

SD-30243-01 (2 PAGES) CIRCUIT REQUIREMENTS (TST CONN)

DESIG CODE	MECH. REQ.	BSP	CONT. ARM. PRES. TRYL	RESID	CIRCUIT PREPARATION		TEST SET	SEE NOTE	DIRECT CURRENT FLOW REQ.	TIME REQ.	REMARKS		
					BLOCK INSULATE	CONNECTION						TEST SET	TIME REQ.
A	221A	726	B	7-11	(B) NO	TST JK1	M	9/10	R	O	FS	15.1	14.8
B	222AR	4	12	SL	(B) NO	TST JK1	M	10	NO	FS	13.9	14.4	
					1.2(A)	3(A)	GRD	1/6	O	FS	8.4	7.9	
					1.2(A)	3(A)	GRD	6	NO	FS	6.9	7.3	
					1.2(A)	3(A)	GRD	7	H	R	NO	FS	300
					1.2(A)	3(A)	GRD	7	NO	FS	6.9	7.3	
B	222AR	500	27	15-4	1.2(A)	3(A)	GRD	1/6	O	FS	8.4	8.3	
					1.2(A)	3(A)	GRD	6	NO	FS	7.7	8.2	
					1.5	3(A)	GRD	7	NO	FS	7.7	8.2	
B	248A	500	27	15-4	1.2(A)	3(A)	GRD	1/6	O	FS	10.5	10	
					1.2(A)	3(A)	GRD	6	NO	FS	8.5	9	
					1.5	3(A)	GRD	7	H	R	NO	FS	333
					1.2(A)	3(A)	GRD	7	NO	FS	7.50	500	
					1.2(A)	3(A)	GRD	7	NO	FS	8.5	9	

TEST NOTES:
 1. FOR USE WHEN TIME REQ. ARE NOT APPLIED.
 2. WHEN TESTING RELAYS, SHORT CIRCUIT SPRINGS "3" AND "4" OF TEST JACK.
 3. SPRING "9" SHALL MAKE CONTACT WITH SPRING "11" WHEN SWITCH IS REMOVED FROM FRAME.
 4. TEST HOLD-USE 1200Ω LOOP IN PULSING TEST SET.
 5. TEST HOLD-USE 1400Ω LOOP IN PULSING TEST SET.
 6. FOR USE WHEN TIME REQ. ARE NOT APPLIED.

7. FOR USE WHEN TIME REQ. ARE APPLIED.
 8. WHEN THE SWITCH IS USED WITH A 2 COND. UPPER BANK, CONDUCTOR WIRES SHALL BE ADJUSTED AS A 2 COND. UPPER BANK. THE TERMINALS OF THE UPPER WIRES SHALL BE OMITTED.
 9. ARMATURE NEED NOT TOUCH CORE.
 10. TEST CONTACT SEPARATION MIN. 3. CONTACT FOLLOW MIN. 8.

SD-30243-01 (2 PAGES) CIRCUIT REQUIREMENTS (TST CONN)

DESIG CODE	MECH. REQ.	BSP	CONT. ARM. PRES. TRYL	RESID	CIRCUIT PREPARATION		TEST SET	SEE NOTE	DIRECT CURRENT FLOW REQ.	TIME REQ.	REMARKS		
					BLOCK INSULATE	CONNECTION						TEST SET	TIME REQ.
D	222D	10	12	S-4	3(VON)	GRD	2/5	10	O	500	115	105	95
					3(VON)	GRD	2/5	4	H	NO	500	85	95
					3(VON)	GRD	4	4	R	NO	500	85	95
					3(VON)	GRD	4	4	R	NO	500	85	95
D	222CK	10	12	S-4	3(VON)	GRD	2/5	10	O	500	90	85	69
					3(VON)	GRD	2/5	4	H	NO	500	62	69
					3(VON)	GRD	3/4	4	R	NO	500	62	69
					3(VON)	GRD	4	4	R	NO	500	62	69
E	222MM	12B	11	S-4	TST JK 8	BAT	6	P/S	O	FS	3.4	3.2	2.7

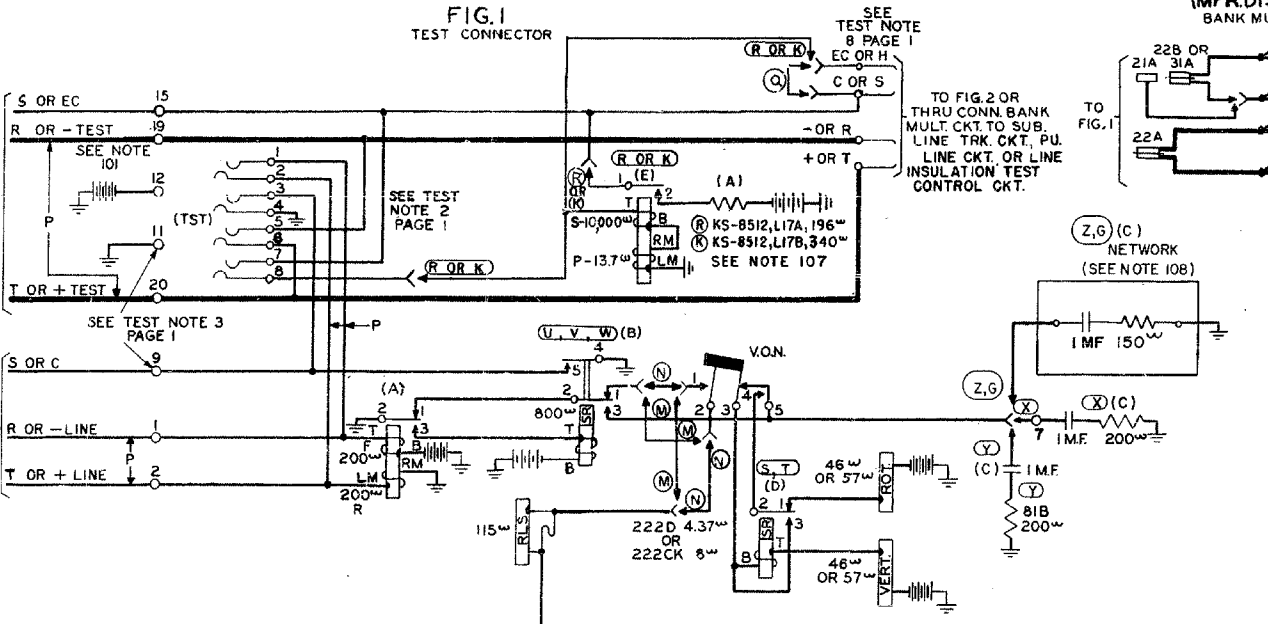
TEST NOTES:
 1. FOR USE WHEN TIME REQ. ARE NOT APPLIED.
 2. THE 222D RELAY IS USED WITH 46Ω MAGNETS, THE 222CK RELAY WITH 57Ω MAGNETS.
 3. TEST HOLD-USE LEAK A IN PULSING TEST SET.
 4. FOR USE WHEN TIME REQ. ARE APPLIED.
 5. FOR MTCE, ONLY WHEN TIME REQ. ARE NOT APPLIED.
 6. CONTACT FOLLOW MIN. 8.

7. FOR USE WHEN TIME REQ. ARE APPLIED.
 8. WHEN THE SWITCH IS USED WITH A 2 COND. UPPER BANK, CONDUCTOR WIRES SHALL BE ADJUSTED AS A 2 COND. UPPER BANK. THE TERMINALS OF THE UPPER WIRES SHALL BE OMITTED.
 9. ARMATURE NEED NOT TOUCH CORE.
 10. TEST CONTACT SEPARATION MIN. 3. CONTACT FOLLOW MIN. 8.

OPTIONS USED

FIGS.	APP. OR WIRING
1	Z
2	Y
	X
	W
	V
	U
	T
	S
	R
	Q
	N
	M
	K
	G

TO TEST DISTRIBUTER TEST BANKS DIRECT OR THRU MISC BANK MULT. CKT.
 TO TEST DISTRIBUTER LINE BANKS DIRECT OR THRU MISC BANK MULT. CKT.



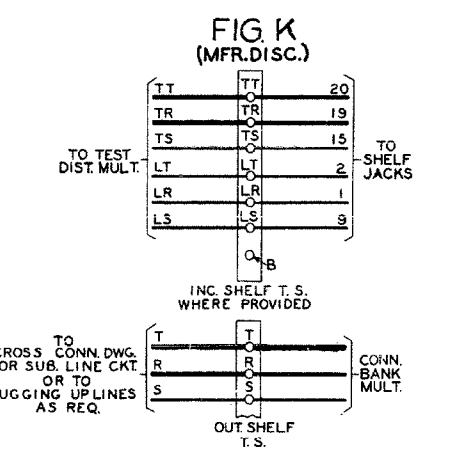
CIRCUIT NOTES: (CONTINUED)

104. RECORD OF FIGURES, WIRING, AND APPARATUS CHANGES

CHANGED ON ISS.	IF JOB RECORDS DO NOT SPECIFY	THIS OPTION WAS FURN.	SEE NOTE	USE IN CIRCUIT
				STD. A&M M.D.
3-B	192K OR 197K SW	192K	197K	192K
3-B	S OR T	T	105	S T
9-D	X OR Y	X		Y X
11-D	U, V OR W	W	105	U V, W
13-D	22B OR 31A BANK	22B BANK	103	31A 22B
14-D	Z	X OR Y		Z Y
16-D	FIG. 2	FIG. 2		FIG. 2
17D	Q OR R	O OR NONE	103 106	Q, R
18D	M OR N	N		M N
19AC	K	Q, R	106	K
20D	K, G OR R, Q, R	107		R
22D	G	Z, Y OR X	108	G Z

242B PLUG JACK
 345 OR 346 JACK
 192K SWITCH INCLUDES 46Ω MAGNETS
 197K SWITCH INCLUDES 57Ω MAGNETS

CIRCUIT NOTES:
 101. PROVIDE ONE 3 AMP FUSE PER CIRCUIT.
 102. PROVIDE ONE 1/2 AMP FUSE PER CIRCUIT. PRIOR TO ISSUE 9-D, NOTE 101 WAS NOT RATED "MFR. DISC."
 103. PRIOR TO ISSUE 4-D, THE "H" AND "S" WIRES WERE NOT STRAPPED AND TEST NOTE B WAS NOT SHOWN ON PAGE 1.
 105. PRIOR TO ISSUE 15-D, LETTERED OPTIONS WERE NOT ASSIGNED TO RELAYS (B) AND (D).
 106. WHEN THIS CIRCUIT IS LOCATED ON A SHELF EQUIPPED WITH HUNTING CONNECTORS SERVING DIAL PBX LINES AND IS USED FOR LINE INSULATION TESTING IN CONJUNCTION WITH AN LIT CONTROL CIRCUIT IN THE SAME BUILDING PROVIDE R OPTION IN OFFICES CONTAINING PLUNGER TYPE LINE SWITCH EQUIPMENT OR K OPTION IN ALL OTHER CASES. PROVIDE Q OPTION WHEN SWITCH USES A SINGLE CONDUCTOR UPPER BANK.



CIRCUIT NOTES: (CONT)

107. WHEN THIS CIRCUIT IS LOCATED ON A SHELF EQUIPPED WITH HUNTING CONNECTORS SERVING DIAL PBX LINES AND IS USED FOR LINE INSULATION TESTING IN CONJUNCTION WITH AN LIT CONTROL CIRCUIT IN THE SAME BUILDING PROVIDE R OPTION WHEN SWITCH USES A SINGLE CONDUCTOR UPPER BANK.

108. THE DIFFERENCE BETWEEN THE (C) NETWORKS IS AS FOLLOWS:
 (Z) 179A
 (G) CONSISTING OF 1-542D CAPACITOR B L-KS13490, L2, RES 150Ω

REPLACING ES-30393-01 AND SD-31772-01

SD-30243-01 1D99

STEP BY STEP SYSTEMS
 NO. 1, 350A, 355A OR 35E 97
 TEST CONNECTOR CIRCUIT
 FOR USE IN TESTING SUBSCRIBER LINES
 AND FOR USE IN VERIFICATION SERVICE

(TST CONN) SD-30243-01

BELL TELEPHONE LABORATORIES, INC.

ISSUE 22D

AT & T CO STANDARD

(A & M ONLY FOR 350A B35E97)

PRINTED IN USA M2