

TO CENTRAL OFFICE, CONCENTRATOR IDENTIFIER
OR AUX LINE (SEE NOTE 106)

PBX SYSTEMS
NO. 557B
CENTRAL OFFICE
SECRETARIAL LINE AND
CIRCUITS
BELL TELEPHONE LABORATORIES
INCORPORATED
65

SD-65729-01-B5

DRAWING ISSUE
 CMA
 10D
 PD
 RPP
 138 KLN
 PEG
 CGG
 M.O. V.P.
 PEG
 JCL
 140 RRB
 H.V.
 17A

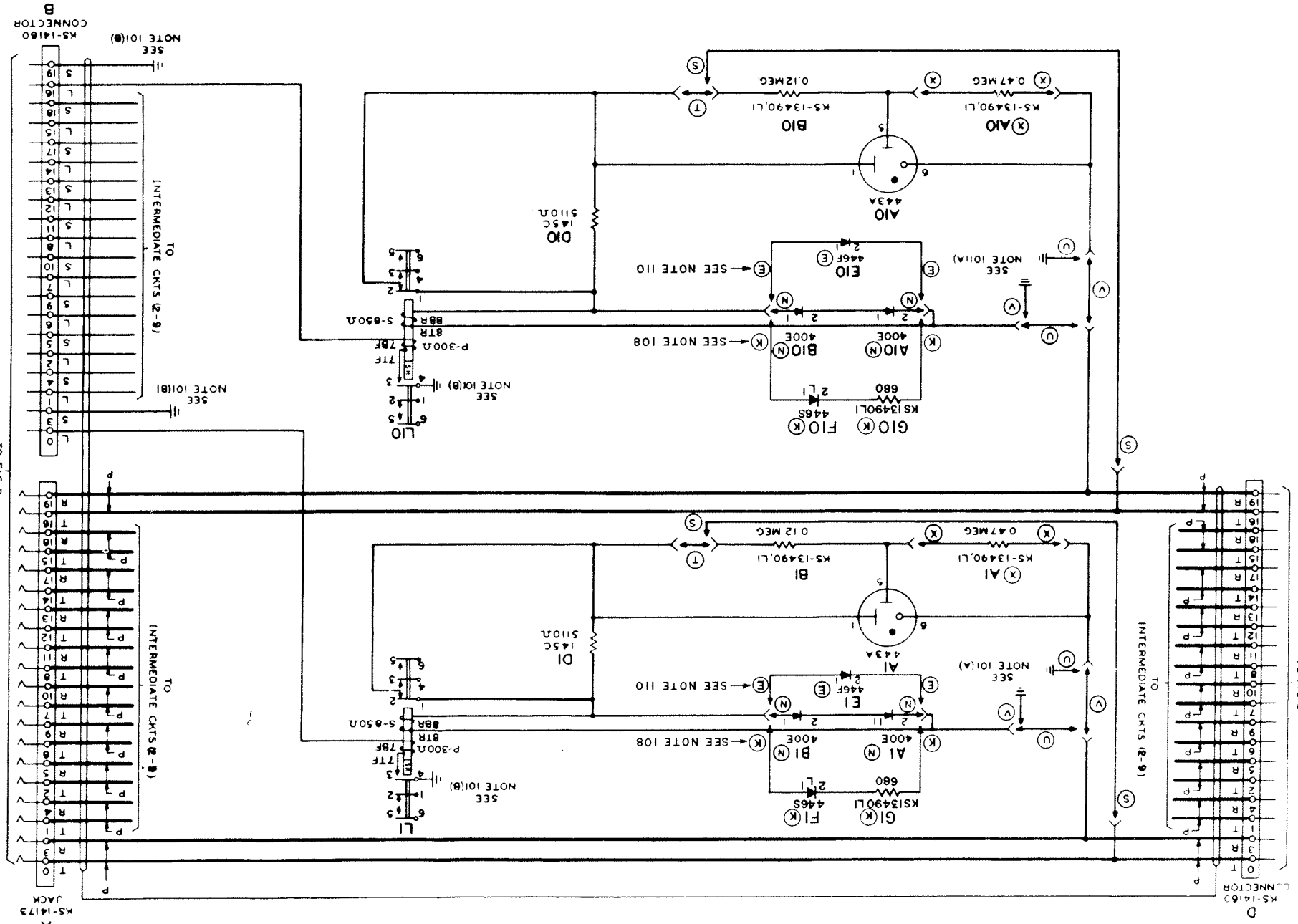


FIG. 11 (SPECIAL)
 SECRETARIAL LINE RELAY CKT
 ARRANGED FOR NON-SECURITY AND LOCKED IN LINE LAMP
 SEE NOTES 103&107

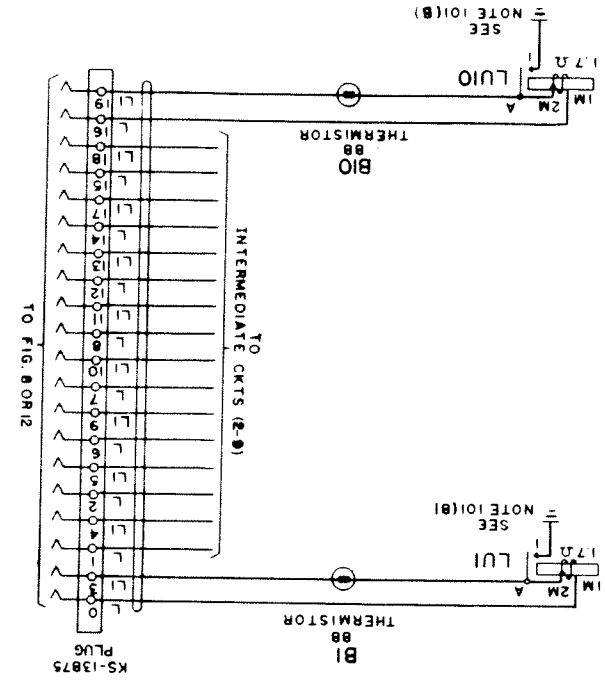


FIG. 9 (SPECIAL)
 SECRETARIAL LINE
 LOCK UP RELAY CKT

PBX SYSTEMS
 NO. 5578
 SECRETARIAL LINE AND
 CENTRAL OFFICE TRUNK
 CIRCUITS
 BELL TELEPHONE LABORATORIES
 INCORPORATED
 65

SD-65729-01-BB