

MELCO PRODUCT BULLETIN . . .

KC-19 Combination Intercom



DESCRIPTION

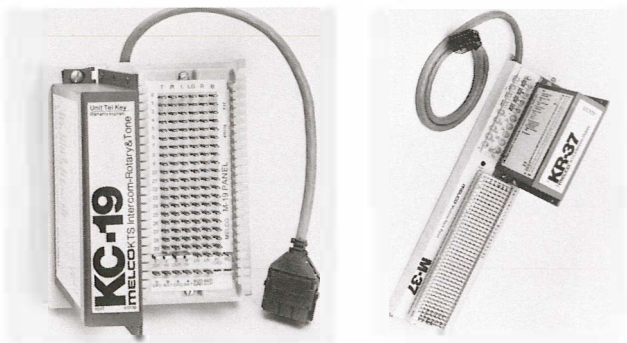
The Melco KC-19 provides nineteen intercom stations with lamp control, bell or buzzer signaling and ringback tone. Compatible with 1A1 and 1A2 type key systems, the KC-19 works with tone and/or rotary dialing telephones.

DESIGN FEATURES

- custom integrated circuitry assures instantaneous selective signaling and high reliability.
- operates from a standard key system power supply.
- when a larger system is desired, the KC-19 can be easily replaced with the Melco KC-37 or expanded with the Melco KC-1018 Expansion Unit and an additional intercom.

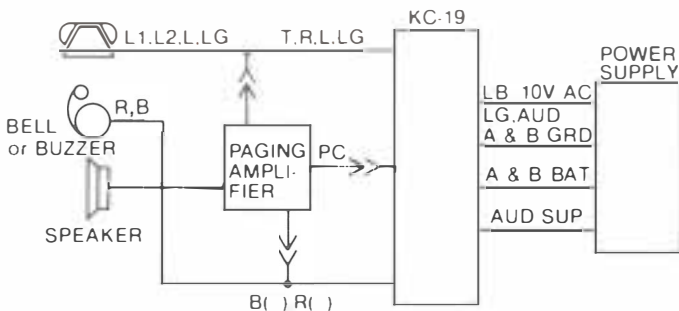


- permits conferencing from tone dialing telephones.
- allows repeatable signaling without hanging up.
- mounts rapidly in an apparatus cabinet, on a relay rack or on a wall.
- can be used with the Melco M-19 or M-37 Modular Panel for rapid installation. The M-19 and M-37 provide prewired connections from the intercom to attached connecting blocks.



- connects through attached plug to a standard 25-pair connector cable.

APPLICATION SCHEMATIC



MAINTENANCE

The KC-19 is covered by a two-year warranty against manufacturing and material defects.

SPECIFICATIONS

- Operating voltage range – 18 to – 28V DC
– 24V DC nom
- Current at – 24V DC idle: 170 ma nom
operated: 350 ma nom
- Loop limits:
rotary 800 ohms
tone 750 ohms

Rotary dial parameters:
dial duty cycle 40% to 80% break
dial speed 8 to 12 pps
interdigital time 200 msec min

Tone dial parameters:
input signal level – 7.5 to + 4 dBm
bandwidth ± 2.0% nom
recognition time 40 msec max
interdigital time 40 msec min

On-hook release time 150 msec ± 10%

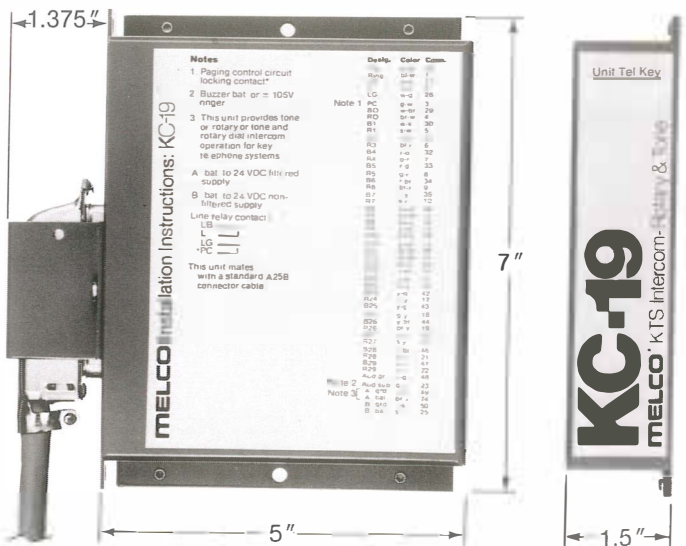
Relay contact ratings:
lamp 2 amps at 10V AC
PC 2 amps at 28V DC
ringing signal 0.5 amp at 10V AC
to 105V AC ringing generator

Signaling period 1.0 second nom

Operating temperature range 0° to 50°C
32° to 122°F

Housing epoxy coated aluminum

Dimensions:



HOW TO ORDER

Order the KC-19 nineteen-station combination intercom through your local supplier or distributor. For more information call or write:

MELCO LABS
14408 N.E. 20th
Bellevue, WA 98007
206/643-3400