

APRIL 1973

TEST SETS

MANUFACTURE
DISCONTINUED

(File as Card 1 on Test Sets)

The manufacture of the following test sets has been discontinued and it is not considered necessary to maintain complete information in the catalogue.

For information on codes not listed below, see other cards on test sets.

Code	Replaced by	Code	Replaced by	Code	Replaced by	Code	Replaced by
1A to D	-	15	-	26A	-	40A	NE-40B
2	-	16A	(a)	27A	-	41A	42A
3	-	17A	17D or E	28A	-	42A	-
4	-	17B	17C	29A	ED62259-02	NE-43A	76A
5A	-	17C to E	(b)	30A	-	44A	-
6A to D	-	18A	-	31A	31B	45A	76A
6E	6D	19A & B	19C	31B	31C	46A	(c)
7A	6D	19C	NE-75B	32E	134A	47A	(d)
8	11A	20A & B	See NE-20C	34A	-	47B	95A
9A	-	NE-20C	-	35A	35C	48A	-
10	-	22A	22B	35C	35D	49A	-
11A to C	-	23A	-	35D	NE-35F	50A	50B
12A	6C	24A	24C	37A	48A & 49A	50B	(e)
13A	6E	24B	24D	38A	NE-81A	51A	-
14A	16A	24C & D	-	39A	-	53A	-

- (a) NE-43A recommended.
 (b) NE-85A, NE-86A, NE-87A, and NE-87B recommended.
 (c) 78A plus 107A amplifier and 47B test set.
 (d) 47B recommended.
 (e) D-178792 recommended.



APRIL 1973

TEST SETS

MANUFACTURE
DISCONTINUED

(File as Card 2 on Test Sets)

Code	Replaced by	Code	Replaced by	Code	Replaced by	Code	Replaced by
NE-55A	(a)	72A & B	(e)	NE-92A	-	1019A	1019C or 1119C
56A	-	NE-75A	NE-101A	95A	-	1019C	(j)
57A	-	NE-75B	(f)	99A	NE-99B	1020A	1020C or 1120C
60A & B	-	76A	76B	103A	-	1020B	-
NE-62A	(b)	76B	NE-76C	105A	NE-105C	1020C	(k)
NE-62AN	-	78A	99A	105B	NE-105D	1030A	-
NE-63A	(c)	79A	79B	NE-106A	NE-106AQ1A	1075A	-
66A	NE-81A	79B	NE-79C	NE-108A	NE-108QA	1119C	(j)
67A	NE-67B	NE-79C	79D	1006A to E	-	1120C	(k)
NE-67B	NE-67C	NE-85A	-	1017A	1017B	1175A	-
68A	-	NE-86A	-	1017B	1017C	6044A	-
69A	-	NE-87A & B	(g)	1017C	(h)	6074A	-
70A	-	89A	NS8455	1017E	(h)	6077A	-
71A & B	(d)						

- (a) NE-52E head telephone set.
 (b) NE-55A plus NE-516A capacitor.
 (c) NE-52D head telephone set.
 (d) NE-71C recommended.
 (e) NE-72C recommended.
 (f) NE-101B recommended.
 (g) NE-107A (non-dial) or NE-107B (dial).
 (h) NE-85A, NE-86A, NE-87A, and NE-87B recommended.
 (j) NE-75B plus NE-R2FA cord (4 feet), NE-723A receiver, and NE-15A headband recommended.
 (k) NE-20C and NE-75B plus NE-R2FA cord (4 feet), NE-723A receiver, and NE-15A headband recommended.



APRIL 1973

TEST SETS

MANUFACTURE
DISCONTINUED

(File as Card 3 on Test Sets)

Code	Replaced by	Code	Replaced by
N1A to D	-	N11A	-
N2A	-	N21A	-
N2C	-	N22A	-
N3B	-	N23A	-
N4A	-	N24A	-
N4C	-	N25A	-
N9A to G	-		



NE-32B:

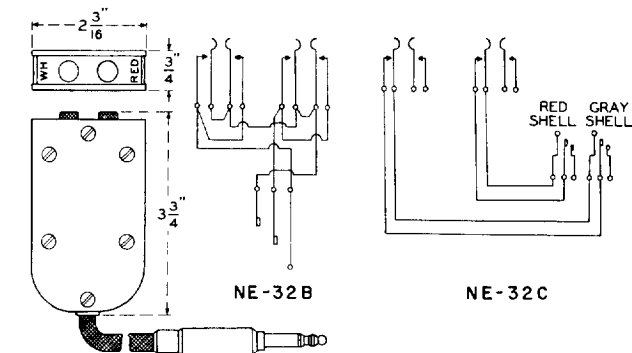
Consists of an NE-508A key, an NE-W3K (6 ft long) and an NE-109 plug.

Intended for use with test line circuit for testing trunks in manual offices.

NE-32C:

Consists of an NE-508A key, an NE-W4K (10 ft long) cord and two NE-110 plugs.

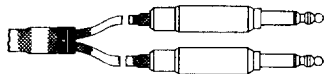
Intended for use with the NE-35C test set where remote control is desired.



NE-32B

NE-32C

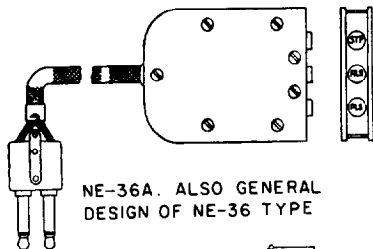
NE-32B ALSO GENERAL DESIGN
AND DIMENSIONS OF NE-32 TYPE



NE-32C

Code	Rating
NE-32B	Standard
NE-32C	"





NE-36A. ALSO GENERAL
DESIGN OF NE-36 TYPE

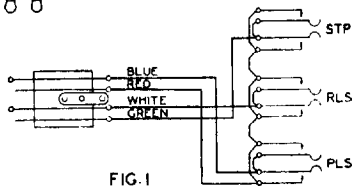


FIG 1

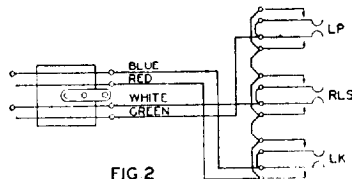


FIG 2

Intended for use in making routine tests in step-by-step dial offices.

Consist of:

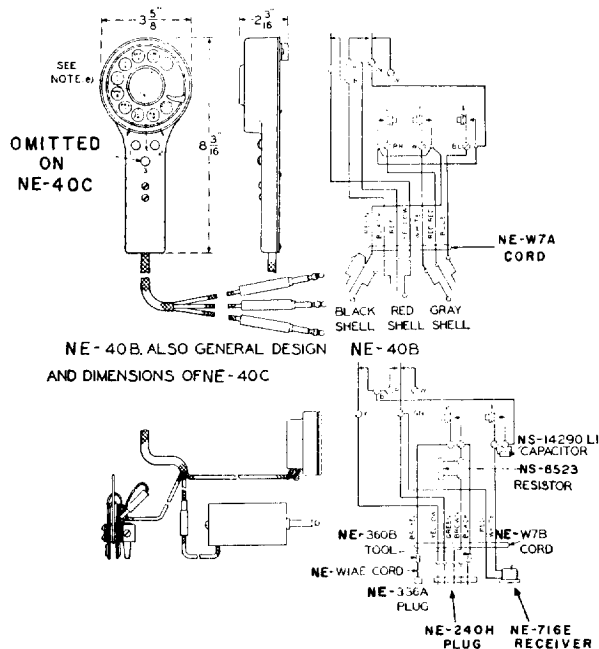
One NE-521 type key(as indicated in table)

One NE-W4AF cord

One NE-289B plug

Code	Figure	Uses Key	Rating
NE-36A	1	NE-521A	Standard
NE-36B	2	NE-521B	"





Each consists of a housing on which are mounted control buttons and the apparatus listed below.

Arranged for carrying on a key ring hook or for hanging on a nail.

NE-40B:

Intended for use to provide remote control and dialling for test sets.

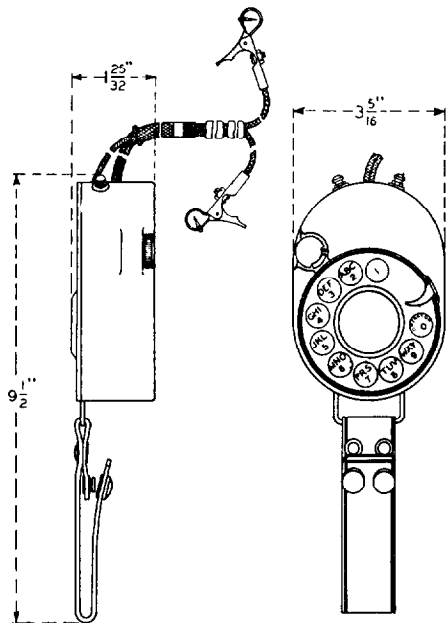
NE-40C:

Intended for making selector rotary tests in step-by-step systems.

Code	Dial	Cord	Plugs	Receiver	Rating
(e)NE-40B	NE-6E	NE-W7A	(a)3 - NE-31	-	Standard
(d)NE-40C	NE-6E	NE-W7B	(b) NE-240H (c) NE-336A	NE-716E	"

- Plugs are equipped with one black, one red, and one grey shell.
- Employs an NE-360B tool in connecting to the cord.
- Employs an NE-360B tool and an NE-W7A cord for connecting to the cord.
- Also equipped with a NS-8523 resistor and an NS14290 L1 capacitor.
- If designations in addition to the numbers 1, 2, and 3 are desired for the control buttons they should be specified in the order and should not exceed four characters each.



**NE-52A:**

Consists of a metal housing equipped with an NE-6A dial having terminals "BB" and "R" strapped, an NE-152A capacitor, which may be short-circuited by means of a turn button switch, one NE-W2AF cord, three NE-M1W cords and a leather strap for attaching to a belt.

Intended to operate, together with an NE-52E head telephone set, as a dialling and communicating set by installers, repairmen, linemen, cable splicers and central office maintenance men in dial areas.

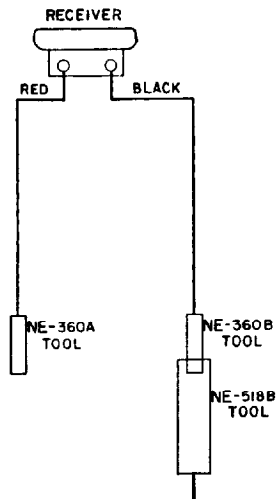
NE-52B:

Same as NE-52A except that it is provided with an NE-S2M cord equipped with an NE-310 plug instead of the NE-W2AF cord, and dial terminal "BB" is strapped to "BK" instead of to "R".

Intended for use with D1 alarm and control circuits and order wire circuits.

Code	Rating
NE-52A	Standard
NE-52B	"



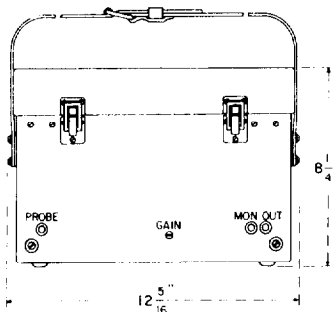
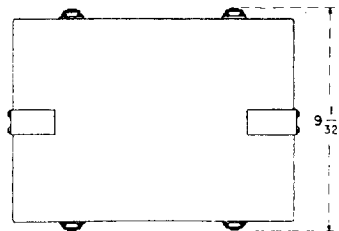


Consists of an NE-509 receiver, NE-15D headband, NE-360A and B tools, NE-518B tool assembled together with an NE-W2CJ cord.

The NE-518B tool is equipped with a switch which when depressed shunts the 50,000 ohm resistance in the NE-518B tool out of the circuit.

Intended for use on distributing and apparatus frames in manual and dial central offices.





Battery-operated detector intended to pick up a 300 kHz signal from the NE-72C test set and convert it into an audible signal in identifying working wires in a cable without removing the wires from service in types J1, K, NE-L and N carrier telephone systems. Provision is made for listening to the tone by means of a talking pair and the headphone of the cableman's talking set.

Consists of miscellaneous apparatus mounted on a metal chassis and enclosed in a metal box provided with a removable cover. Trays for the batteries required to operate the set and a container for a total of three spare electron tubes are provided inside the box. The cover of the box provides storage space for two equipped cords which are described below.

The 300 kHz signal supplied by the NE-72C test set is picked up by an inductive probe NE-572B tool, and the audio frequency component is fed to an output jack.

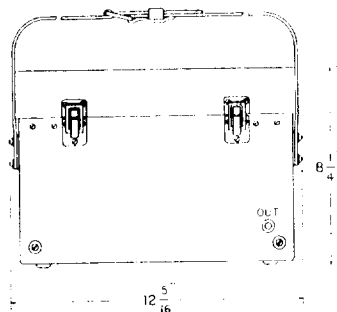
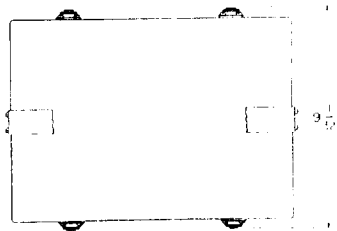
The following apparatus required for operation of this set is furnished:

- 1 - NE-W2CC cord equipped with one NE-310 plug.
- 1 - NE-W2EH cord equipped with one NE-347B plug, and one NE-572B tool.
- 2 - RCA type 1N5GT electron tubes.
- 1 - RCA type 3Q5GT electron tube.

The following apparatus is not furnished and must be ordered separately:

- 1 - NS14367 battery.
- 4 - NS6571 batteries (24 volts).





Battery-operated crystal controlled oscillator, the output of which consists of a unmodulated carrier frequency of 300 kHz \pm 100 hertz.

Consists of miscellaneous apparatus mounted on a metal chassis and enclosed in a metal box provided with a removable cover. Trays for the batteries required to operate the set are provided inside the box. The cover of the box provides storage space for an equipped cord which is furnished for connecting the output of the set between the cable wire to be identified and ground. Controls for adjusting the amount of output, and for tuning the output are accessible when the inside cover is removed.

The following apparatus required for operation of this set is furnished:

- 1 - NE-W2CC cord equipped with one NE-310 plug.
- 1 - RCA type 3Q5GT electron tube.
- 1 - RCA type 1N5GT electron tube.

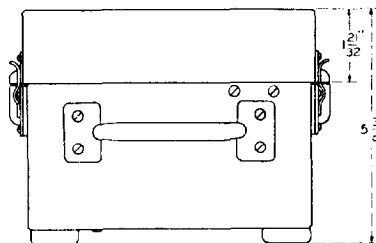
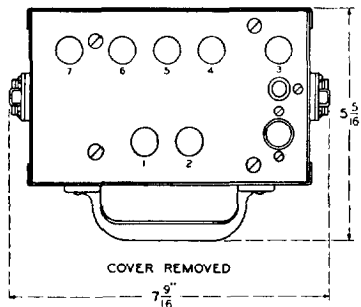
The following apparatus is not furnished and must be ordered separately:

- 1 - NS14367 battery.
- 3 - NS6571 batteries (24 volts).
- 2 - NS6569 batteries.

Storage space for spare electron tubes is provided in the NE-71C test set.

Intended for use with the NE-71C test set in identifying working wires in a cable without removing the wires from service in types J1, K, NE-L, and N carrier telephone systems.



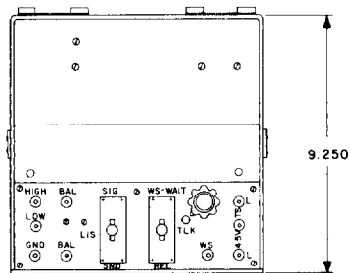


Consists of a variable ratio repeating coil, a nonlocking push button key, a switchboard signal lamp and binding posts mounted on a metal panel and enclosed in a grey enamelled metal box.

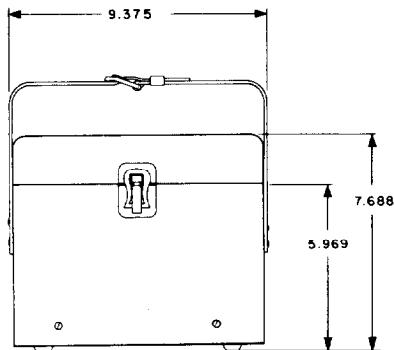
The cover of the box provides storage space for two NE-WIAD cords which are furnished for connecting the apparatus to be tested with the proper binding posts on the test set.

Intended for use in conjunction with a 1000 hertz, 600 ohm, 1 milliwatt source of testing current and a 600 ohm transmission measuring set, for field checking of electrolytic capacitors ranging in capacity from approximately 8 uF to 2000 uF.





COVER REMOVED



Battery-operated electron tube oscillator intended for use by cable splicers on exchange and toll cable for identification of cable wires and for other tone testing purposes.

Provides a 500 hertz tone modulated at a 7 hertz rate. A dc relay arrangement for identification of cable wires through wet spots and a calling-in signal arrangement are also provided.

Consists of apparatus assembled on a metal chassis and enclosed in a metal case. Trays for the batteries required and storage space for a splicer's talking set are provided in the case. Eight spring type binding posts provide input and output connection.

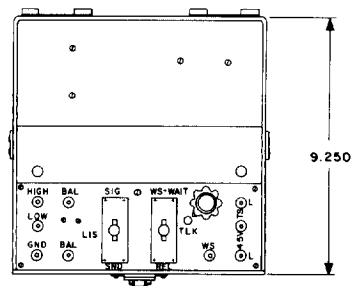
The following electron tubes are furnished with each set:

- One RCA type 3V4 electron tube or equivalent
- One RCA type 1R5 electron tube or equivalent

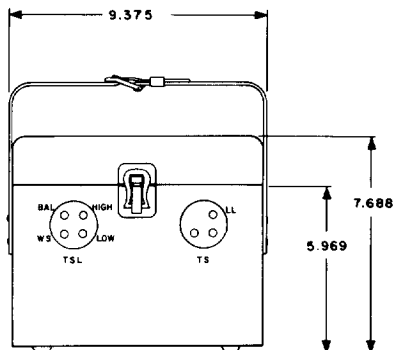
The following batteries, which are required for operation, are not furnished and must be ordered separately:

- Two NS-6570 batteries
- Two NS-6571 batteries





COVER REMOVED



Battery-operated electron tube oscillator intended for use by cable splicers on exchange and toll cable for identification of cable wires and for other tone testing purposes.

Provides a 500 hertz tone modulated at a 7 hertz rate. A dc relay arrangement for identification of cable wires through wet spots and a calling-in signal arrangement are also provided.

Consists of apparatus assembled on a metal chassis and enclosed in a metal case. Trays for the batteries required and storage space for a splicer's talking set are provided in the case. Nine spring type binding posts and seven miniature type telephone jacks, wired in parallel, provide input and output connections, and permit the use of either patch cord or direct wire hook-up.

The following electron tubes are furnished with each set:

One RCA type 3V4 electron tube or equivalent

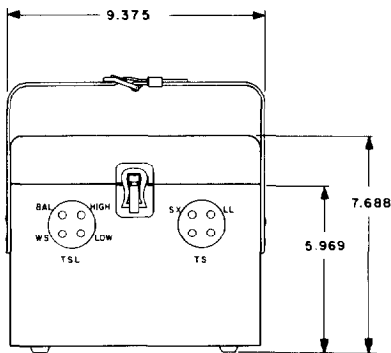
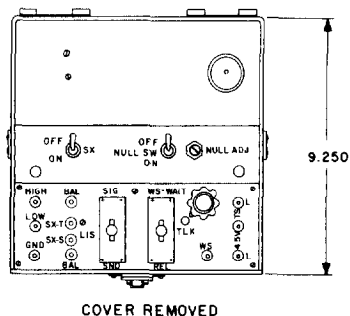
One RCA type 1R5 electron tube or equivalent

The following batteries, which are required for operation, are not furnished and must be ordered separately:

Two NS-6570 batteries.

Two NS-6571 batteries.





Battery-operated electron tube oscillator intended for use by cable splicers on exchange and toll cable for identification of cable wires and for other tone testing purposes.

Provides a 500 hertz tone modulated at a 7 hertz rate. A dc relay arrangement for identification of cable wires through wet spots and a calling-in signal arrangement are also provided.

Equipped with "Simplex" circuit which permits the use of the test set on all types of cable pair circuits, non-loaded subscriber line, non-loaded cable carrier pairs, loaded subscriber and trunk cable pairs and on special circuits on a non critical nature such as FX (foreign exchange) lines. With the "Simplex" all cable pair circuits which are balanced, shall give no indication to the subscriber that the tone is applied. If the cable pairs are unbalanced due to trouble conditions, the applied tone shall "spill over" into the metallic circuit.

Consists of apparatus assembled on a metal chassis and enclosed in a metal case. Trays for the batteries required and storage space for a splicer's talking set are provided in the case. Ten spring type binding posts and eight miniature type telephone jacks, wired in parallel, provide input and output connections, and permit the use of either patch cord or direct wire hook-up.

The following electron tubes are furnished with each set:

One RCA type 3V4 electron tube or equivalent

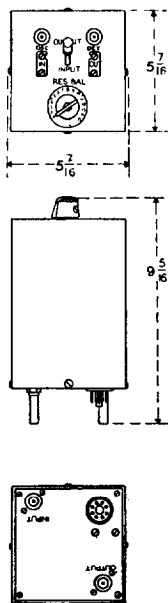
One RCA type 1R5 electron tube or equivalent

The following batteries, which are required for operation, are not furnished and must be ordered separately:

Two NS-6570 batteries

Two NS-6571 batteries





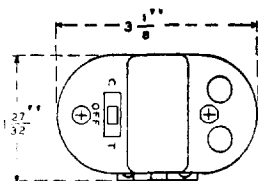
Consists of a comparison type bridge and a power load enclosed in a black finished metal box. Two coaxial type jacks, a lever type key handle, and a variable resistor knob are at one end of the box, and two coaxial type plugs and an octal type plug project from the opposite end of the box. The octal plug and associated resistors, which are connected to the plug, simulate the power load of the amplifier involved in the test.

Intended for use at a frequency of 3 MHz.

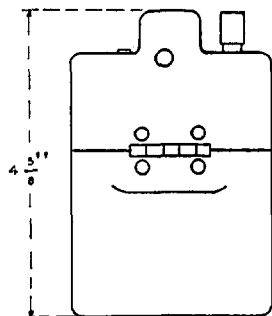
Forms part of the NE-6077A test set.

Intended for use in conjunction with a NE-21A oscillator and a suitable detector in adjusting the input and output building-out capacitors on repeater or amplifier panels of type NE-L carrier telephone systems.



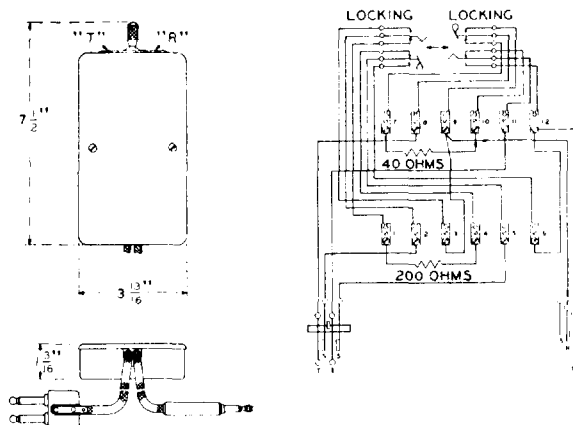


Consists of a buzzer, capacitor and switch which are contained in a case made of insulating material. The case is equipped with two spring type binding posts to which test leads may be connected. Space is provided within the case for two NS-6522 dry cells, which are required for the operation of the test set, but are not furnished and must be ordered separately.



Intended for use in testing continuity and pairing of wires in prewired homes and offices. In combination with the MD3016 test set is used to trace dead drop block, on inside wall wiring.





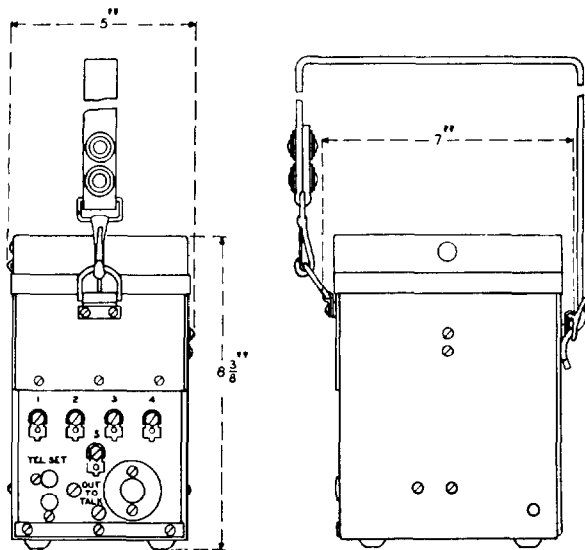
Portable test set intended for use with transmission measuring sets for transmission tests of operators telephone circuits.

Consists of a wired assembly of:

- 1 - NE-6017E key
- 1 - NE-M4S cord (6 ft long) equipped with
 - 1 - NE-289B plug
- 1 - NE-W2DJ cord equipped with
 - 1 - NE-310 plug
- 1 - NE-106B resistor (40 ohms)
- 1 - NE-106B resistor (200 ohms)
- 1 - NE-98A designation strip.

The two locking operated positions of the key are designated "T" (transmitting) and "R" (receiving).





Consists of an induction coil, capacitor, key, two jacks, three resistors and five binding posts in a metal box provided with a hinged cover and adjustable carrying strap. The binding posts, jacks and key are accessible from the outside of the box. Compartments are provided inside the box for storing accessories and a battery.

One NS-6570 battery and one NE-52N head telephone set are required for operation of this test set. These are not furnished with the set and must be ordered separately.

Intended for use by cablemen for intercommunicating on repeated and non-repeated talking circuits, for making dc continuity test, and for testing gas pressure contactors.



Consists of the following apparatus:

- 1 NS-14132 carrying case (for carrying apparatus listed below)
- 1 NE-147B amplifier
- 1 NE-2W4A cord equipped with an NE-723A receiver and an NE-15A headband
- 1 NE-W2BJ cord equipped with an NE-347B plug and an NE-513A tool

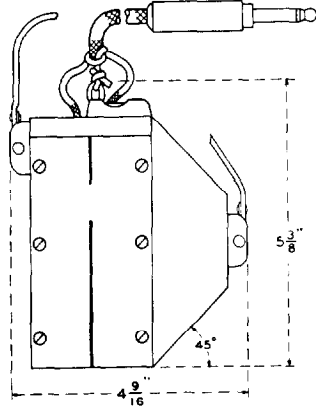
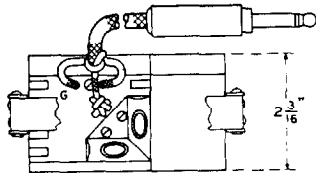
Primarily intended for use in identifying wires in toll and exchange cables. Can be used, with an NE-101B test set, for running down conductor troubles in cables. Can be used, with an NE-93A test set, for tracing the path of buried cables. Can also be used, with an NE-79C test set, in identifying coaxial cable conductors in toll cables to determine whether coaxial tube is energized, and in identifying cable wires, where magnetic type of probe is necessary such as multiple battery feeds in private branch exchanges.

The electron tubes required for the operation of this test set are furnished as part of the NE-147B amplifier.

The following batteries are required for operation of the test set, but are not furnished, and must be ordered separately:

- 1 Eveready No. 1016
- 1 Eveready No. 412



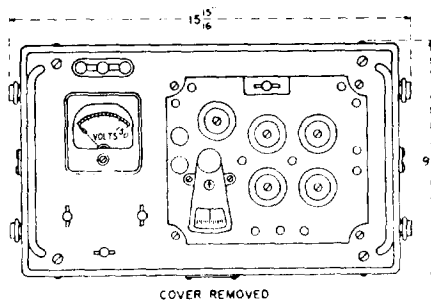


Consists of a single winding coil on a straight iron core enclosed in a wooden case provided with a carrying strap. Equipped with 2 bubble level, and a NE-W2CG cord and a NE-347B plug for making external connections.

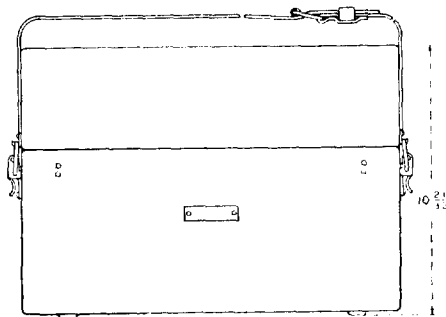
Utilizes a tracing current supplied by a tone source such as a NE-20C or NE-76 type test set.

Intended to be used in conjunction with an audio-frequency tracing current for determining the position and depth of buried cables and wires. Placed vertically for determining position and at an angle of 45 degrees for determining depth.





COVER REMOVED



Portable test set.

Consists of a voltmeter and a Wheatstone bridge unit, with associated apparatus for supplying dc and ac bridge potentials, mounted on a metal panel and enclosed in a metal case, provided with a removable cover and a carrying strap.

Contains a compartment for the batteries and one for storing the cord and battery leads.

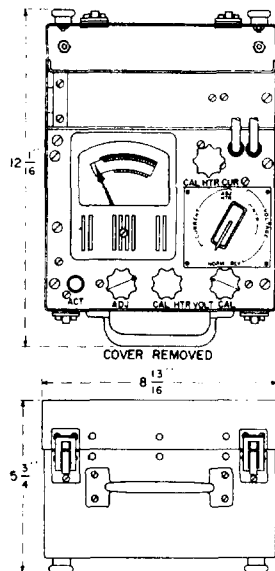
The following apparatus required for the operation of this set is furnished:

- 1 - NE-W3AG cord
- 6 - P340034 battery leads.

Seven NS6571 batteries are required for the operation of this set but are not furnished and must be ordered separately.

Intended for use in making insulation resistance tests and locating faults, including opens, in telephone cables.





This is a special test set for in-service measurement of ac heater voltage, dc plate voltage, and amplifier and regulator plate currents in the L1 carrier system. Internal provision is also made for loading repeater heater circuits to reduce heater voltage for an activity test.

Has a multi-scale dc milli-voltmeter with appropriate series and shunt resistors for making dc measurements. Can also be used to measure calibrating voltages applied to two thermocouples (furnished as part of set) and as an indicating meter when measuring with thermocouples. The thermocouples are used for ac measurements. A rotary switch is used to set up the circuit combinations for calibration and measurement, permitting measurements to be made immediately after calibration.

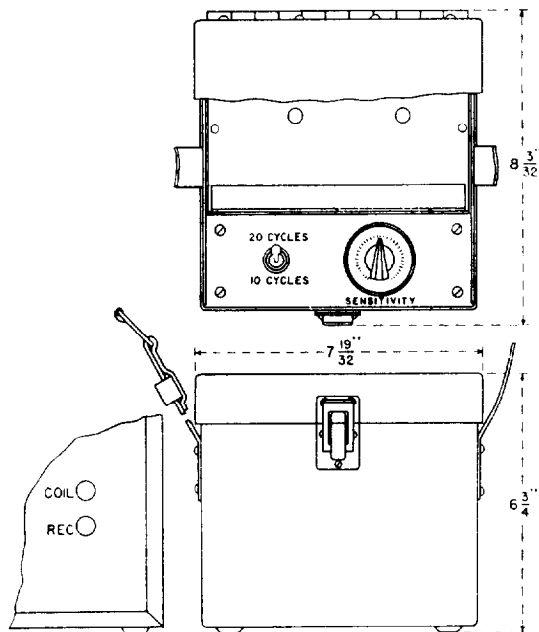
Has a dc voltage range of 40 to 200 volts; dc current ranges of 4 to 20 milliamperes and 10 to 50 milliamperes; an ac voltage range of 3 to 7.5 volts and an ac current range of 0.6 to 1.1 amperes.

Consists of component apparatus assembled on a metal panel and enclosed in a metal box having a removable cover. An NE-W6E cord equipped with a PM8 cable type, male Amphenol octal connector with RPH rubber plug handle, and an NE-W2CR cord equipped with an NE-310 plug are provided. Contains a compartment for dry cells and another for storing the cords and plugs.

Two NS6570 batteries are required for operation of this set but are not furnished and must be ordered separately.

Intended for use in measuring power supply voltages and currents in the type L carrier telephone system.





Portable test set. Intended for use as a tuned amplifier-detector, in conjunction with an NE-95B test set (exploring coil), an NE-723A receiver, an NE-15A headband and an NE-R2CF cord equipped with an NE-310 plug, in running down cable faults in long or loaded cable.

Component apparatus is assembled in a metal case provided with a hinged cover and a carrying strap. Contains a compartment for batteries and one for storing the receiver, test set, cord and headband which are not furnished and must be ordered separately.

Equipped with an NE-223A jack for connection to the NE-95B test set and an NE-324C jack for connection to the receiver through the plug and cord.

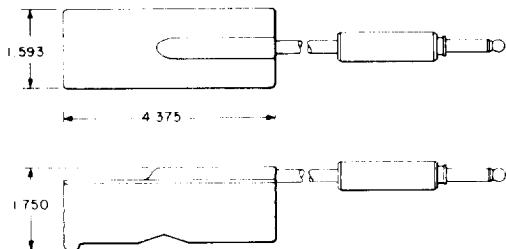
Requires a 20 hertz tracing current from a ringing generator or a 10 hertz current from a special source.

The following electron tubes required for the operation of this set are furnished:

- One RCA type 1R5
- One RCA type 1T4
- One RCA type 1U4

Two NS-14369 batteries and two NS-14495 batteries are required for operation, but are not furnished and must be ordered separately.





Each consists essentially of an exploring coil enclosed in a cast resin block. A 6 foot long cord equipped with an NE-347A plug is permanently connected to the coil within the block.

Intended for use as a magnetic pickup for audio frequency tracing currents for running down faults in cables.

Utilizes tracing current supplied by tone source such as the NE-76 type test set.

NE-101A:

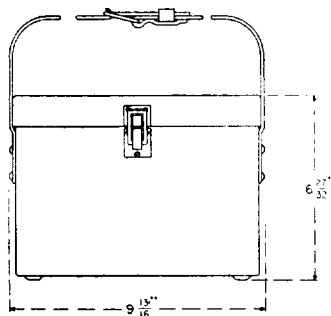
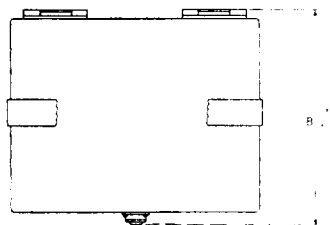
High impedance test set intended for use in conjunction with a 107A amplifier and a head receiver.

NE-101B:

Low impedance test set intended for use in conjunction with an NE-147B type amplifier and a head receiver.

Code	Rating
NE-101A	Standard
NE-101B	"





Portable test set. Provides a means for automatically checking circuit continuity during splicing operations when transferring telephone circuits from one pair to another during a cable cut-over, without interrupting continuity of the telephone circuits and without objectionable reaction on any type of service, exclusive of program transmission.

May be used on both toll and exchange cable during cut-overs of carrier circuits where there is little opportunity to transfer on a pair when all channels are idle on that pair.

Operates as an 85 hertz oscillator in the continuity testing portion of circuit and as a 1000 hertz oscillator in the audio output portion.

Produces a signal audible in a head receiver when continuity is established during various phases of splicing operations.

Component apparatus is assembled in a metal case provided with a hinged cover and a carrying strap. Contains a compartment for batteries and one for storing cords.

The following apparatus required for operation of this set is furnished:

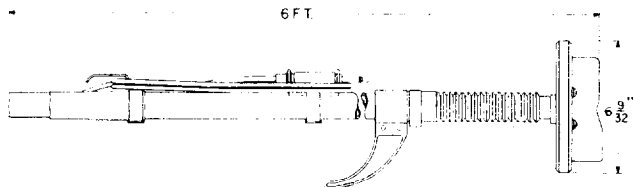
- 1 - NE-W1AN cord
- 1 - NE-P2CG cord equipped with two NE-310 plugs with black shells
- 2 - NE-W2CC cords equipped with a NE-310 plug with black shell
- 1 - RCA type 1R5 electron tube
- 2 - RCA type 1U4 electron tubes.

Two NS14369 and two NS14495 batteries are required for operation, but are not furnished and must be ordered separately.

Intended for use on cut-overs of cable sections up to approximately 120 ohms loop resistance.



NE-105 TYPE TEST SETS

SEE RATINGS
BELOW

Each consists of an exploring coil mounted on an insulated extension handle and equipped with an NE-W3AM cord. The corrugated section is flexible to permit positioning of the coil. The hook permits hanging the test set on a strand or cable. The length of the test set can be increased by adding one or two CT-6600 small tree pruner extension sections.

Intended for use as a magnetic pickup for audio frequency tracing currents in running down faults in cables.

Utilizes tracing current supplied by a tone source such as the NE-76 type test set.

NE-105C:

High impedance test sets intended for use in conjunction with an NE-147B amplifier and a head receiver.

NE-105D:

Low impedance test sets intended for use in conjunction with an NE-147B amplifier and a head receiver.

Code	Rating
NE-105C	Standard
NE-105D	"



Portable test set.

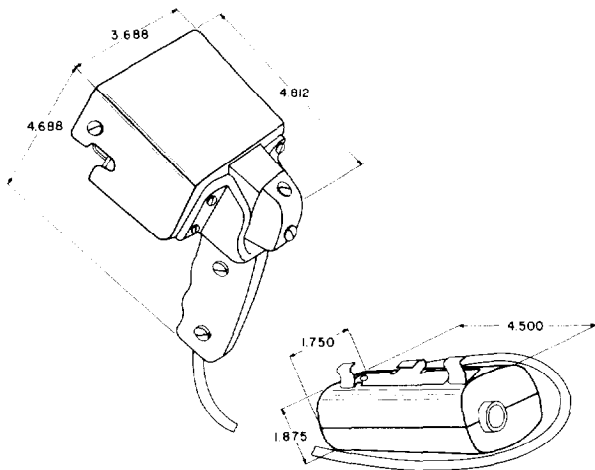
Insulated for protection of the user against high voltages.

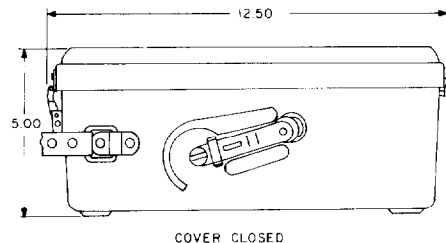
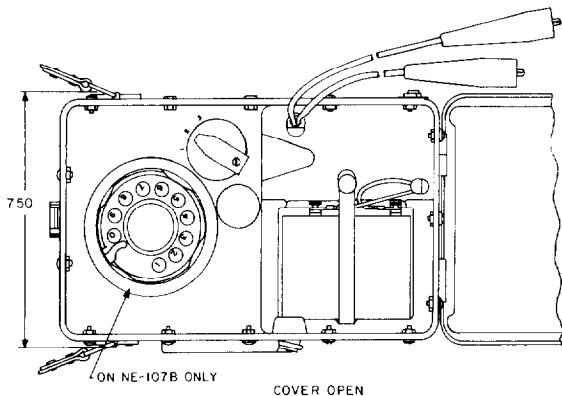
Consists of an exploring coil unit assembled in a housing of insulating material having a pistol grip connected by means of a 6 foot cord to a switch box of insulating material containing a push-button key and terminated in an NE-238A jack.

Over-all dimensions of the exploring coil unit are 4.688 inches high by 3.688 inches wide by 4.812 inches long and those of the switch box are 1.875 inches high by 4.500 inches long by 1.750 inches wide.

Intended for use with the NE-107 type test set for making directional fault location tests for grounds, shorts and crosses on open wire circuits.

Replaces NE-106A test set.



**NE-107A:**

Portable test set housed in a case of insulating material. Contains sufficient space for storing the head telephone set and battery required for operation.

Insulated for protection of the user against high voltages.

Consists of a hand-operated ringing generator and talking facilities and contains a filter to permit use on carrier circuits.

The following apparatus is required for operation but is not furnished and must be ordered separately:

- One NS-6570 battery
- One NE-53F head telephone set

Provides local and common battery talking facilities when used with the head telephone set, 20 and 135 hertz ringing facilities, and a test tone for directional fault locating with the NE-106AQ1A test set.

Equipped with 6 foot leads terminated in insulated clips for connection to open wire lines, and a jack for connection of the head telephone set.

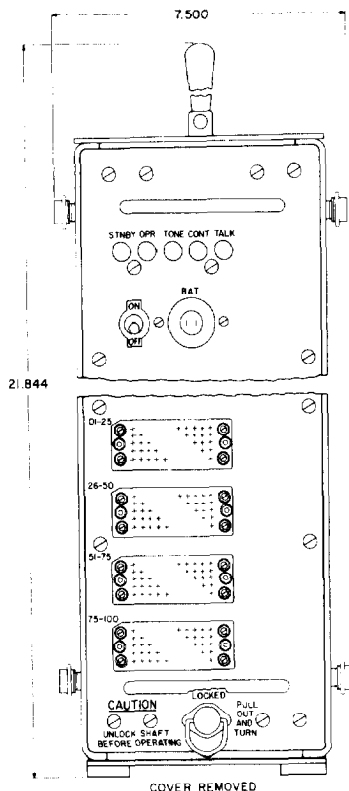
Intended for use by linemen for talking and testing on open wire lines.

NE-107B:

Same as NE-107A except that it is provided with P97R400 adapter and dial assembly.

Code	Rating
NE-107A	Standard
NE-107B	"





Portable test set.

Consists of an NE-197 FW switch, relays, jacks, a plug, and miscellaneous apparatus mounted on a metal panel and housed in a metal case provided with a removable cover and carrying handle. Four NS-19163 L4 connectors are provided on the front panel and arranged to mate with plugs on NE-P100 type cords.

Overall depth is 14 inches.

Requires a source of 45 to 52 volts dc for operation.

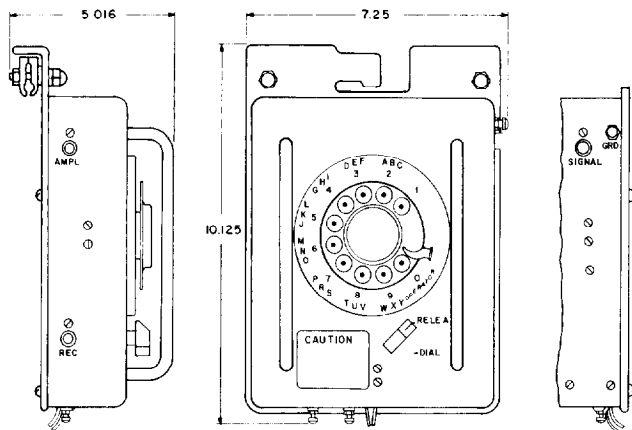
Test cords are not furnished.

Provided with a guard rail, not shown in illustration, which is arranged to mount on the guard rail of the main frame to protect the set from being accidentally struck by the main frame ladder.

Intended to provide, in conjunction with NE-109A test set, means for a splicer to identify up to 100 cable pairs terminated at main frame.

Replaces NE-108A test set.



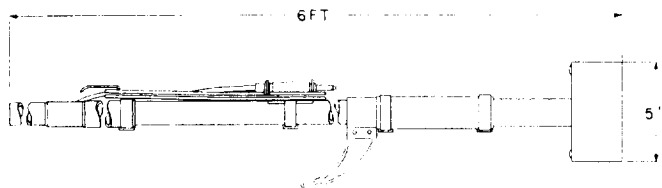


Intended for use, in conjunction with an NE-108QA test set, in identifying cable pairs by one man.

Consists of an NE-425QE1 network, an NE-100A varistor, a QDB1A dial, an NE-584A key, an NE-547B key, two NE-238A jacks for connection to an amplifier such as an NE-147B and a receiver such as an NE-723A, and terminals for connection to an NE-52E head telephone set. Component apparatus is mounted on a metal chassis that is assembled to a metal plate arranged for suspension from a strand or cable. Equipped with an NE-W2AF cord for connection to a cable pair.

Provided with an NE-P3E cord, 3 feet long, equipped at each end with an NE-310 plug for connecting to the amplifier.





Consists of an exploring unit mounted on insulated extension handle and equipped with an NE-W3AM cord. The hook permits hanging the test set on a strand or cable. The length of the test set can be increased by adding one or more CT-6600 small tree pruner extension sections.

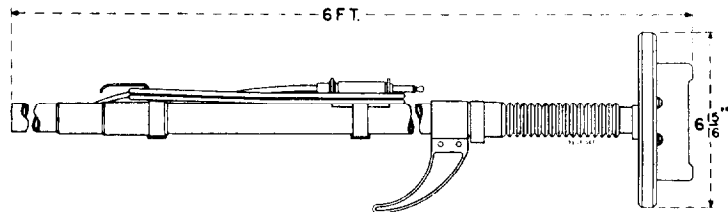
High impedance test set for use in conjunction with an NE-147B amplifier.

Intended for use as a capacitive pickup for locating opens in multiple line wire.

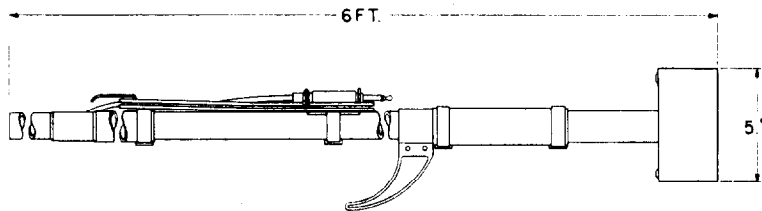
A coupling of heavy-duty rubber tubing minimizes damage to probe end.

Utilizes tracing voltage supplies by the NE-76C, CX, QA test set or equivalent.





NO. 110A



NO. 111A

Each consists essentially of an exploring unit mounted on insulated extension handle and equipped with a W3AM cord. The hook permits hanging the test set on a strand or cable. The length of the test set can be increased by adding one or more AT-6600 small tree pruner extension sections.

No. 110A: Low impedance test set for use in conjunction with a No. 99B test set and a head receiver.

Intended for use as a magnetic pickup for low frequency tracing currents in running down faults in long or loaded cables.

An insulated flexible coupling facilitates positioning of the exploring unit.

Utilizes tracing current supplied by a 20 cycle ringing generator.

No. 111A: High impedance test set for use in conjunction with a No. 147 type amplifier.

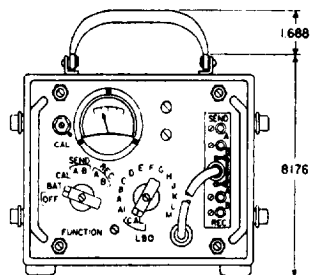
Intended for use as a capacitive pickup for locating opens in multiple line wire.

A coupling of heavy-duty rubber tubing minimizes damage to probe end.

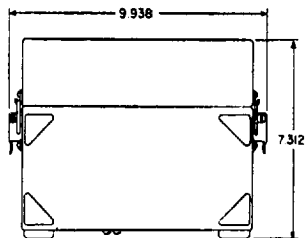
Utilizes tracing voltage supplied by the No. 76C test set or equivalent.

Code No.	Rating
110A	NOT MANUFACTURED
111A	Standard





COVER REMOVED



Portable test set intended to measure the transmission loss of exchange area cable pairs at 650 kHz.

Consists of a microammeter, potentiometer, two switches, resistors, an oscillator, and a tuned detector mounted on a metal panel and enclosed in a metal case provided with a removable cover and a carrying handle. Also contains a probe, connected to the test set by means of a 6 foot cord, which fits into a well in the panel.

Space is provided within the case for two P.R. Mallory & Co. No. 302478 or equivalent batteries which are required for the operation of this set but are not furnished and must be ordered separately.

Initial use: NE-T1 carrier telephone system.



Intended for use in adjusting the input and output building-out capacitors on repeater or amplifier panels of type L carrier telephone systems.

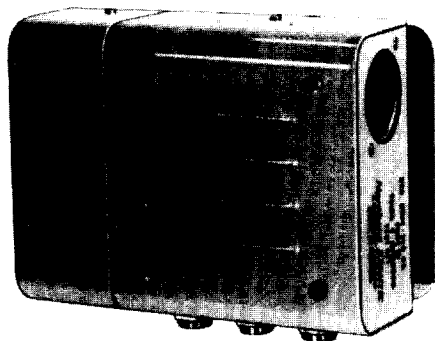
Consists of the following apparatus:

- 1 NE-77A test set
- 1 NE-21A oscillator
- 1 NE-189A network
- 1 NE-189B network
- 1 NE-P2AW cord, 6 feet long
- 1 NS-5672 L4 amplifier carrying case
- 1 NS-6854 tool (screwdriver)

The following apparatus is required for the operation of the oscillator but must be ordered separately:

- 1 Eveready No 455 Minimax Battery
- 2 NS-6570 Batteries
- 1 387A electron tube





A portable, battery operated, solid state, inter-communication unit. Comprises a canvas carrying case, a transmitter unit, a receiver unit and three cables for connection to lines. Transmitter consists of single stage transistor amplifier with weatherproof electro-dynamic type microphone. Receiver uses two stage transistor amplifier with push-pull output. Weatherproof type speaker used. Volume control and on-off switch on receiver. Transmitter and receiver clip together. In this position battery circuit opens automatically.

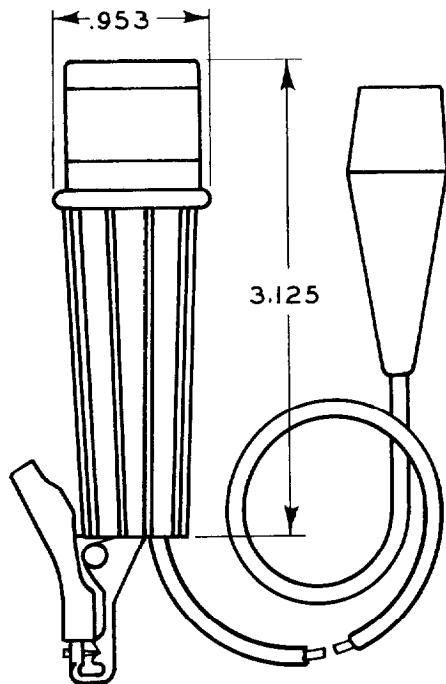
Transmitter output impedance 600 ohms. Receiver input impedance 600 ohms on line and mike inputs and 3000 ohms on probe. Transmitter output power 3 microwatts. Receiver output power 50 milliwatts. Transmitter frequency response $+3$ db from 500 to 5000 cps. Receiver frequency response $+2$ db from 200 to 8000 cps.

Operating range at least one mile over number 26 gauge wire for 6.6 db loss. Under normal use conditions expected battery life 100 hours. Transmitter uses one 15 VDC Eveready type 411 battery. Receiver uses four 1.5 VDC Eveready type 915 batteries. Batteries are not furnished.

Primary application in monitoring communication lines and establishing temporary inter-communication systems in construction fields.

Cases of sheet steel construction. Dimensions when fastened together 6-13/16" W x 4-7/8" H x 3-1/4" D. Weight without batteries 4-3/4 pounds net. Finished in telephone grey enamel.

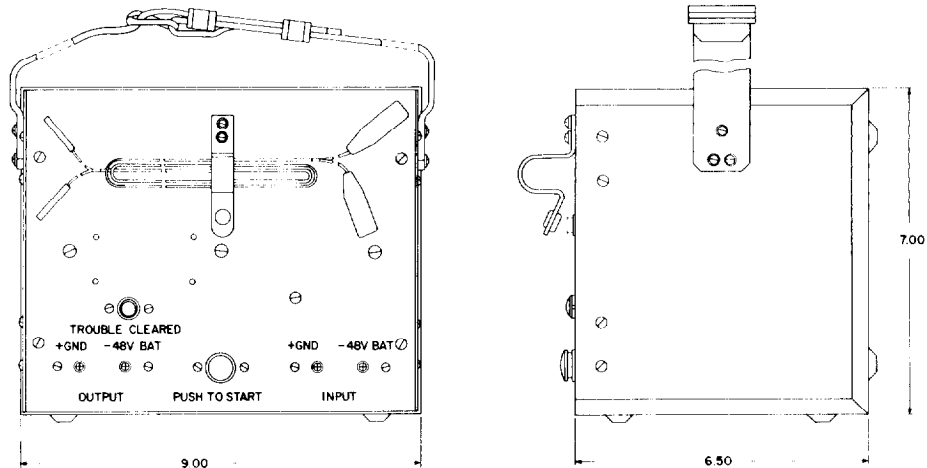




Consists of a cylindrical shell in which an NE23 neon glow lamp, an NS13490, L1 resistor and a test clip are mounted. The test clip is connected to one side of the bulb and an 18 inch lead terminated with a second test clip is connected to the other side of the bulb.

Intended for use in identifying and verifying subscriber lines.



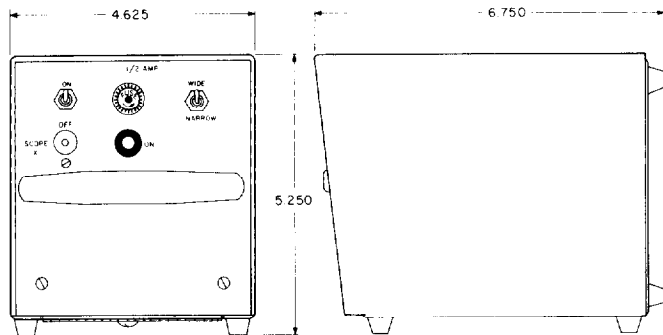


Consists of apparatus such as relays, resistors, and diodes mounted on a chassis, enclosed in a carrying case with carrying handle.

Provides a means of burning out shorts in NE-5 crossbar system.

Requires 48 volts dc at 6 amperes.



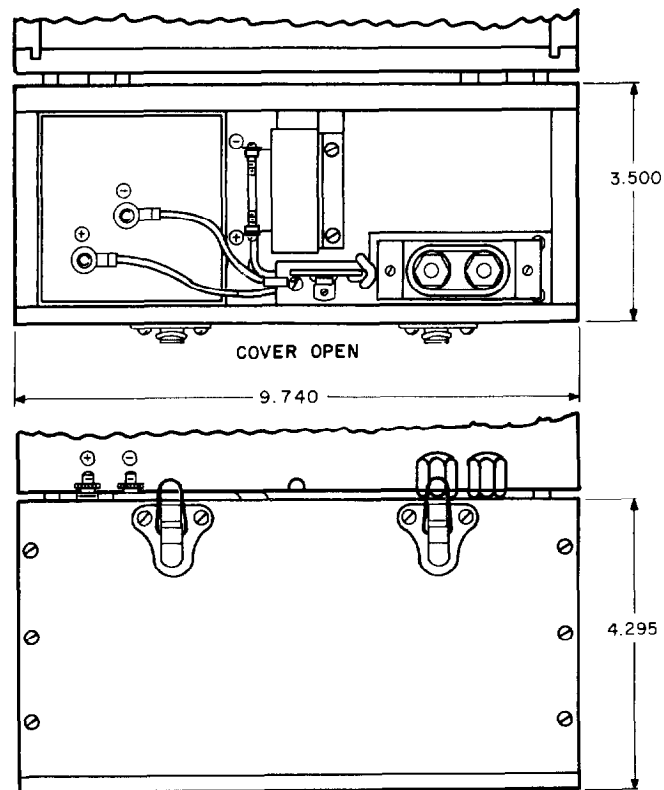


Consists of apparatus assembled on a metal chassis and enclosed in a metal case.

Intended for checking the output of the QGH2A type harmonic generator against the varactor bias settings.

Provides an amplitude controlled (2 steps) 60 hertz sine wave that may be superimposed on the dc bias voltage of the QGH2A type harmonic generator at the input point on the rear panel of the generator. The dc bias voltage, when the harmonic generator is adjusted for maximum output, can be monitored by means of an oscilloscope connected to the bias jack of the T/R low voltage power supply. The oscilloscope is not furnished as part of the test set.





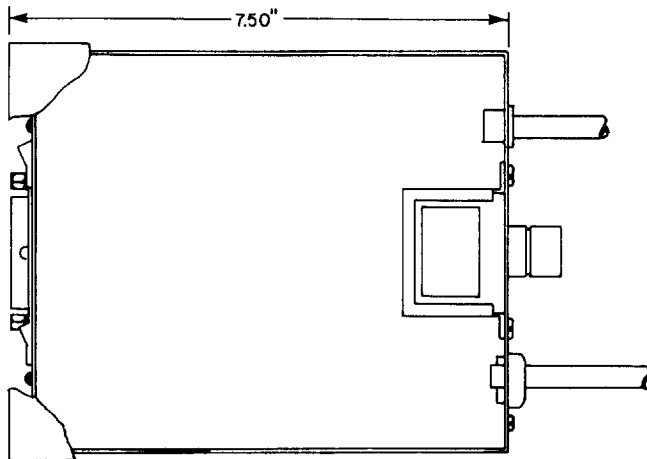
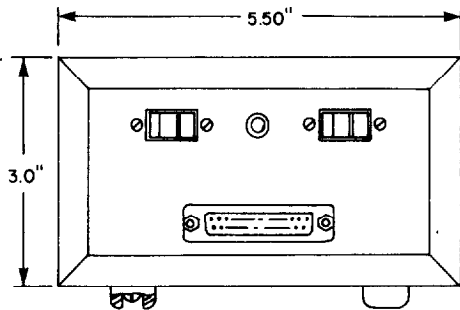
Consists of a buzzer and diode contained in a wooden case. The case is equipped with two binding posts to which test leads may be connected. Space is provided for an Eveready 510S, 6 volt, dry cell and the test cords which are required for the operation of the test set.

Intended for use with the QGB7A and QGB8A gauges on the non-series and series A MINIBAR switch.



QSM30A TEST SET

(Card 1)



QSM30A TEST SET

(Card 2)

Consists of a metal case with two 6 foot long cords attached. One cord is a 25- conductor cable with an EIA connector on the end. The other is a 3- conductor power cord. The case also contains a printed wiring board assembly. On the front of the case are mounted two switches, a "power on" indicator and an EIA connector.

One front panel switch selects the mode of operation - "OLR" or "MUX". The other switch selects the data rate -2.4 or 4.8K bits/seconds. The EIA connector on the end of the cable connects to the data set. The EIA connector on the box is connected to the "OLR" or "MUX".

In the "MUX" mode, the test accepts a 9.6 kHz clock from the "MUX" and changes it to 2.4 or 4.8 kHz and aligns the data to the appropriate edges of the output clock.

In the "OLR" mode the test set accepts a 2.4 or 4.8 kHz clock from the data test set and changes it to 9.6 kHz and aligns the data to the appropriate edges of the output clock.

Initial Application: Allows the use of a checktran data test set to test either a QSA2A Data Terminal and associated loop system or a multiplex channel.