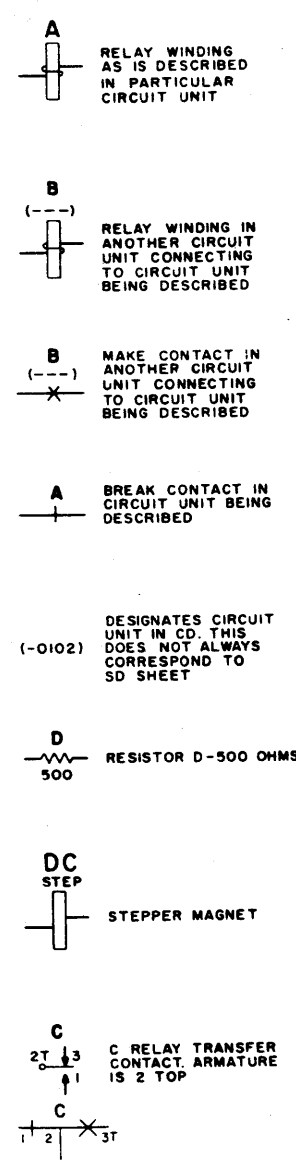
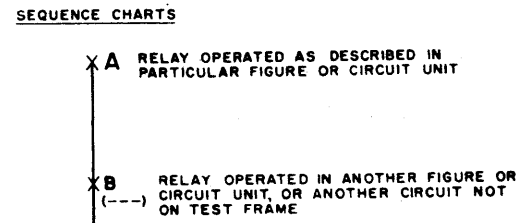


ALLOW 8 3/8 INCHES
FOR BINDING
WHEN REDUCED



SECTION-0102-5 CD SECTION OR CIRCUIT UNIT-0102, PARAGRAPH 5

FIG. A - MASTER LEGEND FOR LINE DRAWINGS
ES-558991-CD 25221-01



SEQUENCE CHARTS ARE SHOWN FOR PARTICULAR FIGURES, CIRCUIT UNITS OR SECTIONS OPERATING IN CONJUNCTION WITH EACH OTHER

NOTE:
FOR OTHER SYMBOLS AND EXPLANATIONS PERTAINING TO ATTACHED LINE DRAWINGS OPERATIONAL SKETCHES AND SEQUENCE CHARTS, SEE OS-000-2, MP-10378 AND SC-000-2, MP-10379 (BSP ITEMS)

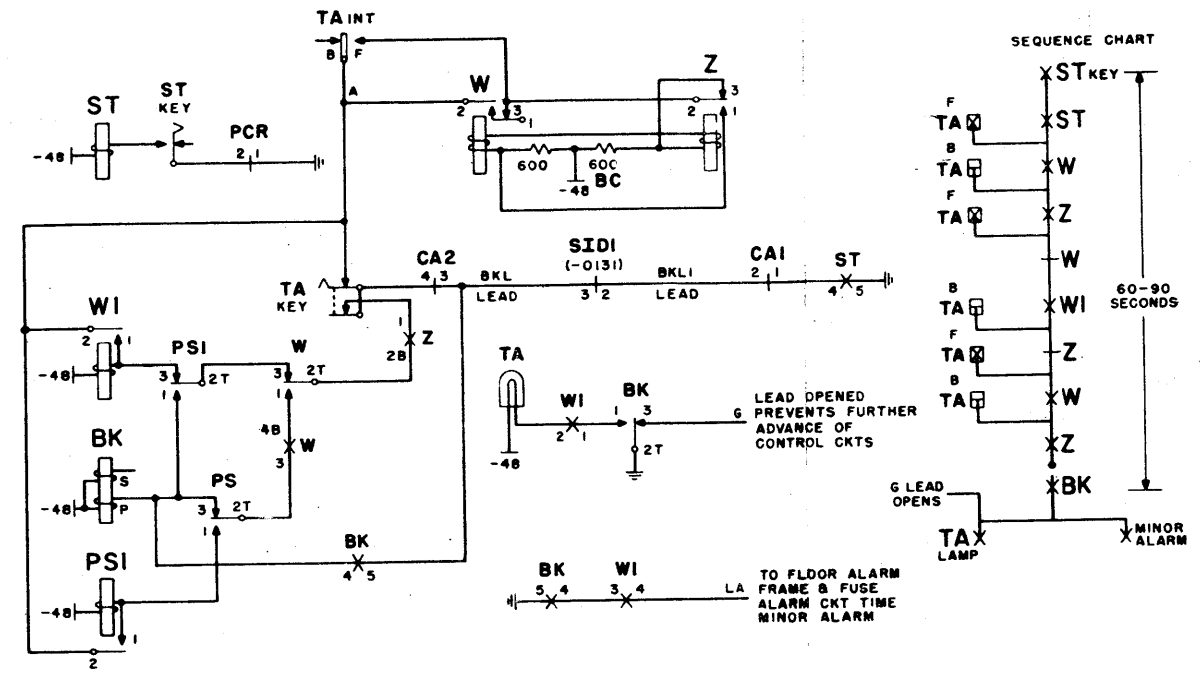


FIG. 1 - TIME ALARM AND BLOCKING SECTION -0102-5

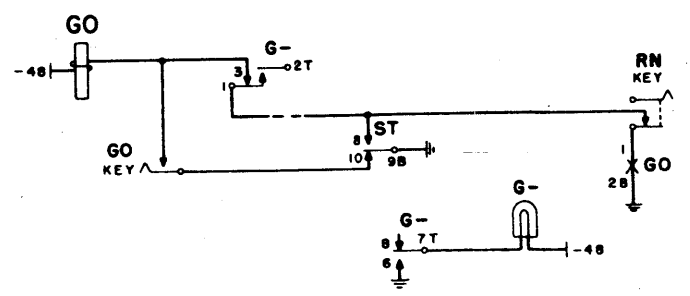


FIG. 2 - SELECTION OF FIRST CROSSBAR SWITCH SECTION -0102-6

ES-558991

LOW 8 3/8 INCHES
FOR BINDING
WHEN REDUCED

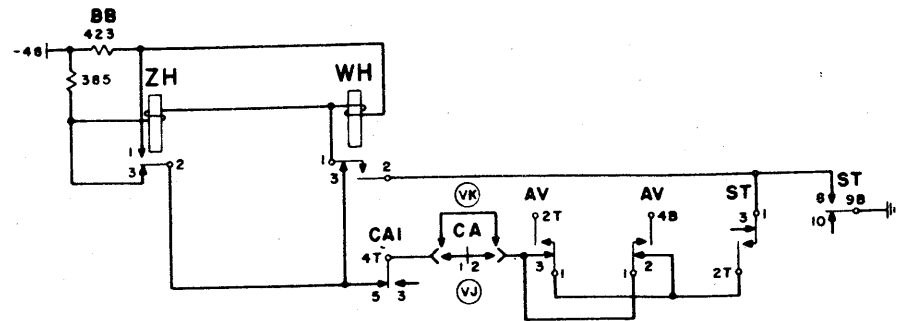


FIG. 3 - OPERATION OF SELECT MAGNET SECTION - 0102-7

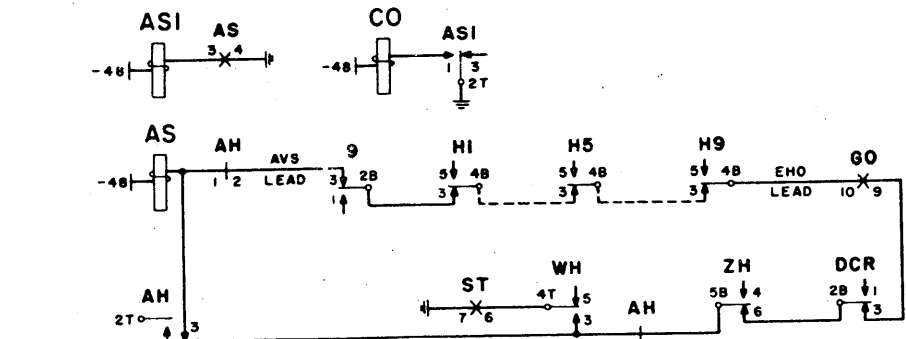


FIG. 4 - OPERATION OF HOLD MAGNET SECTION - 0102-8

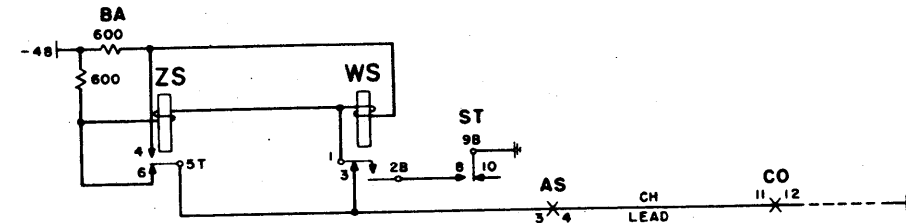


FIG. 5 - OPERATION OF SELECT AND HOLD MAGNET SECTION - 0102-7 & 8

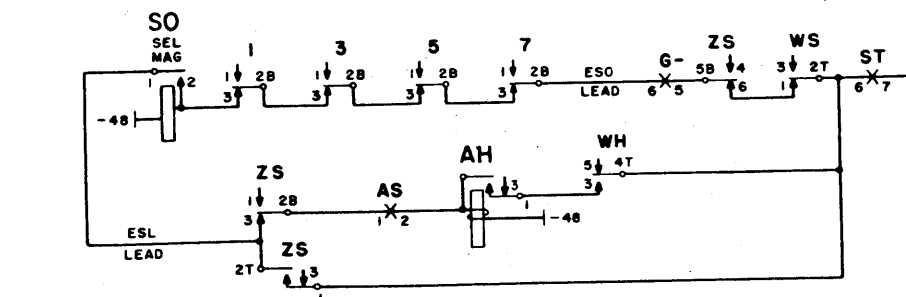


FIG. 6 - SEIZURE OF SENDER GROUP TEST CIRCUIT SECTION - 0102-9

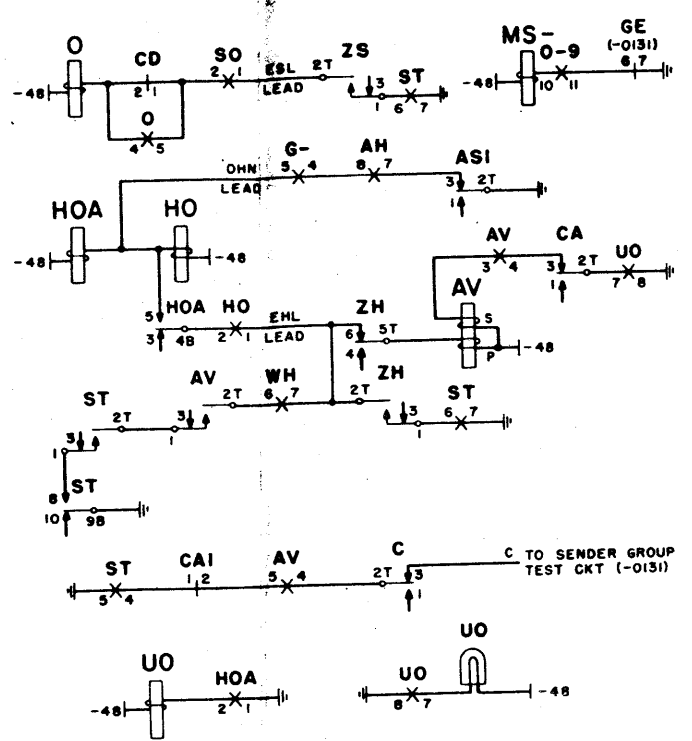
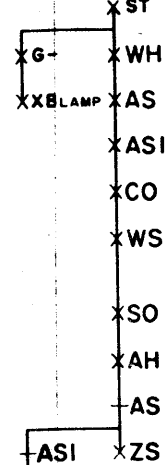


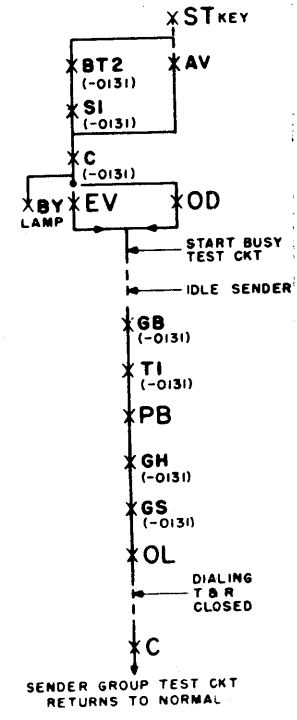
FIG. 7 - SEIZURE OF SENDER GROUP TEST CIRCUIT SECTION - 0102-10

SEQUENCE CHART



C LEAD IS GROUNDED TO SENDER GROUP TEST CKT (-0131)

SEQUENCE CHART



ES-558991

CD-25221-01	2	ES-558991
BELL TELEPHONE LABORATORIES INCORPORATED	65	SHEET 6

ISSUE 10

ALLOW 8 3/8 INCHES
FOR BINDING
WHEN REDUCED

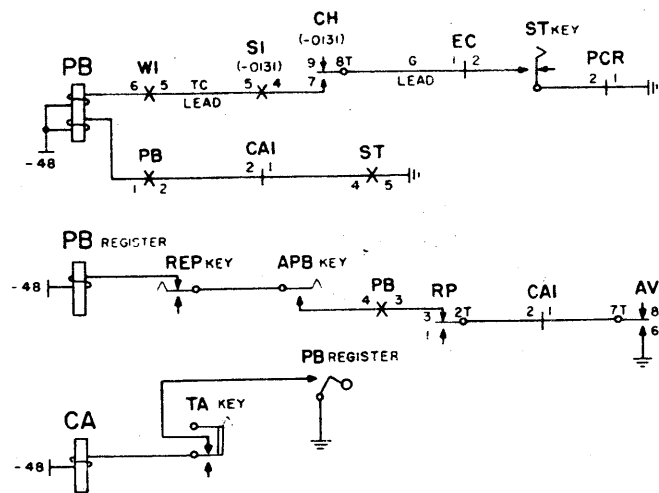


FIG. 11 - AUTOMATIC PASS BUSY FEATURE
SECTION - 0102-19

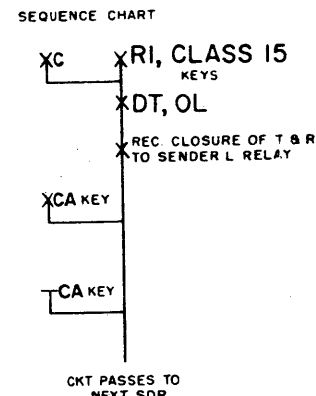
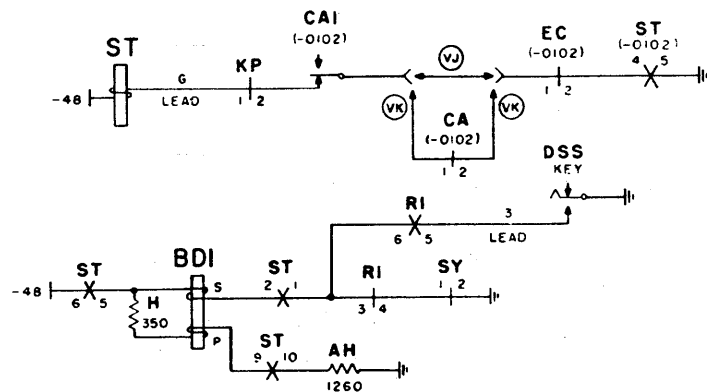


FIG. 12 - DIAL TONE TEST
SECTION - 0102-26

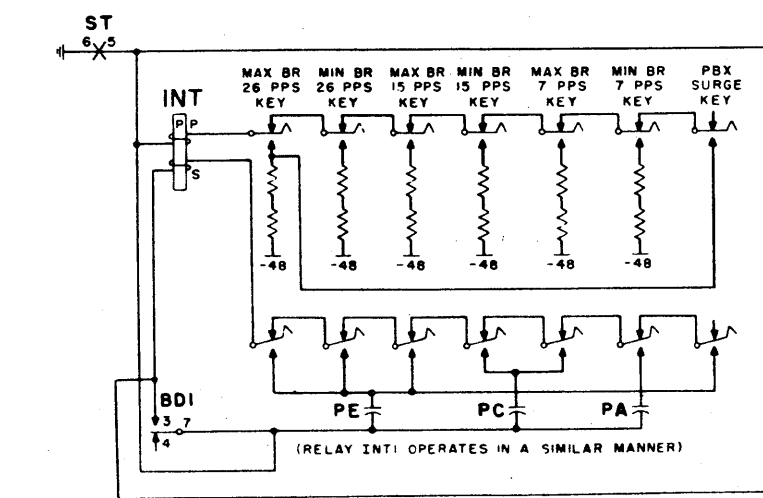


FIG. 14 - SEIZURE BY CONTROL CIRCUITS
SECTION - 0105-5

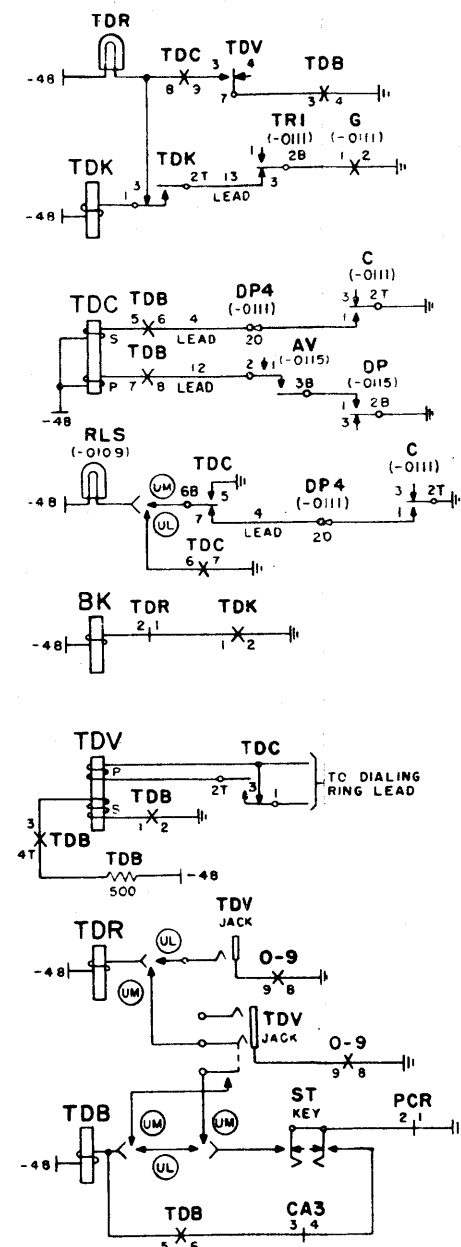
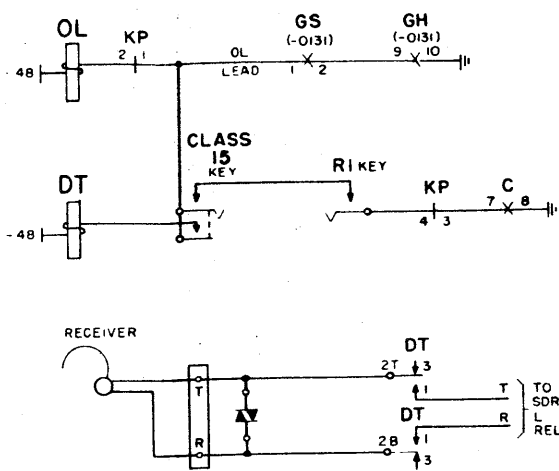
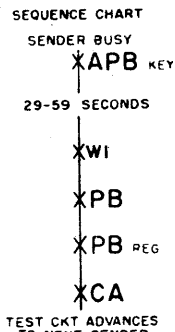
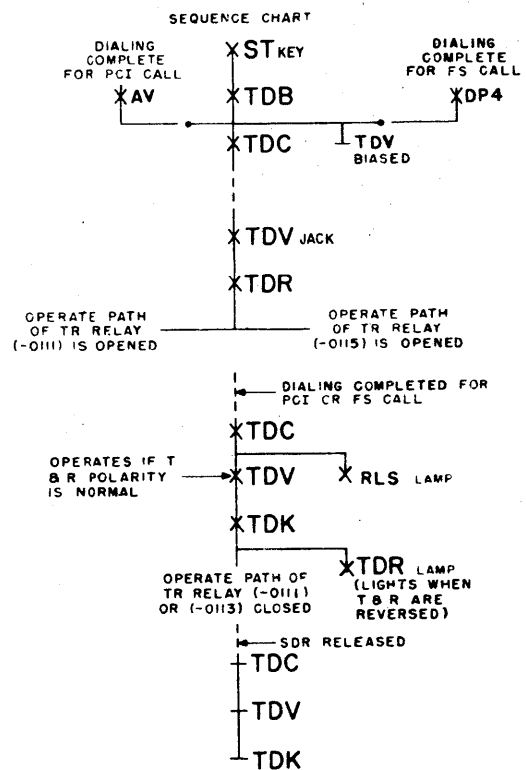


FIG. 13 - TIP AND RING POLARITY TEST AT DIALING
COMPLETION CHECK OF SUBSCRIBER SENDER
ON RESTRICTED PBX CALL DIVERSION FEATURE
SECTION - 0102-29



ES-558991

LOW 8 3/8 INCHES
FOR BINDING
WHEN REDUCED

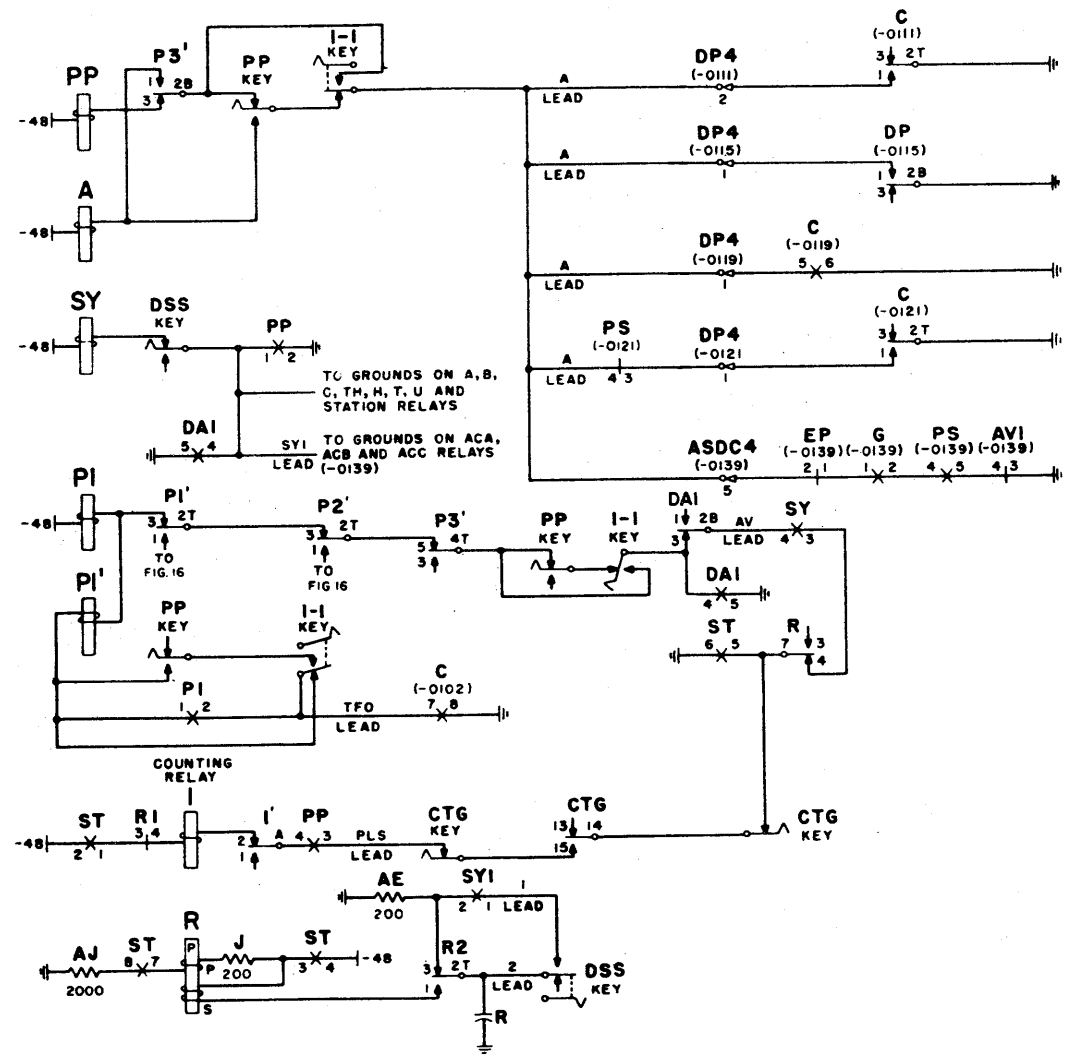
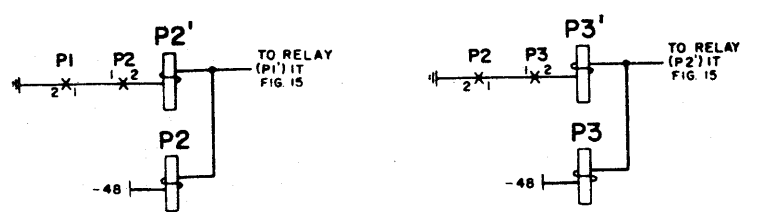


FIG. 15 - DIALING PRELIMINARY PULSE SECTION - 0105-6



- SEQUENCE CHARTS
- I-1 KEY OPERATED } 3 "ONES" DIALED INTO SUB. SDR BEFORE REGULAR OFFICE CODE
PP KEY NORMAL
 - I-1 KEY OPERATED } 2 "ONES" DIALED INTO SUB. SDR BEFORE REGULAR OFFICE CODE
PP KEY OPERATED
 - I-1 KEY NORMAL } 1 DIGIT "ONE" DIALED INTO SUB. SDR BEFORE REGULAR OFFICE CODE
PP KEY NORMAL
 - I-1 KEY NORMAL } 1ST DIALING TO TAKE PLACE IS THE 1ST DIGIT OF THE REGULAR OFFICE CODE
PP KEY OPERATED

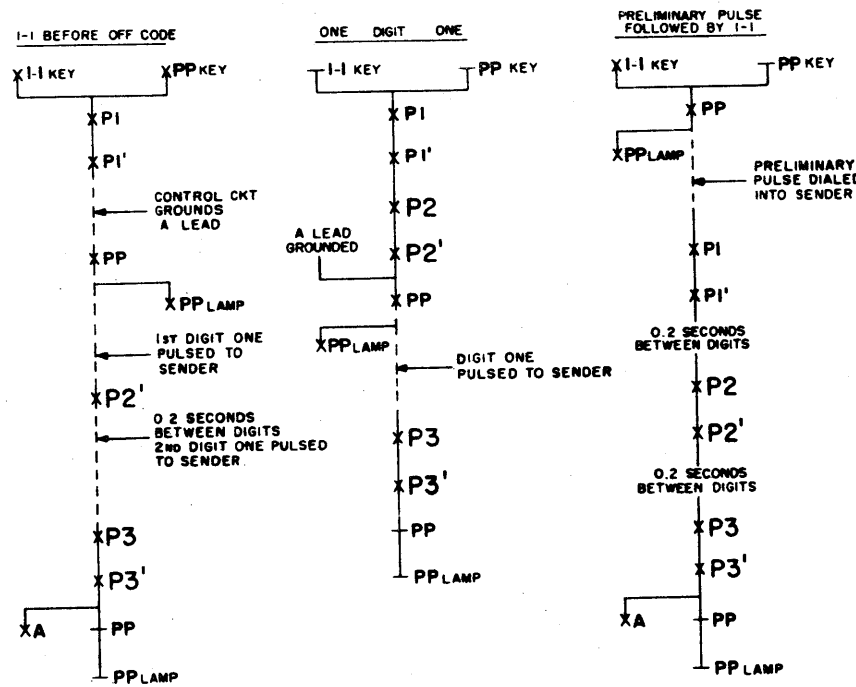


FIG. 16 - DIALING PREFIX I-1 (SUB SDRS) SECTION-0105-7

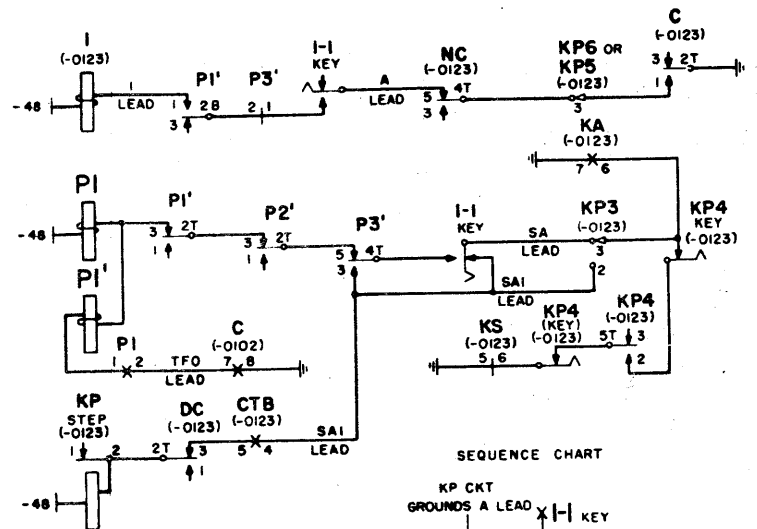
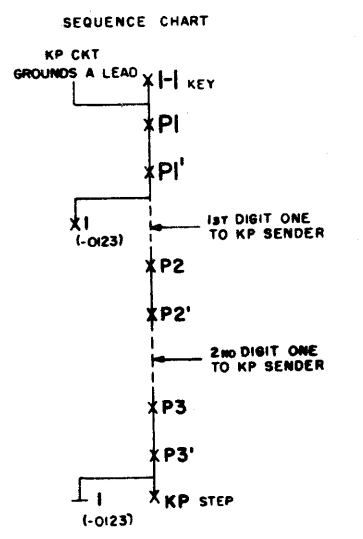


FIG. 17 - PULSING PREFIX I-1, KP SENDERS SECTION-0105-8



ES-558991

ALLOW 8 3/8 INCHES
FOR BINDING
WHEN REDUCED

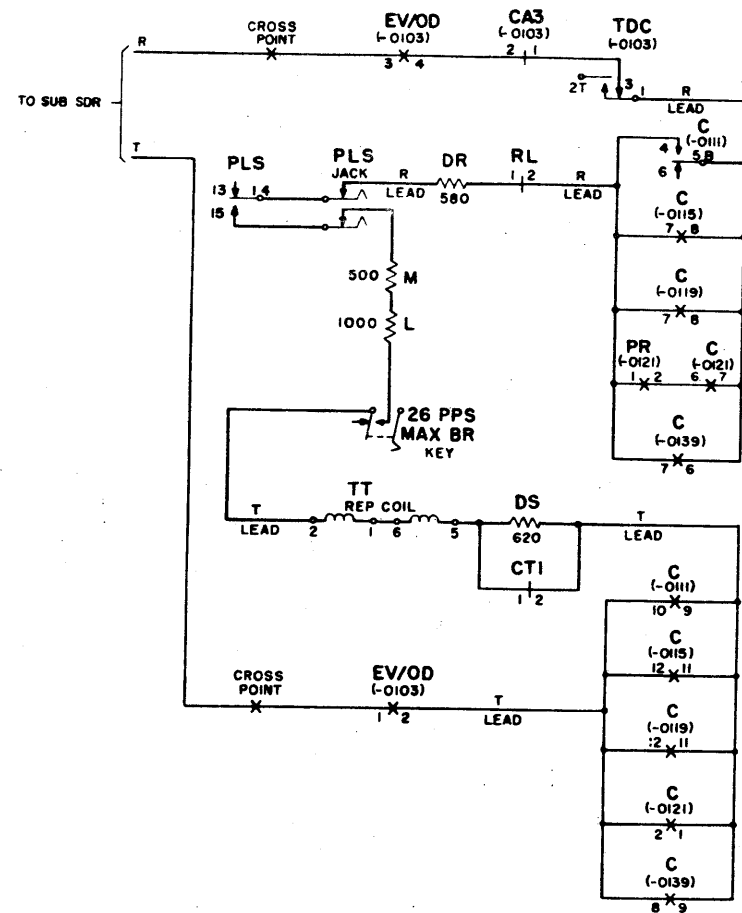


FIG 18 - TYPICAL SENDER DIALING LOOP - 26 PPS MAXIMUM BREAK PULSING SPEED OPERATION OF DIAL PULSE INTERRUPTER SECTION-0105-14

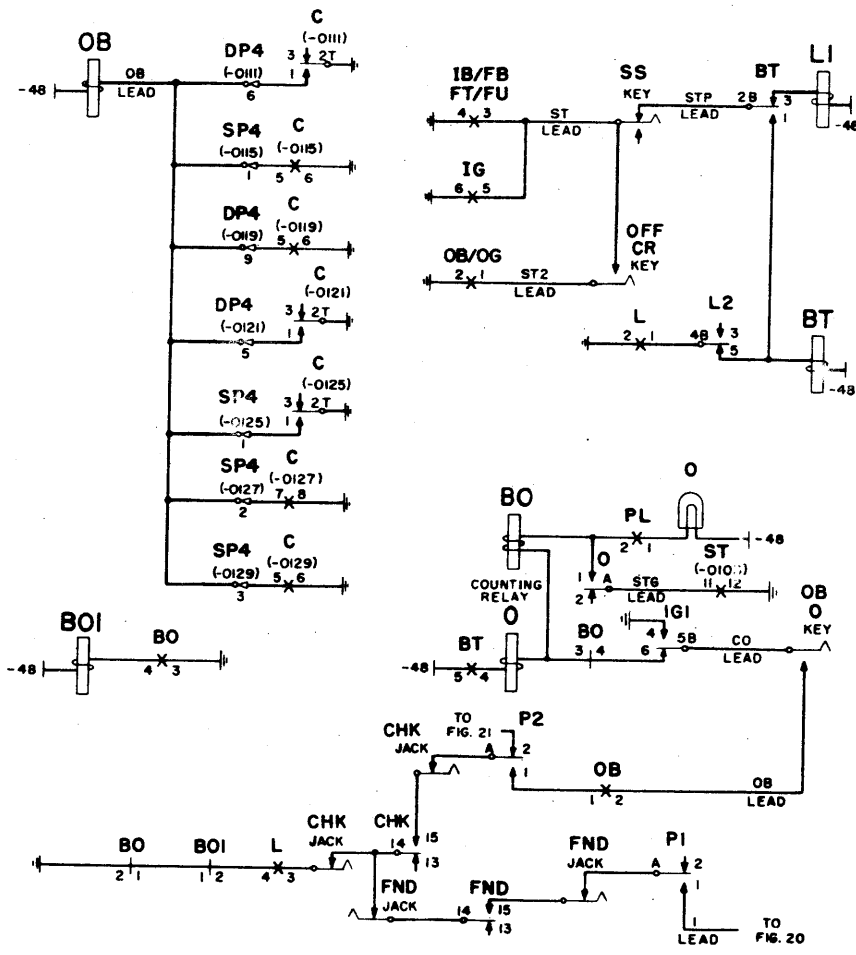


FIG 19 - OFFICE BRUSH SELECTION SECTION-0108-5

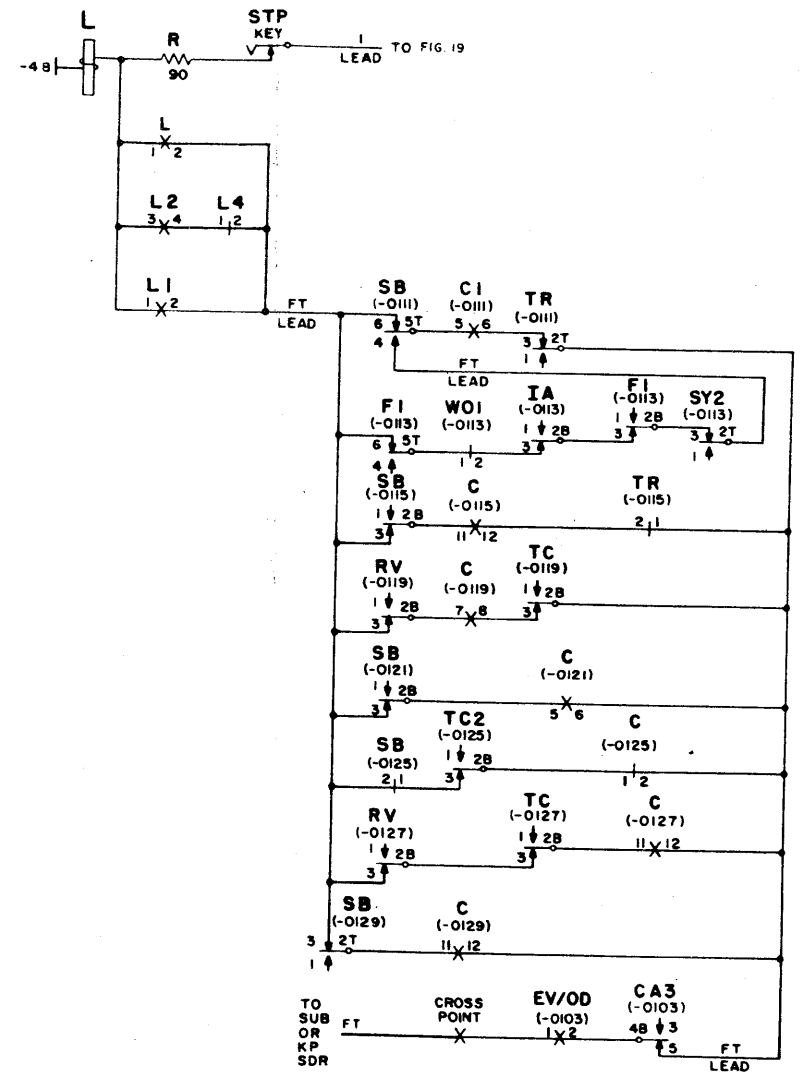


FIG 20 - OPERATION OF L RELAY OFFICE BRUSH SELECTION (CONTINUED) SECTION-0108-5

ES-558991

ISSUE
10

ALLOW 8 3/8 INCHES
FOR BINDING
WHEN REDUCED

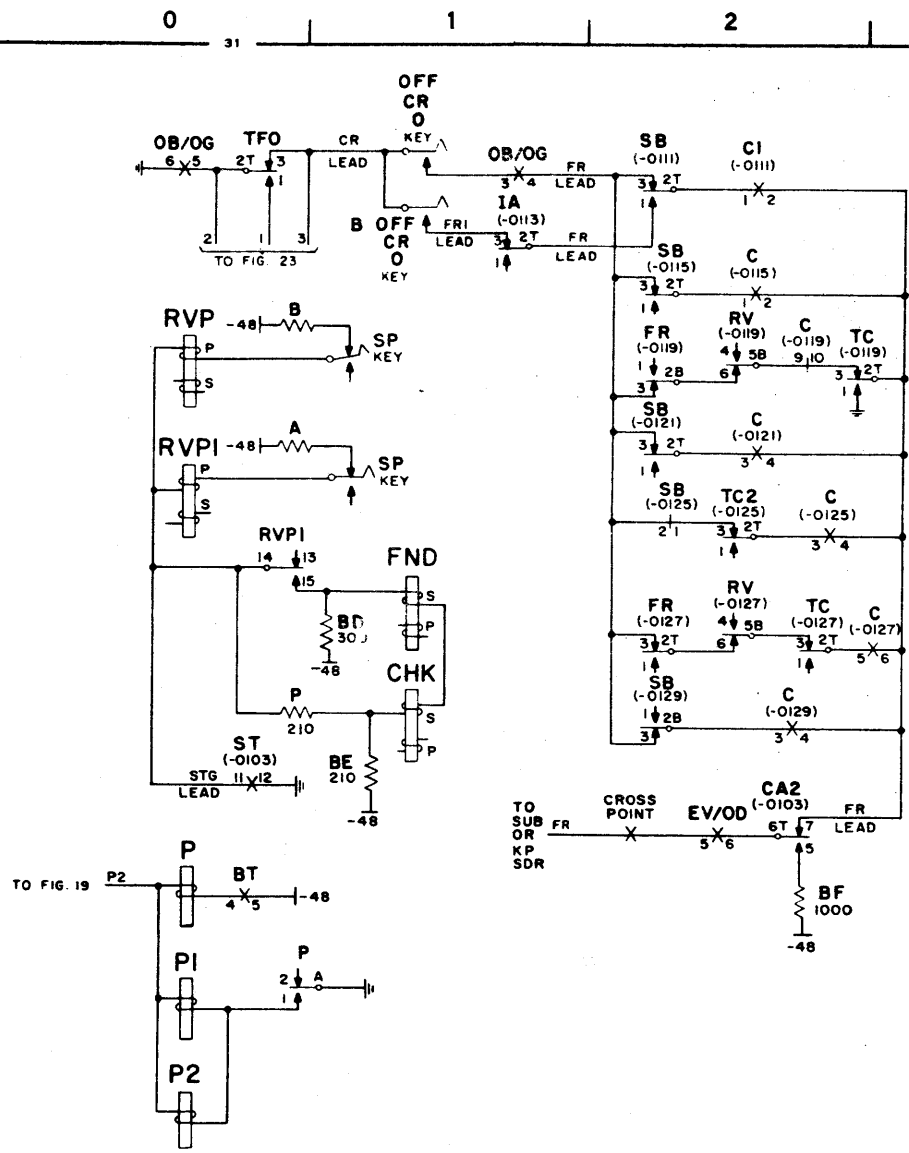


FIG. 21 - OPERATION OF L RELAY OFFICE BRUSH SELECTION (CONTINUED) SECTION - 0108-5

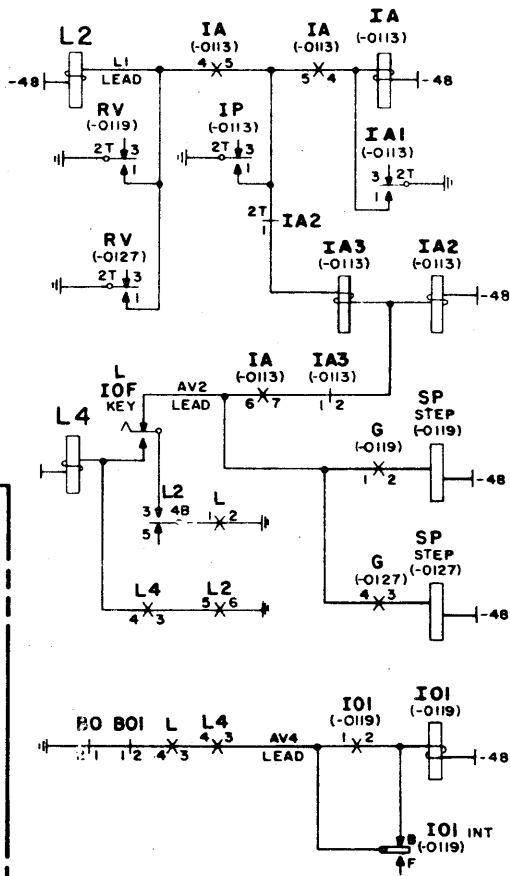
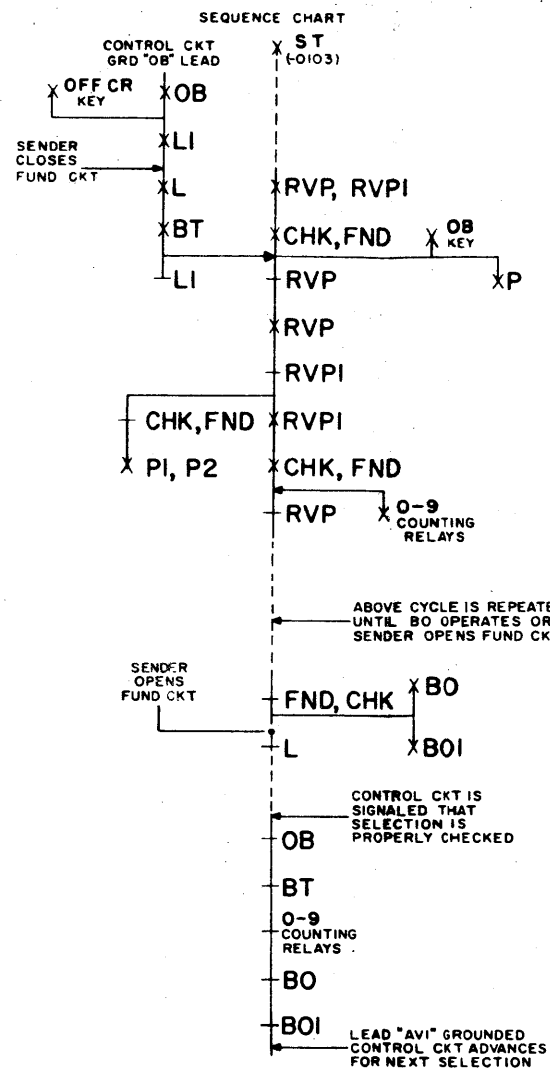


FIG. 22 - INCOMING ADVANCE AND OVERFLOW TESTS SECTION - 0108-9

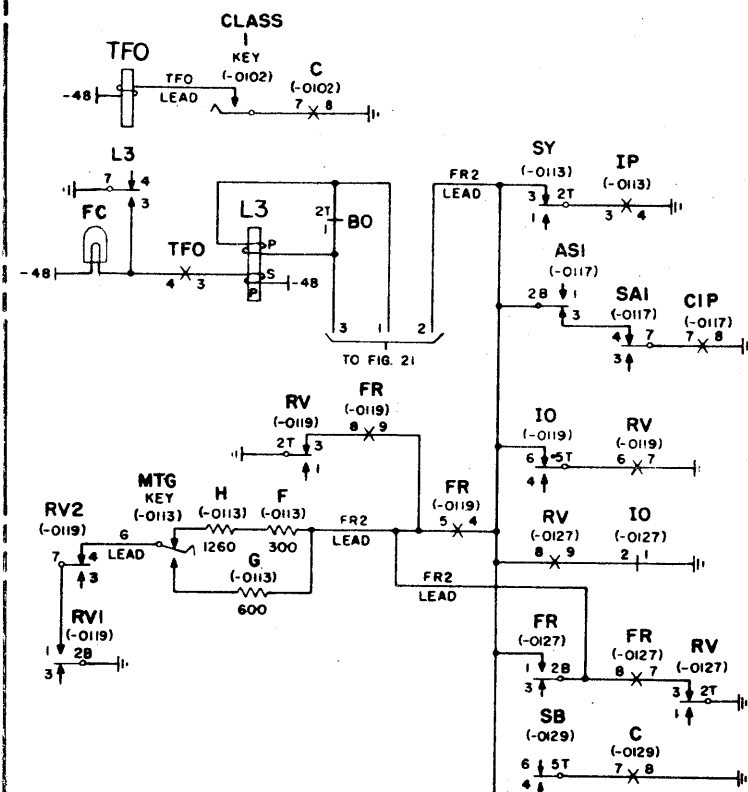


FIG. 23 - TEST FOR OPENING OF FUNDAMENTAL IN SENDER SECTION - 0108-14

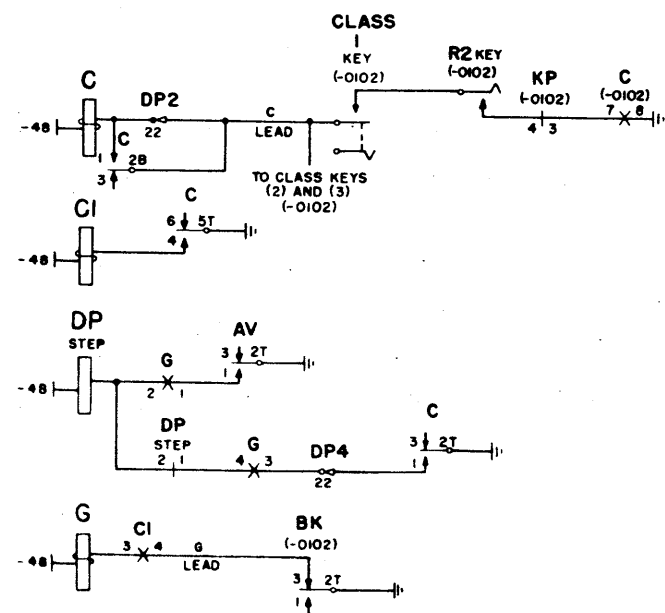
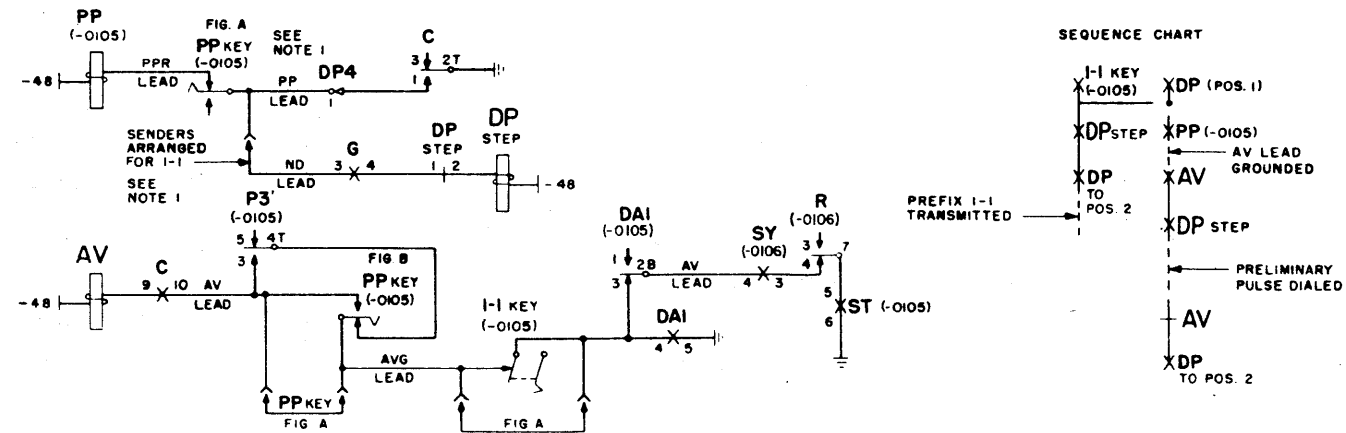
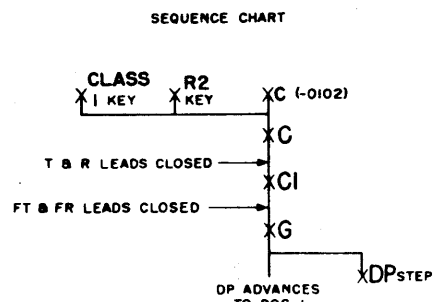


FIG. 24 - SEIZURE SECTION - 0111-5



NOTES
1 WHEN SUBSCRIBER SENDERS ARE ARRANGED TO REGISTER I-1 PRECEDING THE OFFICE CODE, THE I-1 KEY AND FIG B ARE PROVIDED WITH FIG A. A PRELIMINARY PULSE IS SENT WHEN THE DP SWITCH IS IN POSITION 1 WITH FIG B. A PRELIMINARY PULSE OR I-1 IS SENT WHEN DP SWITCH IS IN POSITION 2

FIG. 25 - DIALING OF PRELIMINARY PULSE SECTION - 0111-6

ES-558991

LOW 8 3/8 INCHES
FOR BINDING
WHEN REDUCED

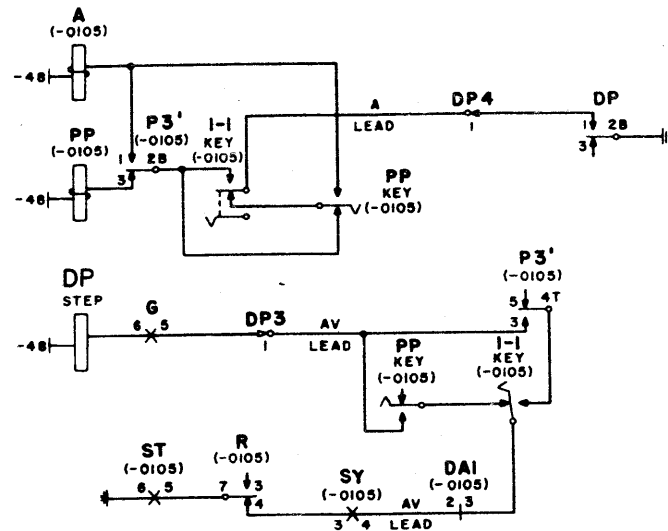


FIG. 41 - DIALING THE A CODE DIGIT
SECTION -0115-6

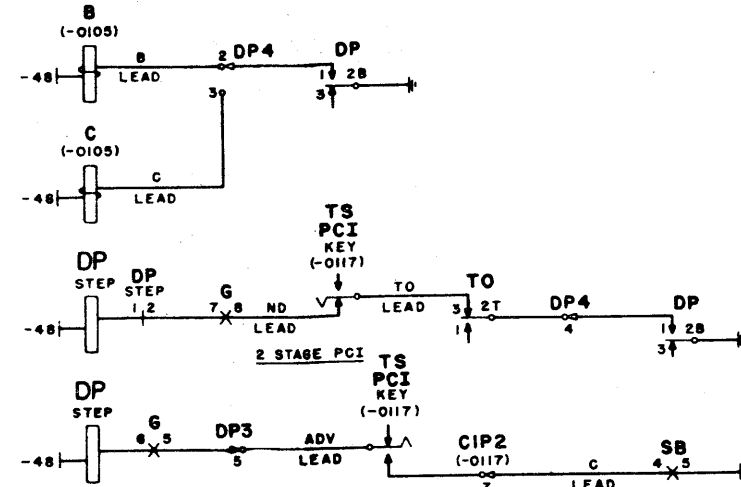


FIG. 42 - DIALING THE B AND C CODE DIGITS
SECTION -0115-7

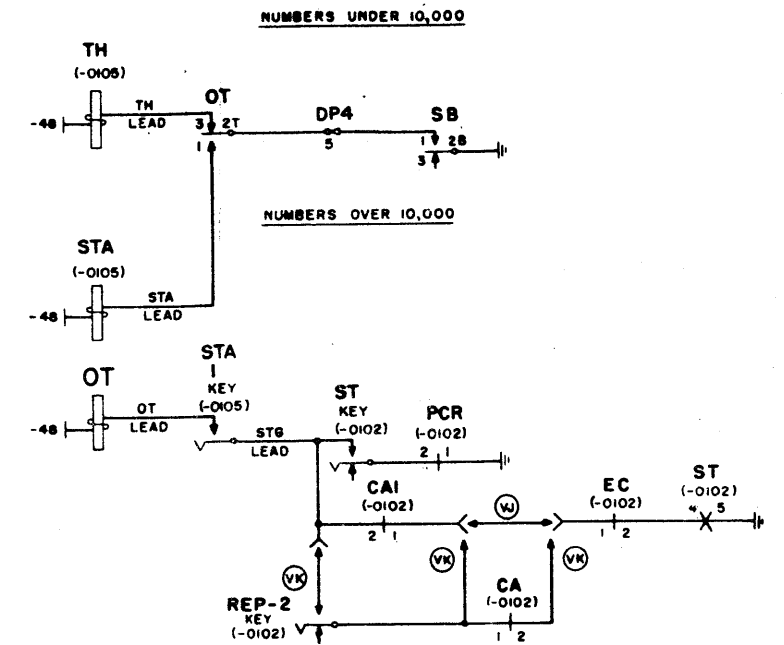


FIG. 43 - DIALING THE FIRST NUMERICAL DIGIT
SECTION -0115-8

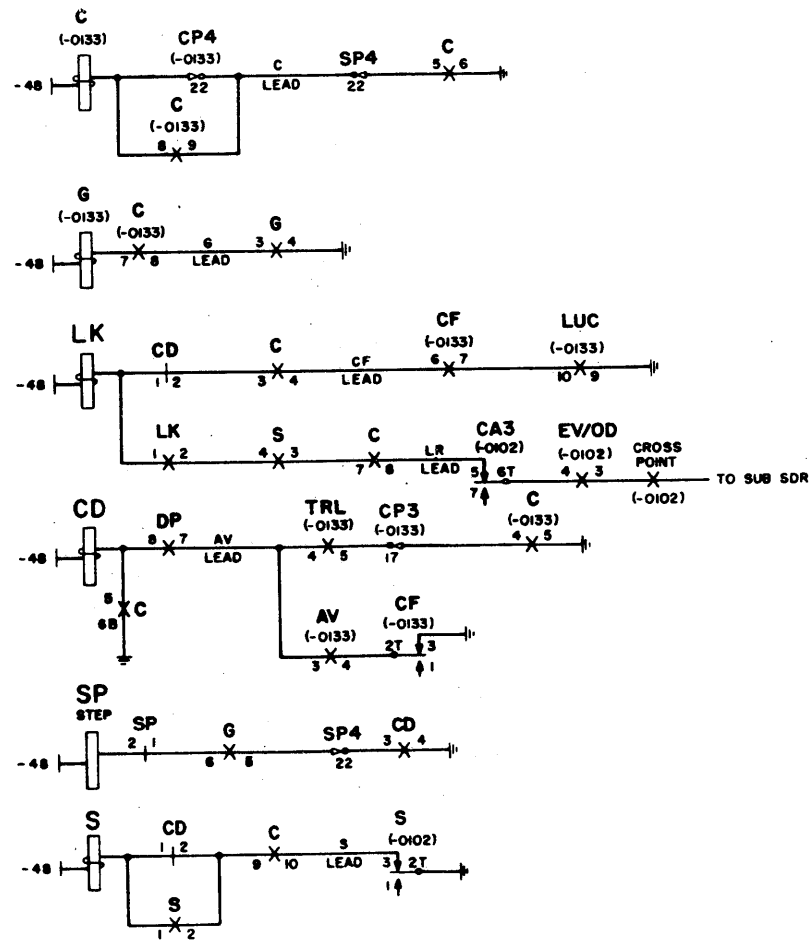


FIG. 44 - CODE CHECK
SECTION -0115-11

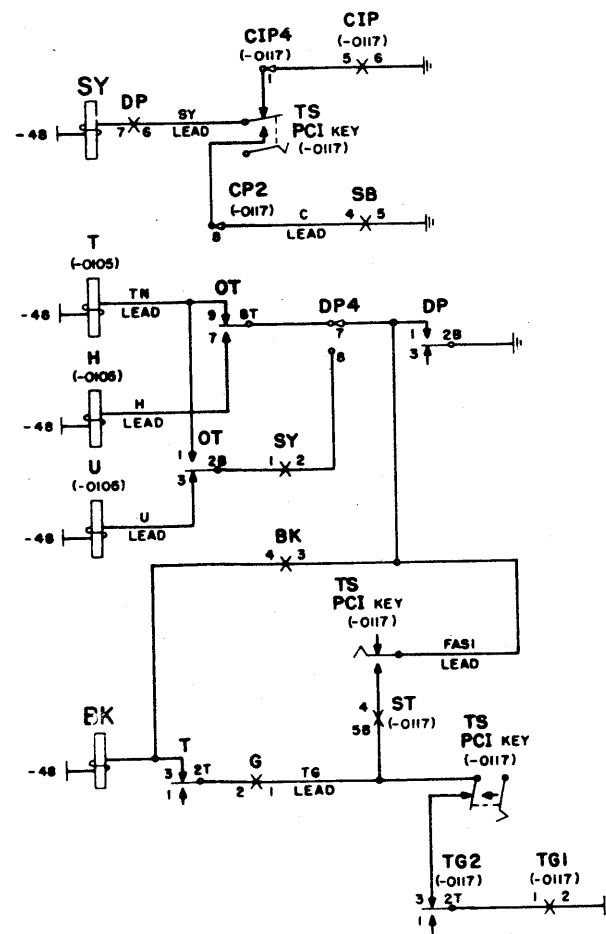


FIG. 45 - SYNCHRONIZING SENDER FOR TRUNK TEST
SECTION -0115-17

ES-558991

CD-25221-01		ISSUE 10	
BELL TELEPHONE LABORATORIES INCORPORATED		ES-558991	
		SHEET 15	

8 1/2 INCHES
 R BINDING
 N REDUCED

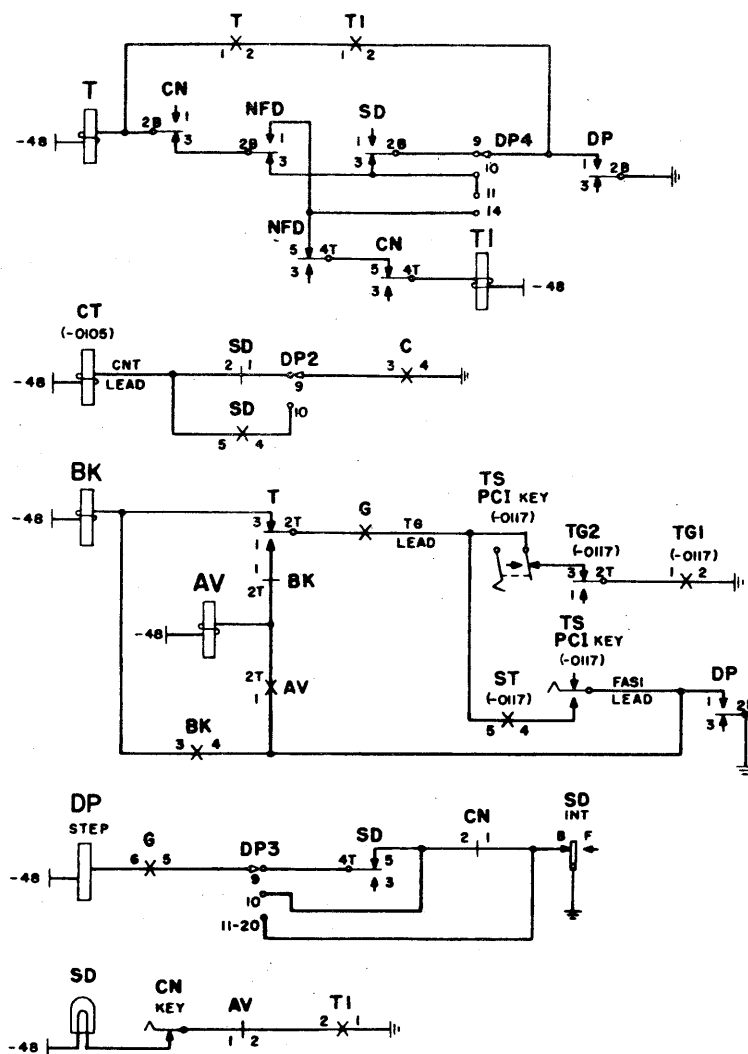


FIG. 46 - TEST OF NO STATIONS DELAY BY SENDER SECTION - 0115-18

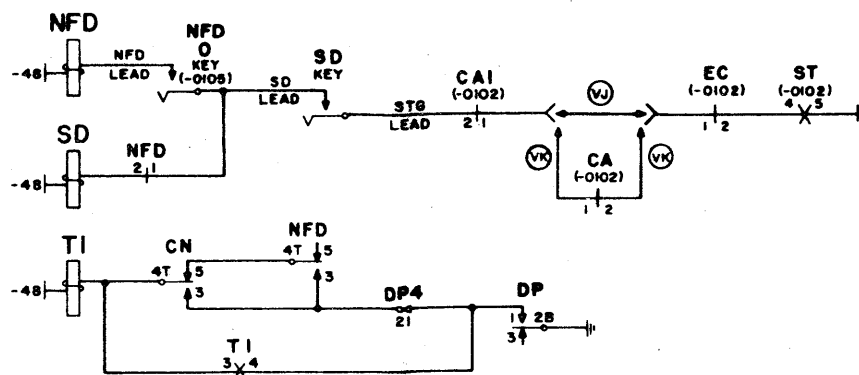


FIG. 47 - TEST OF STATIONS DELAY FEATURE OF SENDER SECTION - 0115-19

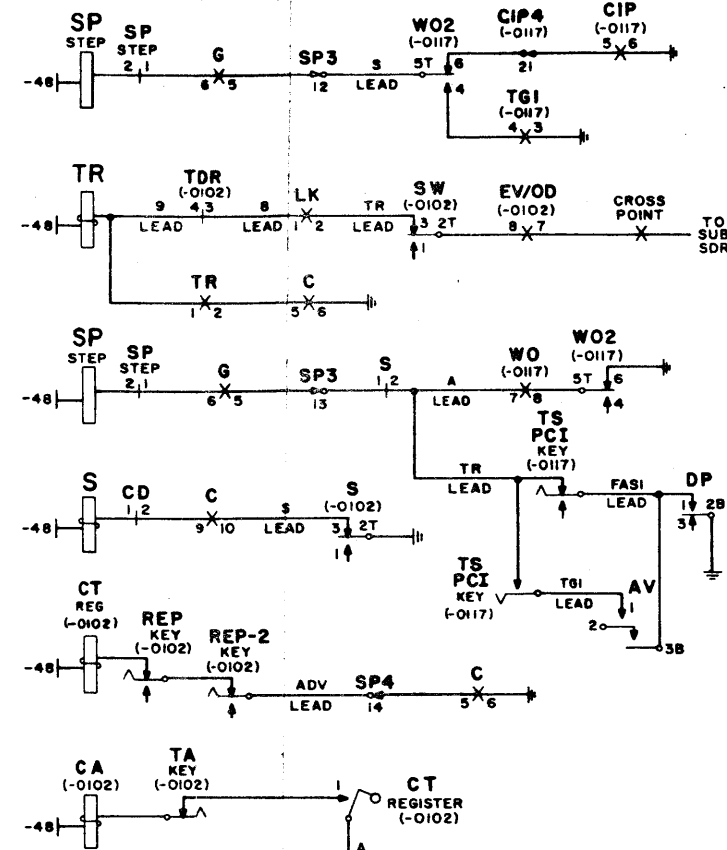


FIG. 48 - RELEASE SECTION - 0115-23

ES-558991

ISSUE
 10

CD-25221-01

BELL TELEPHONE LABORATORIES
 INCORPORATED

2

ES-558991

SHEET 16

6S

ALLOW 8 1/2 INCHES
FOR BINDING
WHEN REDUCED

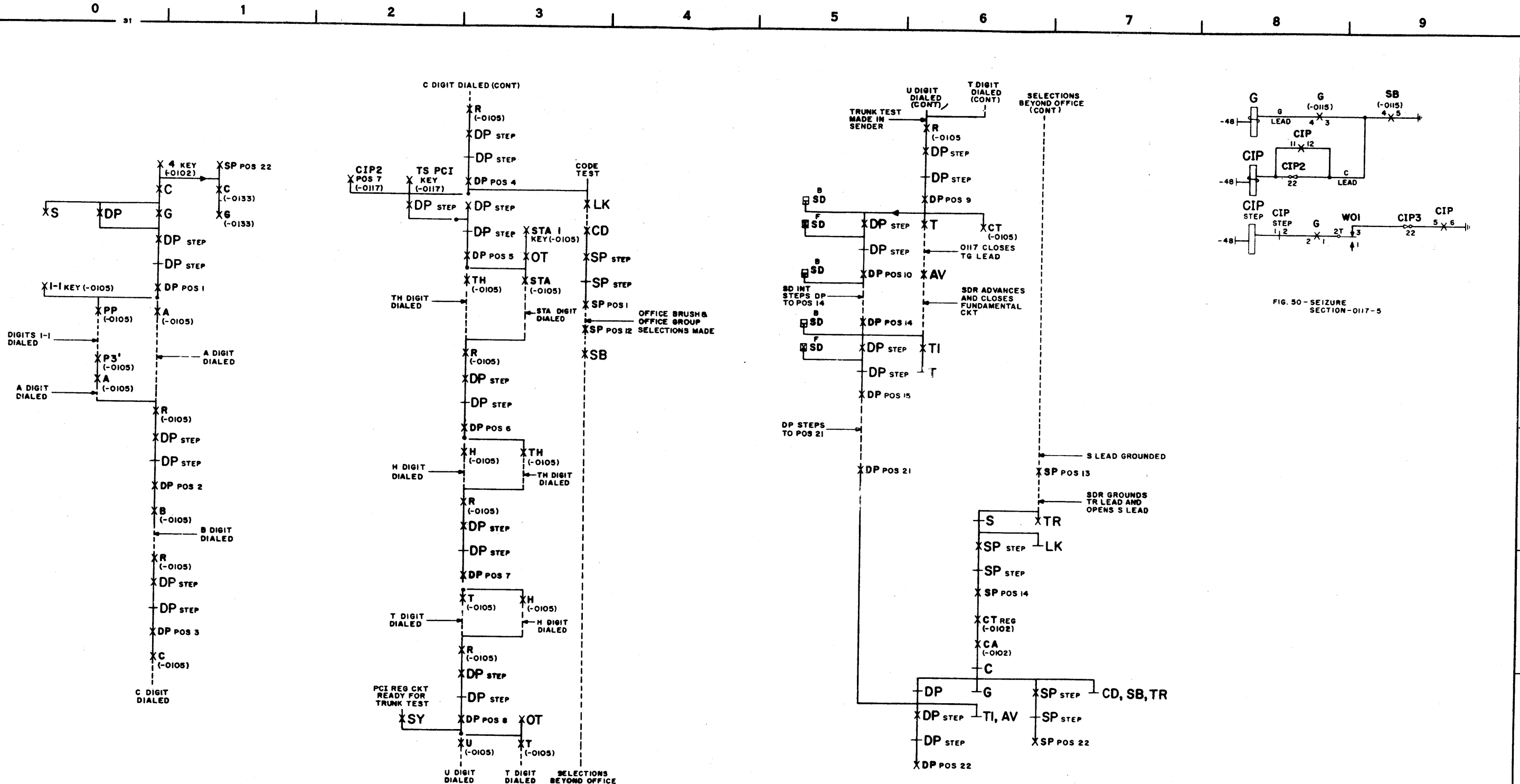


FIG. 49 - SEQUENCE CHART OF PCI CONTROL CIRCUIT SECTION -0115

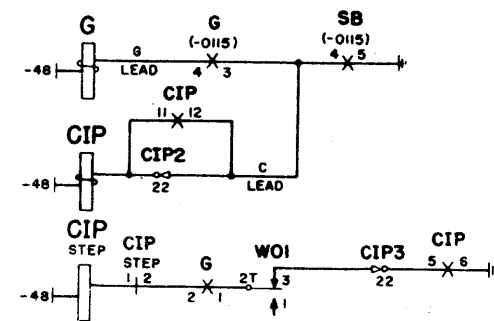


FIG. 50 - SEIZURE SECTION -0117-5

ES-558991

ALLOW 8 3/8 INCHES
FOR BINDING
WHEN REDUCED

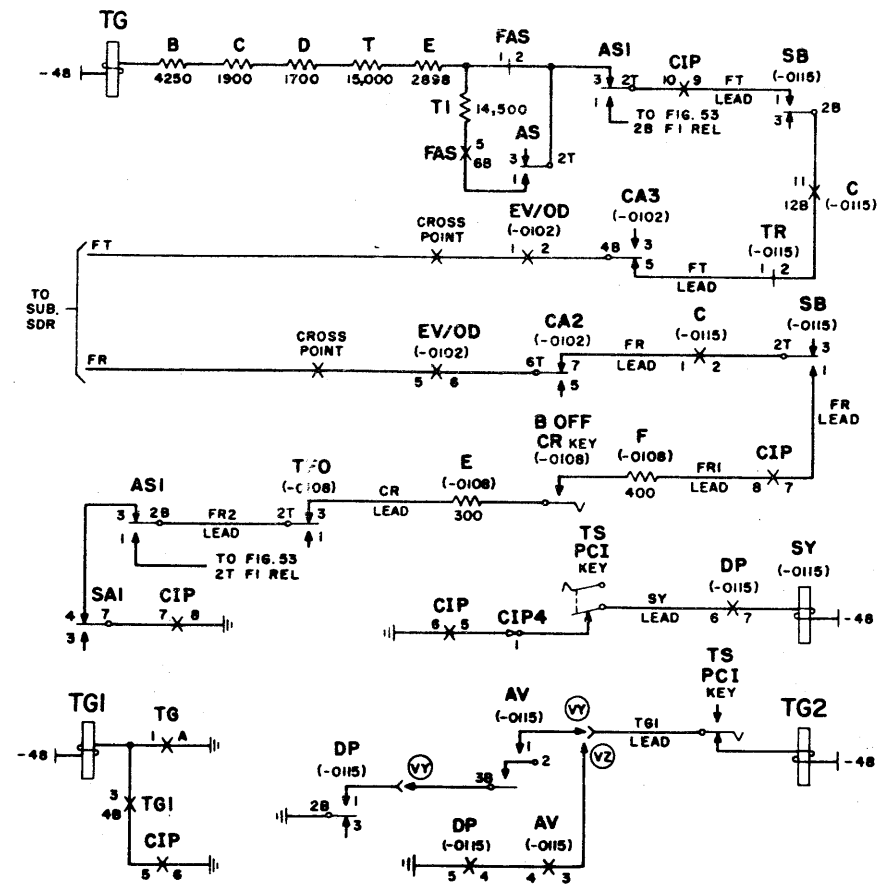


FIG. 51 - SYNCHRONIZING TEST FOR TRUNK CLOSURE
SECTION - 0117-8

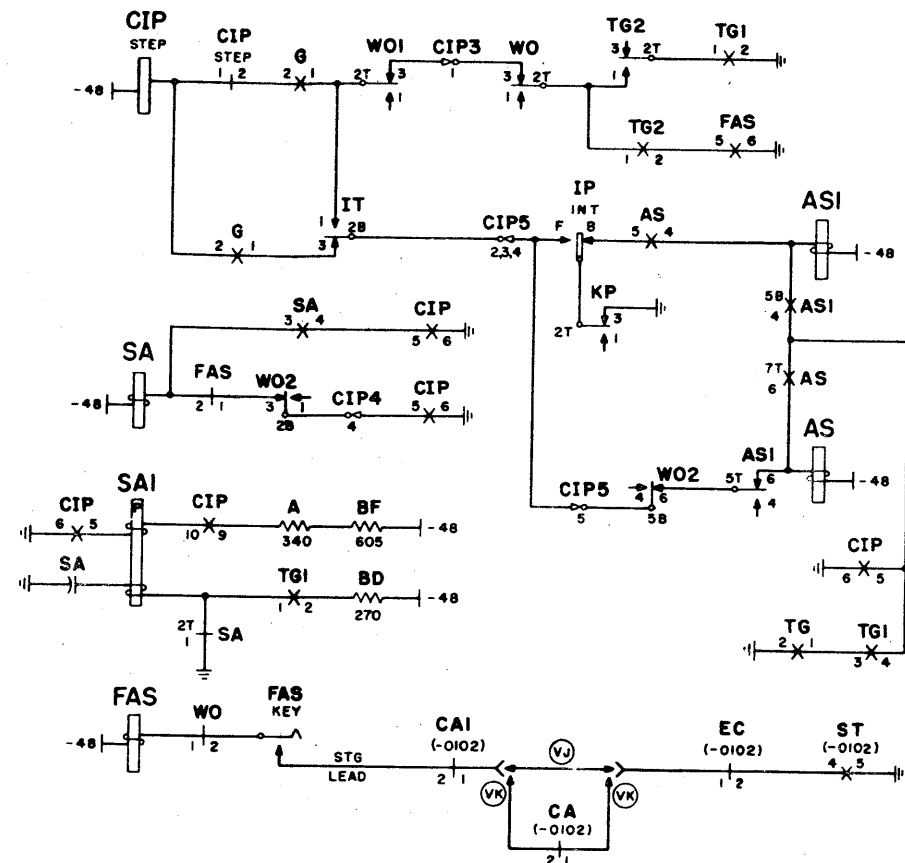


FIG. 52 - CHECK OF FAST AND SLOW ASSIGNMENTS
SECTION - 0117-7,8

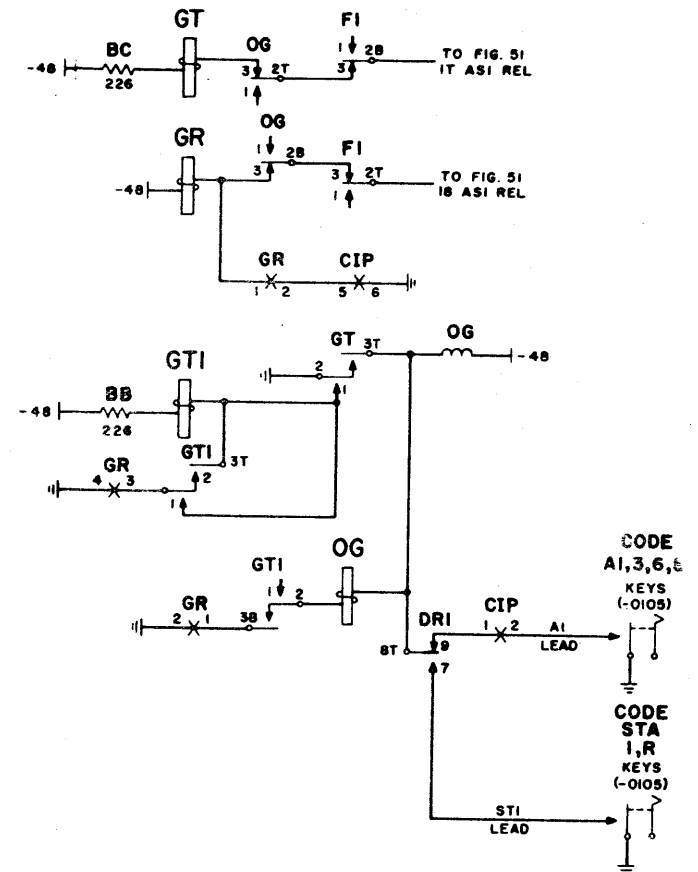


FIG. 53 - CHECKING THE GROUNDING OF THE FT AND FR LEADS
BY THE RENDER BEFORE SENDING PCI PULSES
SECTION - 0117-9

ES-558991

LOW 8 3/8 INCHES
FOR BINDING
WHEN REDUCED

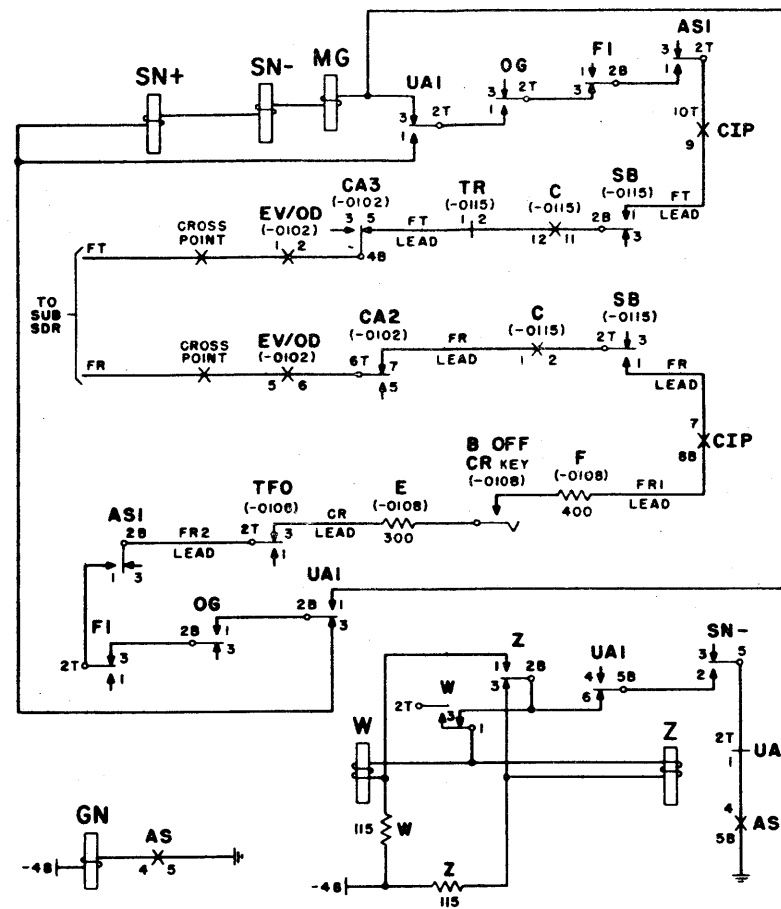


FIG. 54 - CHECKING OF PCI PULSES
SECTION-0117-10

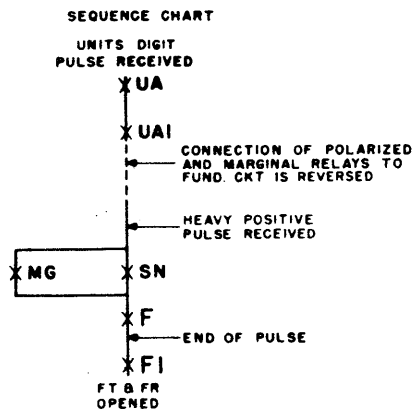
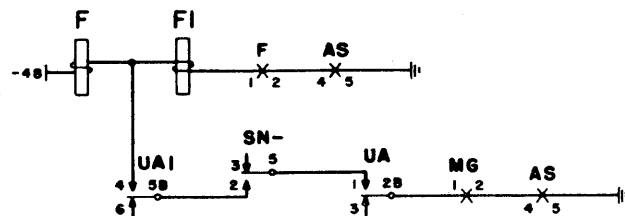


FIG. 56 - CHECK OF FINAL HEAVY POSITIVE PULSE
SECTION-0117-14

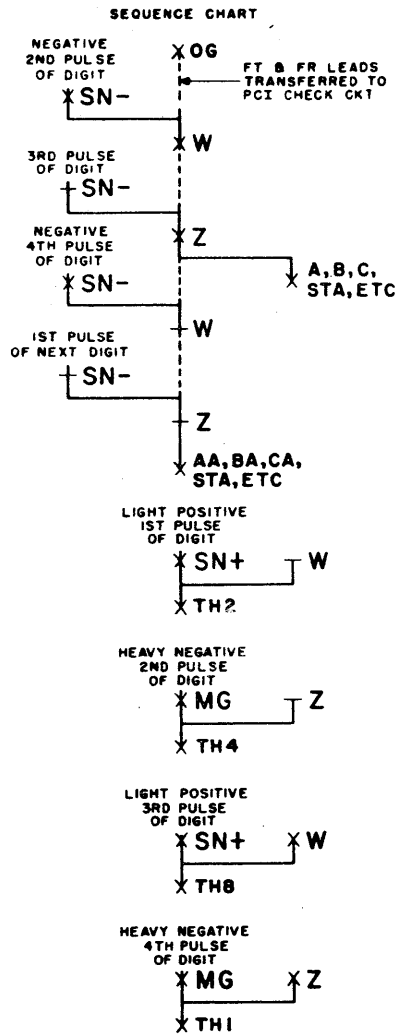


FIG. 57 - CHECK OF DIGITS REGISTERED ON REGISTER RELAYS
SECTION-0117-16

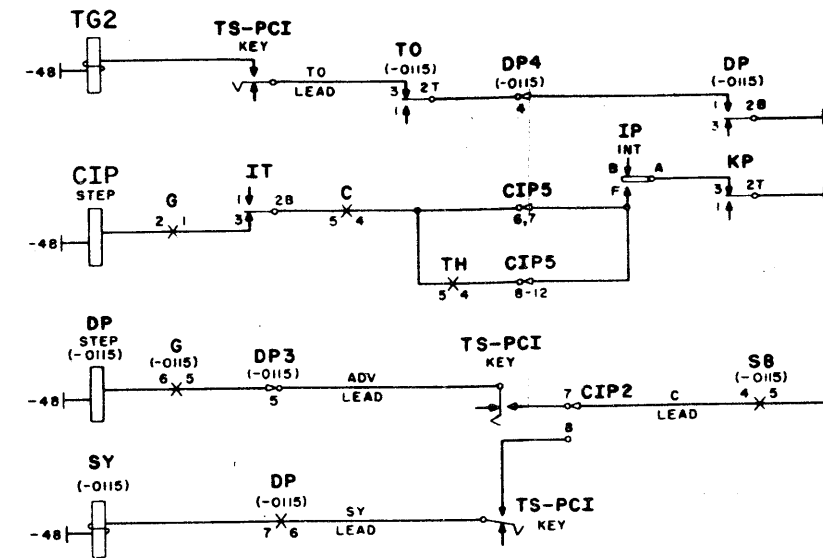
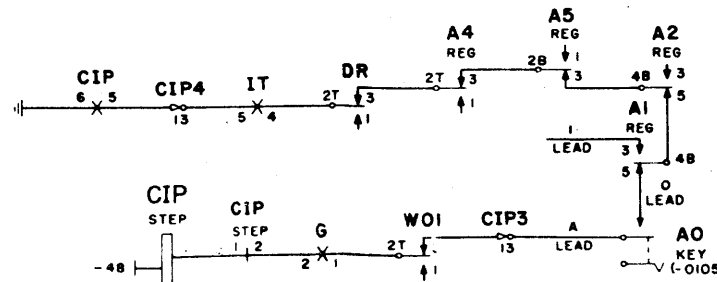


FIG. 55 - TWO-STAGE TANDEM PCI CALLS
SECTION-0117-13

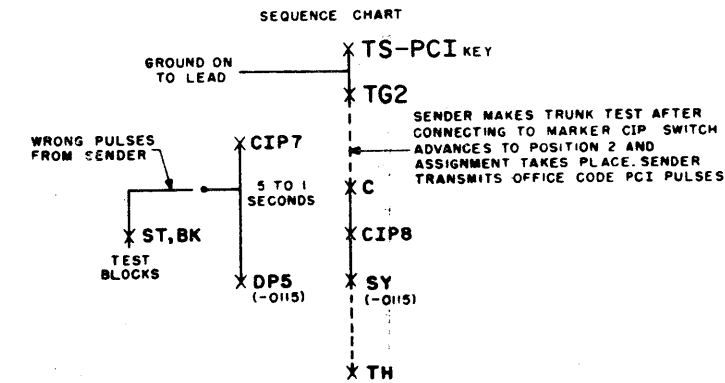


FIG. 55 - TWO-STAGE TANDEM PCI CALLS
SECTION-0117-13

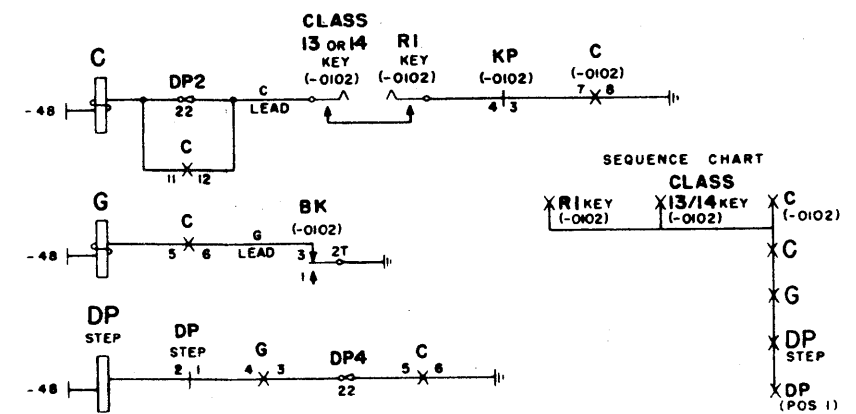


FIG. 58 - SEIZURE
SECTION-0119-5

ES-558991

LOW 8 3/8 INCHES
FOR BINDING
WHEN REDUCED

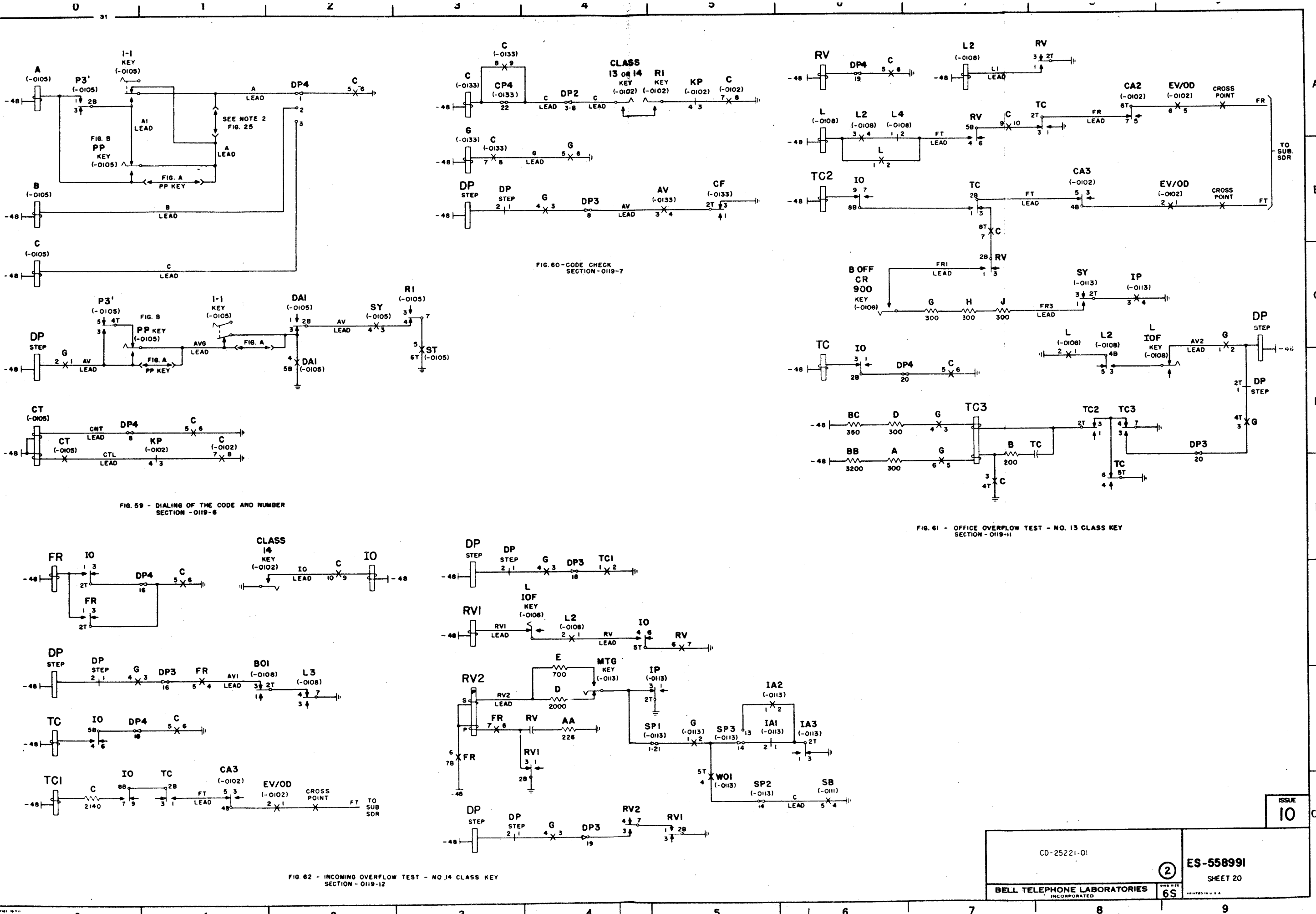


FIG. 60 - CODE CHECK SECTION - 0119-7

FIG. 59 - DIALING OF THE CODE AND NUMBER SECTION - 0119-6

FIG. 61 - OFFICE OVERFLOW TEST - NO. 13 CLASS KEY SECTION - 0119-11

FIG. 62 - INCOMING OVERFLOW TEST - NO. 14 CLASS KEY SECTION - 0119-12

ES-558991

CD-25221-01	2	ES-558991
BELL TELEPHONE LABORATORIES INCORPORATED	6S	SHEET 20

ISSUE
10

ALLOW 8 1/8 INCHES
FOR BINDING
WHEN REDUCED

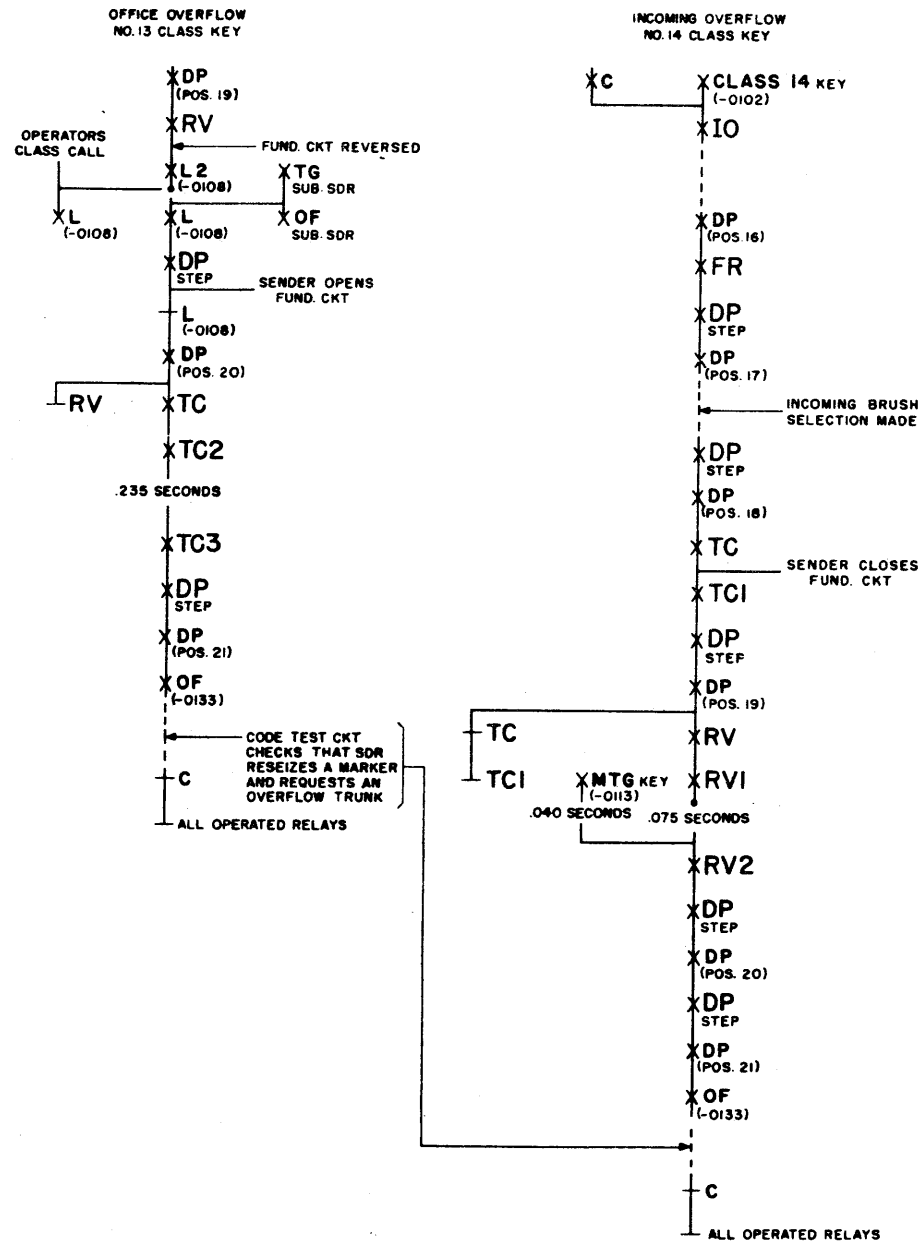


FIG. 63 - SEQUENCE CHARTS FOR FIGS. 61 & 62
SECTION - 0119-11, 12

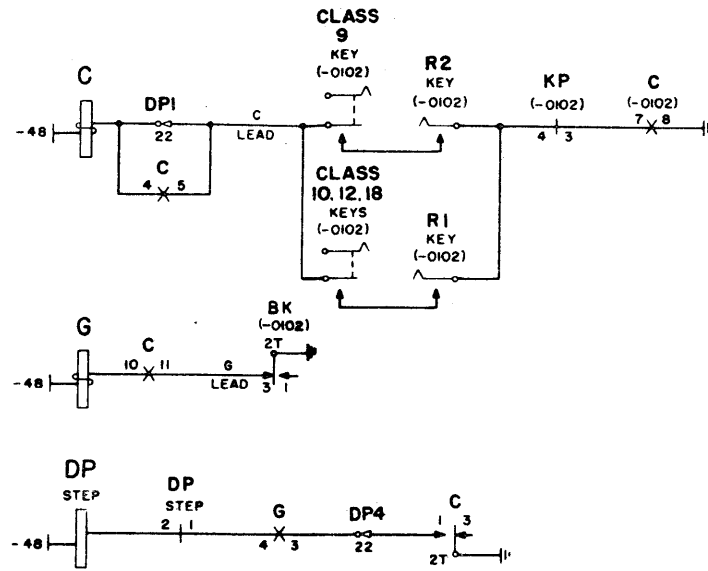


FIG. 64 - SEIZURE SECTION-0121-5

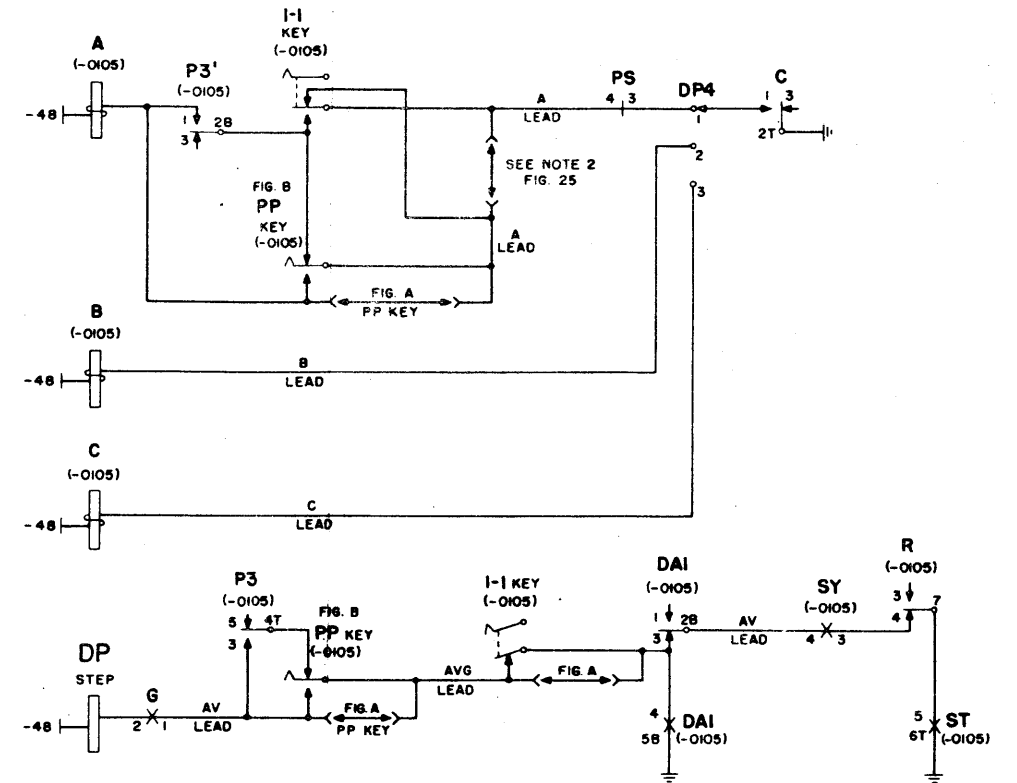


FIG. 65 - DIALING THE A, B AND C DIGITS
SECTION - 0121-6 & 7

ES-558991

ALLOW 8 3/8 INCHES
FOR BINDING
WHEN REDUCED

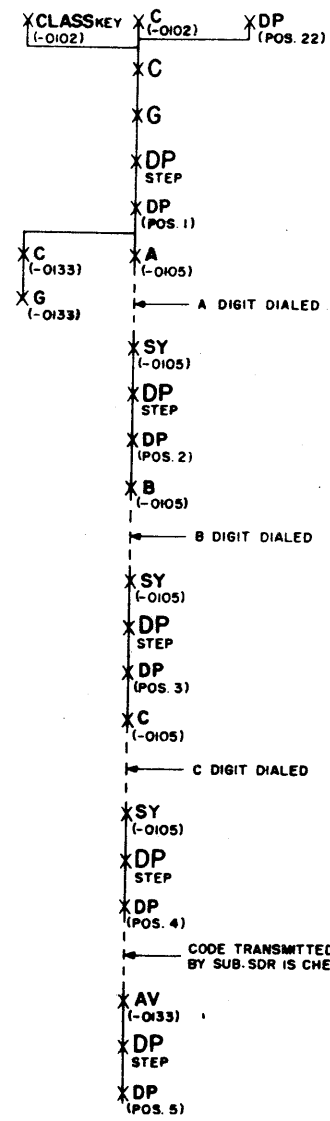


FIG. 66 - SEQUENCE CHART, SEIZURE AND DIALING SECTION - 0121-5, 6, 7, 8

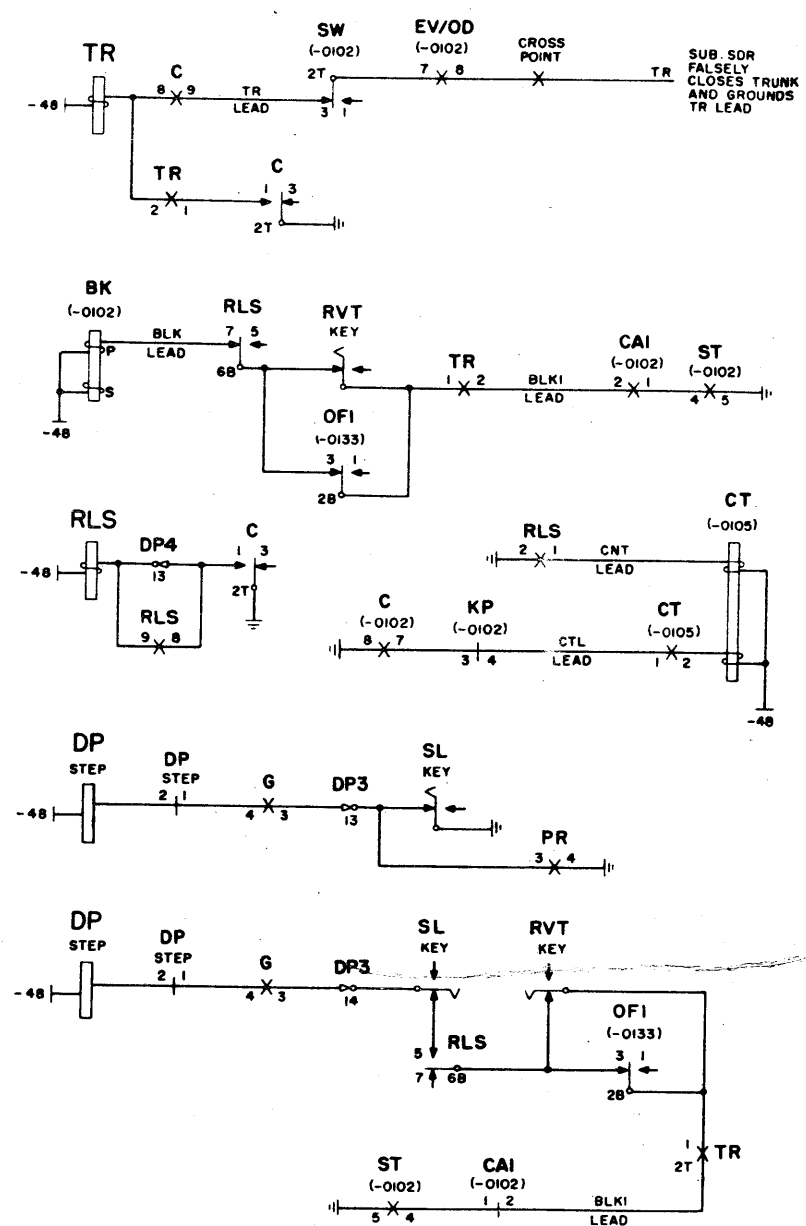
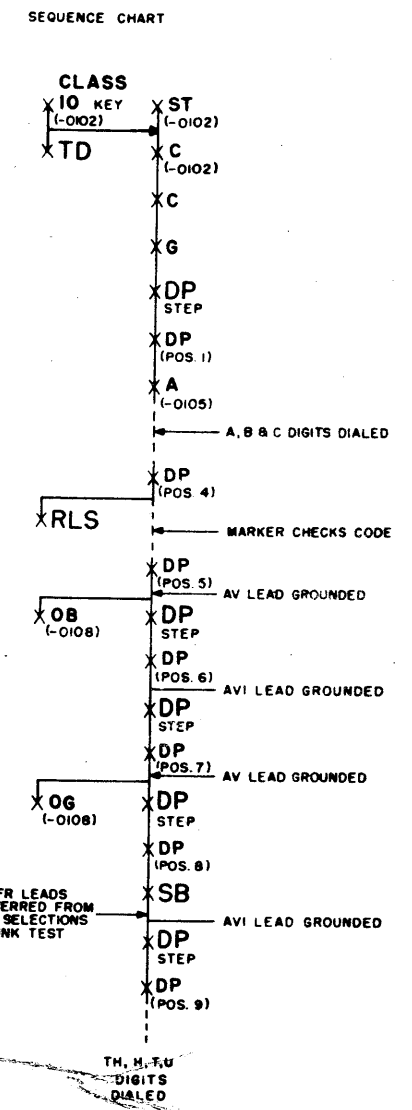


FIG. 67 - CHECK OF THE SENDER FOR AWAITING THE DIALING OF ALL DIGITS BEFORE GROUNDED THE TR LEAD SECTION - 0121-10

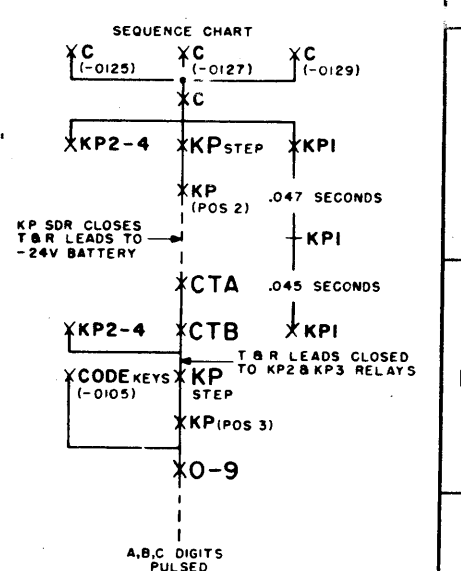
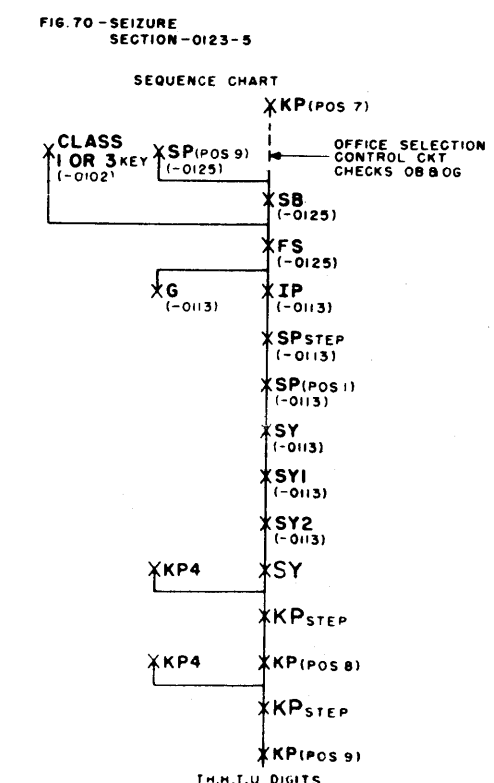
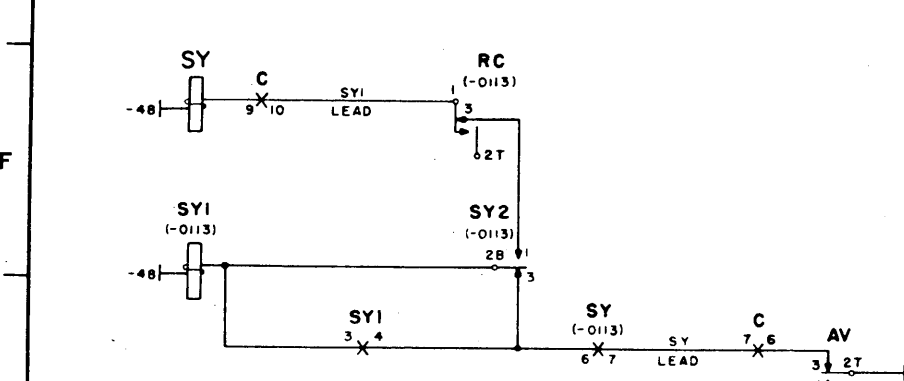
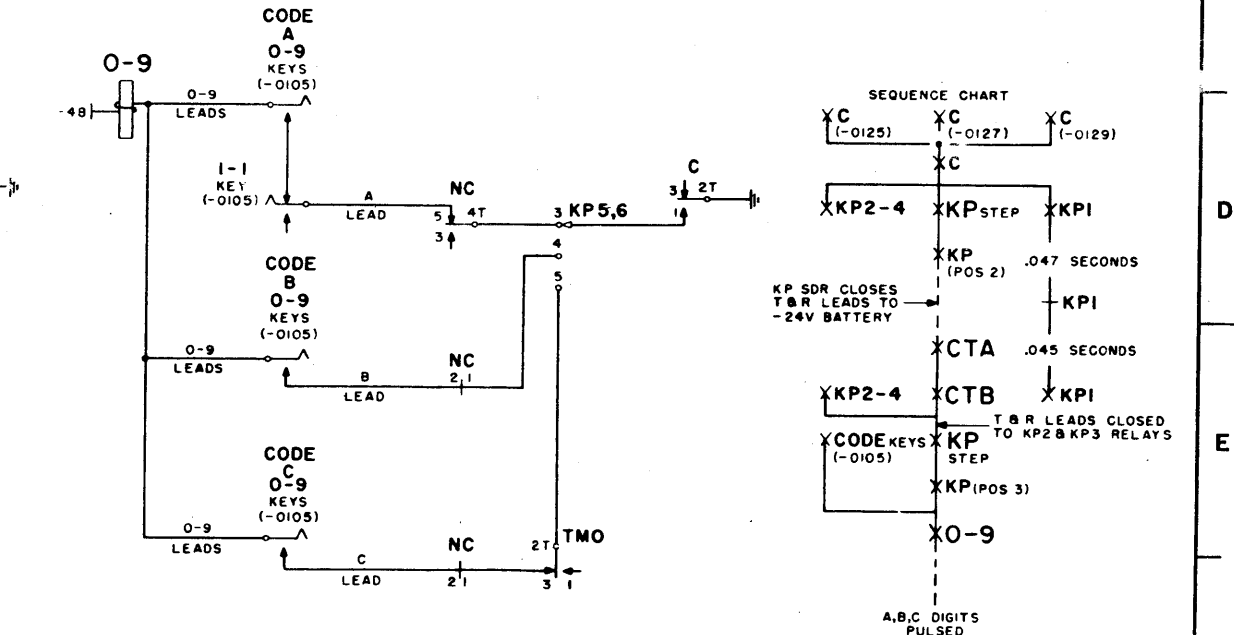
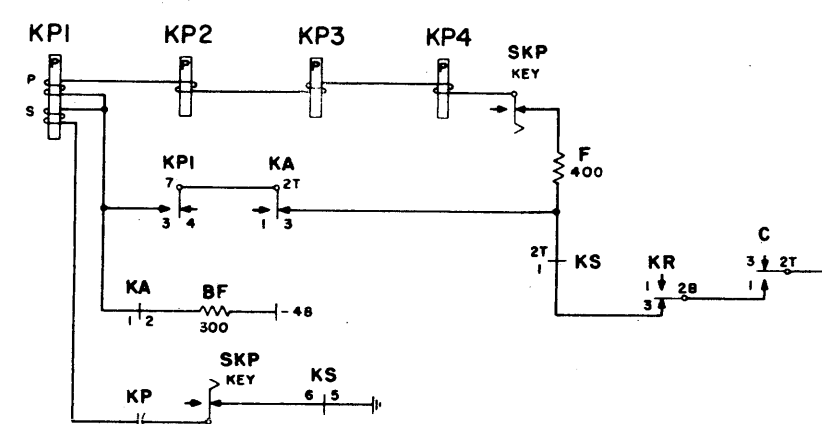
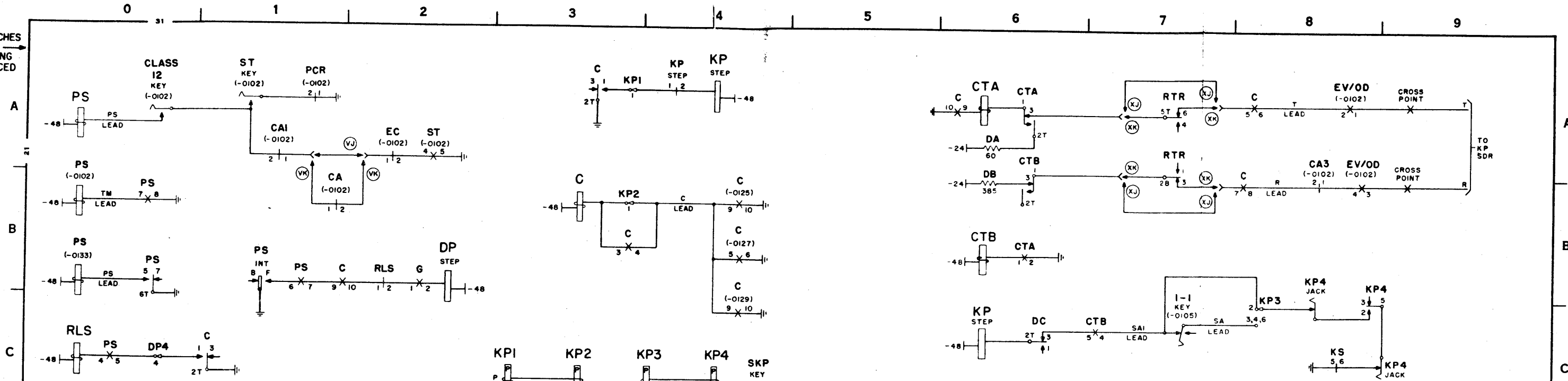


FIG. 68 - PANEL OR TANDEM CROSSBAR OFFICE SELECTIONS CLASS NO. 10 KEY OPERATED SECTION - 0121-12



ES-55891

LOW 8 3/8 INCHES
FOR BINDING
WHEN REDUCED



ES-55891

ALLOW 8 3/8 INCHES
FOR BINDING
WHEN REDUCED

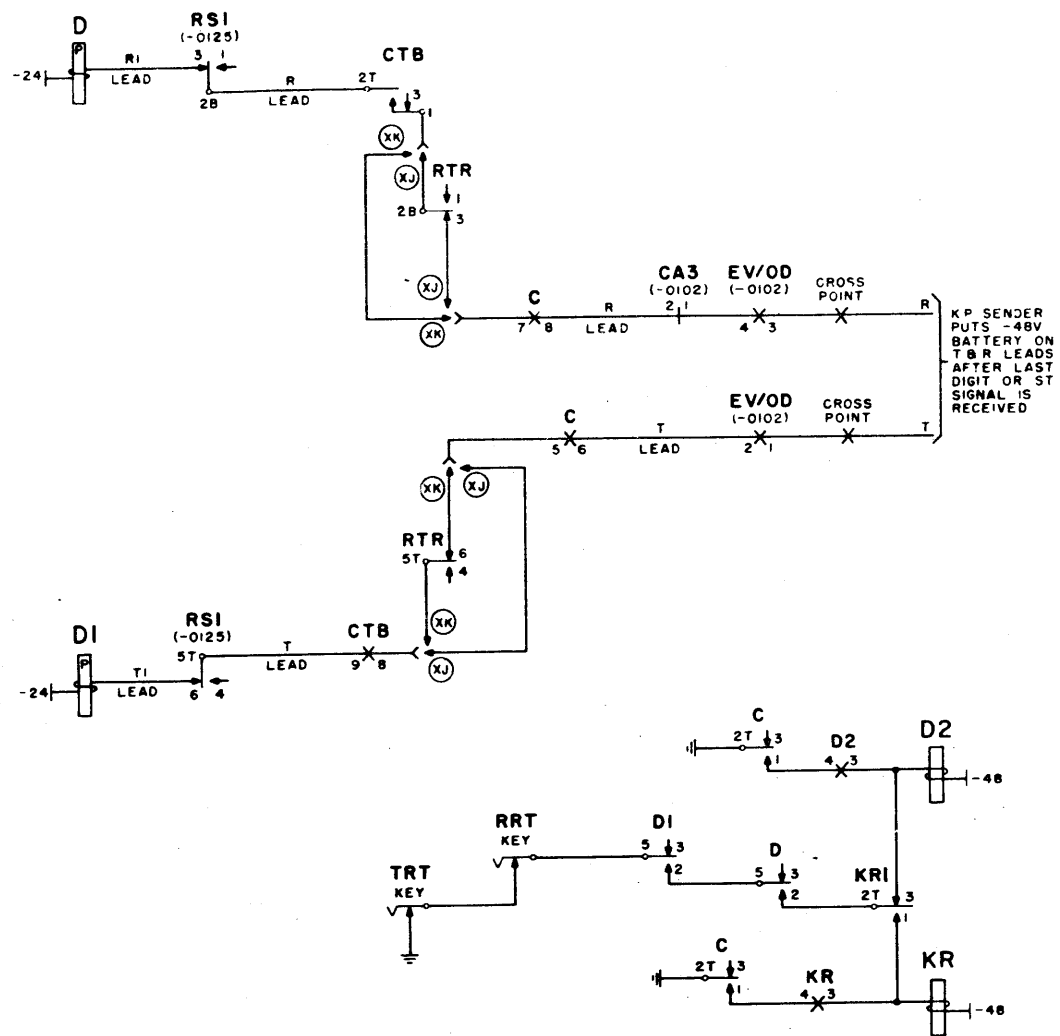


FIG. 73 - CHECK OF KEY RELEASE SECTION - 0123-7.5

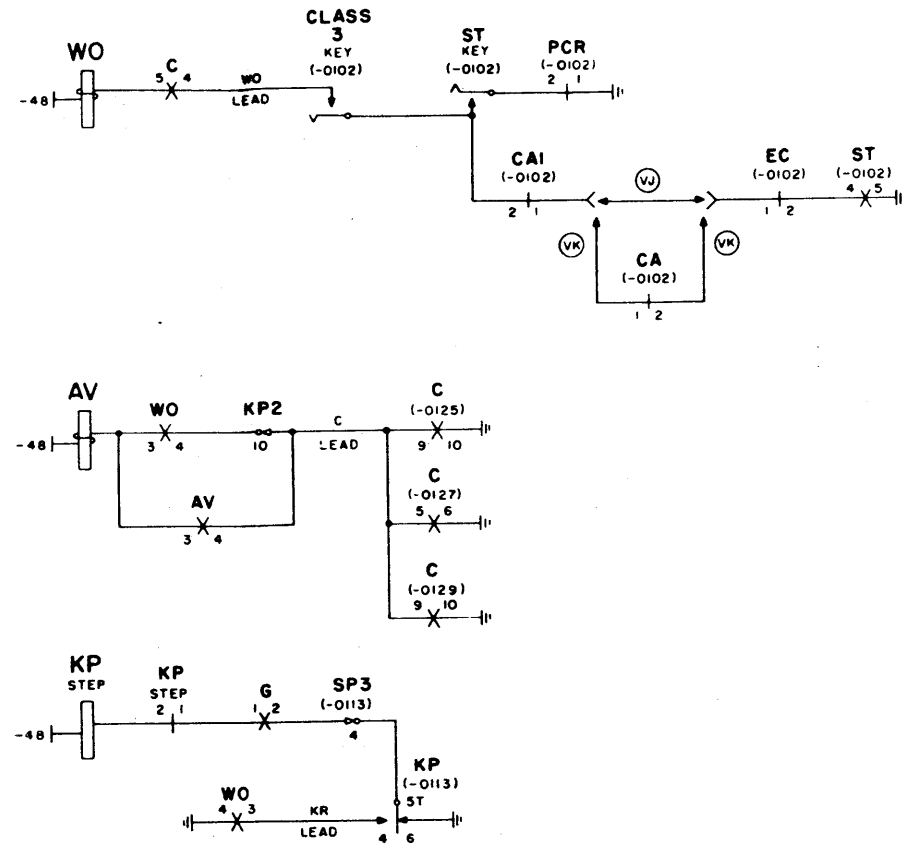


FIG. 74 - LATE RELEASE FULL SELECTOR - INCOMPLETE NUMERICAL REGISTRATION SECTION - 0123-8

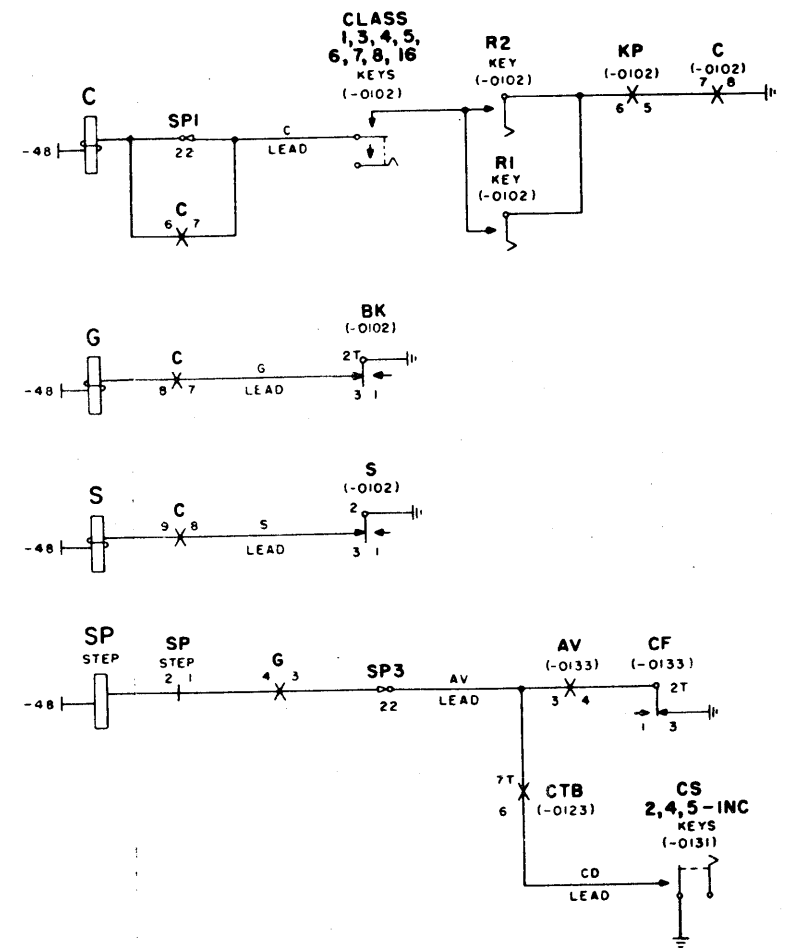


FIG. 75 - SEIZURE, AWAITING PULSING AND CHECK OF CODE SECTION - 0125-5,6

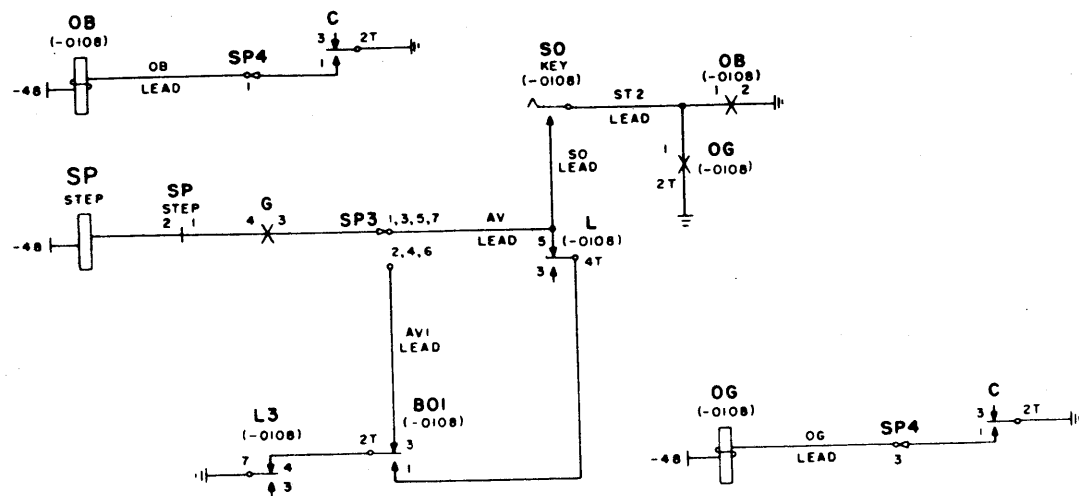


FIG. 76 - OFFICE BRUSH, OFFICE GROUP AND SKIP OFFICE SELECTIONS SECTION - 0125-7,8,10

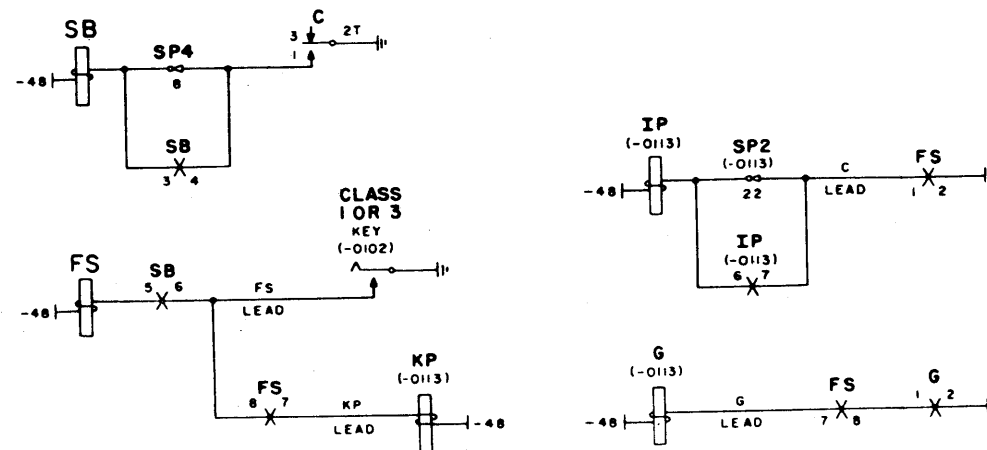


FIG. 77 - FULL SELECTOR TESTS - SEIZURE OF INCOMING AND FINAL SELECTIONS CONTROL CIRCUIT SECTION - 0125-11.1

ES-558991

CD-25221-01		2	ES-558991
BELL TELEPHONE LABORATORIES INCORPORATED			
		6S	

ISSUE
10

LOW 8 3/8 INCHES
FOR BINDING
WHEN REDUCED

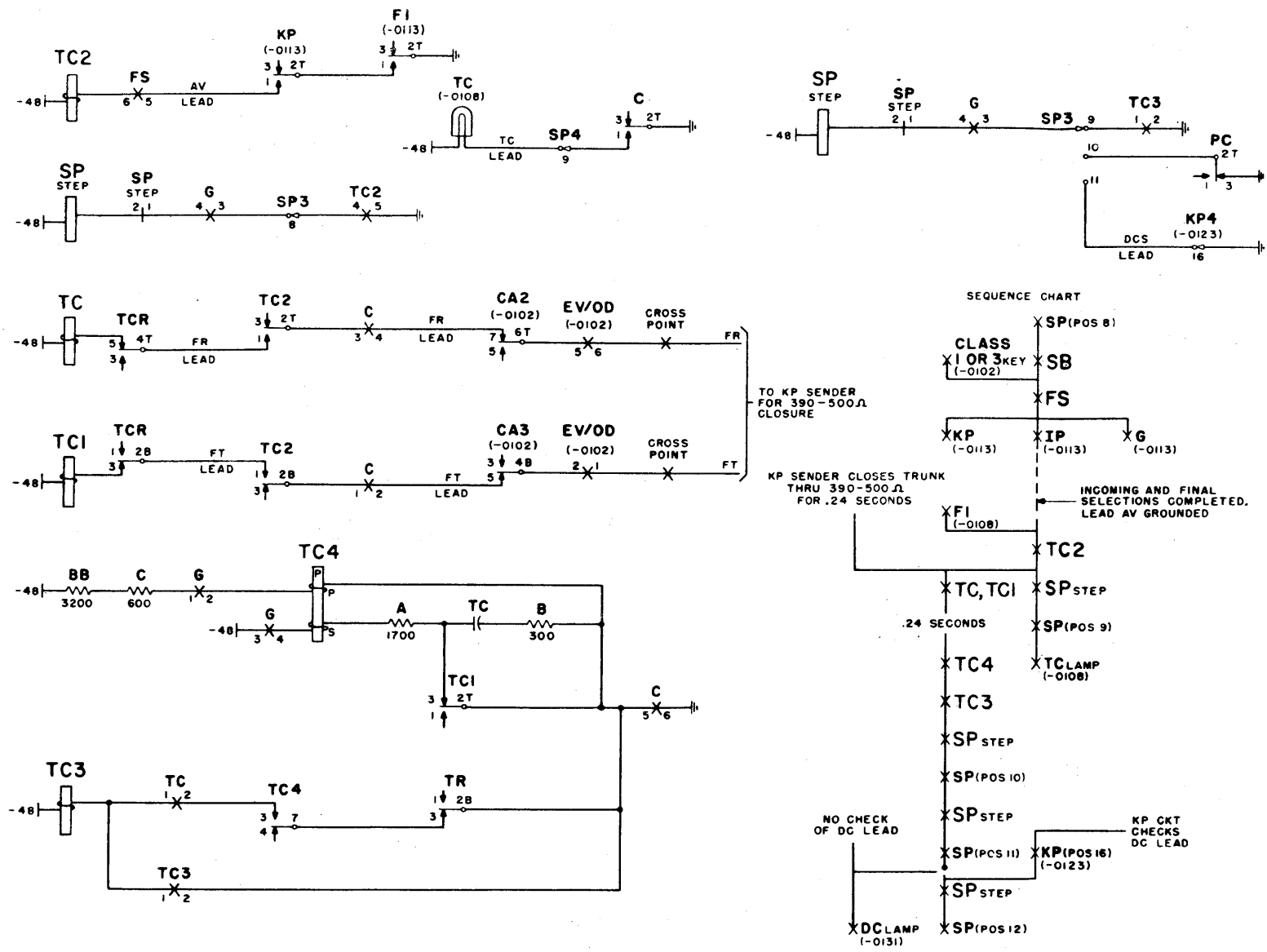


FIG. 78 - TRUNK CLOSURE TEST
SECTION-0125-11.2

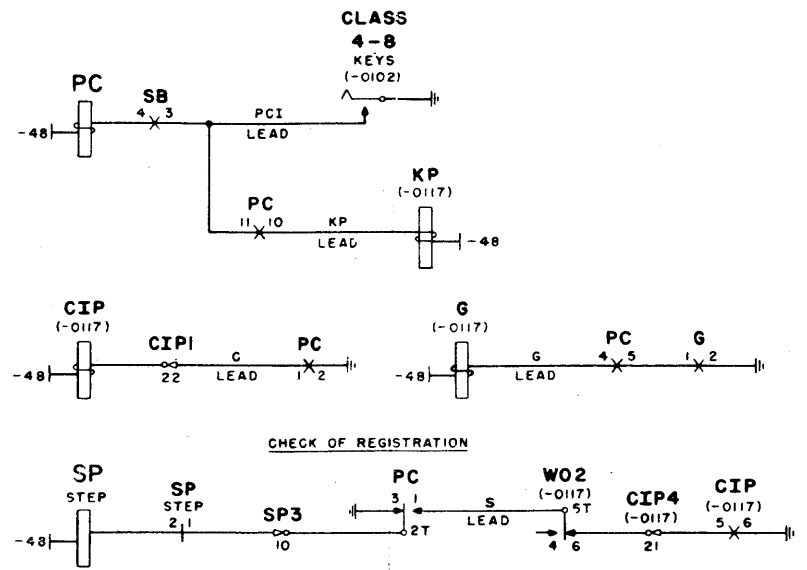


FIG. 79 - CALL INDICATOR CALLS-SEIZURE PCI REGISTER CIRCUIT
SECTION-0125-12

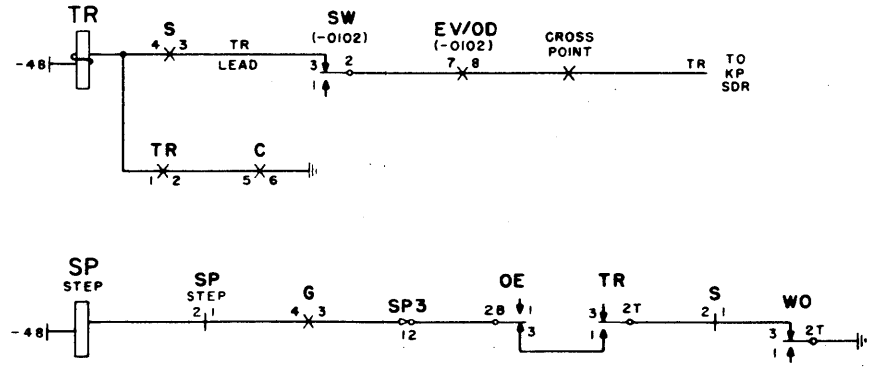


FIG. 80 - CHECK OPERATION OF TR AND DC RELAYS, AND RELEASE OF S RELAY
SECTION-0125-13

ES-558991

CD-25221-0		ISSUE 10
2		ES-558991
BELL TELEPHONE LABORATORIES INCORPORATED		SHEET 25
6S		

LOW 8 3/8 INCHES
FOR BINDING
WHEN REDUCED

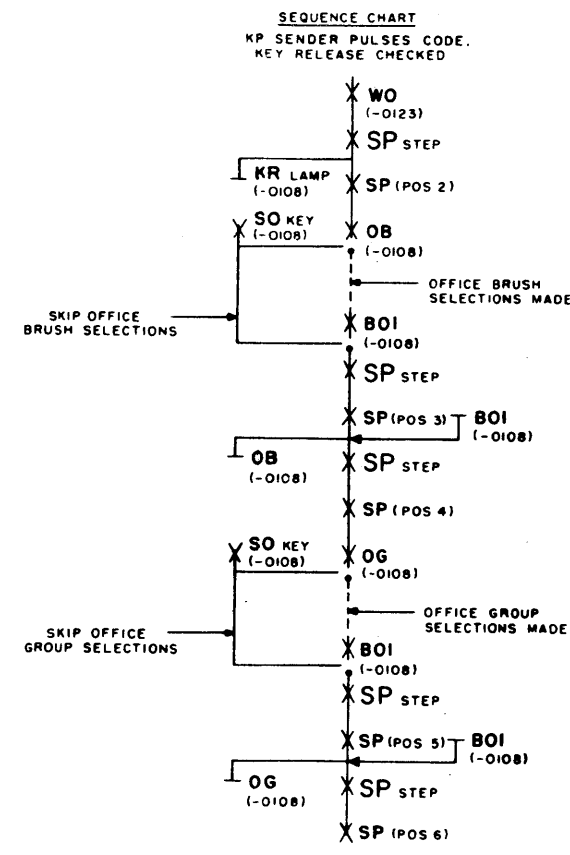
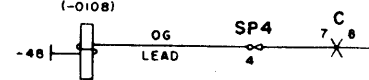
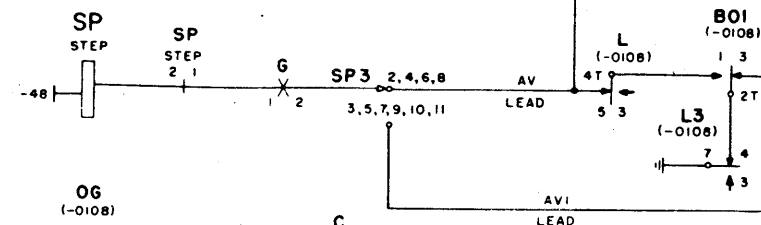
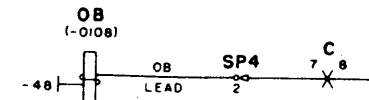
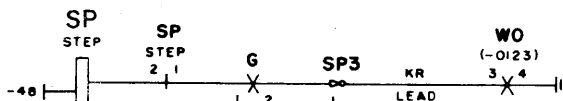
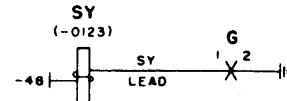
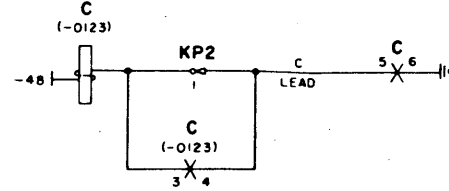
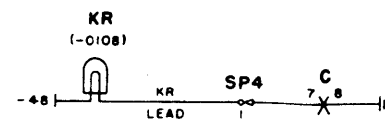
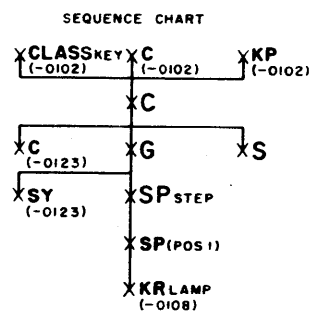
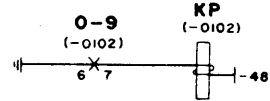
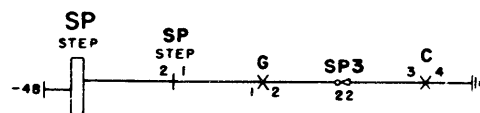
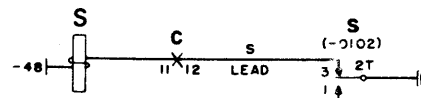
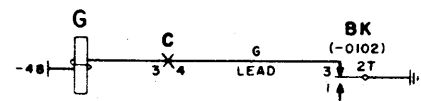
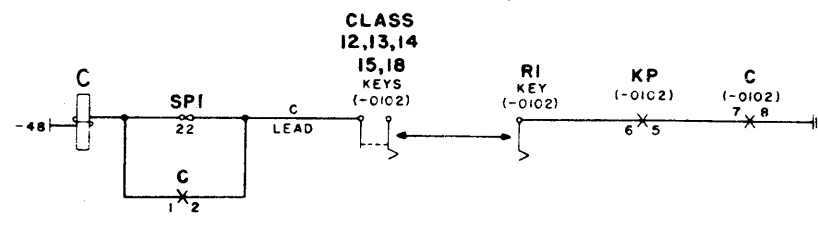


FIG 81 - SEIZURE SECTION -0127-5

FIG 82 - CHECKING OF THE KEY RELEASE SECTION -0127-6

FIG 83 - OFFICE BRUSH & OFFICE GROUP SELECTIONS. SKIP OFFICE SELECTION SECTION -0127-7, 8, 10

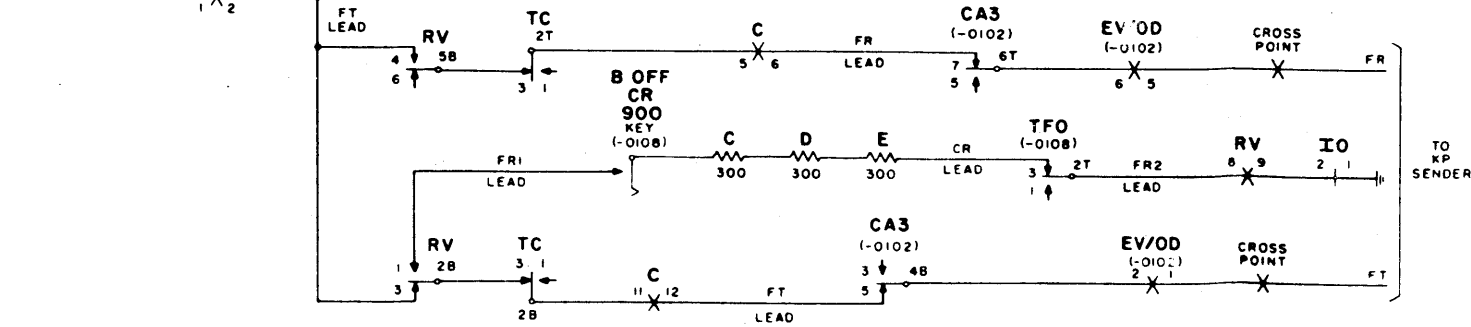
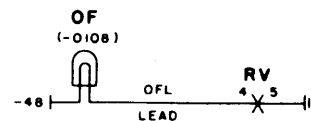
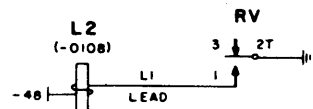
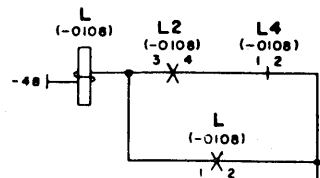
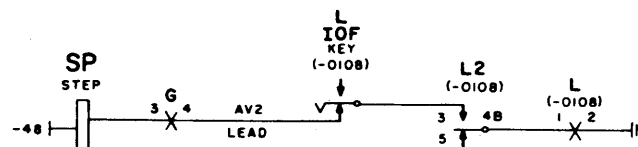
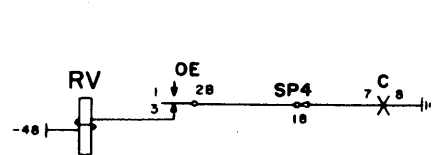


FIG 84 - OFFICE OVERFLOW TEST SECTION -0127-12

FIG 83 - OFFICE BRUSH & OFFICE GROUP SELECTIONS. SKIP OFFICE SELECTION SECTION -0127-7, 8, 10

ES-558991

ALLOW $8\frac{3}{8}$ INCHES
FOR BINDING
WHEN REDUCED

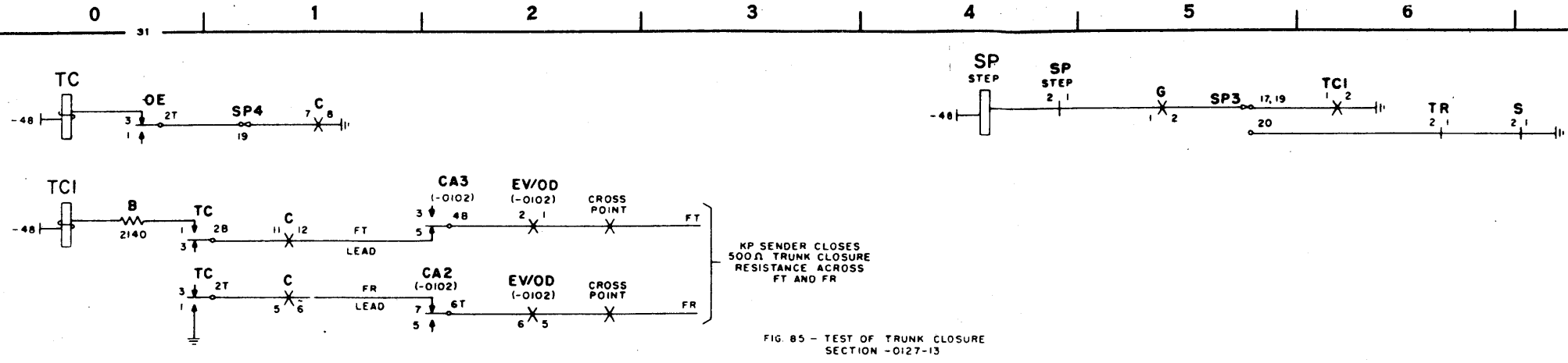
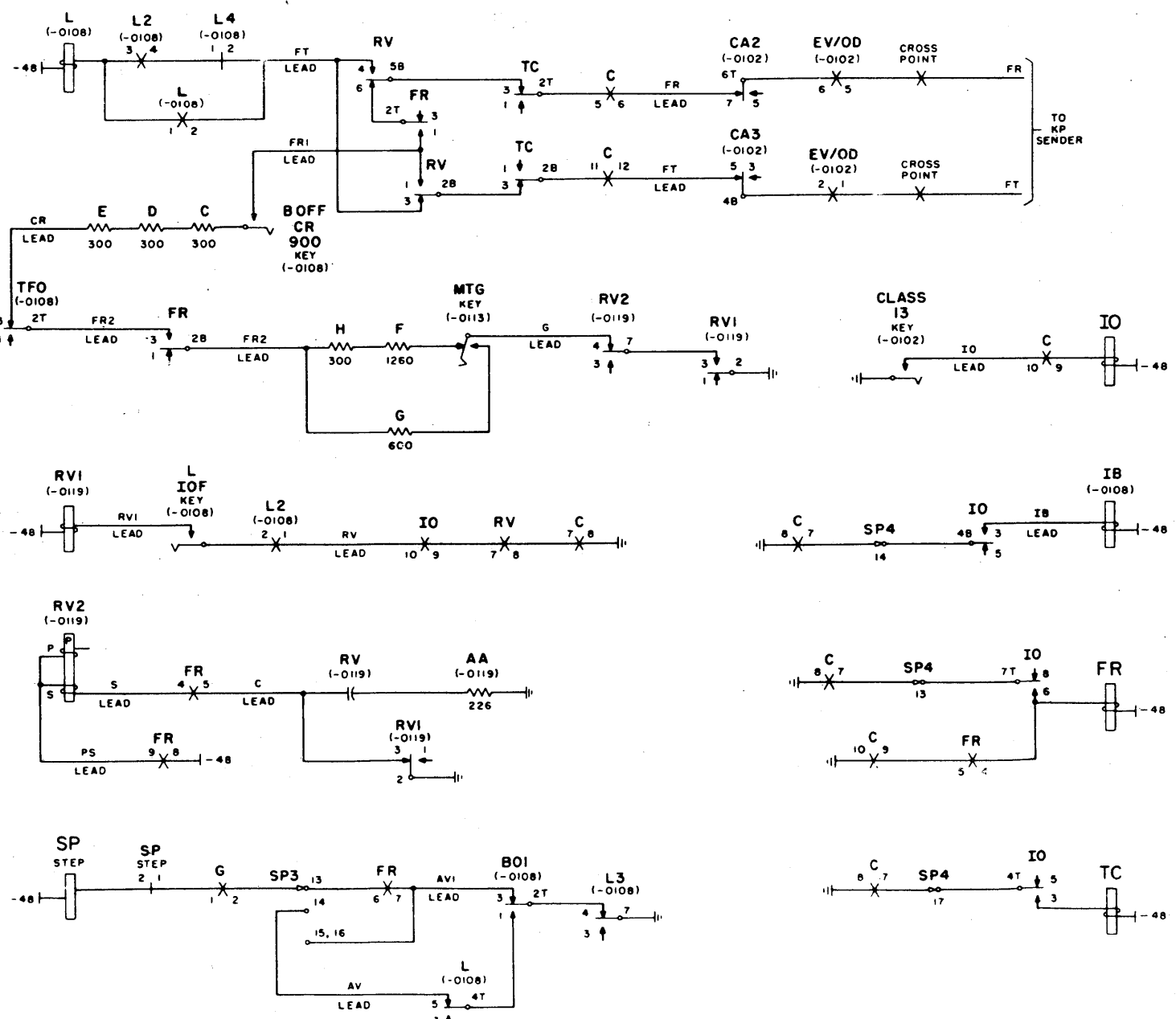


FIG 85 - TEST OF TRUNK CLOSURE SECTION - 0127-13



SEQUENCE CHART

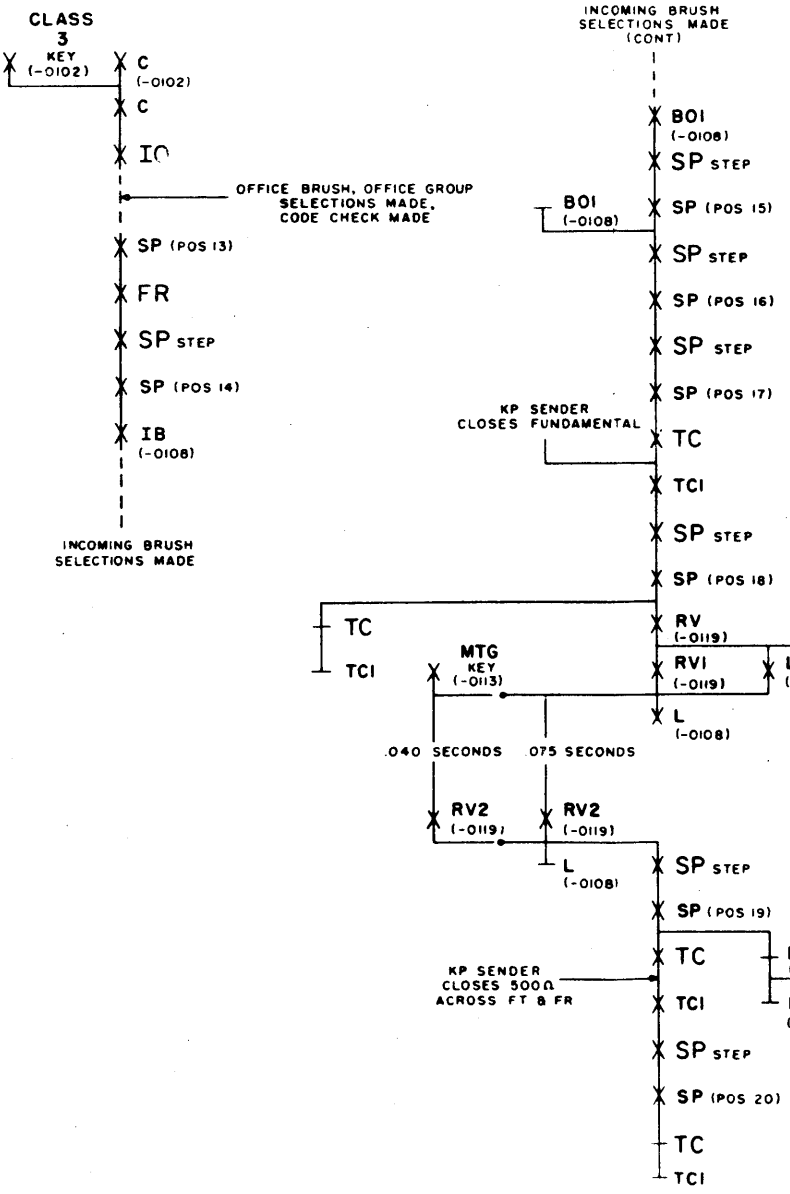


FIG 86 - INCOMING OVERFLOW SECTION - 0127-15

ES-558991

CD-25221-01	ISSUE 10
BELL TELEPHONE LABORATORIES INCORPORATED	ES-558991 SHEET 27

ALLOW 8 3/8 INCHES
FOR BINDING
WHEN REDUCED

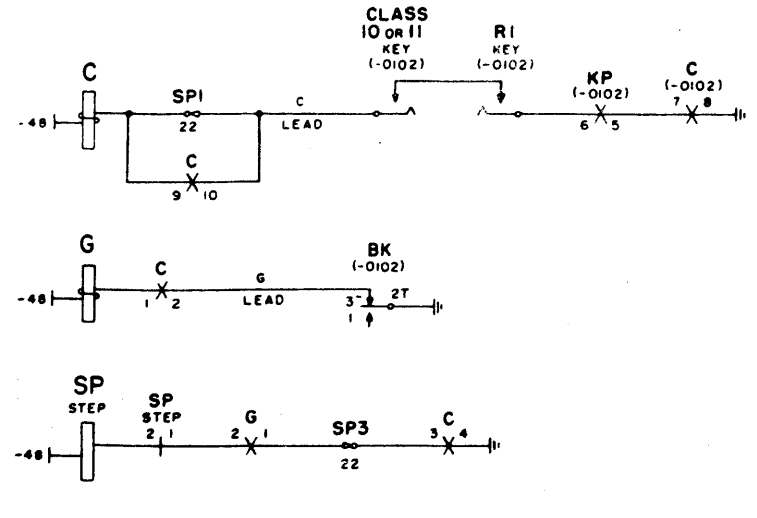


FIG. 87 - SEIZURE SECTION - 0129-5

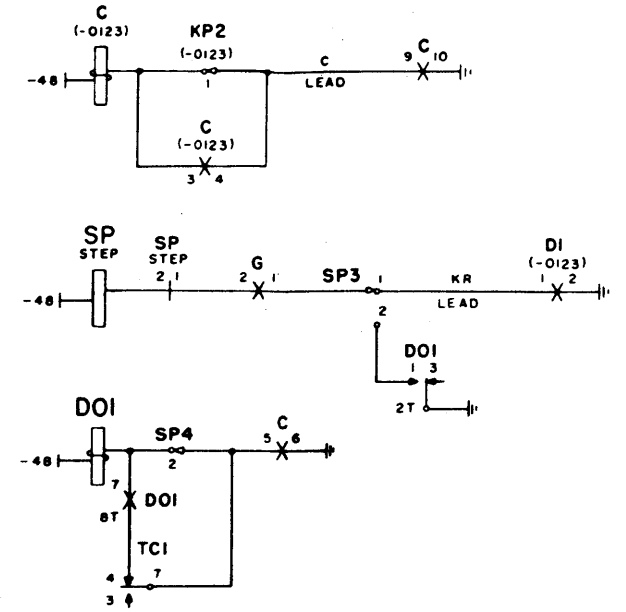


FIG. 88 - SEIZURE OF KP CIRCUIT SECTION - 0129-6

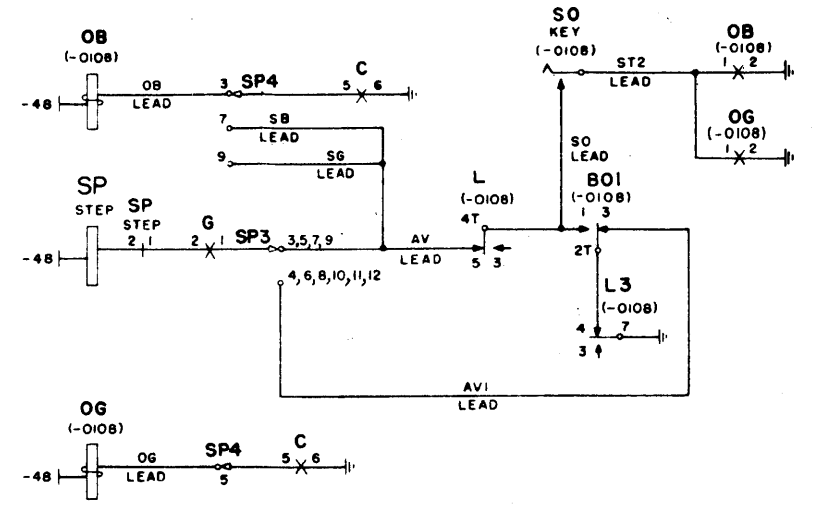


FIG. 89 - OFFICE BRUSH AND OFFICE GROUP SELECTIONS, SKIP OFFICE SELECTION SECTION - 0129-7, 8, 9

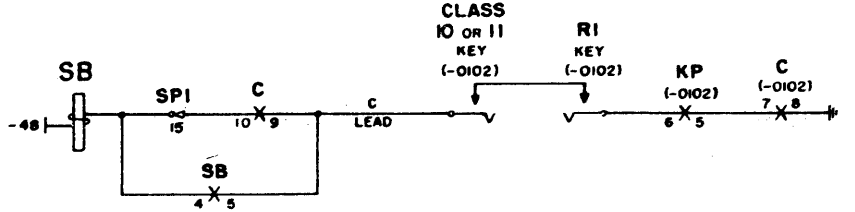
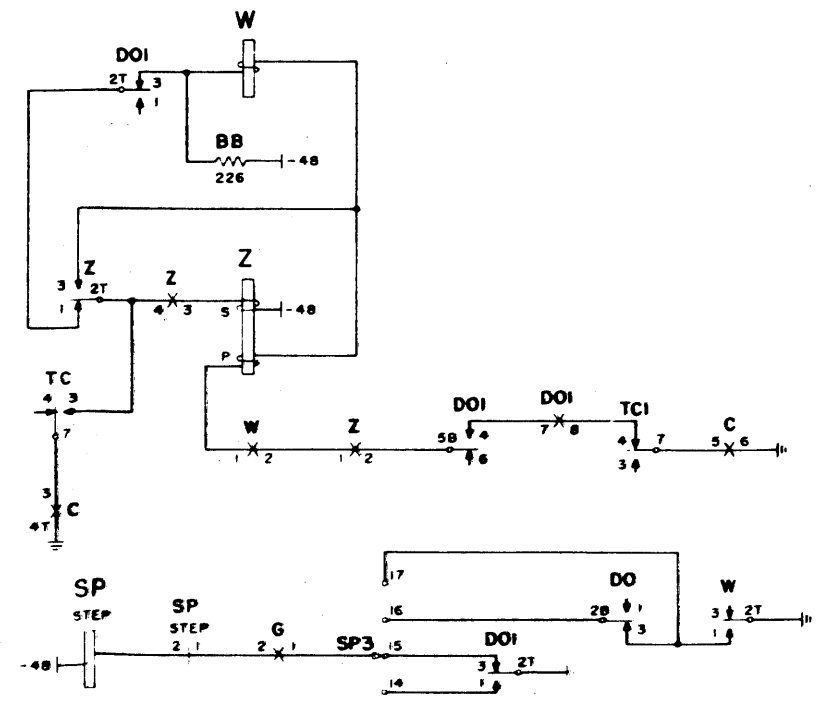
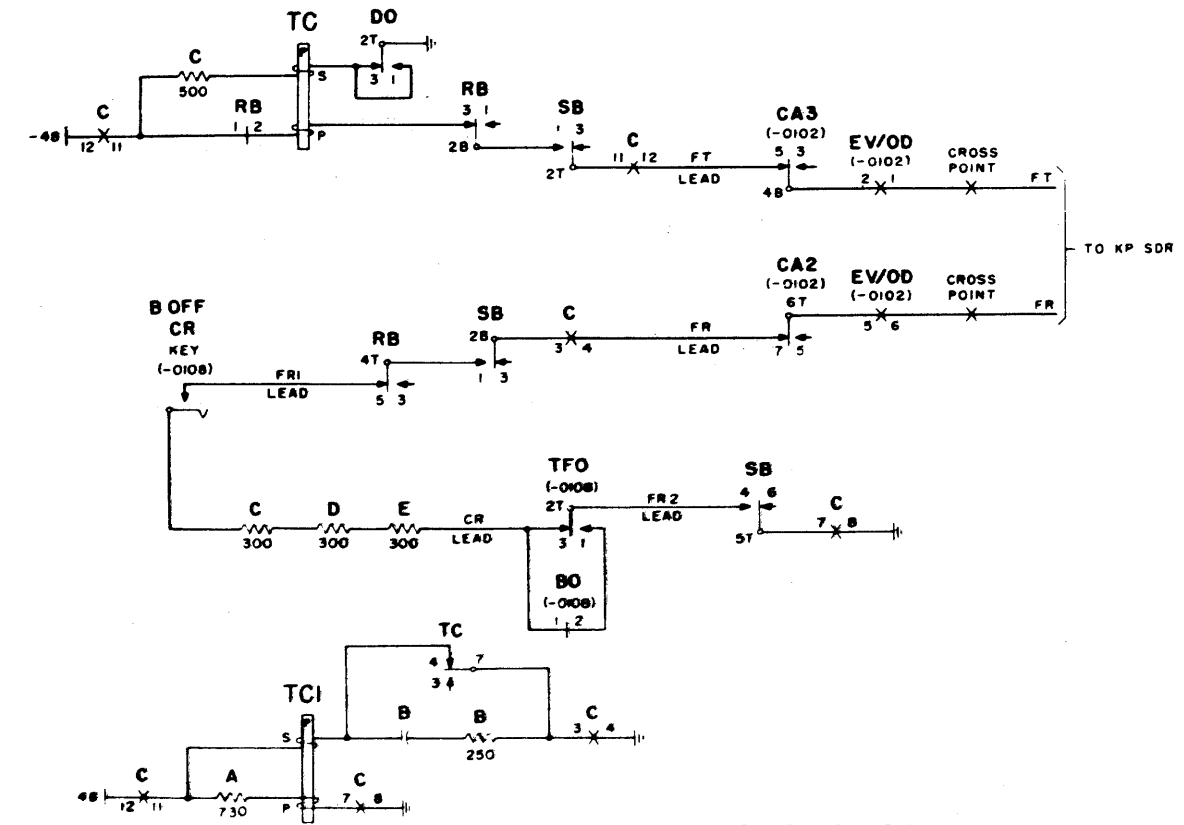


FIG. 90 - TRUNK TEST - NO DISTANT OFFICE SELECTOR SECTION - 0129-12



ES-55891

CD-25221-01		② ES-55891 SHEET 28	ISSUE 10
BELL TELEPHONE LABORATORIES INCORPORATED			6S

ALLOW 8 3/8 INCHES
FOR BINDING
WHEN REDUCED

SEQUENCE CHART

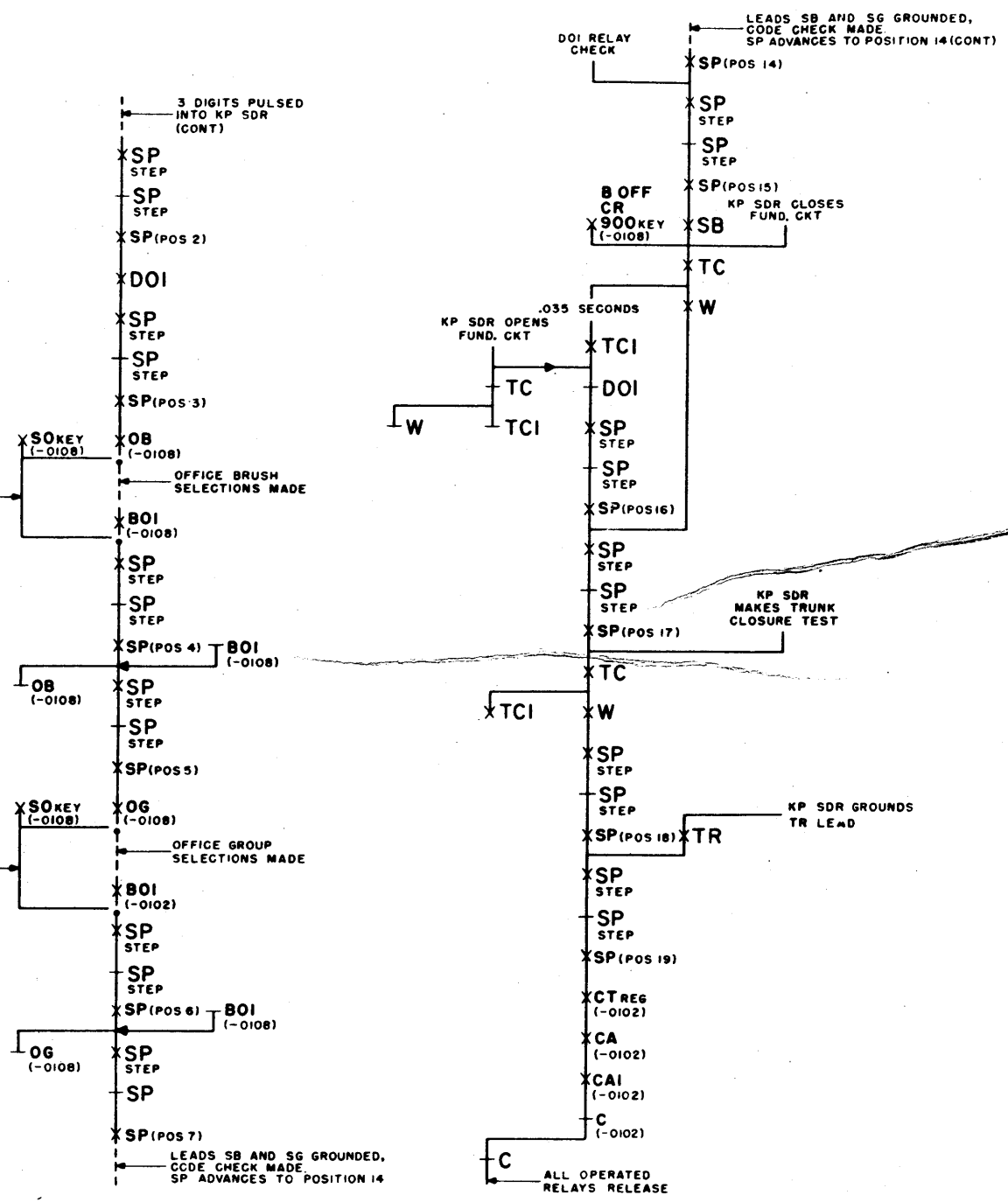
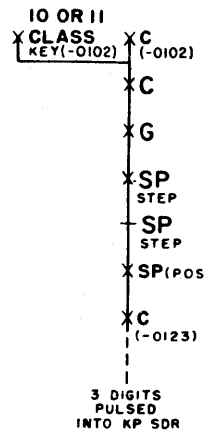
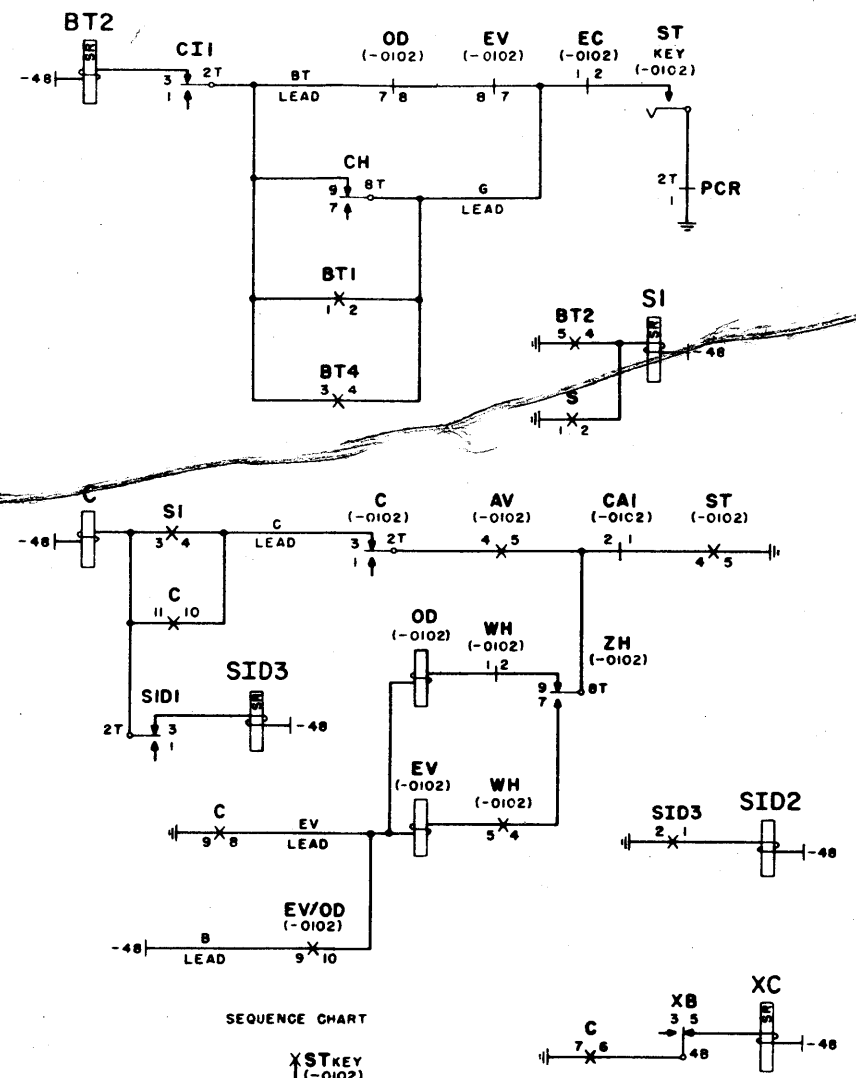


FIG. 91 - SEQUENCE CHART SECTION -0129



SEQUENCE CHART

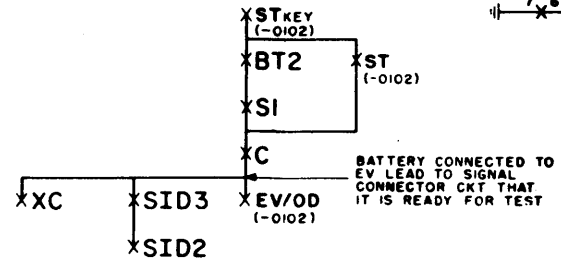


FIG. 92 - PRELIMINARY OPERATION AND SEIZURE SECTION -0131-5,6

ES-558991

ISSUE
10

CD-25221-01

2

ES-558991 SHEET 29

BELL TELEPHONE LABORATORIES INCORPORATED

6S

ALLOW 8 3/8 INCHES
FOR BINDING
WHEN REDUCED

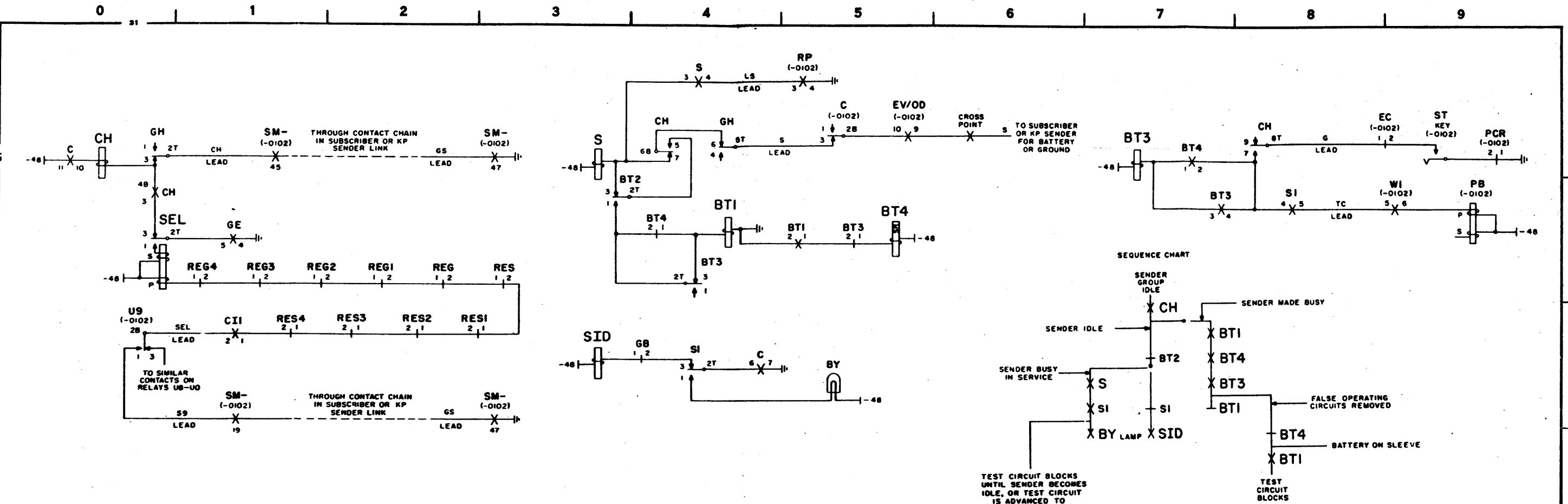


FIG. 93 - BUSY TEST SECTION - 0131-7

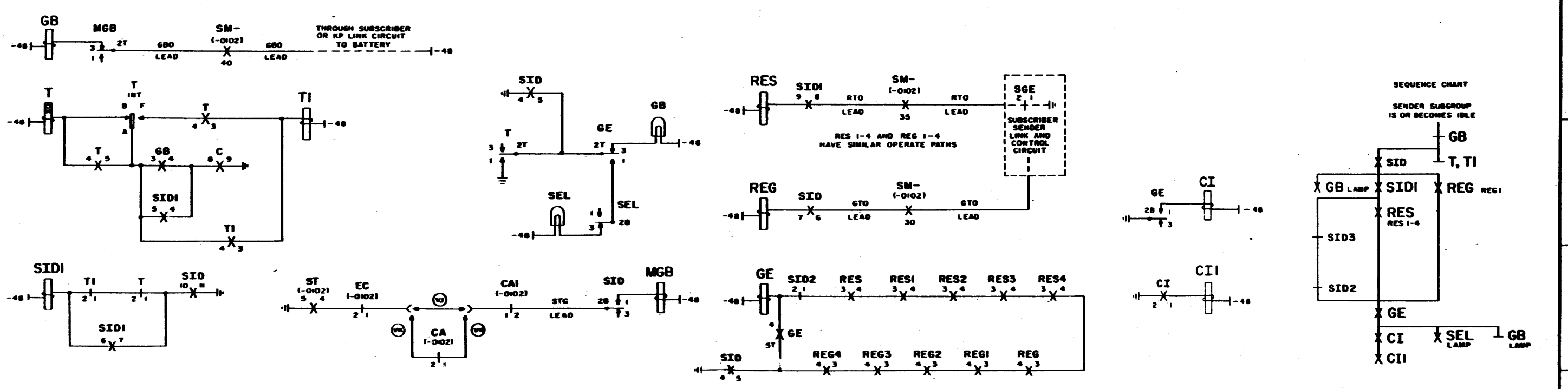


FIG. 94 - BUSY TEST OF SENDER GROUP SECTION - 0131-8

ES-558991

ALLOW 8 3/8 INCHES
FOR BINDING
WHEN REDUCED

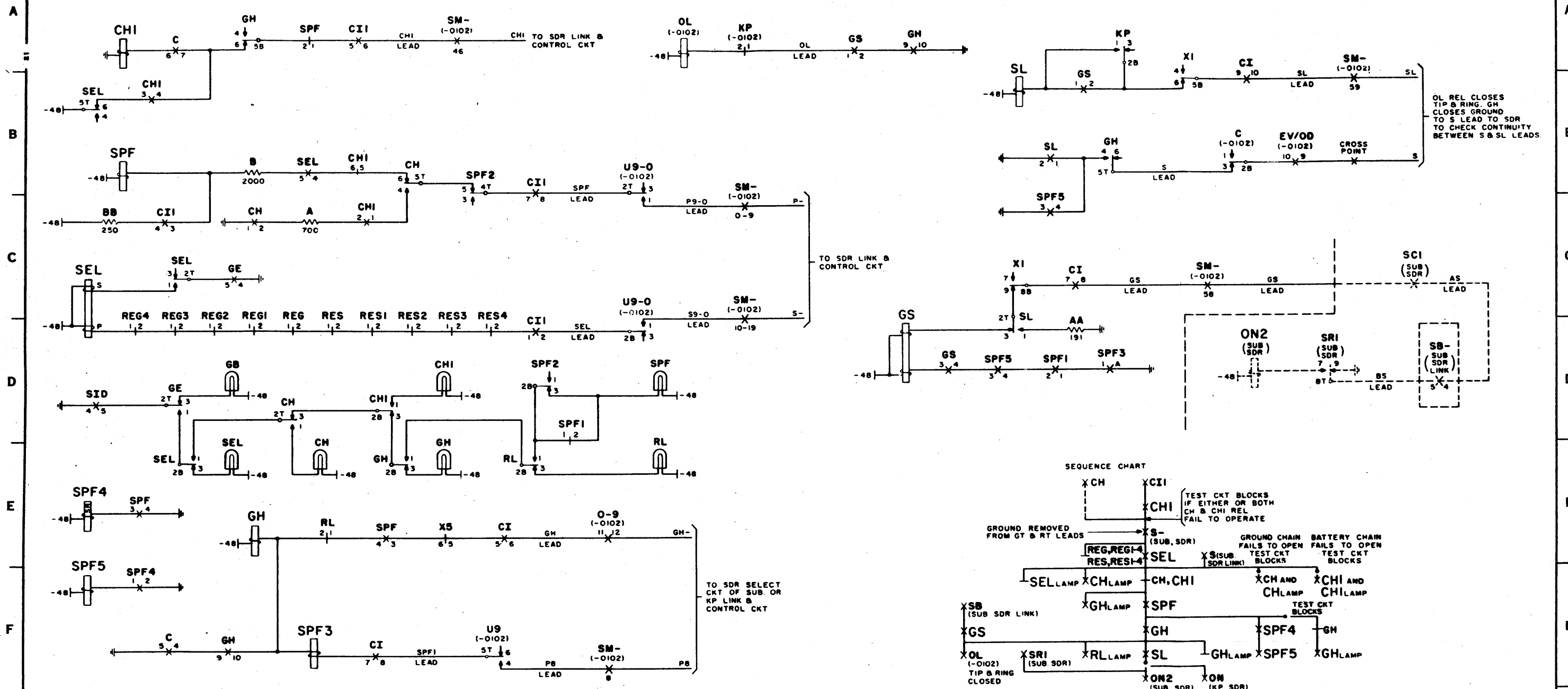


FIG. 35 - SEIZURE OF SENDER SECTION-0131-10

ES-558991

CD-25221-01		②	ES-558991
BELL TELEPHONE LABORATORIES INCORPORATED			

ISSUE 10

ALLOW 8 3/8 INCHES FOR BINDING WHEN REDUCED

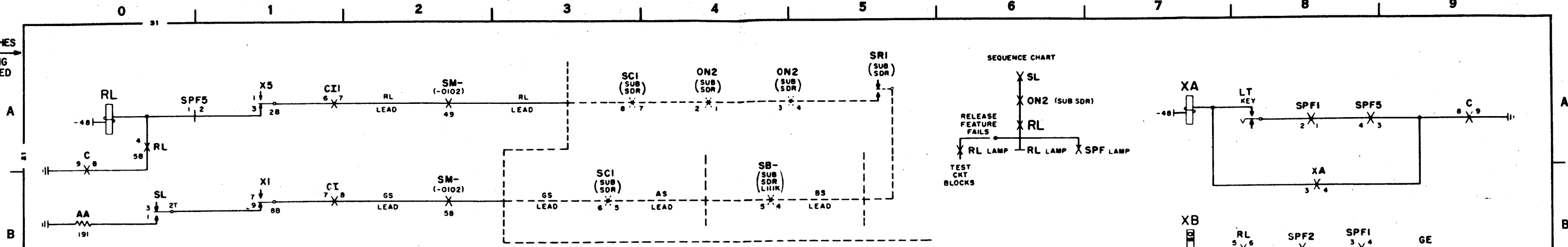


FIG. 96 - CHECK OF RELEASE SIGNAL SECTION - 0131-11

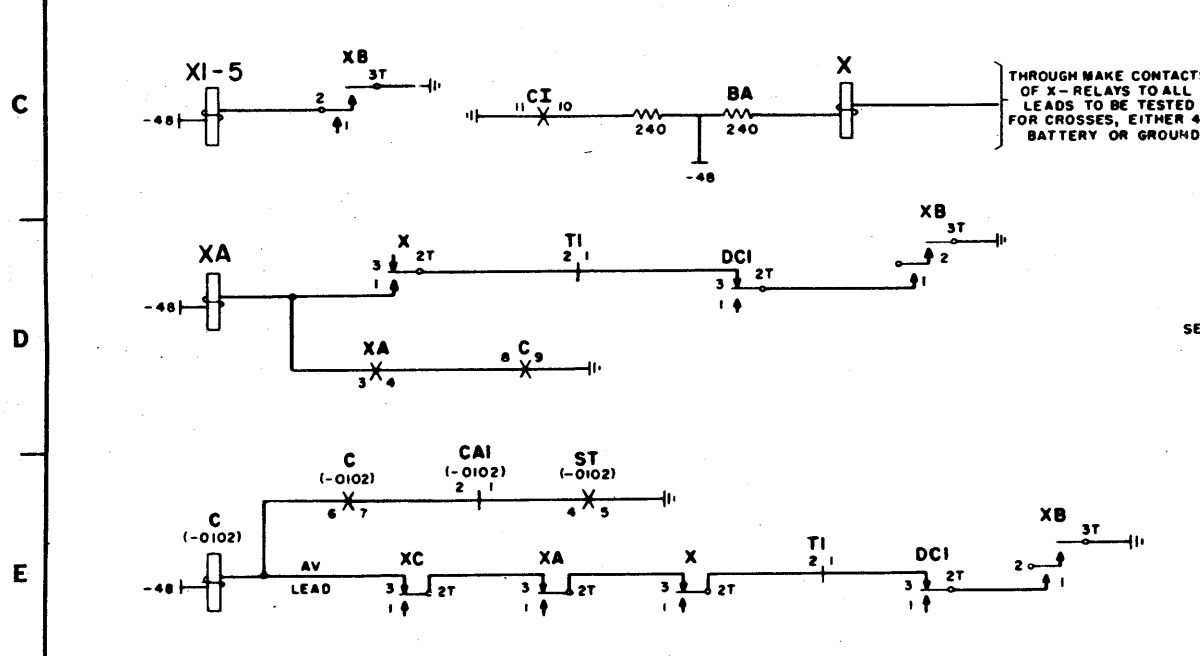


FIG. 98 - CHECK FOR CROSSES ON SC-RELAY CONTACTS SECTION - 0131-13

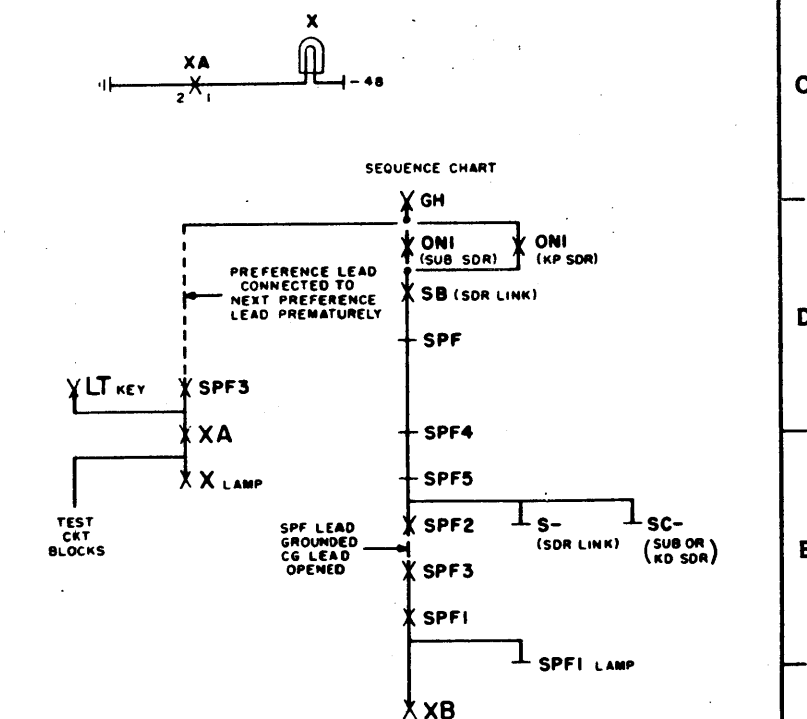


FIG. 97 - CHECK OF ADVANCE OF PREFERENCE LEAD TO NEXT SENDER - PREMATURE CLOSURE SECTION - 0131-12

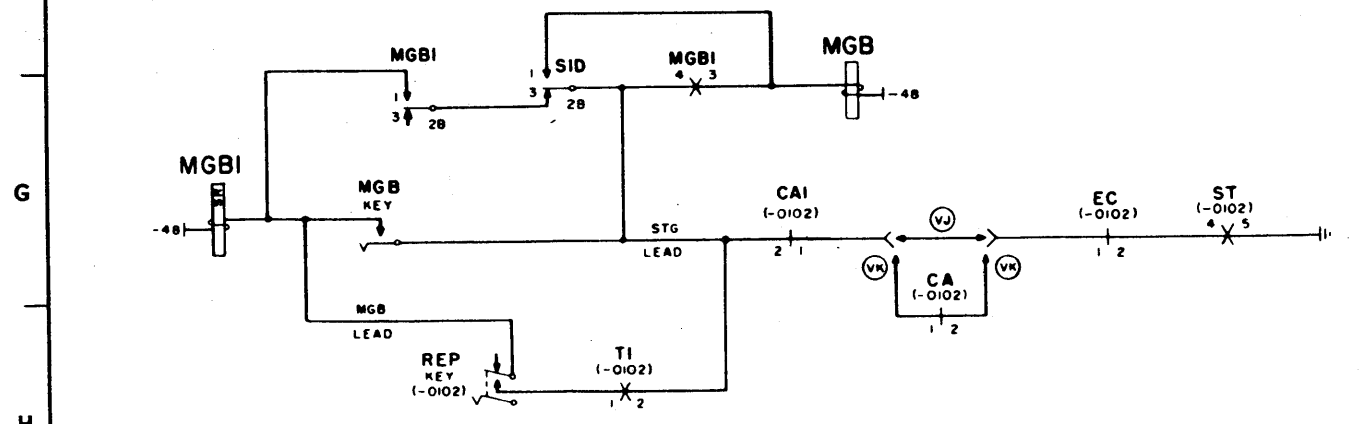


FIG. 99 - GROUP MAKE BUSY SECTION - 0131-16

ES-55891

CD-25221-01		ISSUE 10
BELL TELEPHONE LABORATORIES INCORPORATED		6S
		ES-55891 SHEET 32

ALLOW 8 3/8 INCHES
FOR BINDING
WHEN REDUCED

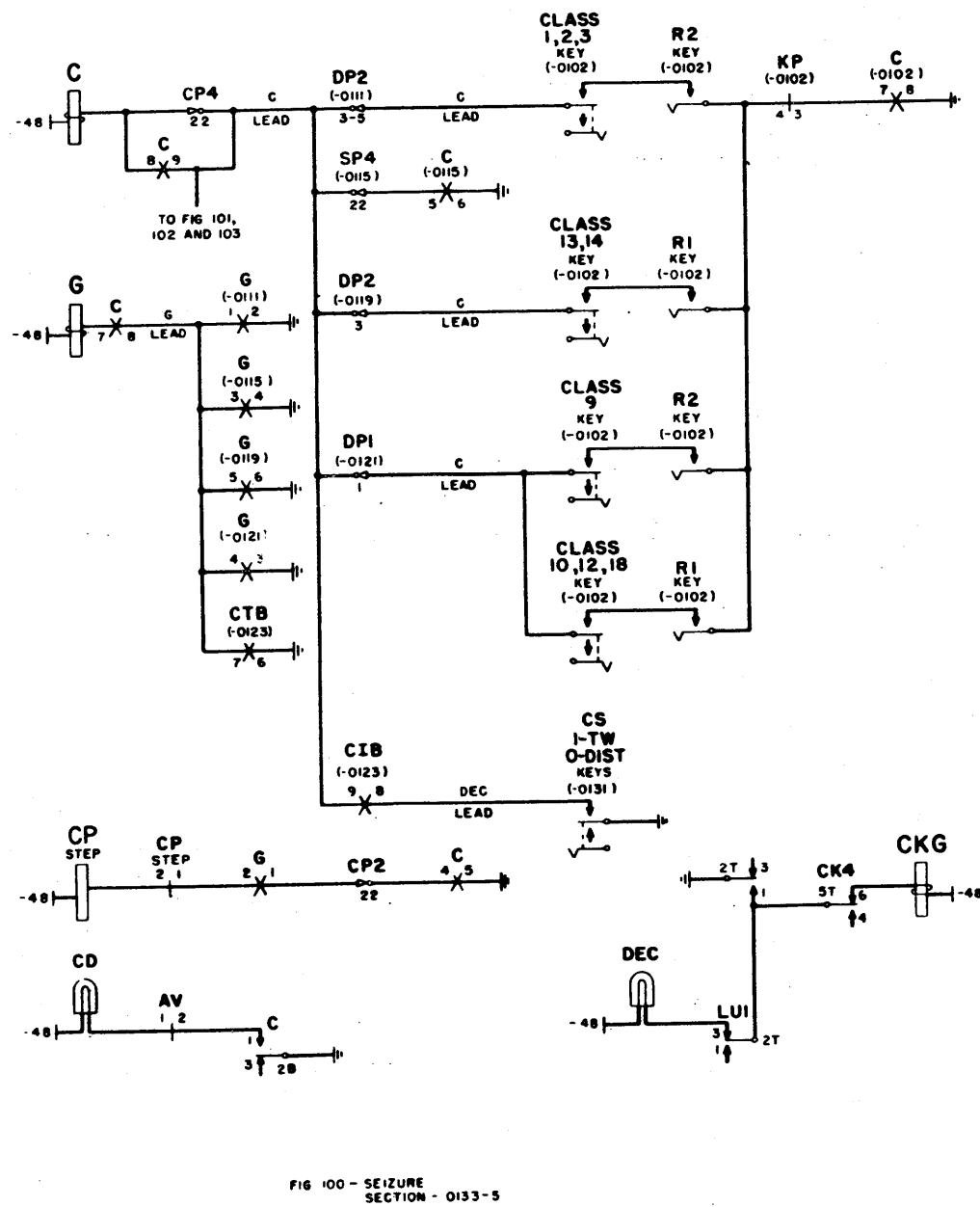
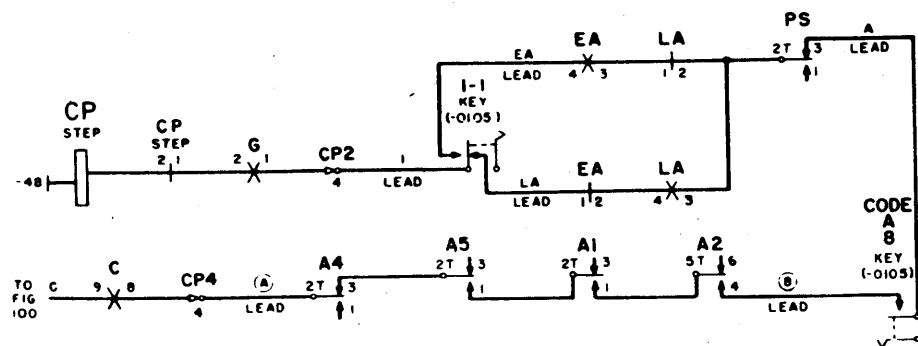


FIG 100 - SEIZURE SECTION - 0133-5



TYPICAL EXAMPLE ABOVE USING
DIGIT 8 FOR THE A DIGIT

FIG 102 - CHECKING THE A DIGIT
SECTION - 0133-8

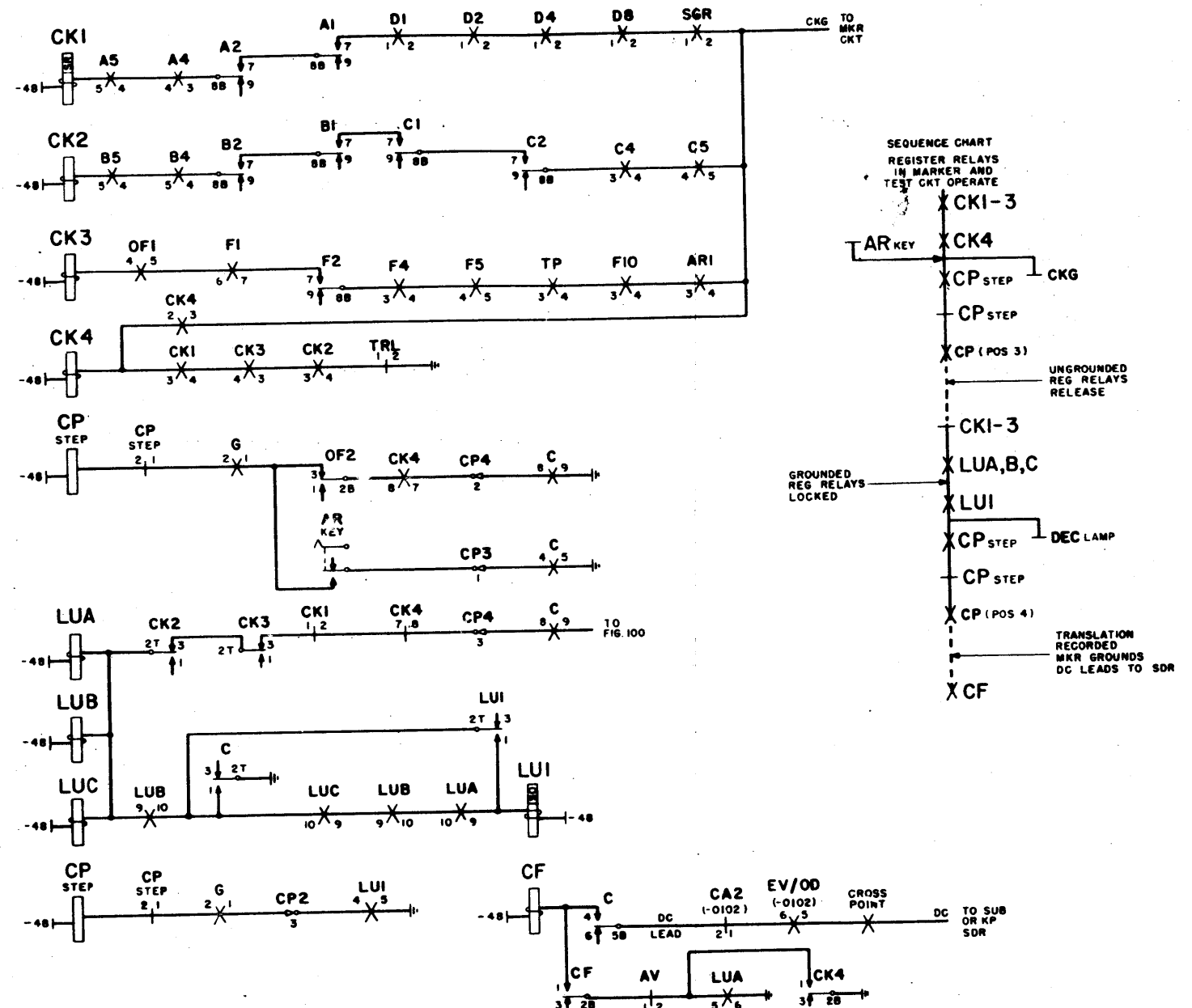
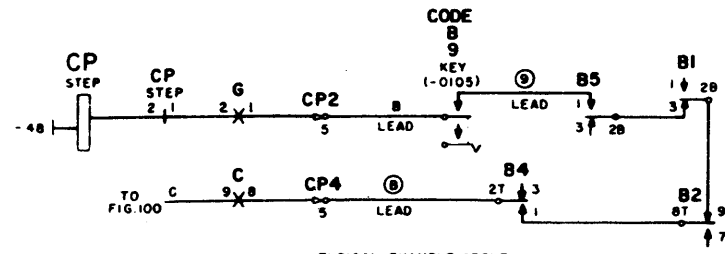


FIG 101 - REGISTRATION SECTION - 0133-7

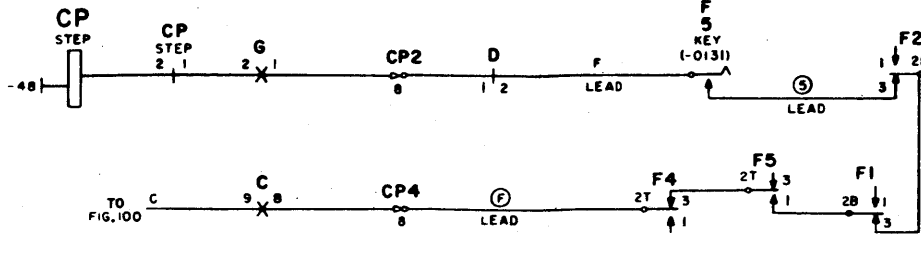
ES-558991

CD-25221-01	ISSUE 10
BELL TELEPHONE LABORATORIES INCORPORATED	ES-558991 SHEET 33

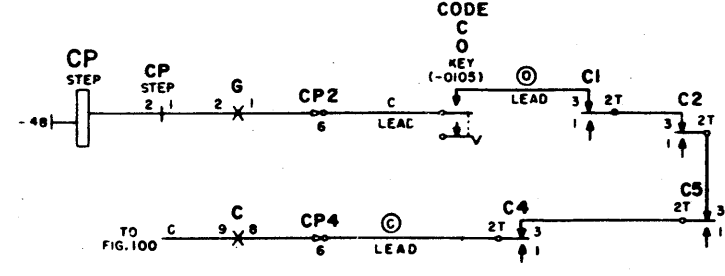
ALLOW 8 3/8 INCHES FOR BINDING WHEN REDUCED



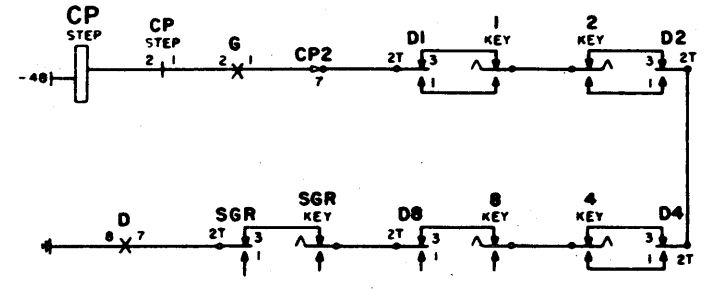
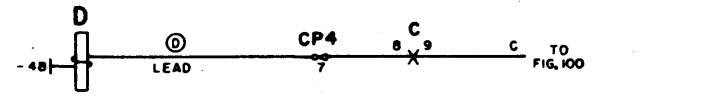
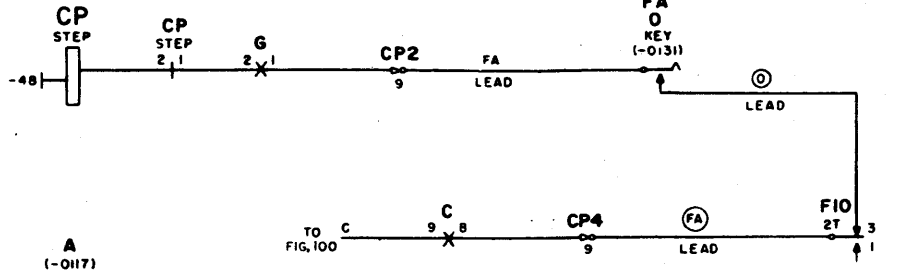
TYPICAL EXAMPLE ABOVE USING 9 AS THE B DIGIT



TYPICAL EXAMPLE ABOVE USING 5 AS THE F DIGIT (UNITS DIGIT OF FRAME IDENTIFICATION)



TYPICAL EXAMPLE ABOVE USING 0 AS THE C DIGIT



TYPICAL EXAMPLE ABOVE USING 1 AND 2 KEYS FOR CLASS OF SERVICE D DIGIT

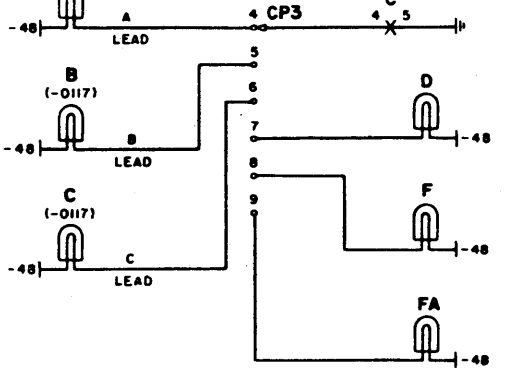


FIG. 103 - CHECKING THE OTHER DIGITS SECTION - 0133-9

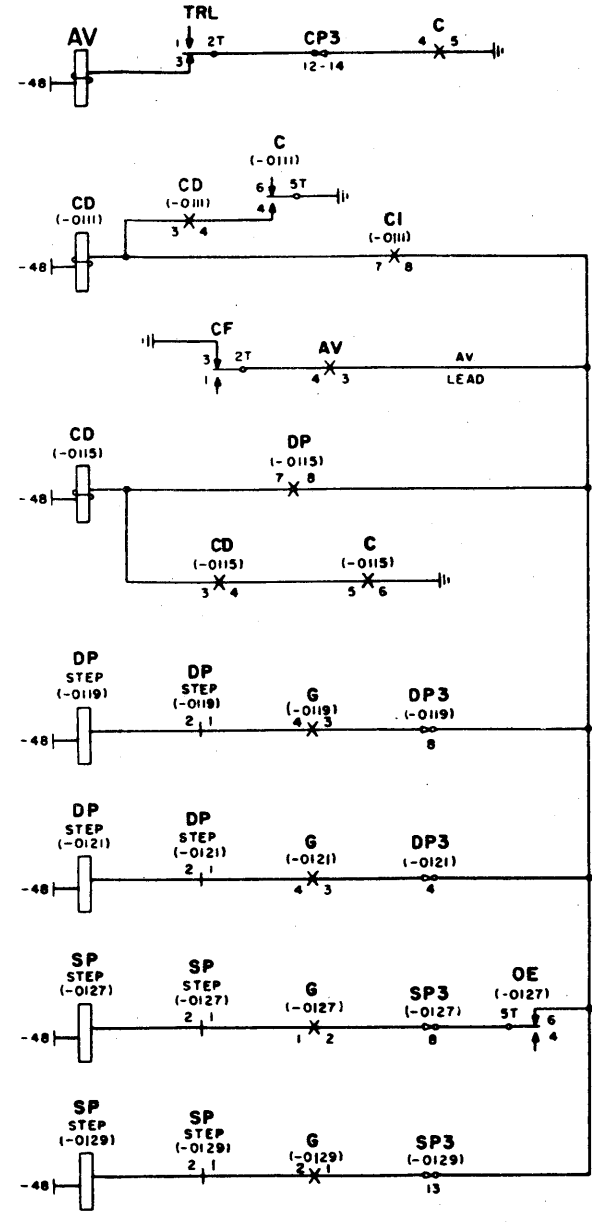


FIG. 104 - RELEASE SECTION - 0133-10

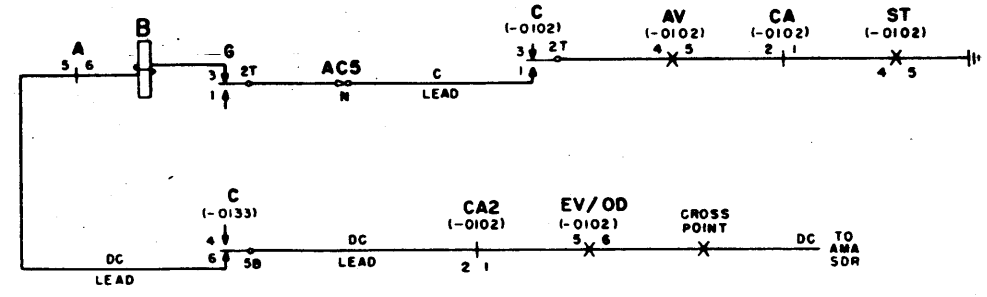
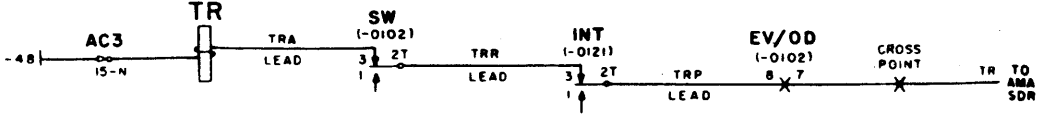


FIG. 105 - SEIZURE SECTION - 0135-5



ES-55891

CD-25221-01	2	ES-55891
BELL TELEPHONE LABORATORIES INCORPORATED		

ISSUE 10

ALLOW 8 1/8 INCHES
FOR BINDING
WHEN REDUCED

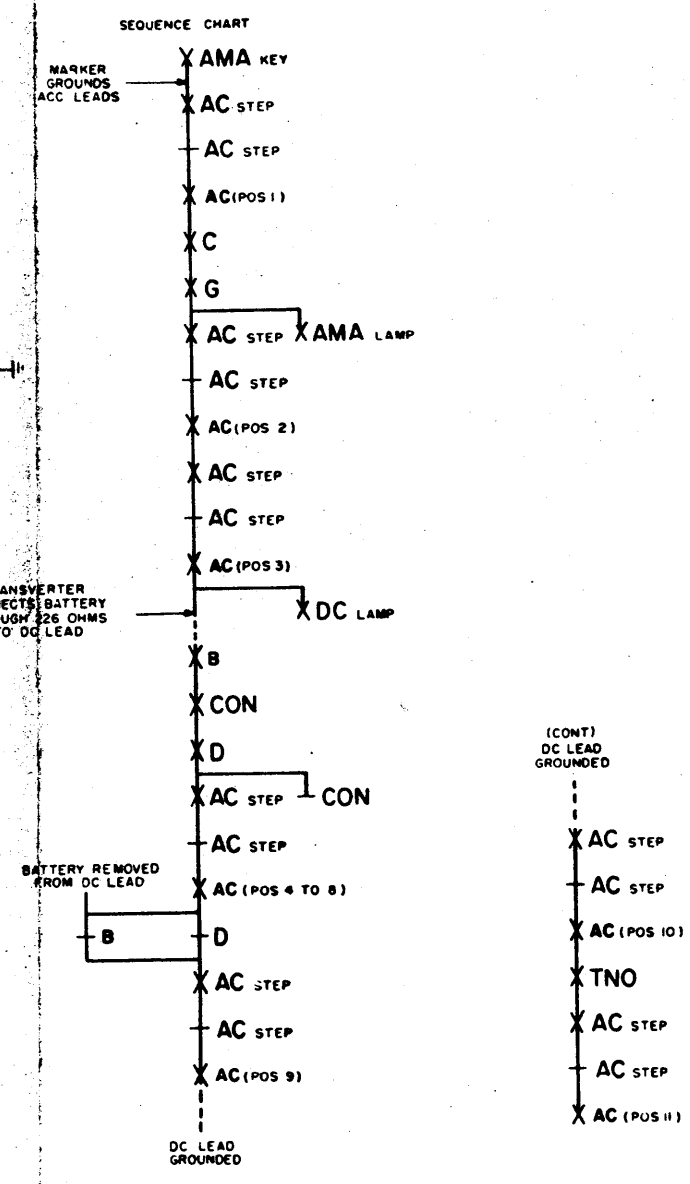
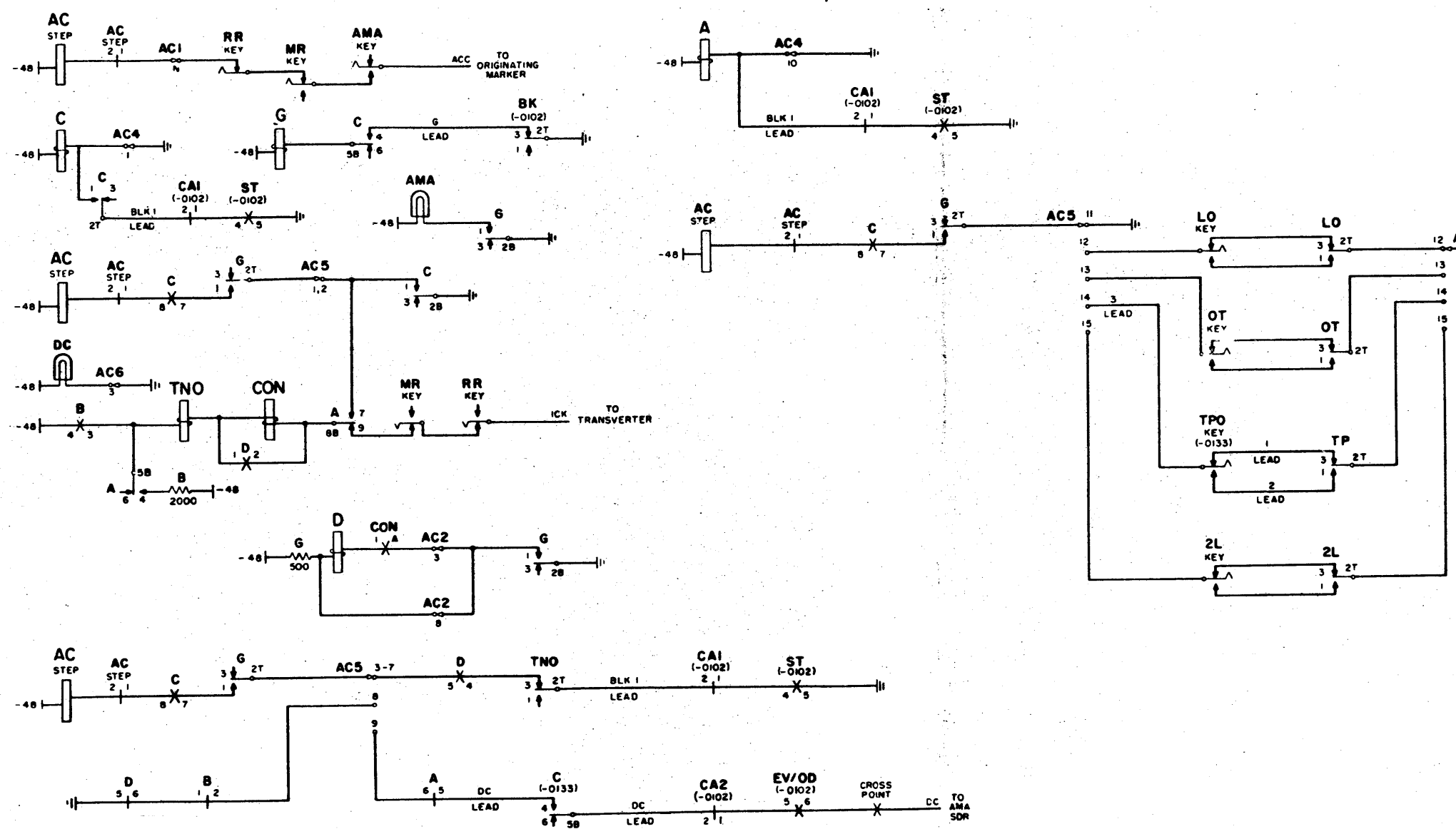


FIG. 106 - SEIZURE AND TEST SECTION - 0135-6.1

ES-558991

ALLOW $8\frac{3}{8}$ INCHES
FOR BINDING
WHEN REDUCED

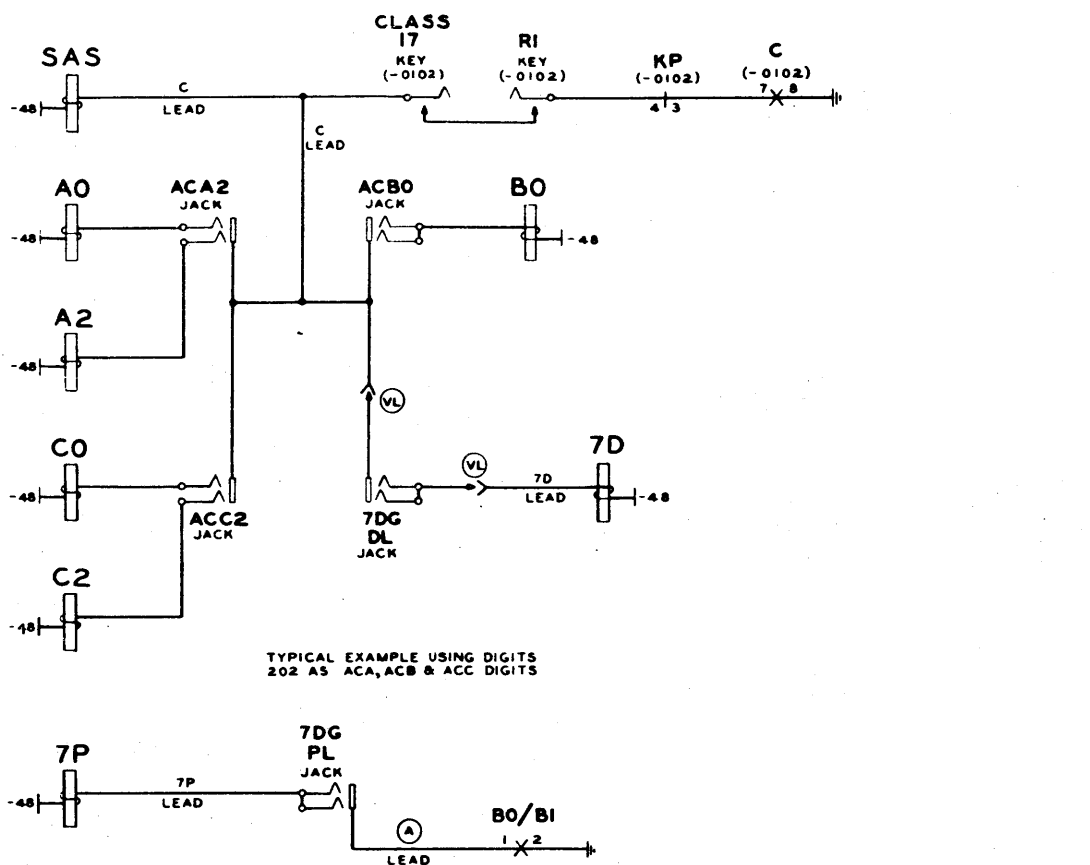


FIG. 107 - SEIZURE SECTION -0137-5

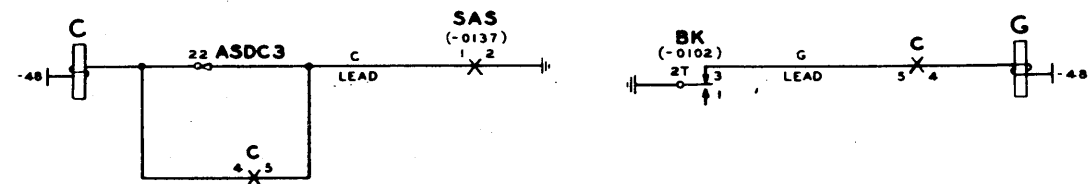
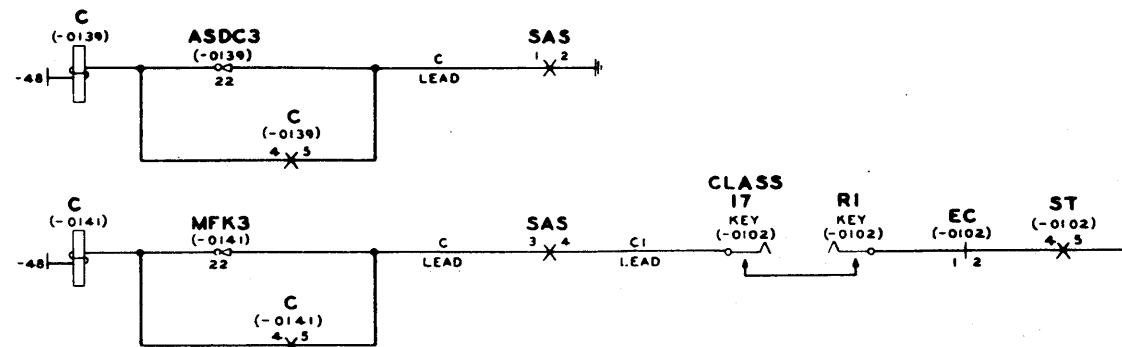


FIG. 109 - SEIZURE AND PREPARATION FOR DIALING SECTION -0139-5,6



10 DIGIT "SKIP 3" CALL

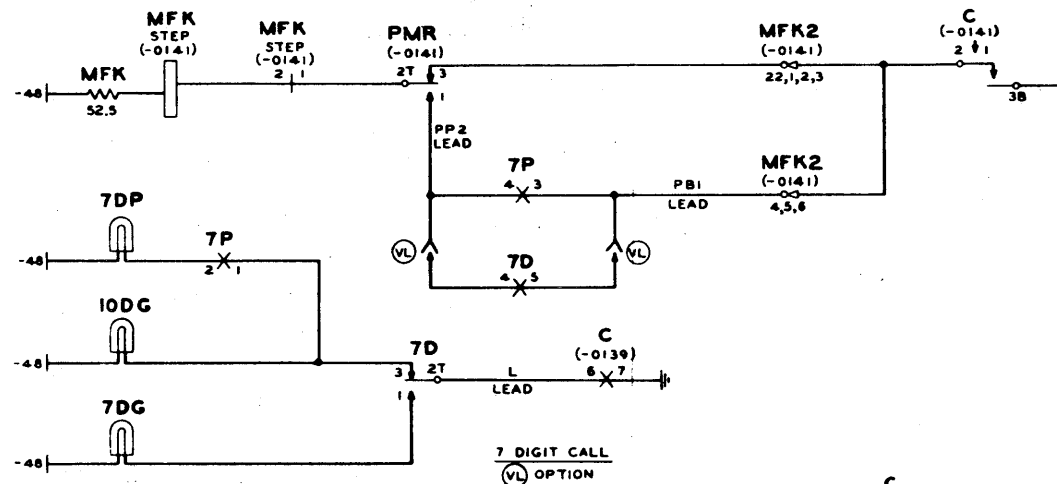
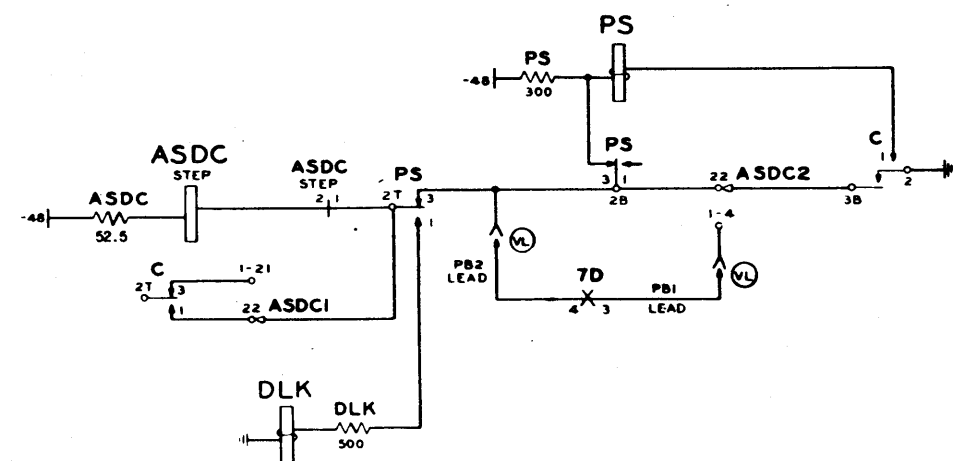


FIG. 108 - PREPARATION FOR DIALING AND PULSING SECTION -0137-6



ES-558991

ALLOW 8 3/8 INCHES
FOR BINDING
WHEN REDUCED

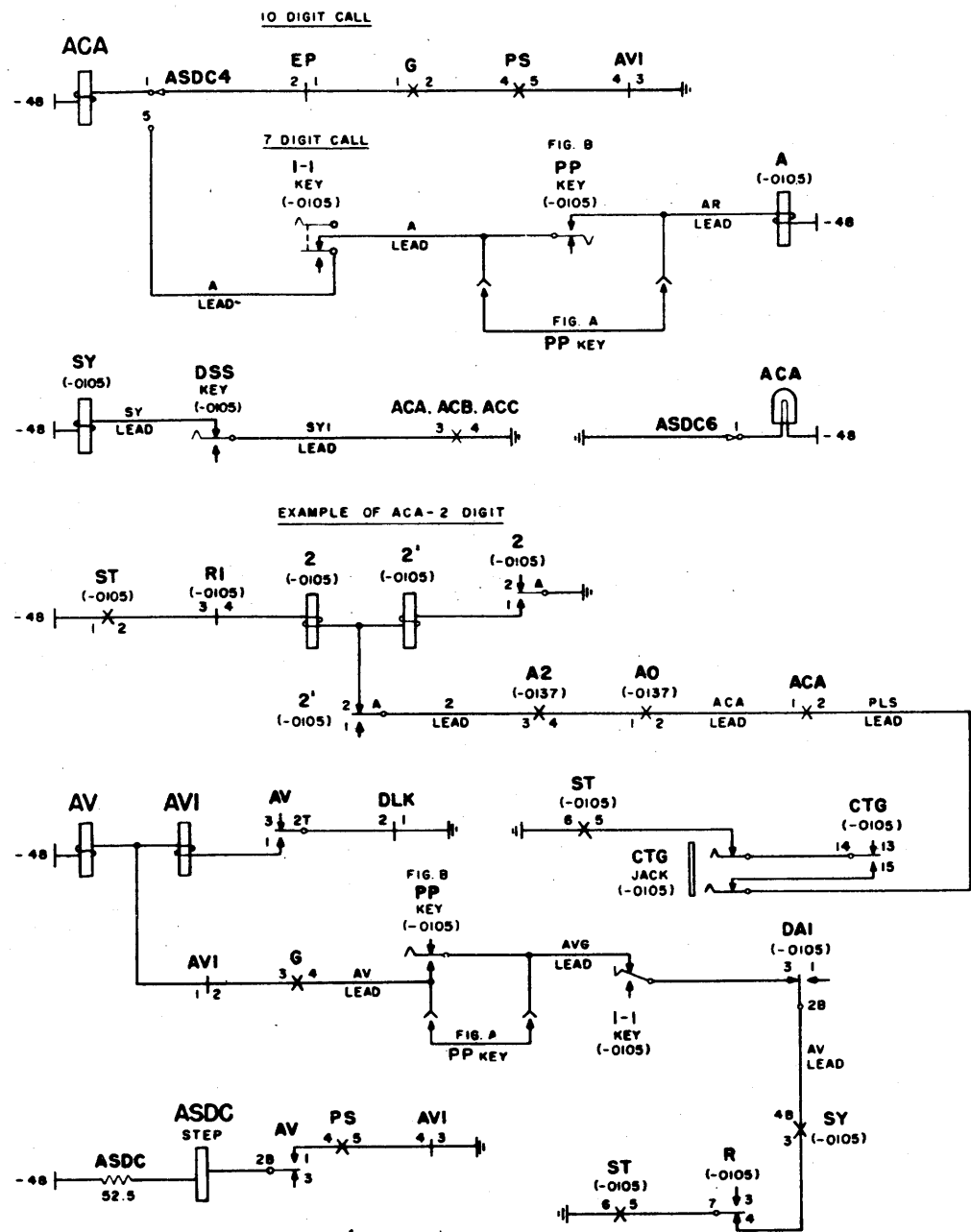


FIG. 110 - DIALING THE ACA OR A DIGIT
SECTION -0139-7

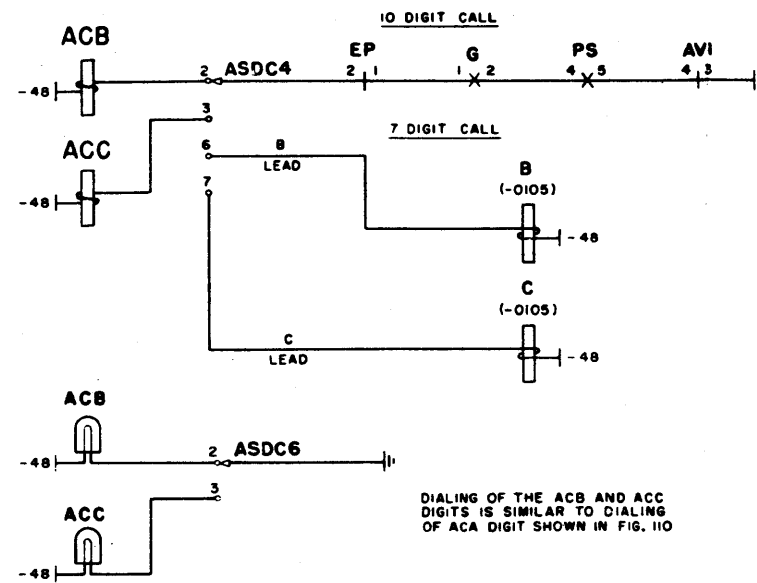


FIG. 111 - DIALING OF THE ACB AND ACC OR B AND C DIGITS
SECTION -0139-8

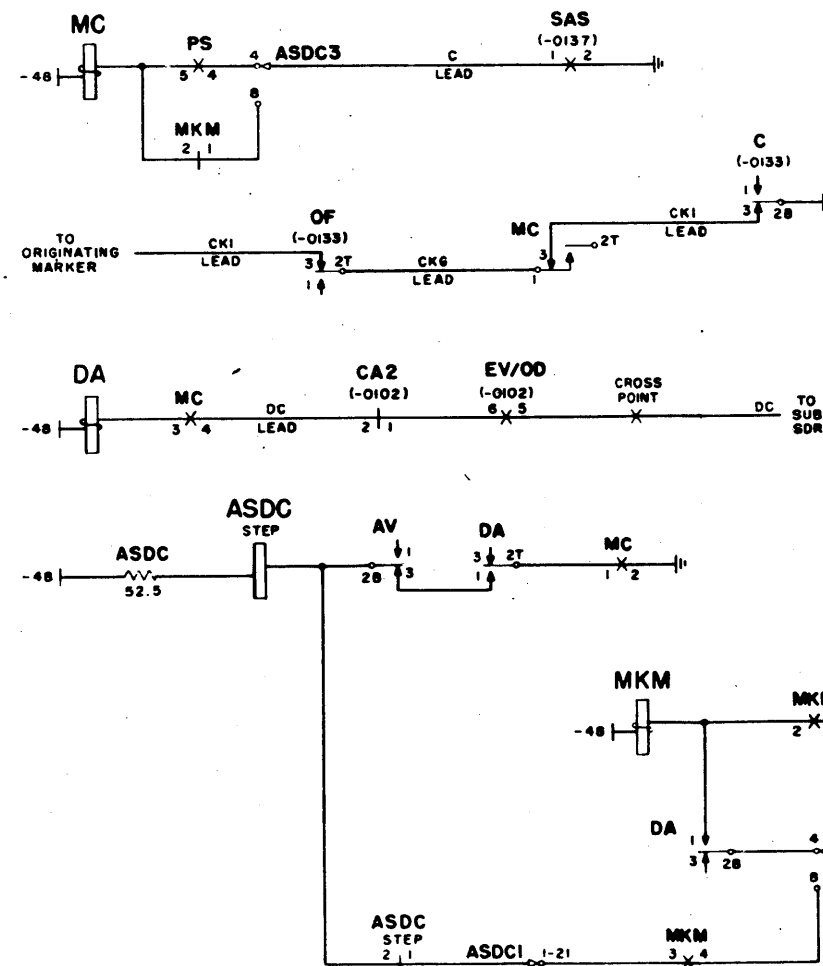


FIG. 112 - MARKER TRANSLATION
SECTION -0139-9

ES-558991

CD-25221-01

BELL TELEPHONE LABORATORIES
INCORPORATED

ES-558991
SHEET 37

ISSUE
10

ALLOW 8 3/8 INCHES
FOR BINDING
WHEN REDUCED

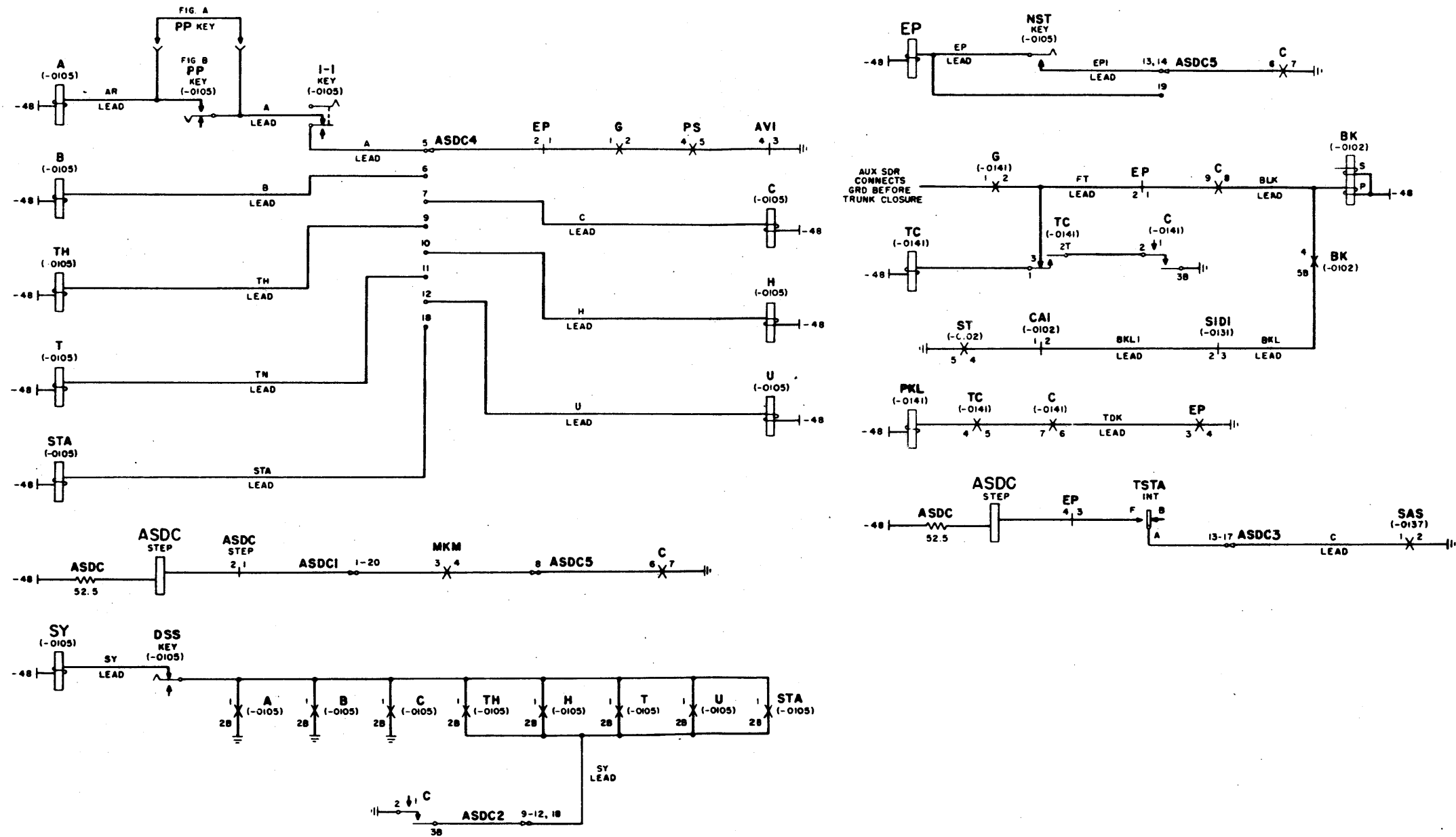


FIG. 113 - DIALING THE OTHER DIGITS
SECTION 0139-10

ES-55891

CD-25221-01		ISSUE 10
BELL TELEPHONE LABORATORIES INCORPORATED		ES-55891 SHEET 38
6S		

ALLOW 8 3/8 INCHES
FOR BINDING
WHEN REDUCED

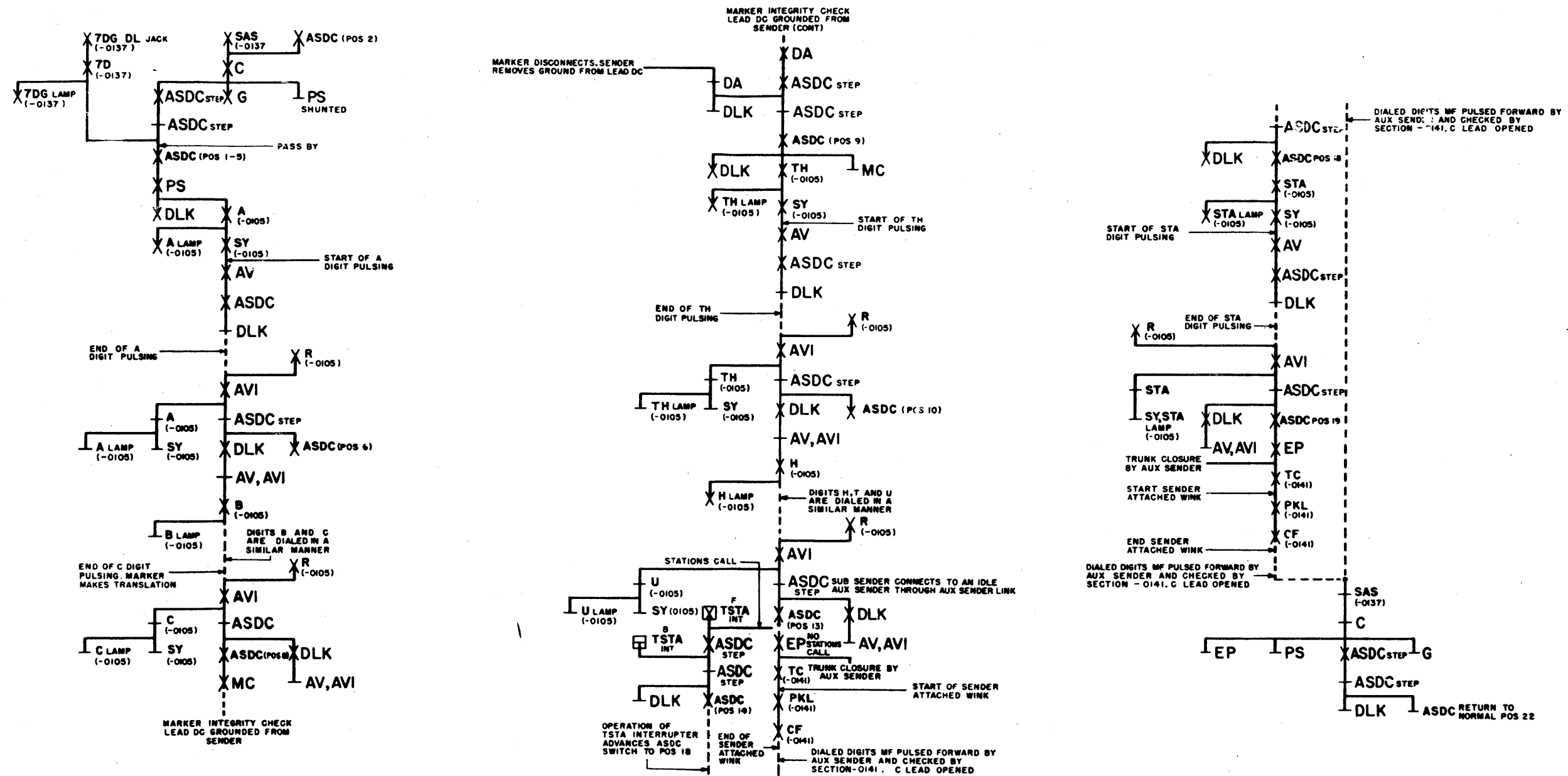
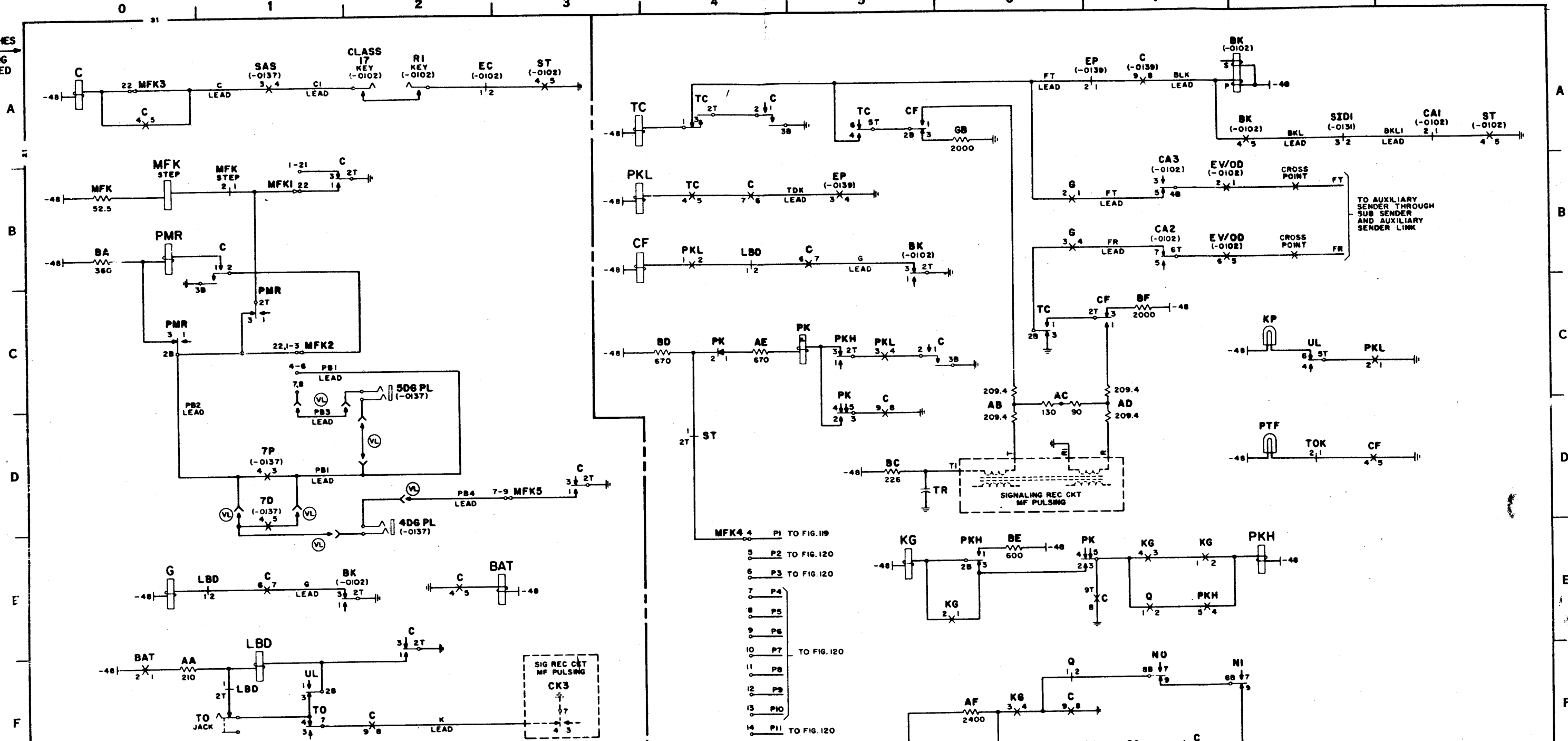


FIG. 115 - SEQUENCE CHART - 7 DIGIT CALL
SECTION - 0139

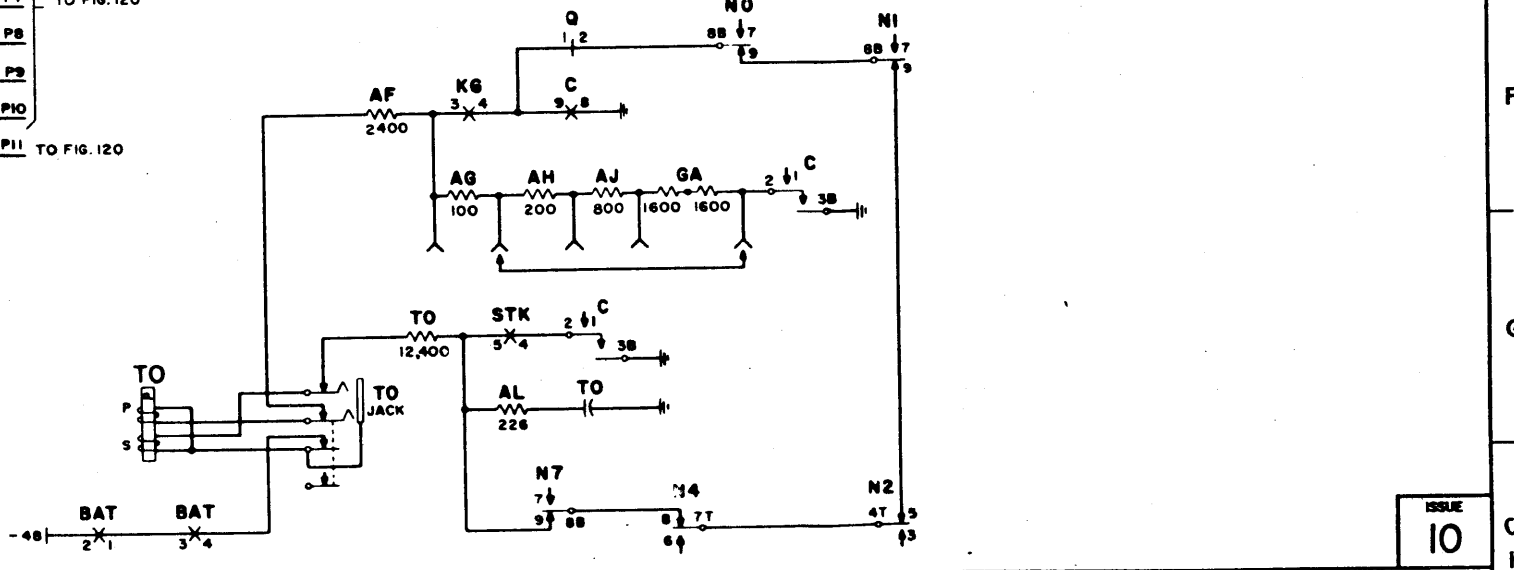
ES-558991

CD-25221-01		ISSUE 10
BELL TELEPHONE LABORATORIES INCORPORATED		65
		ES-558991 SHEET 40

W 8 3/8 INCHES
OR BINDING
N REDUCED



- 1 MFK4
- 2 P1 TO FIG. 119
- 3 P2 TO FIG. 120
- 4 P3 TO FIG. 120
- 5 P4
- 6 P5
- 7 P6
- 8 P7 TO FIG. 120
- 9 P8
- 10 P9
- 11 P10
- 12 P11 TO FIG. 120



ES-55891

CD-25221-01		2	ES-55891
BELL TELEPHONE LABORATORIES INCORPORATED			

ISSUE
10

8 3/4 INCHES
BINDING
IN REDUCED

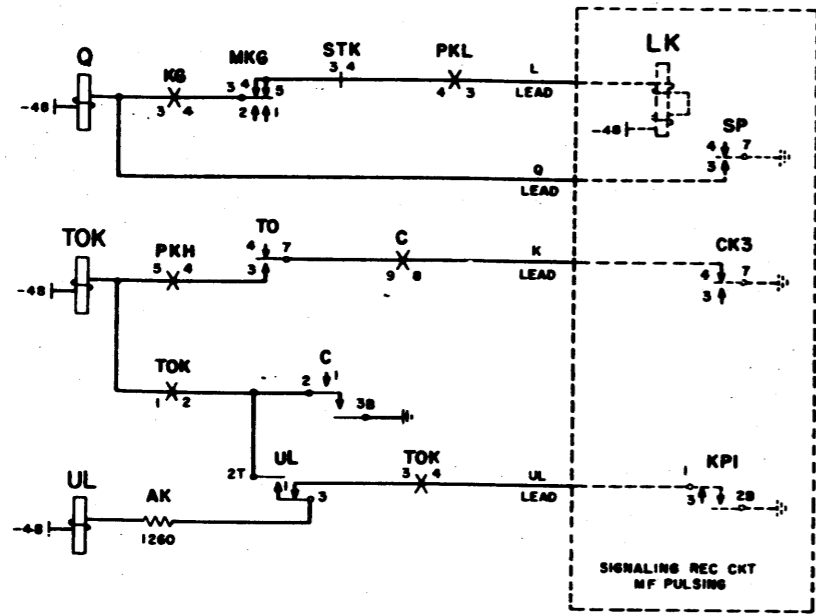


FIG. 118 - CHECKING THE KP SIGNAL SECTION - 0141-8

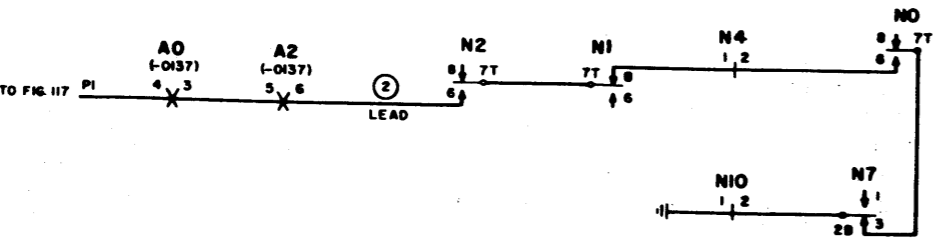
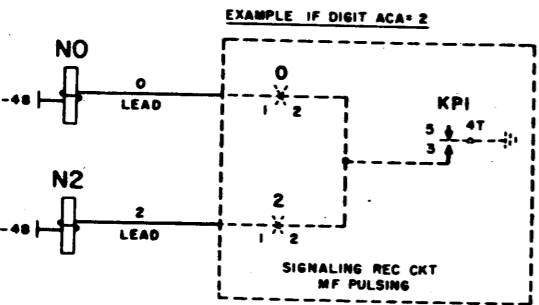
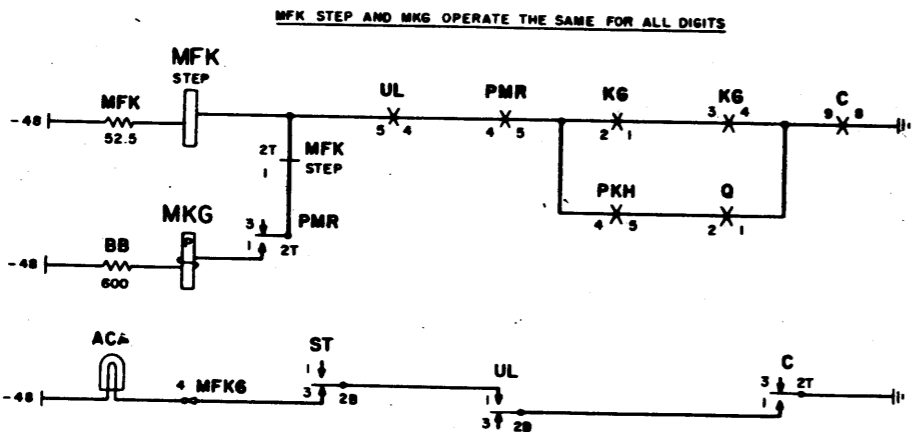


FIG. 119 - CHECKING THE FIRST NUMERICAL DIGIT SECTION - 0141-9

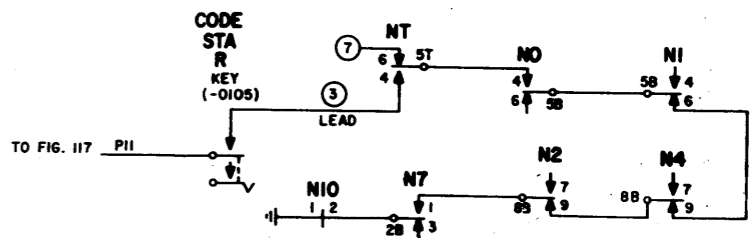
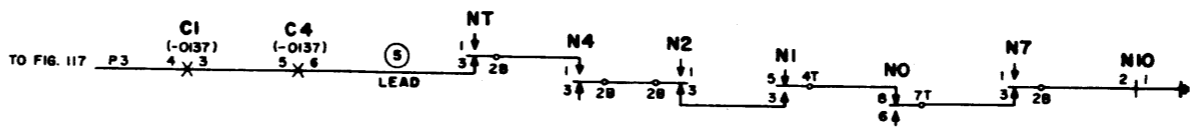
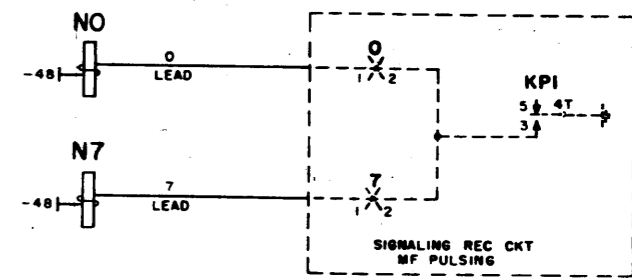
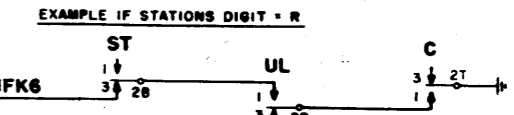
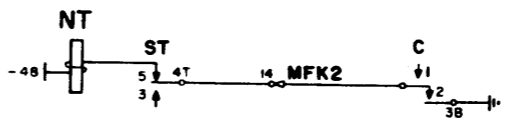
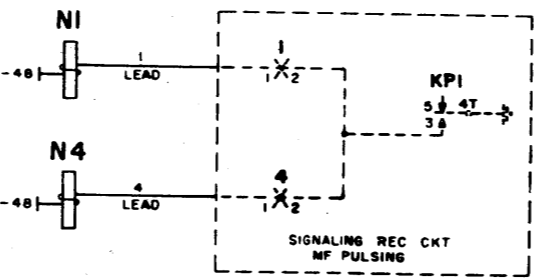
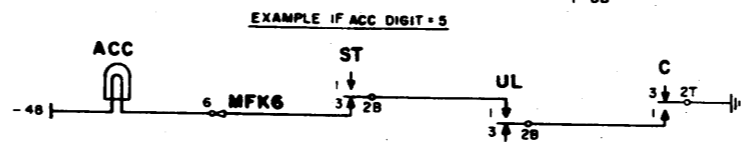
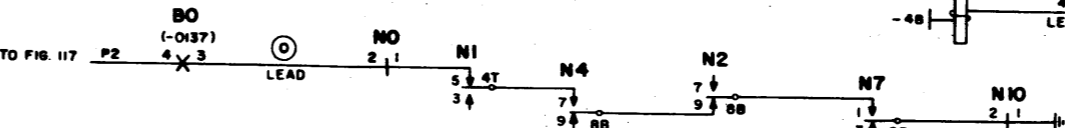
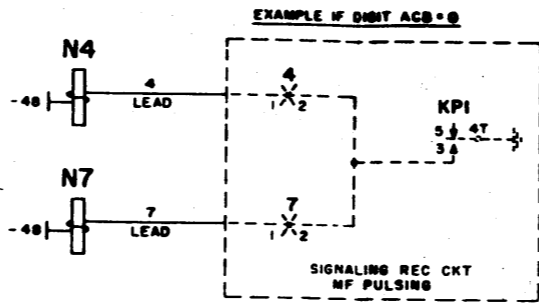
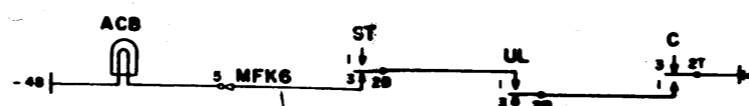


FIG. 120 - CHECKING THE OTHER NUMERICAL DIGITS SECTION - 0141-10

ES-558991

8 3/8 INCHES
8
BINDING
REDUCED

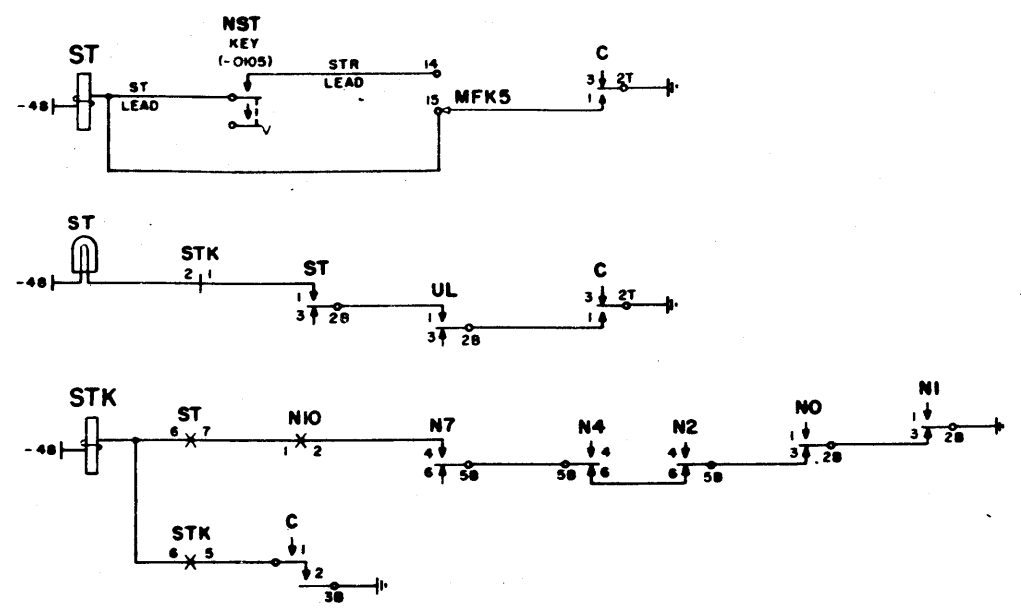


FIG. 121 - CHECKING THE START PULSE
SECTION - 0141-11,12

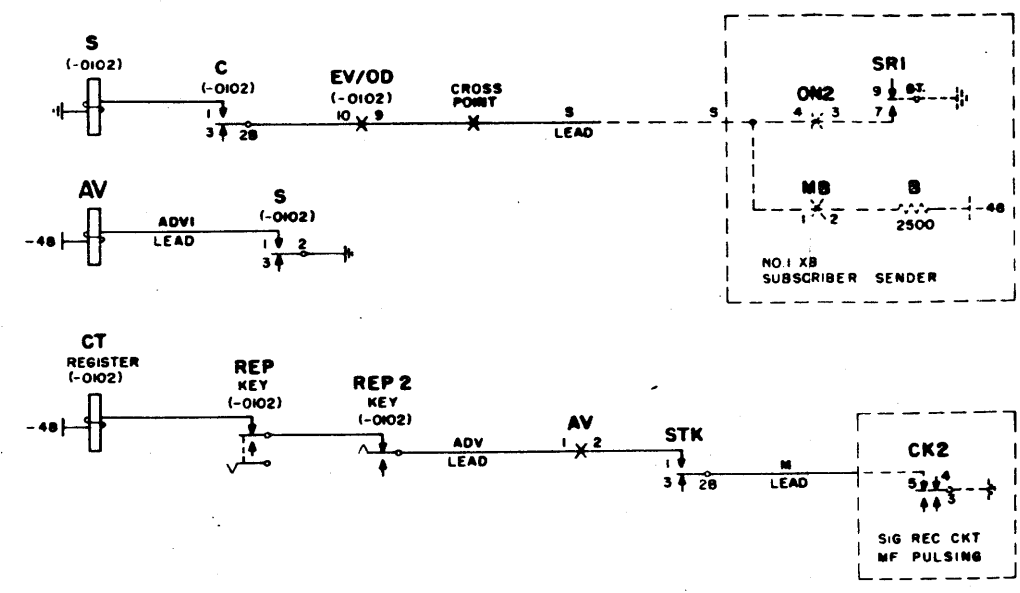
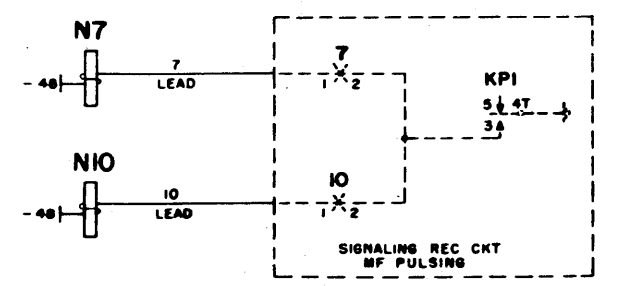


FIG. 122 - RELEASE
SECTION - 0141-13

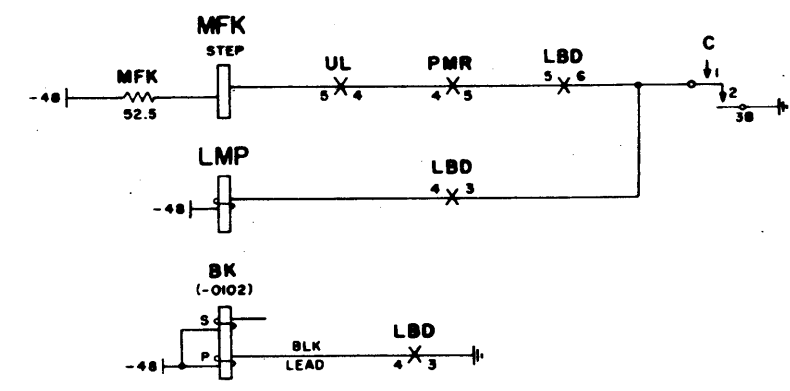
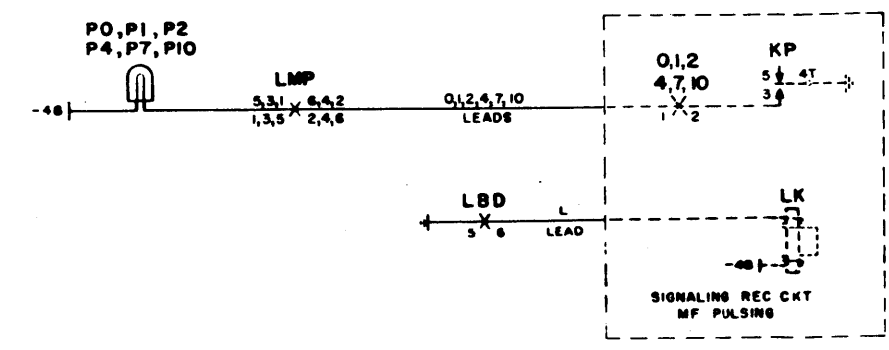


FIG. 123 - TIME ALARM AND BLOCKING
SECTION - 0141-15



ES-55891

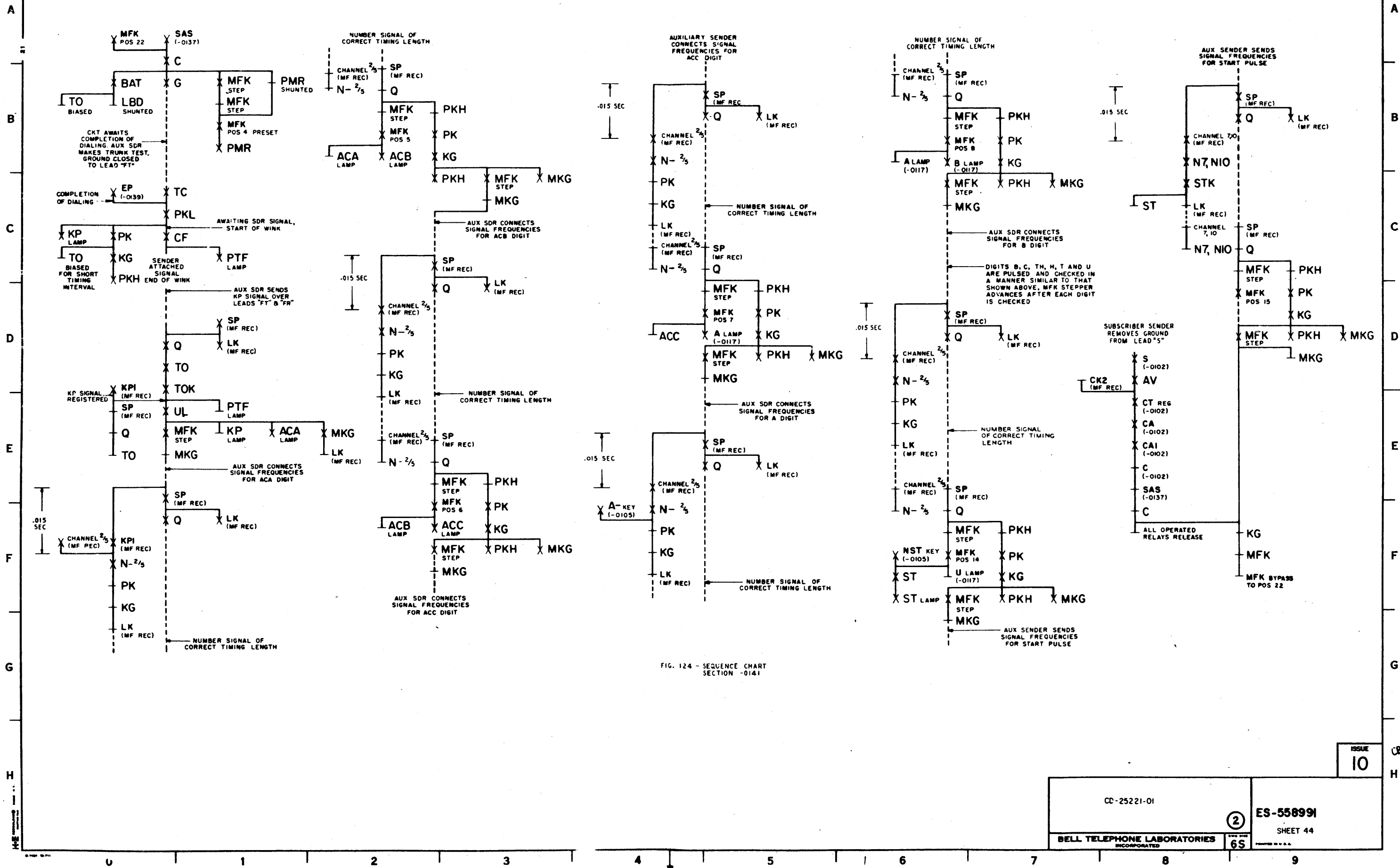


FIG. 124 - SEQUENCE CHART
SECTION -0141

ES-55891

8 1/2 INCHES
R BINDING
N REDUCED

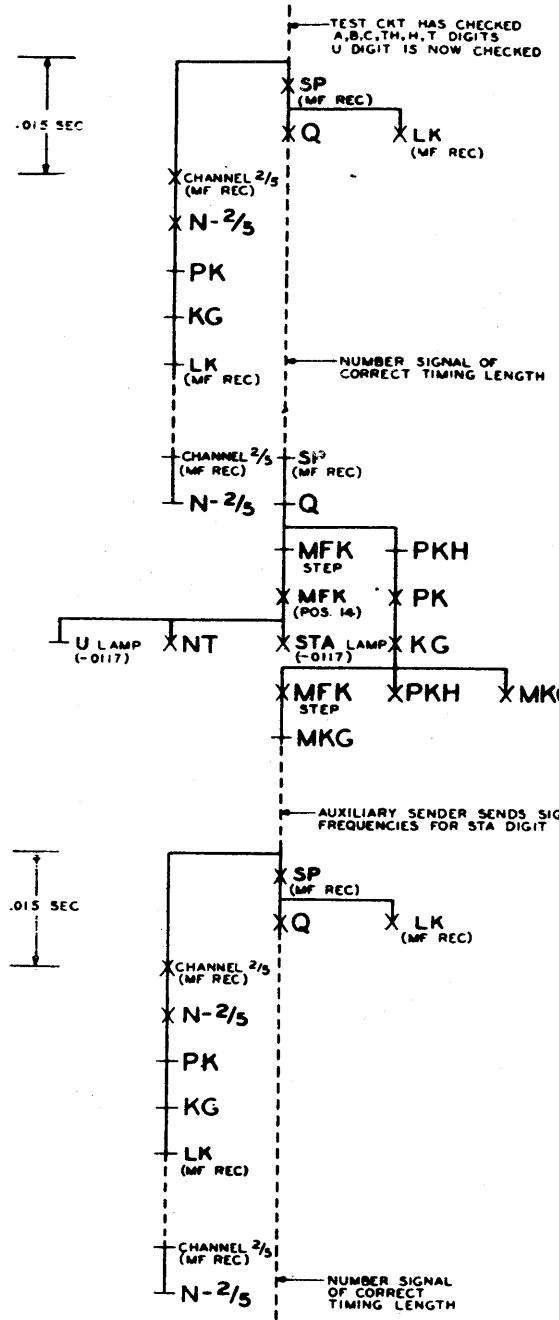


FIG. 126
7 DIGIT CALL - SEQUENCE CHART - STATIONS DIGIT
SECTION - 0141

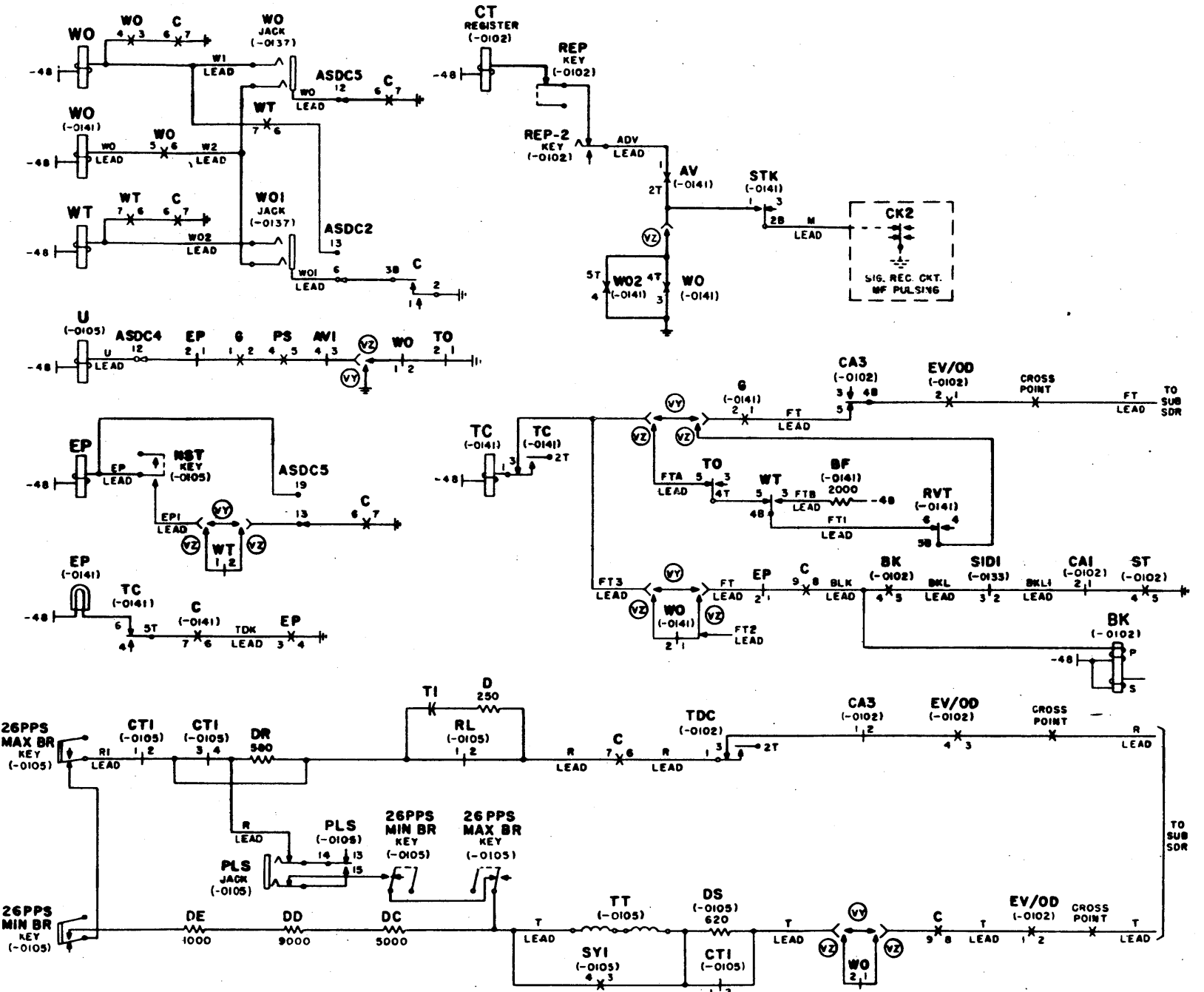
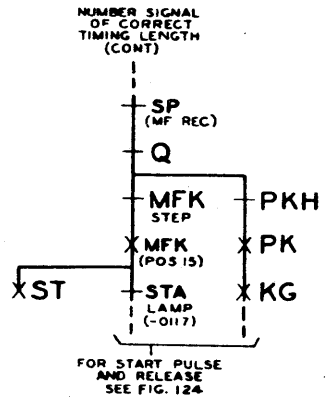


FIG. 127 - WIPEOUT AND DISCONNECT BEFORE AND AFTER DIALING IS COMPLETED
SECTION - 0139-14, 15

ES-558991

8 INCHES
BINDING
REDUCED

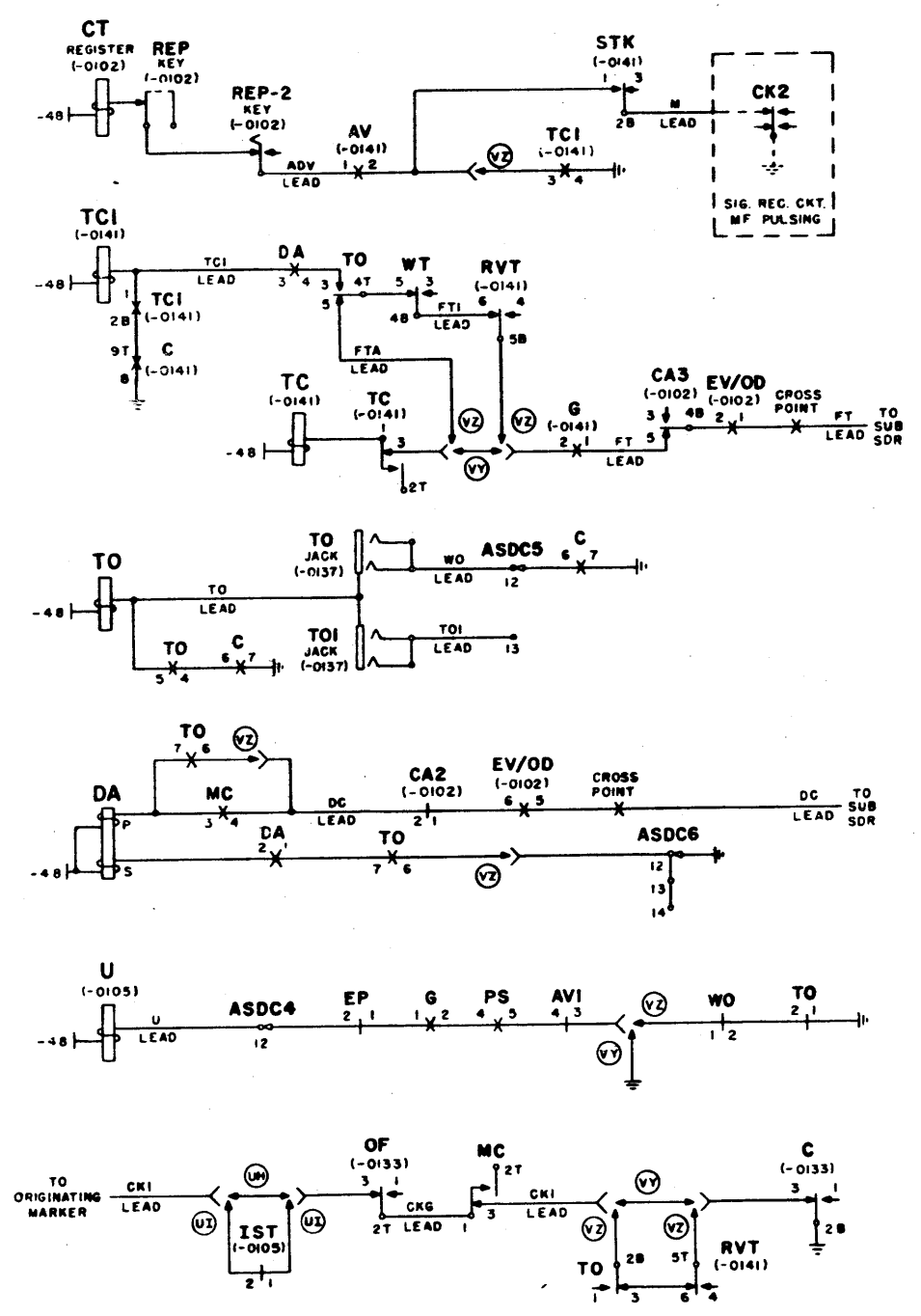


FIG. 128 - TIMEOUT AND DISCONNECT BEFORE AND AFTER DIALING IS COMPLETED SECTION - 0139-17,18

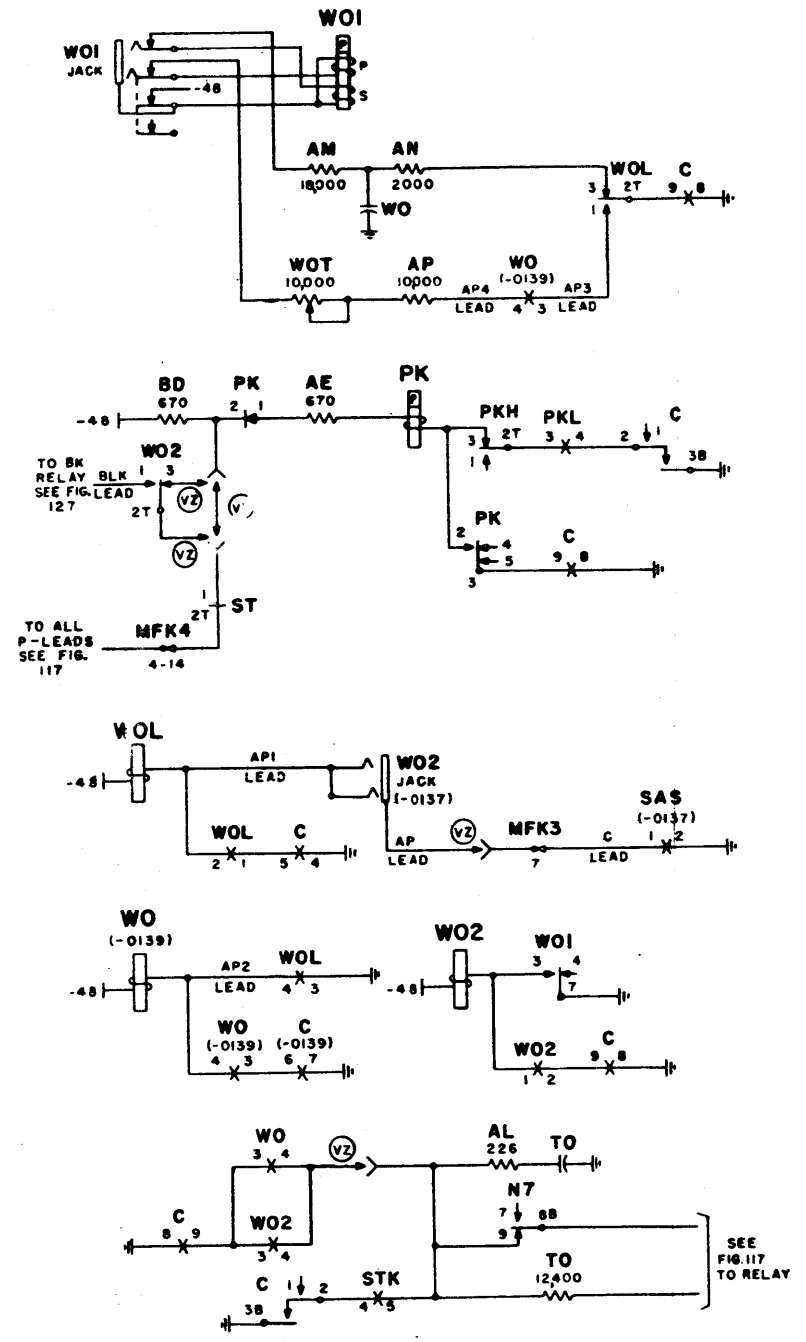


FIG. 129 - WIPEOUT AND DISCONNECT BEFORE MF PULSING IS COMPLETED SECTION - 0141-17

ES-558991

ISSUE
10

W 8 3/8 INCHES
OR BINDING
EN REDUCED

0 1 2 3 4 5 6 7 8 9

A

B

C

D

E

F

G

H

A

B

C

D

E

F

G

H

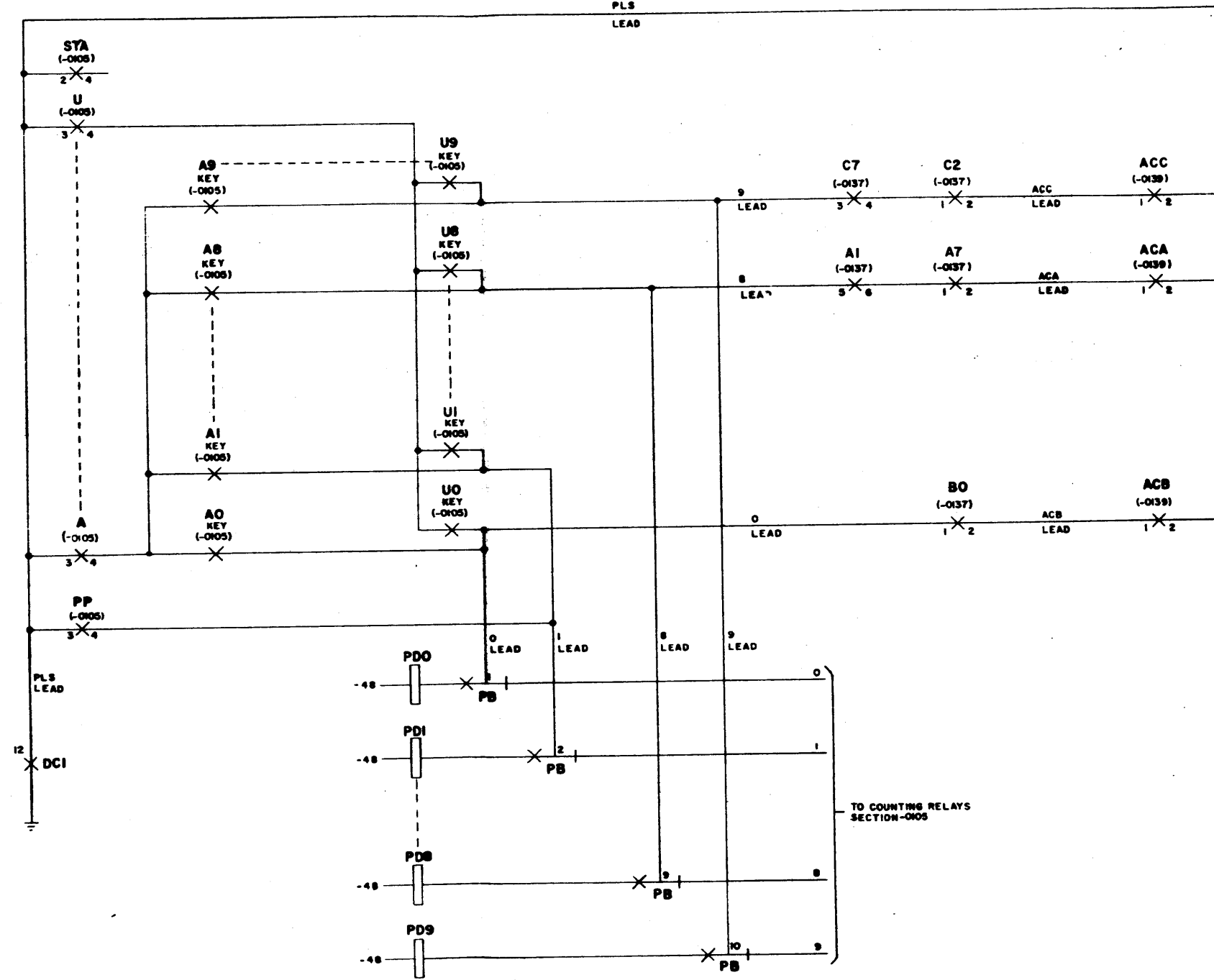
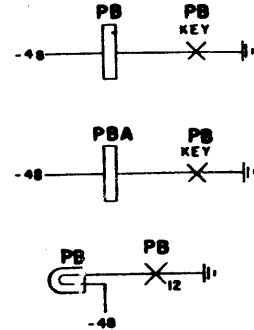


FIG. 130 - "TOUCH-TONE" DIGIT CONTROL CKY
SECTION - 0143-6, 10

ES-558991

CD-25221-01		ISSUE 10
BELL TELEPHONE LABORATORIES INCORPORATED		2
		ES-558991 SHEET 48

LOW 8 3/8 INCHES
FOR BINDING
WHEN REDUCED

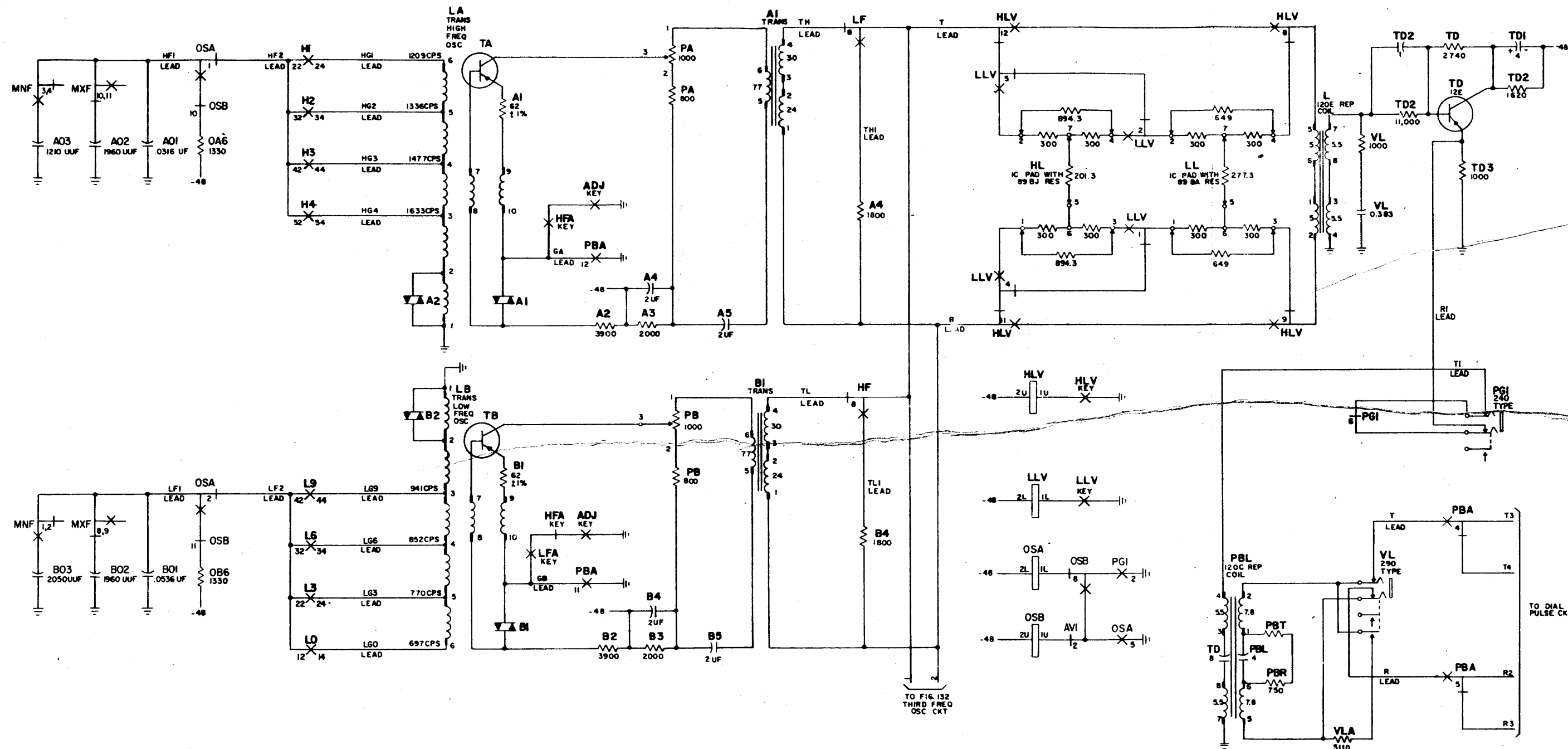


FIG. 131-"TOUCH-TONE" HIGH AND LOW FREQUENCY
OSCILLATOR CIRCUITS
SECTION-0143-7

ES-558991

CD-25221-01		2 ES-558991 SHEET 49
BELL TELEPHONE LABORATORIES INCORPORATED		

ISSUE
10

W 8 1/2 INCHES
FOR BINDING
CAN REDUCED

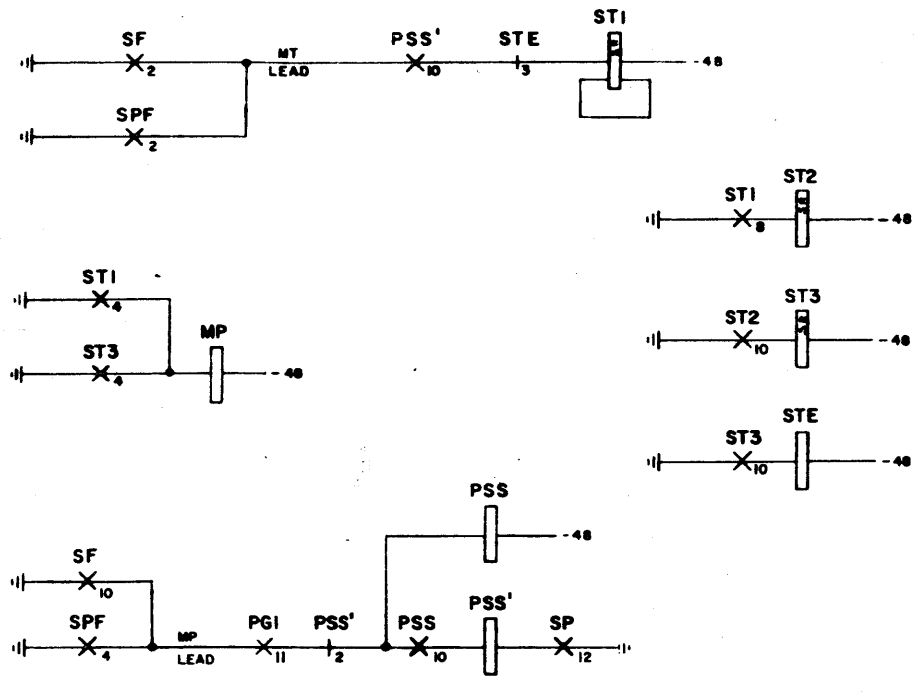


FIG. 135 - "TOUCH-TONE" - TIMING CIRCUIT FOR SINGLE, AND SPECIAL FREQUENCY TESTS SECTION-0143-11

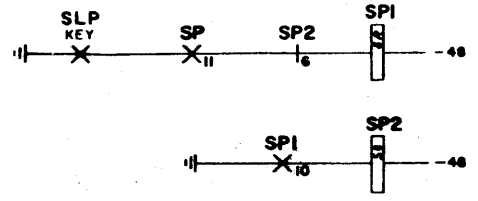


FIG. 136 - "TOUCH-TONE" - TIMING CIRCUIT FOR SLOW PULSES SECTION-0143-11

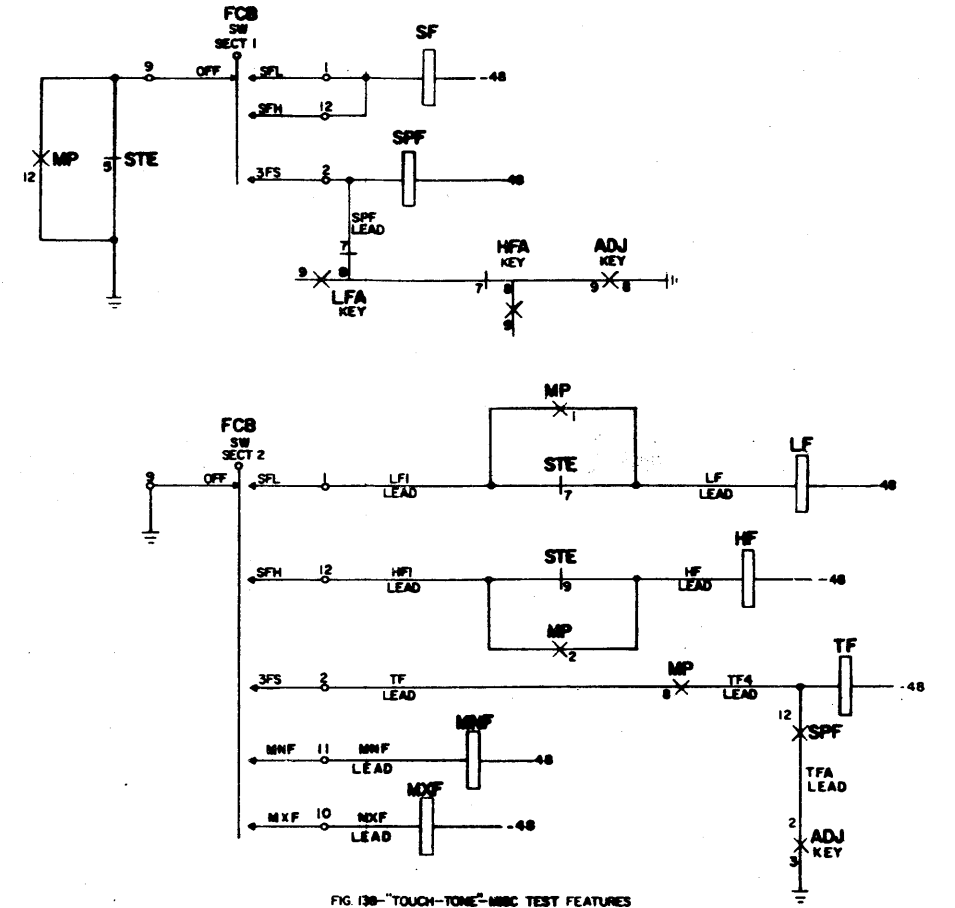


FIG. 138 - "TOUCH-TONE" - MFC TEST FEATURES SECTION-0143-11

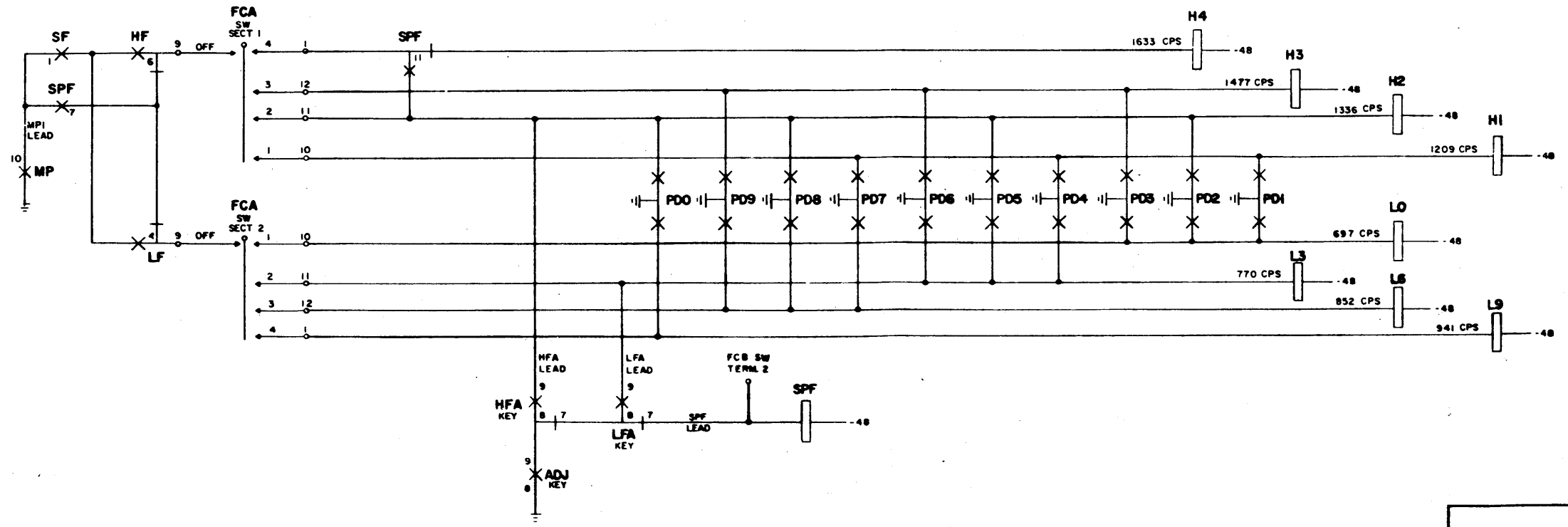


FIG. 137 - "TOUCH-TONE" - SINGLE AND SPECIAL FREQUENCY TESTS CONTROL CRT SECTION-0143-11

ES-558991

CD-25221-01		2	ES-558991 SHEET 51
BELL TELEPHONE LABORATORIES INCORPORATED			

ISSUE 10

LOW 8 1/8 INCHES
FOR BINDING
WHEN REDUCED

A
B
C
D
E
F
G
H

A
B
C
D
E
F
G
H

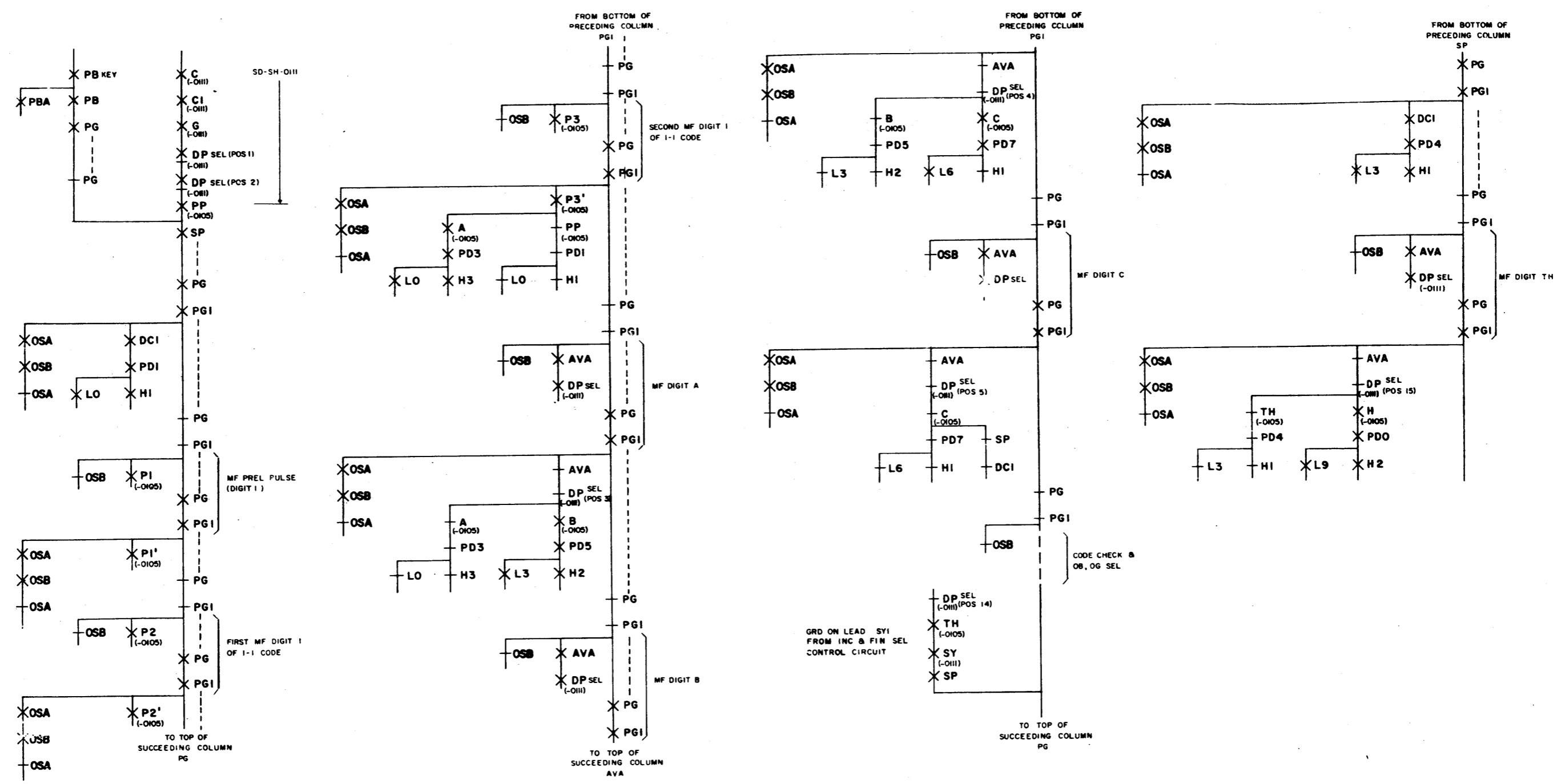


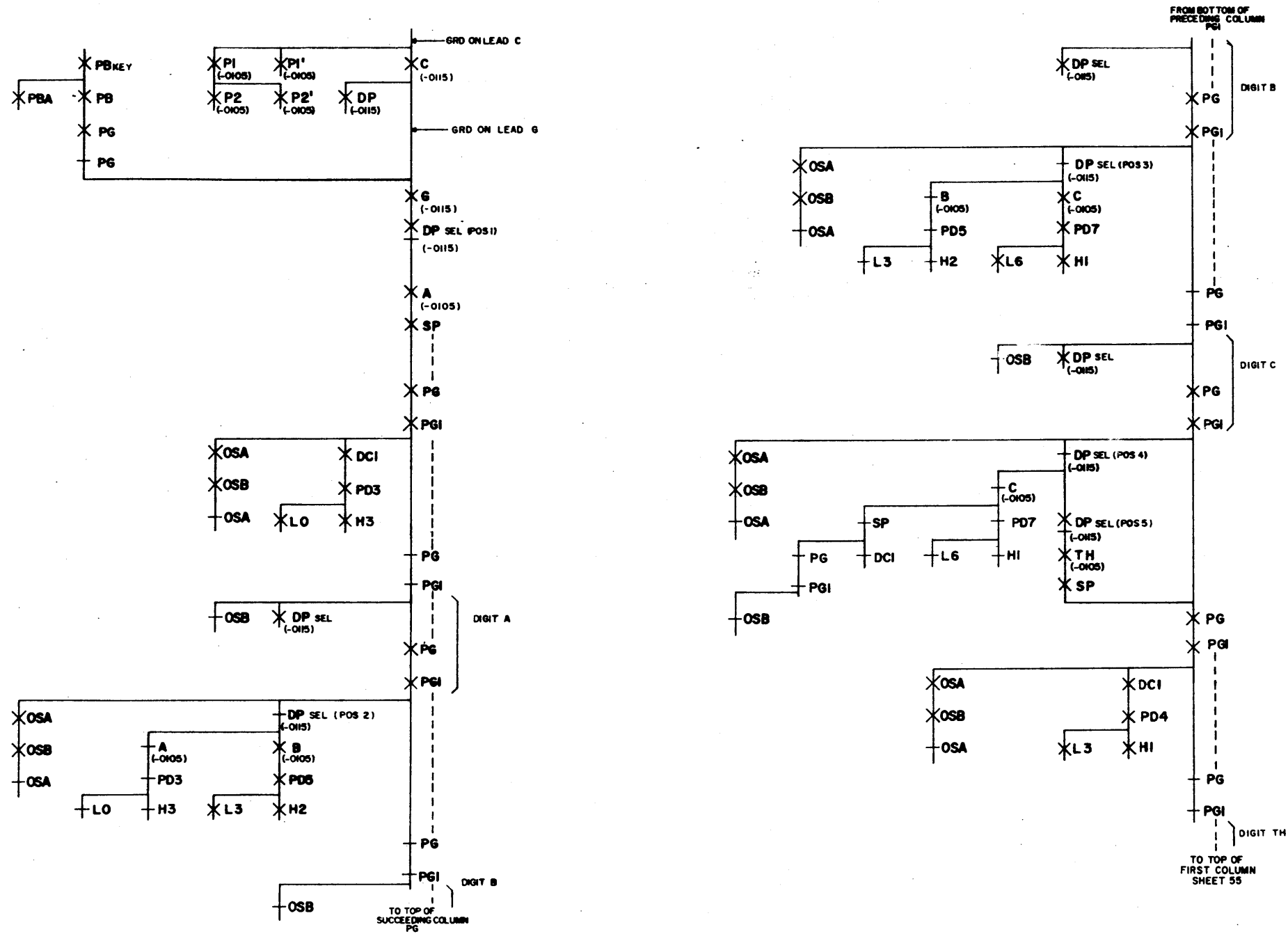
FIG. 139 - "TOUCH-TONE" SEQUENCE CHART
FULL SELECTOR CALL WITH PRELIMINARY
PULSE AND I-I CODE
SECTION - 0143-10

ES-558991

CD-25221-01		ISSUE 10
BELL TELEPHONE LABORATORIES INCORPORATED		2
		ES-558991 SHEET 52

U 1 2 3 4 5 6 7 8 9

1 8 3 INCHES
8
BINDING
W REDUCED



PART OF FIG. 141 - "TOUCH-TONE" - SEQUENCE CHART -
PCI TEST CALL
SECTION - 043 - 10

ES-558991

ISSUE
10

CD-25221-01	2	ES-558991
BELL TELEPHONE LABORATORIES INCORPORATED	65	SHEET 54

DW 8 3/8 INCHES
OR BINDING
IF REDUCED

0 1 2 3 4 5 6 7 8 9

A

B

C

D

E

F

G

H

A

B

C

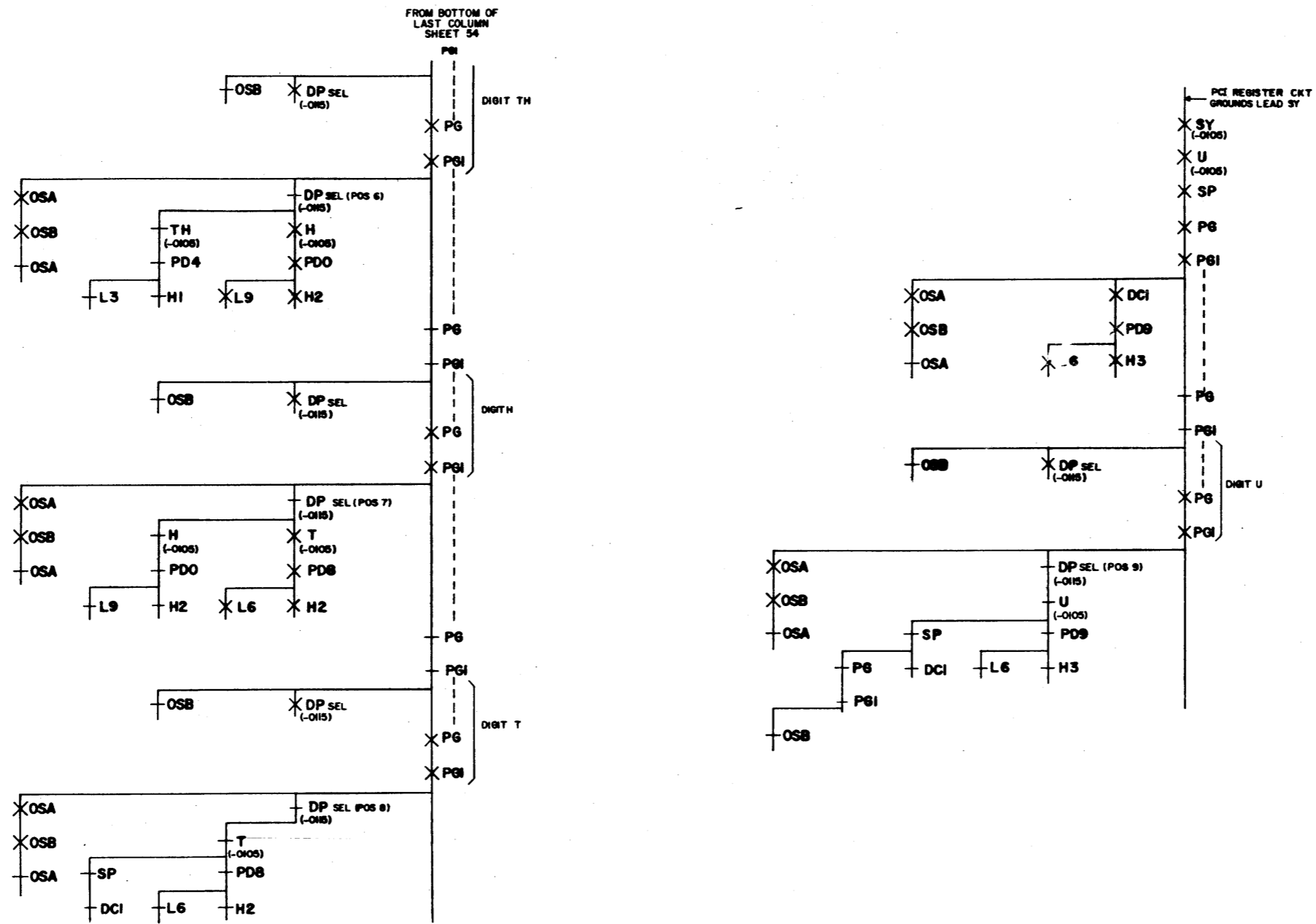
D

E

F

G

H



PART OF FIG. 141 - "TOUGH-TONE" - SEQUENCE CHART -
PCI TEST CALL
SECTION - 043-10

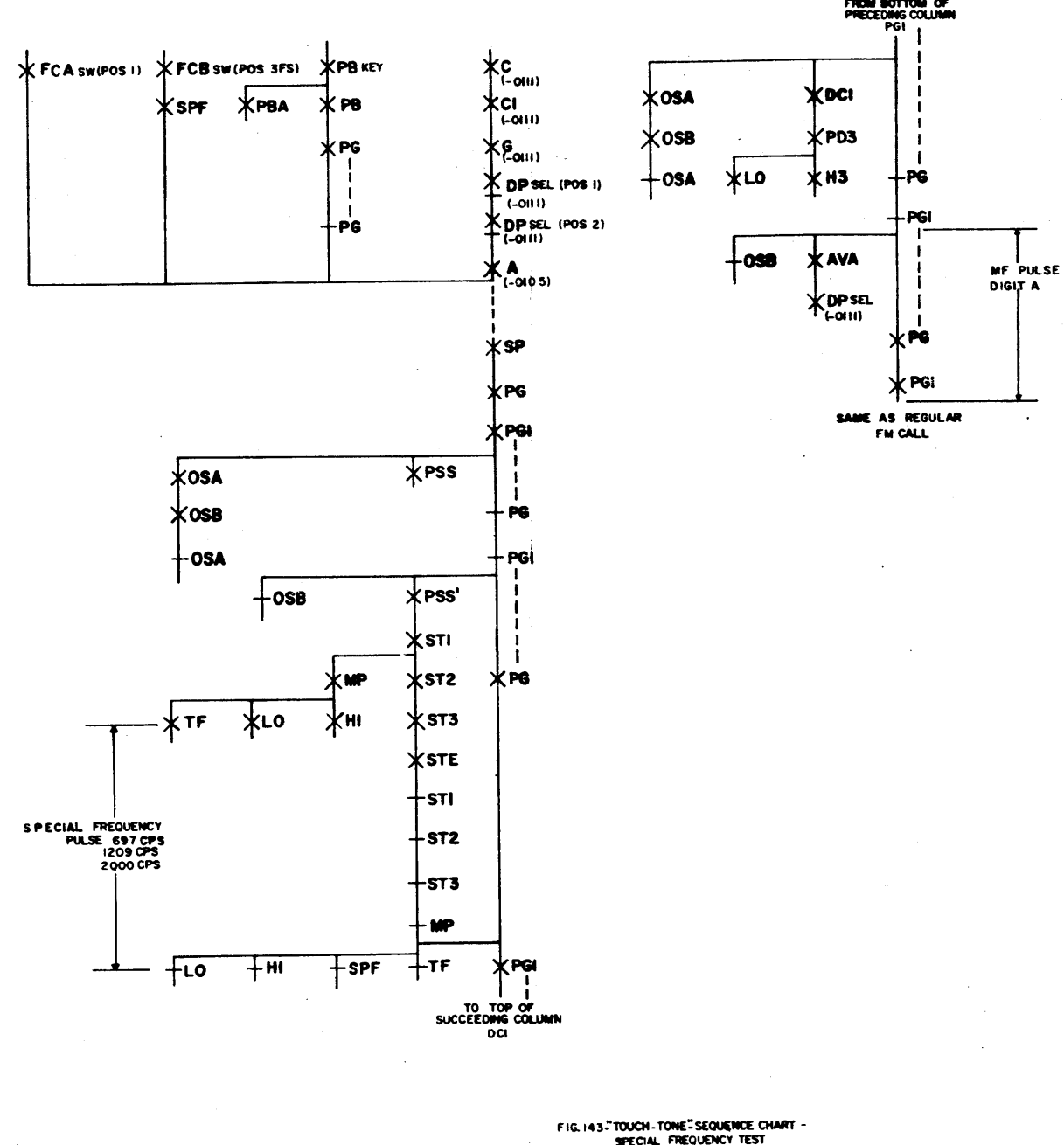
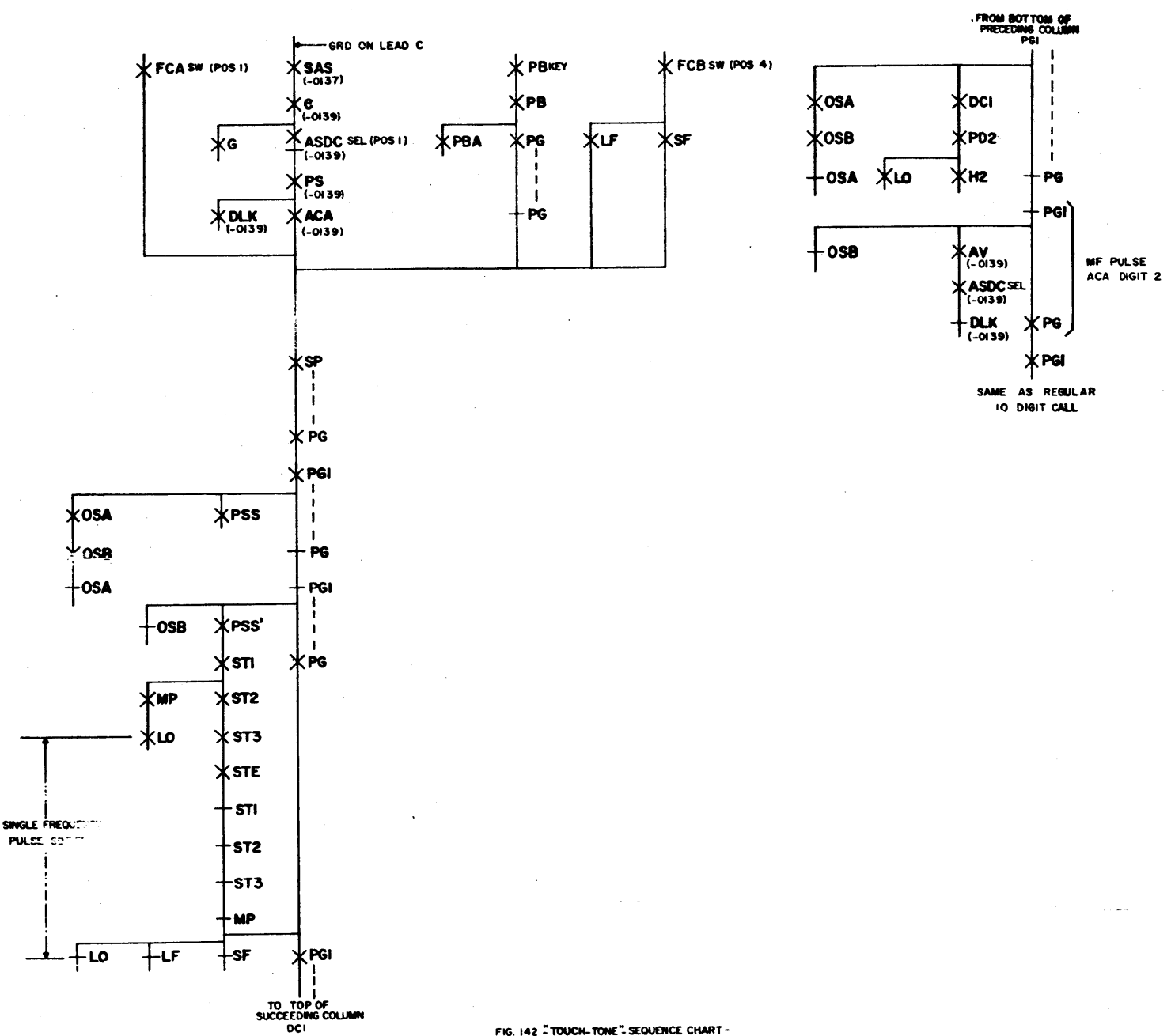
ES-558991

CD-25221-01		ISSUE 10
2		ES-558991
BELL TELEPHONE LABORATORIES INCORPORATED		SHEET 55
65		

1 1/8 INCHES
 R BINDING
 N REDUCED

A
B
C
D
E
F
G
H

A
B
C
D
E
F
G
H



ES-558991

ISSUE
10

CD-25221-01	②	ES-558991 SHEET 56
BELL TELEPHONE LABORATORIES INCORPORATED		

A
B
C
D
E
F
G
H

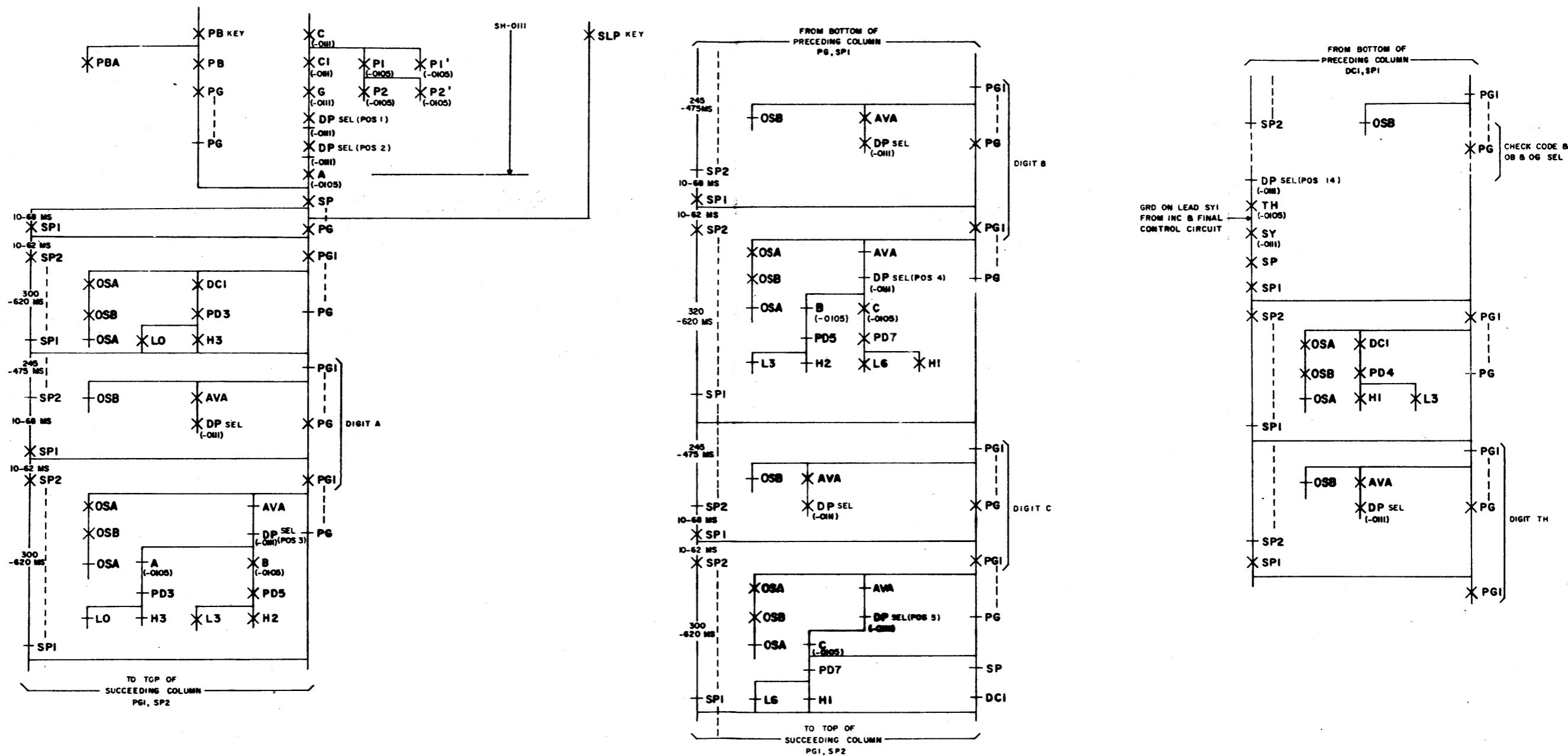


FIG. 144 - "TOUCH-TONE" SEQUENCE CHART - SLOW PULSE TEST SECTION - 0143-11

ES-55891

LOW 8 3/8 INCHES
FOR BINDING
WHEN REDUCED

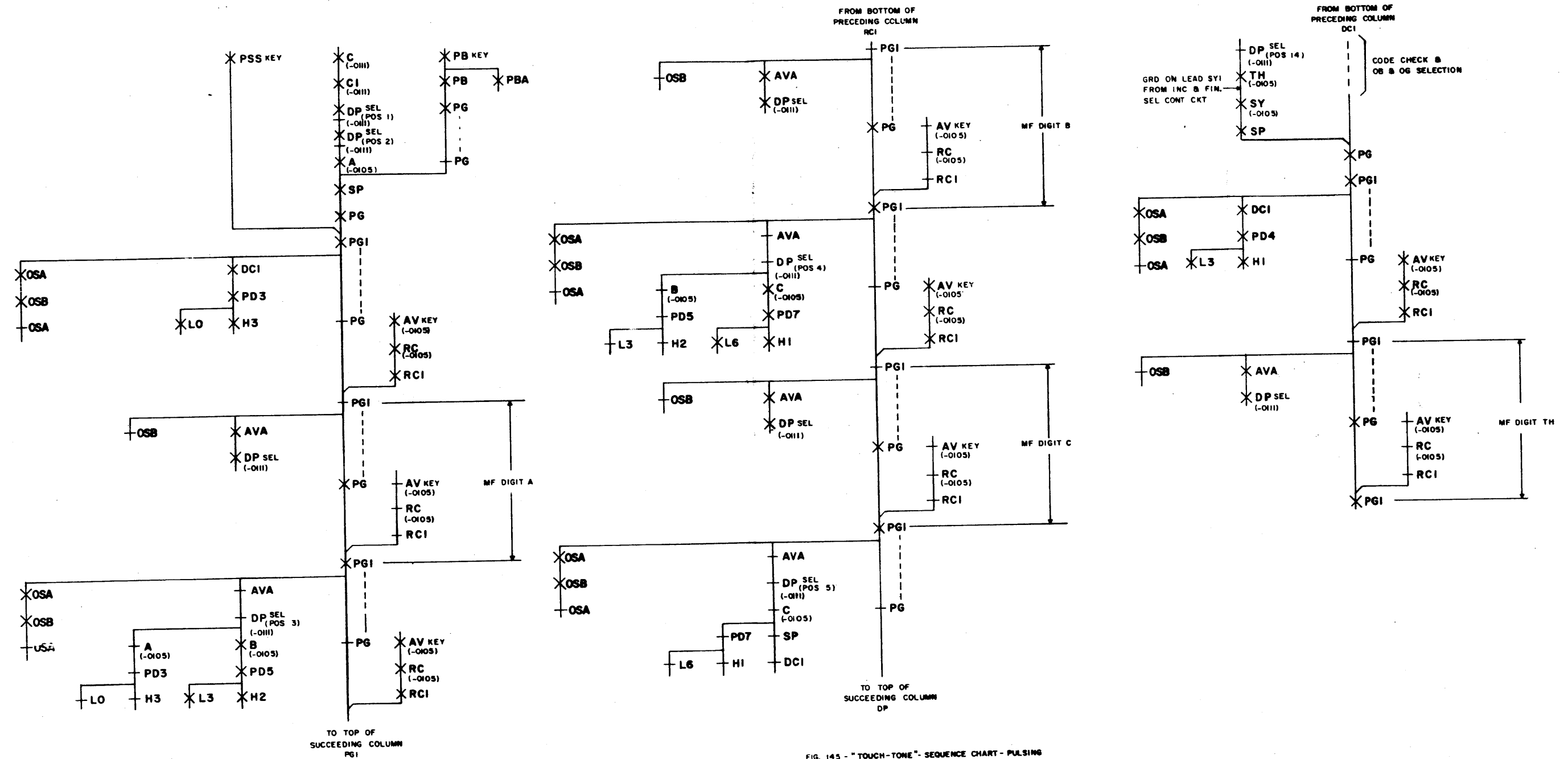


FIG. 145 - "TOUCH-TONE" SEQUENCE CHART - PULSING
STEP BY STEP TEST
SECTION-0143-12

ES-558991

W 8 1/2 INCHES
OR BINDING
IN REDUCED

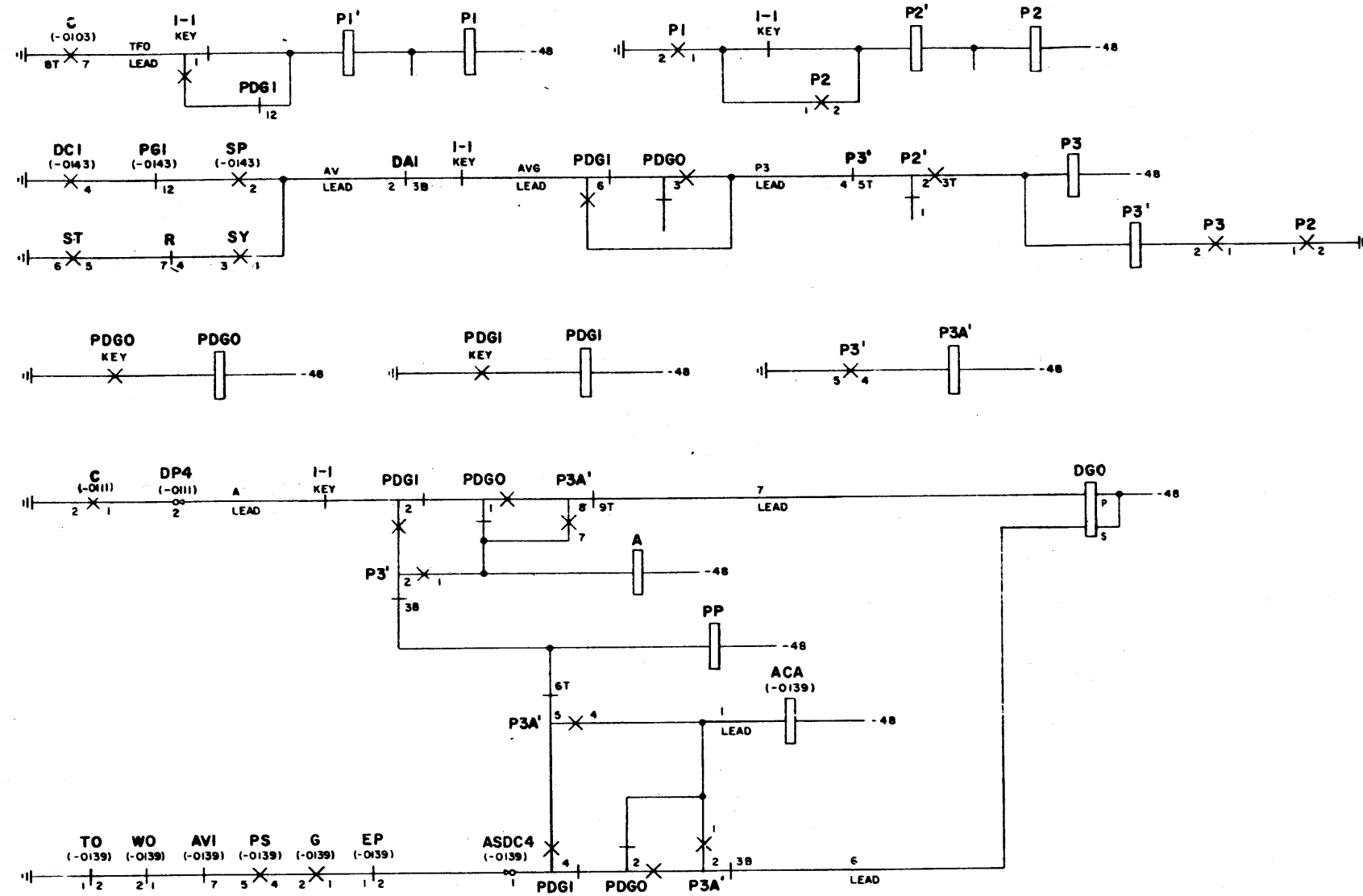


FIG. 146 - CIRCUIT FOR OUTPULSING PREFIX DIGITS 0 OR 1, 7 OR 10 DIGIT CALL SECTION - 0105 - 7.5, 7.6

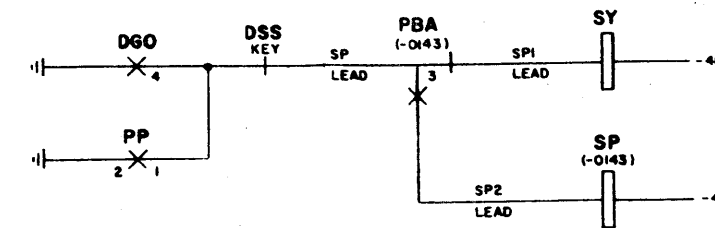


FIG. 147 - CIRCUIT TO START PULSE GENERATORS CIRCUITS WITH PREFIX DIGITS 0 OR 1 SECTION - 0105 - 7.5

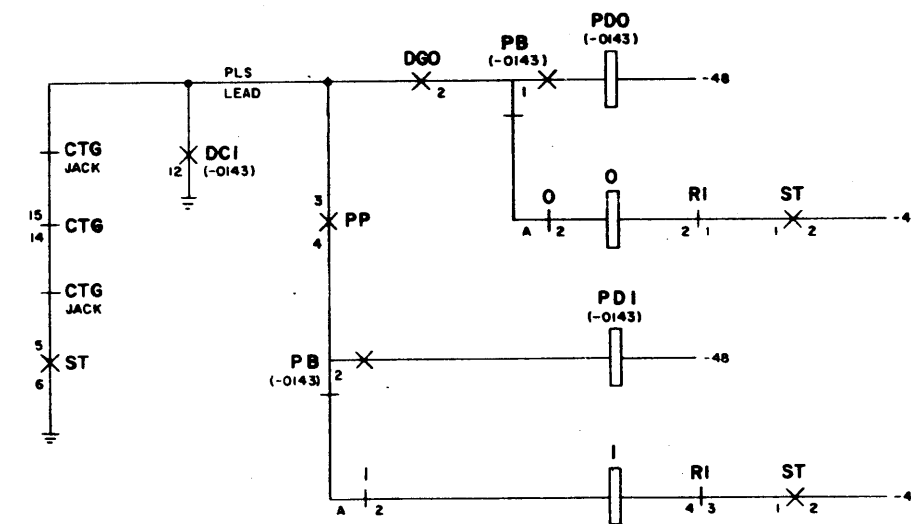


FIG. 148 - PREFIX DIGITS 0 AND 1 CONTROL CIRCUIT SECTION - 0105 - 7.5, 7.6

ES-558991

ISSUE
10

W 8 3/8 INCHES
OR BINDING
IN REDUCED

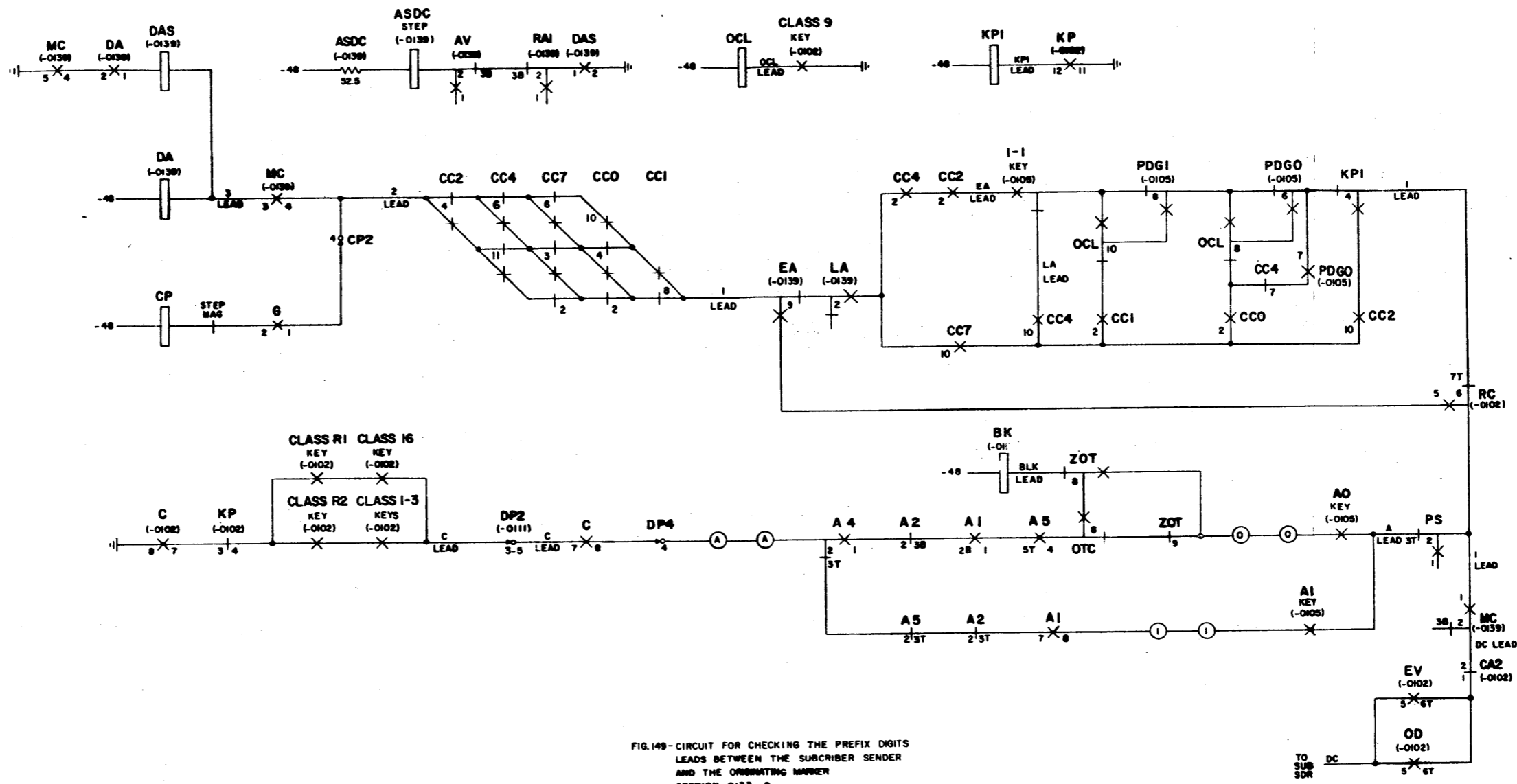


FIG. 149 - CIRCUIT FOR CHECKING THE PREFIX DIGITS LEADS BETWEEN THE SUBSCRIBER SENDER AND THE OPERATING MARKER SECTION - 0133 - 8

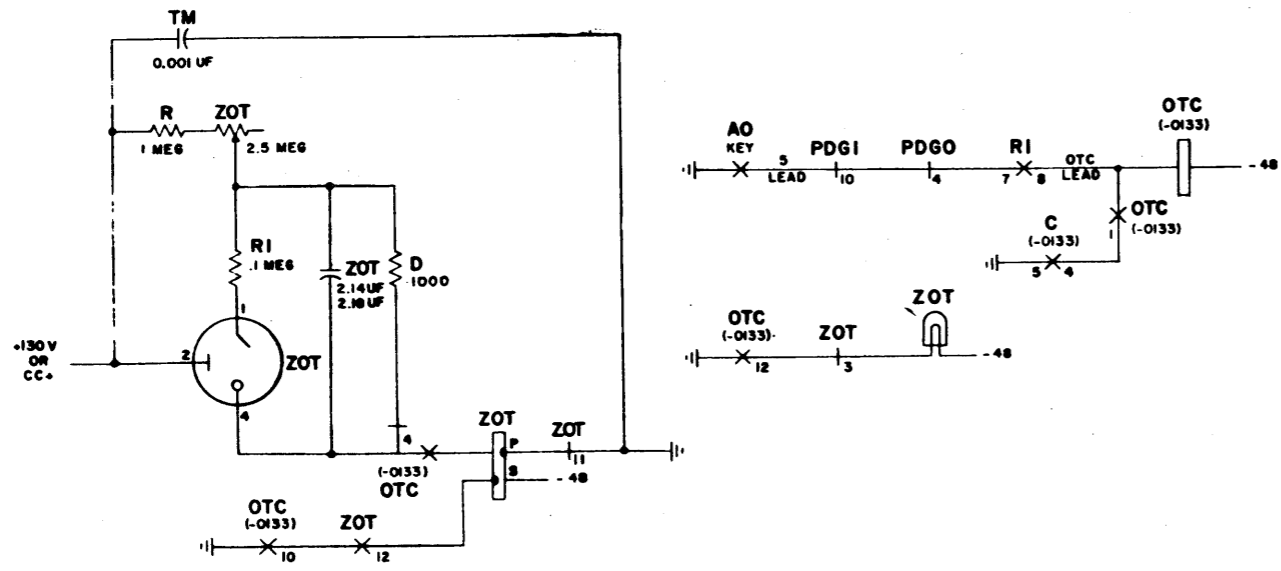


FIG. 150 - ZERO OPERATOR TIMING CIRCUIT SECTION - 0133 - 9

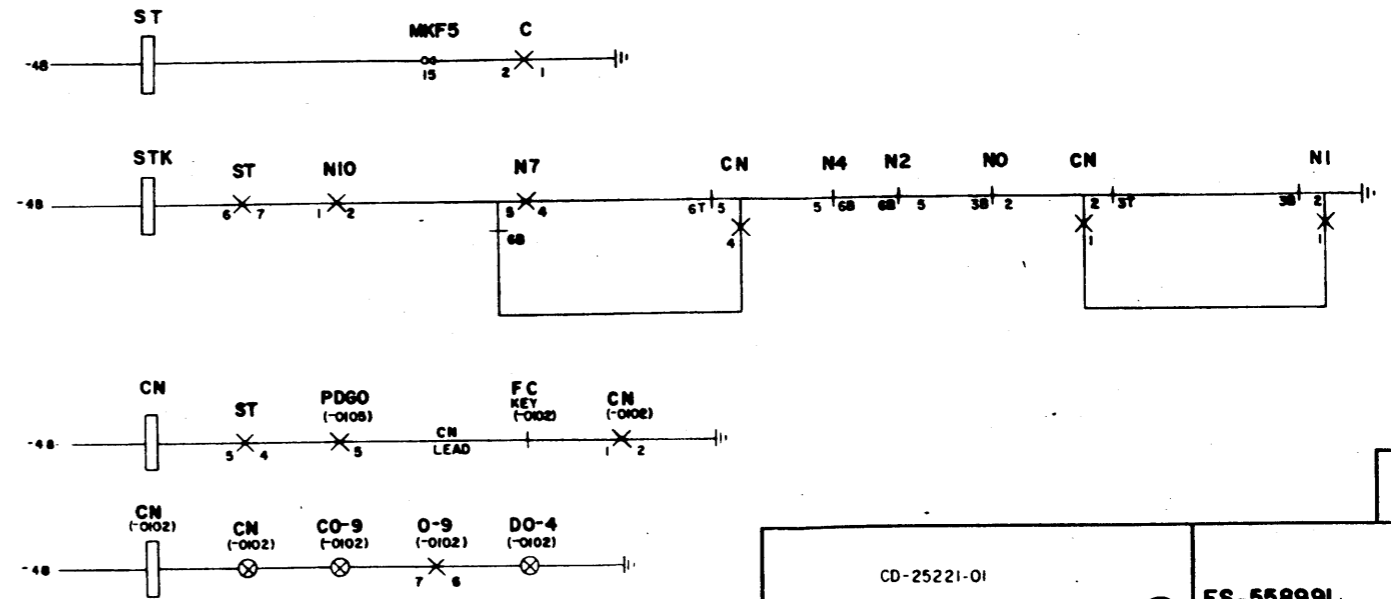


FIG. 151 - CHECKING THE START PULSE ON PREFIX DIGIT 0 COIN CALLS. SECTION - 0141-11

ES-558991

CD-25221-01	2 BELL TELEPHONE LABORATORIES INCORPORATED	ES-558991
		SHEET 60

ISSUE 10

LOW 8 3/8 INCHES
FOR BINDING
WHEN REDUCED

0 1 2 3 4 5 6 7 8 9

A
B
C
D
E
F
G
H

A
B
C
D
E
F
G
H

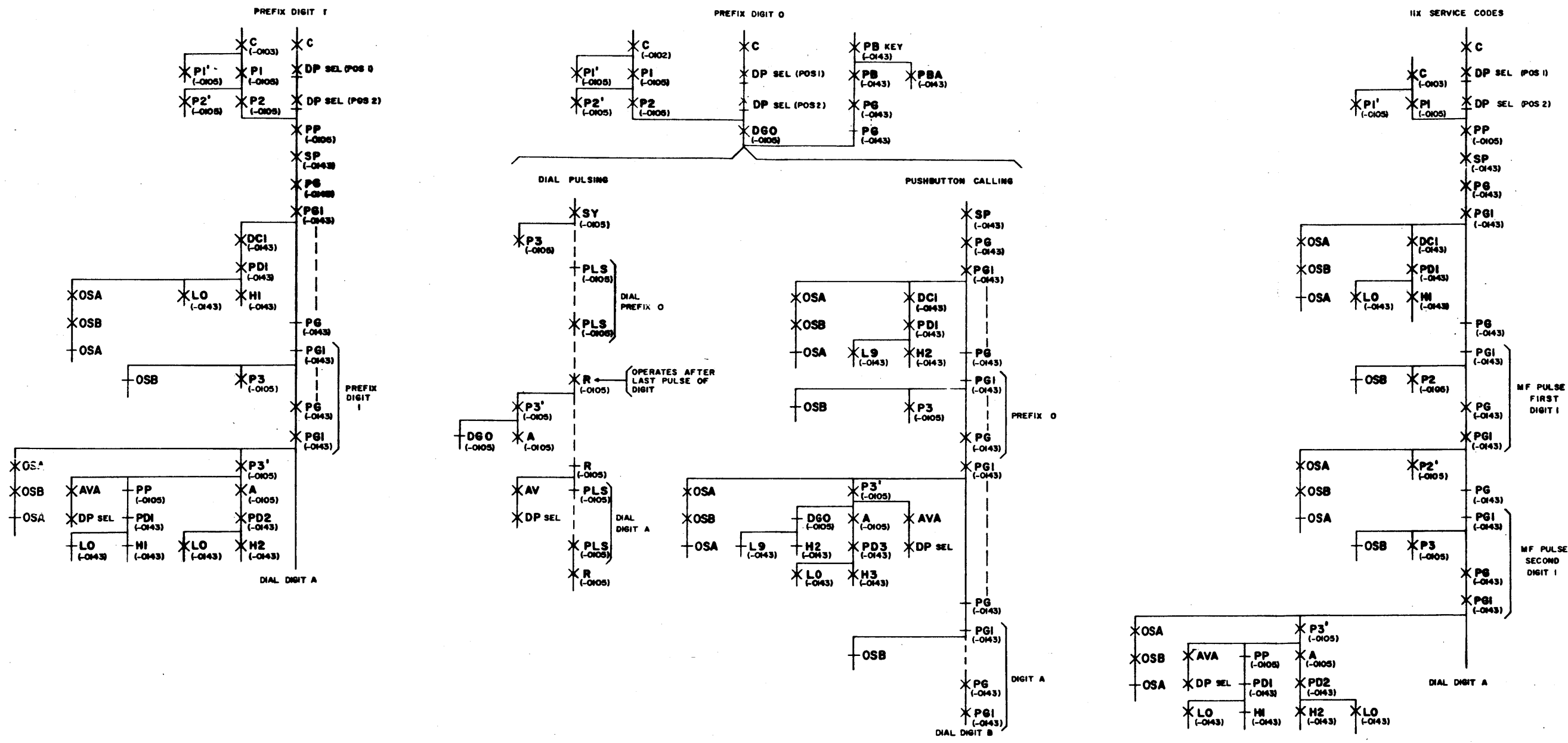


FIG. 152- SEQUENCE CHARTS-PREFIX DIGITS 0,1
FULL SELECTOR CALL
SECTION-0111-6

ES-55891

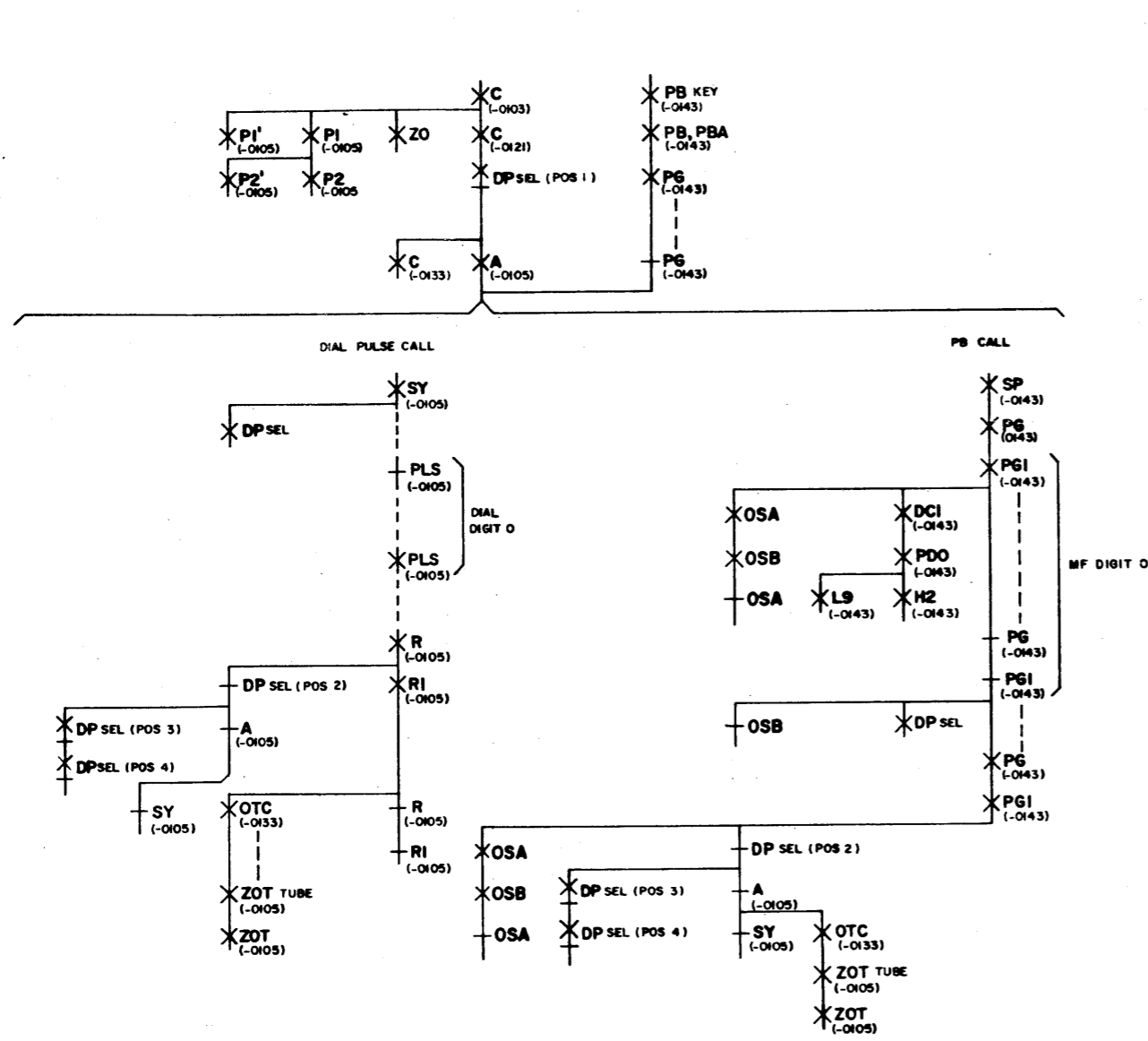


FIG. 153 - ZERO OPERATOR CALL - DIAL DIGIT 0
SECTION - 0121 - 11

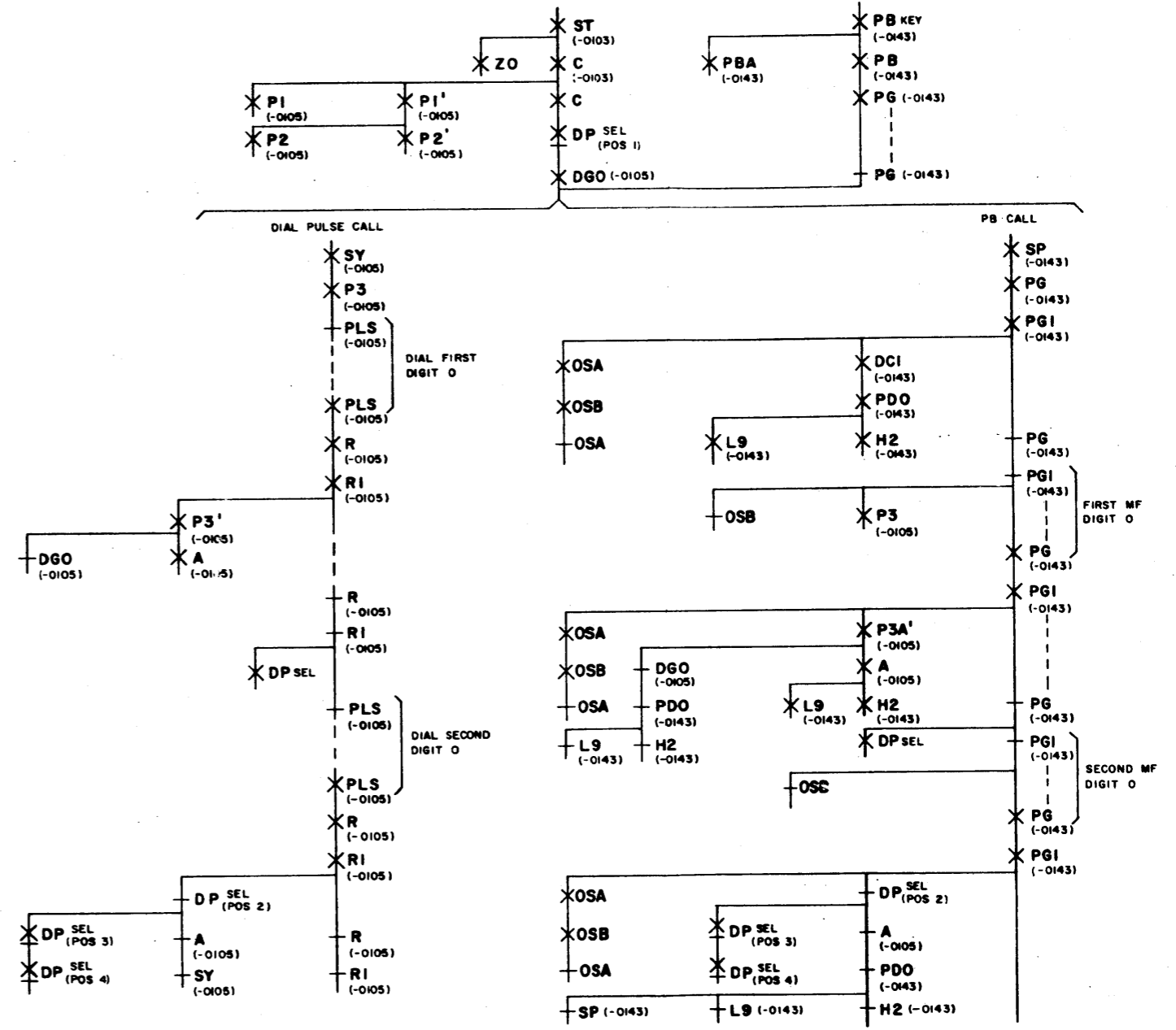


FIG. 154 - ZERO OPERATOR CALL - DIAL
DIGITS (0-0)
SECTION - 0121 - 11

LOW 8 3/8 INCHES
FOR BINDING
WHEN REDUCED

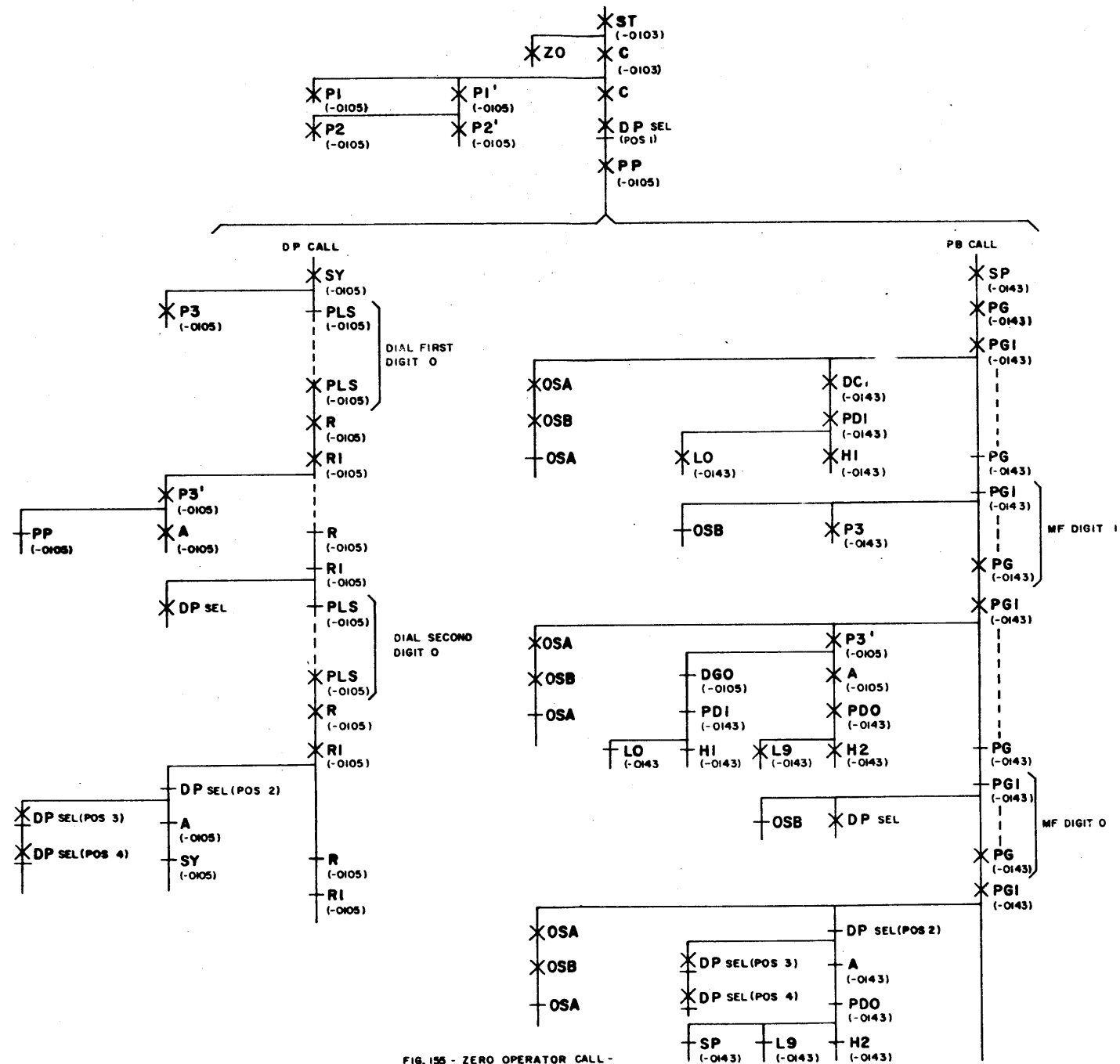


FIG. 155 - ZERO OPERATOR CALL -
DIAL DIGITS (1-0)
SECTION - 0121-11

ES-558991

ISSUE
10

LOW 8 3/8 INCHES
FOR BINDING
WHEN REDUCED

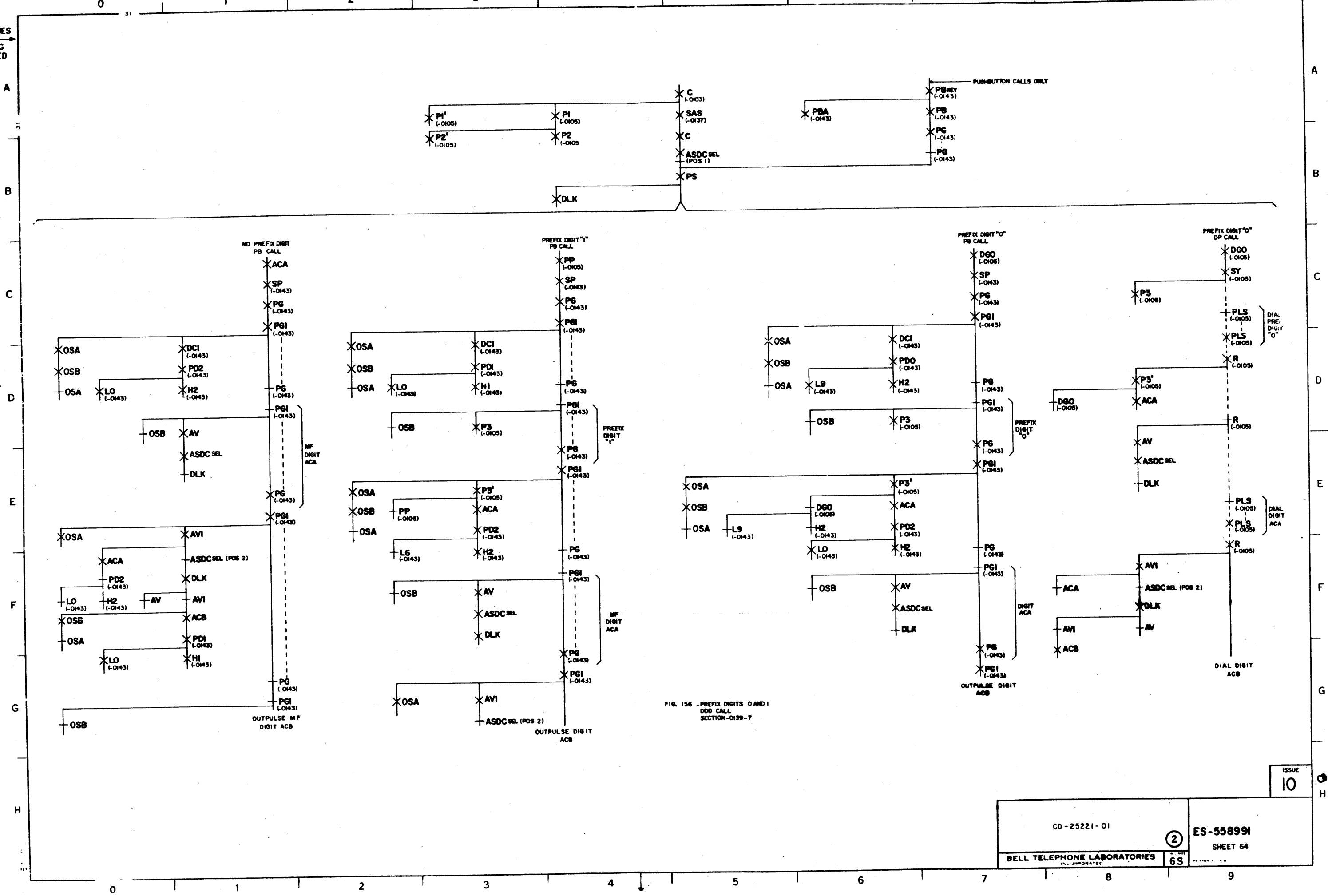


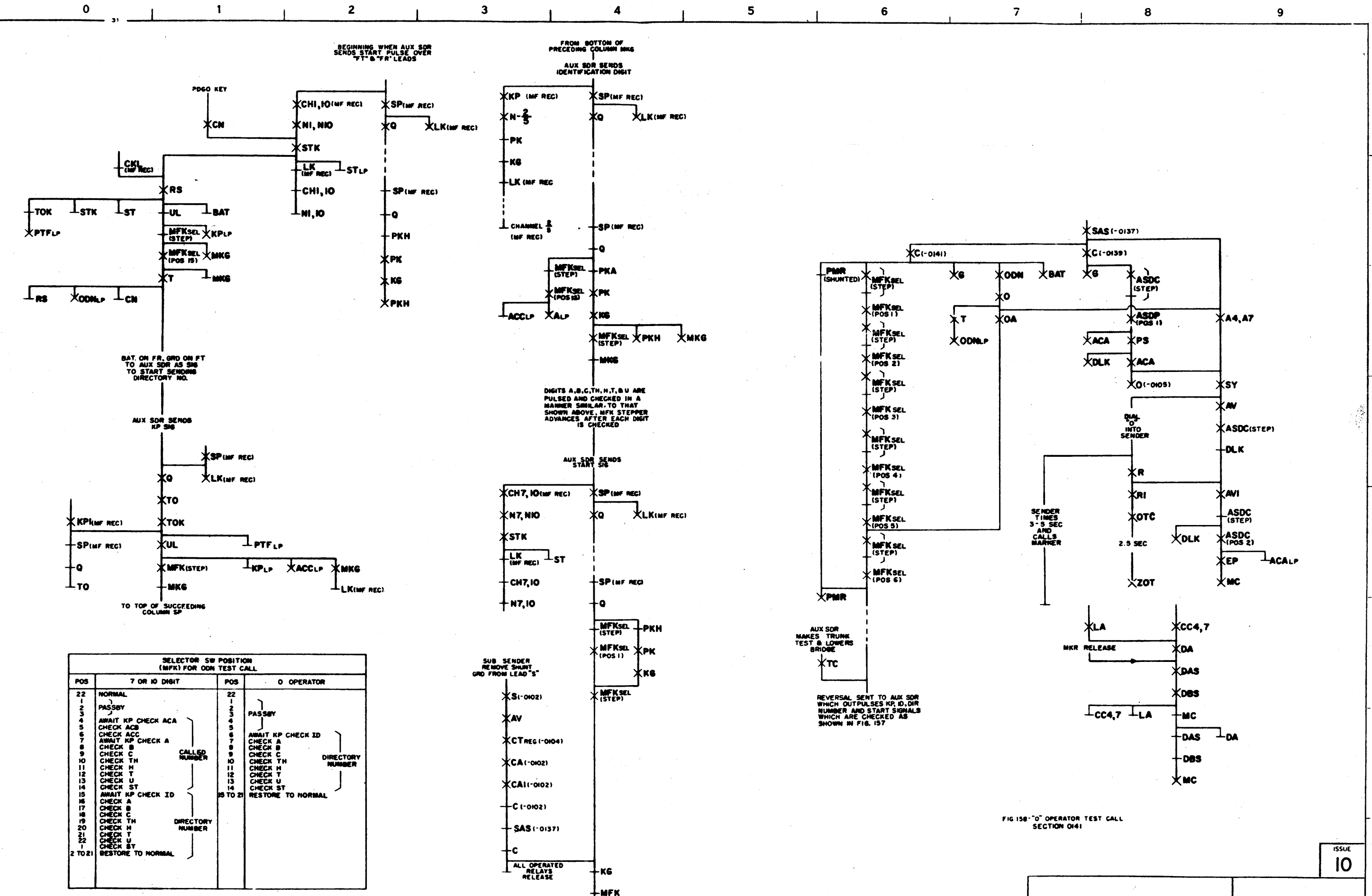
FIG. 156 - PREFIX DIGITS 0 AND 1
DDD CALL
SECTION-0139-7

ES-55899I

ISSUE
10

CD-25221-01	2	ES-55899I
BELL TELEPHONE LABORATORIES <small>INCORPORATED</small>	6S	SHEET 64

LOW 8 3/8 INCHES FOR BINDING WHEN REDUCED



SELECTOR SW POSITION (MFK) FOR ODN TEST CALL

POS	7 OR 10 DIGIT	POS	O OPERATOR
22	NORMAL	22	
1	PASSBY	1	PASSBY
2		2	
3		3	
4	AWAIT KP CHECK ACA	4	
5	CHECK ACB	5	
6	CHECK ACC	6	AWAIT KP CHECK ID
7	AWAIT KP CHECK A	7	CHECK A
8	CHECK B	8	CHECK B
9	CHECK C	9	CHECK C
10	CHECK TH	10	CHECK TH
11	CHECK H	11	CHECK H
12	CHECK T	12	CHECK T
13	CHECK U	13	CHECK U
14	CHECK ST	14	CHECK ST
15	AWAIT KP CHECK ID	15 TO 21	RESTORE TO NORMAL
16	CHECK A		
17	CHECK B		
18	CHECK C		
19	CHECK TH		
20	CHECK H		
21	CHECK T		
22	CHECK U		
2 TO 21	RESTORE TO NORMAL		

FIG 157 ODN TEST CALL SECTION 0141

AUX SDR MAKES TRUNK TEST & LOWERS BRIDGE

REVERSAL SENT TO AUX SDR WHICH OUTPUTS KP, ID, DIR NUMBER AND START SIGNALS WHICH ARE CHECKED AS SHOWN IN FIG. 157

FIG 158 "O" OPERATOR TEST CALL SECTION 0141

ES-55891

ALLOW $8\frac{3}{8}$ INCHES FOR BINDING WHEN REDUCED

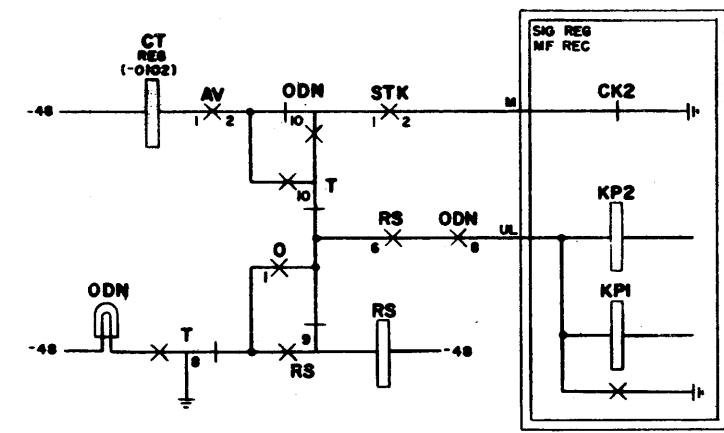


FIG. 159 - RELEASE AND RESET FOR ODN SECTION 0141

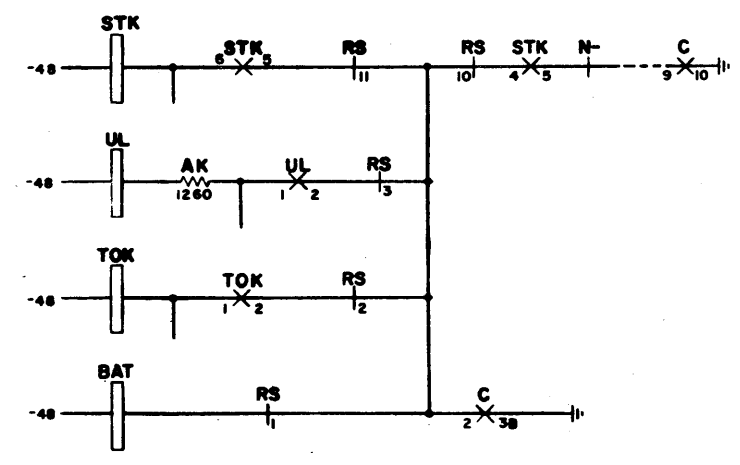


FIG. 160 - RESET FOR ODN SECTION 0141

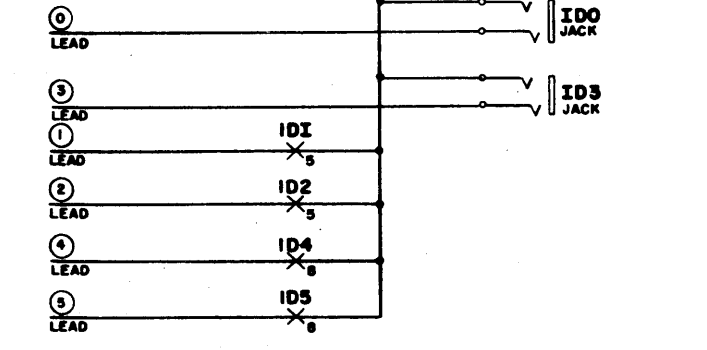
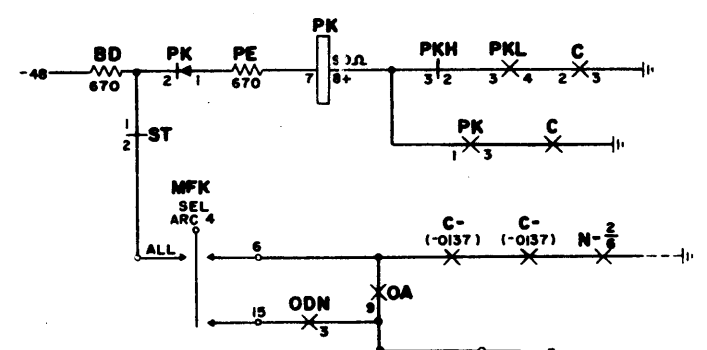
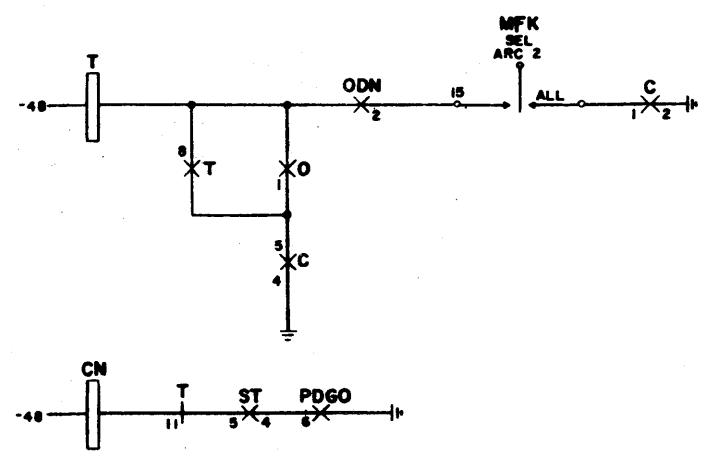
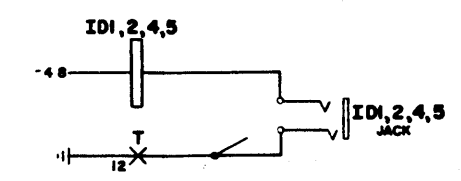
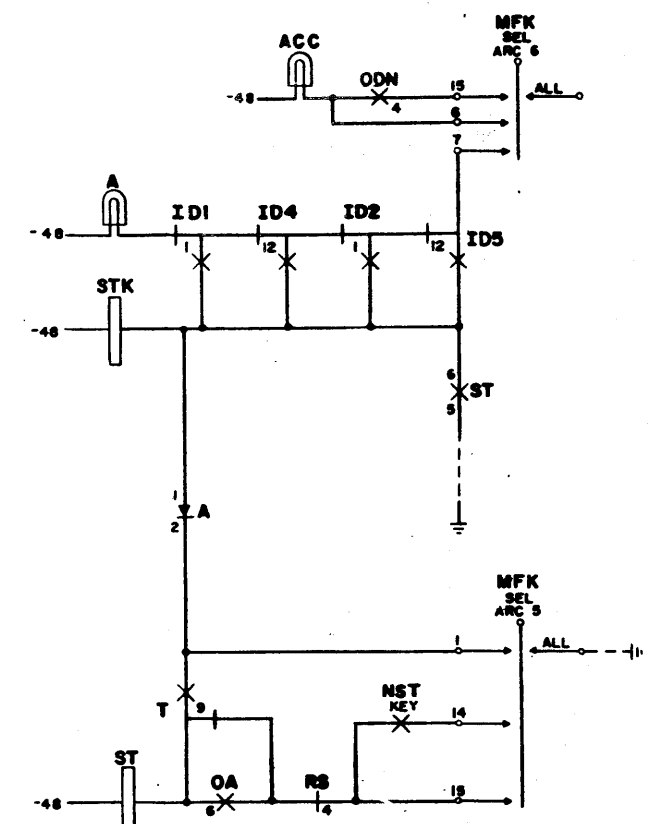


FIG. 161 - DIGIT CHECK FOR ODN SECTION 0141



ES-558991

AW 8 3/8 INCHES
OR BINDING
WHEN REDUCED

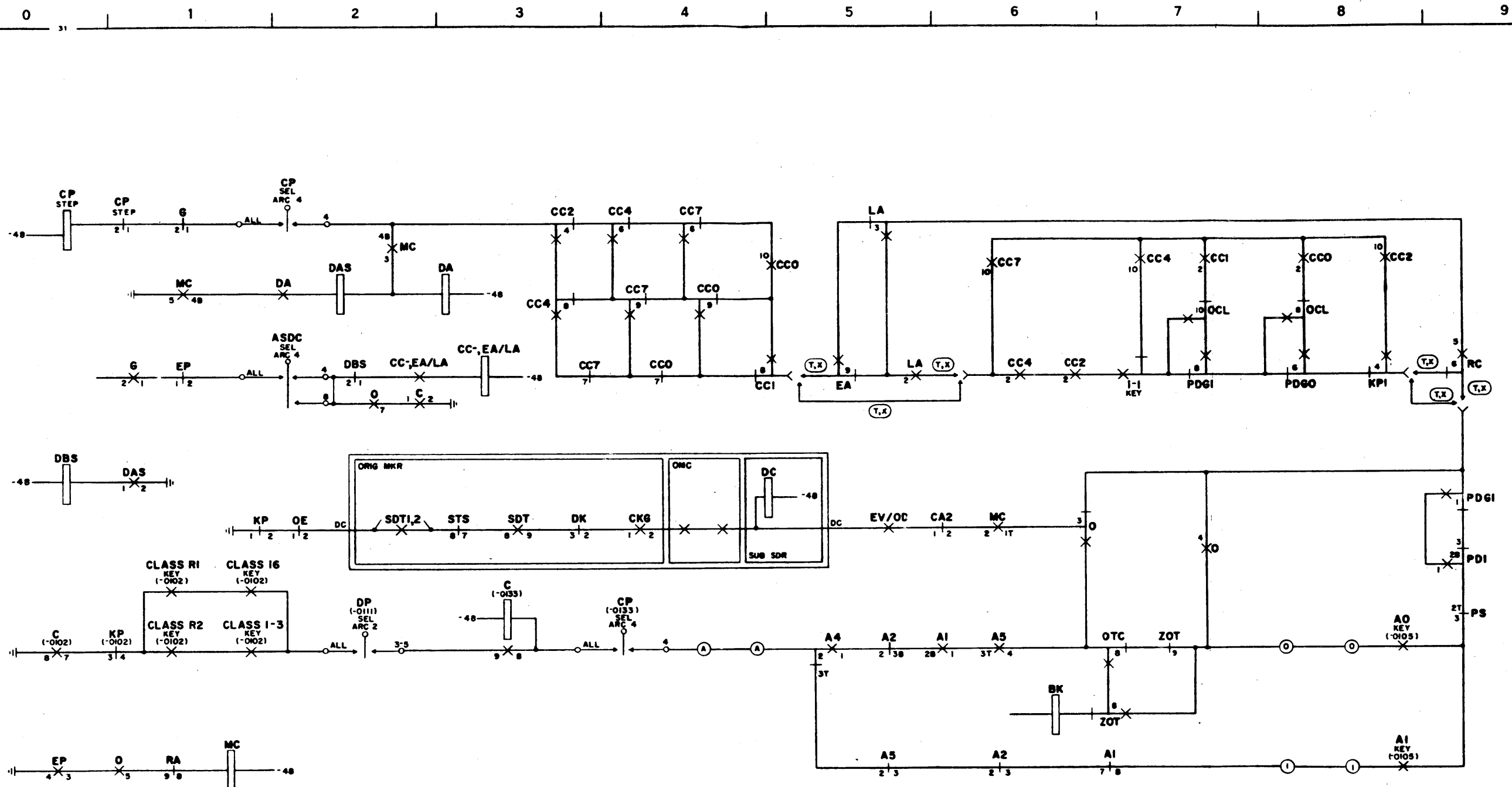


FIG. 162 - PREFIX DIGIT LEAD CHECK WITH ODN
SECTION - 0141-20

ES-558991

ISSUE
10

CD-25221-01	2 6S	ES-558991 SHEET 67
BELL TELEPHONE LABORATORIES		

ALLOW $8\frac{3}{8}$ INCHES
FOR BINDING
WHEN REDUCED

DRAWING
ISSUE

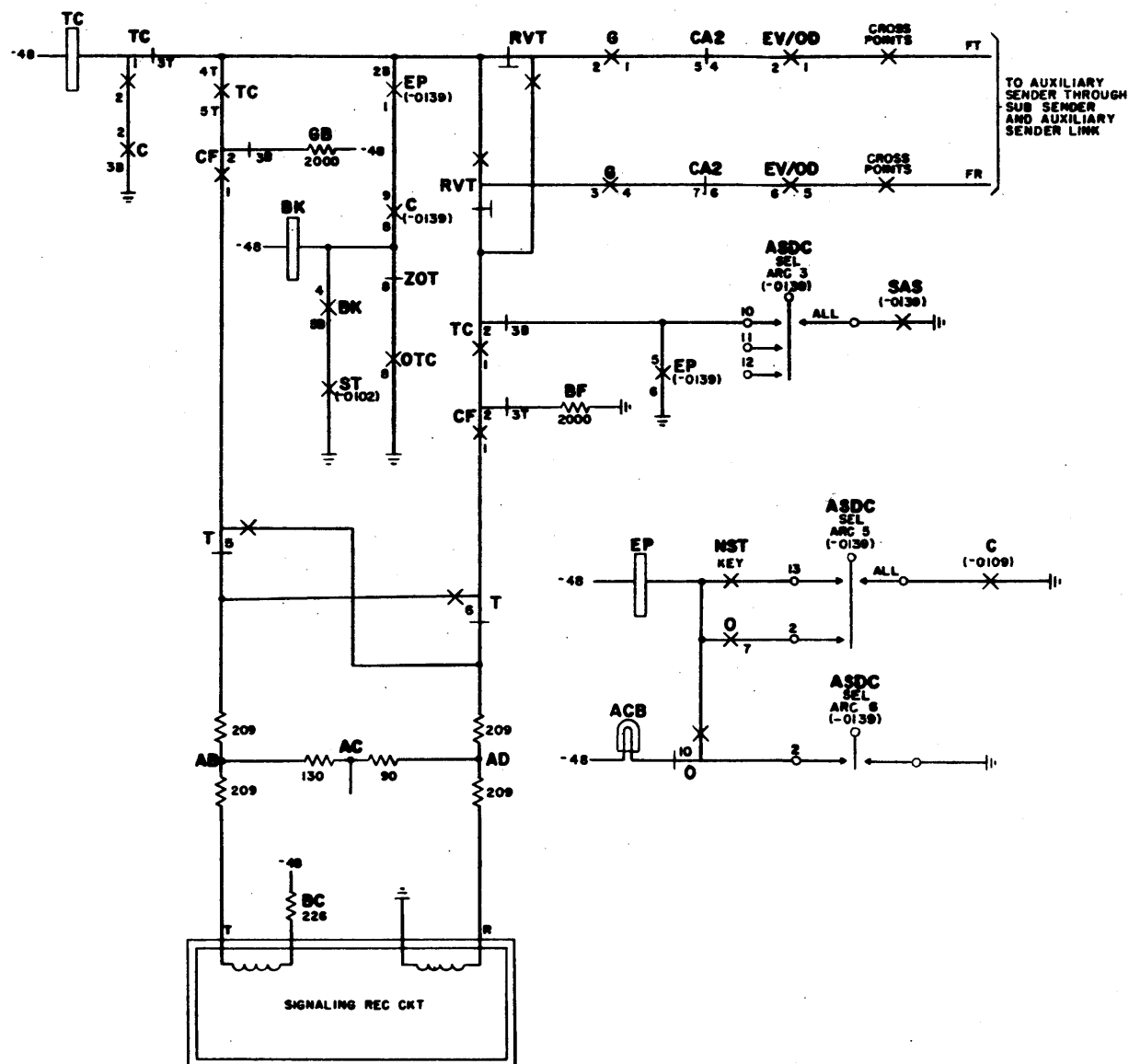


FIG. 163 - TEST TRUNK
SECTION - 0141-20

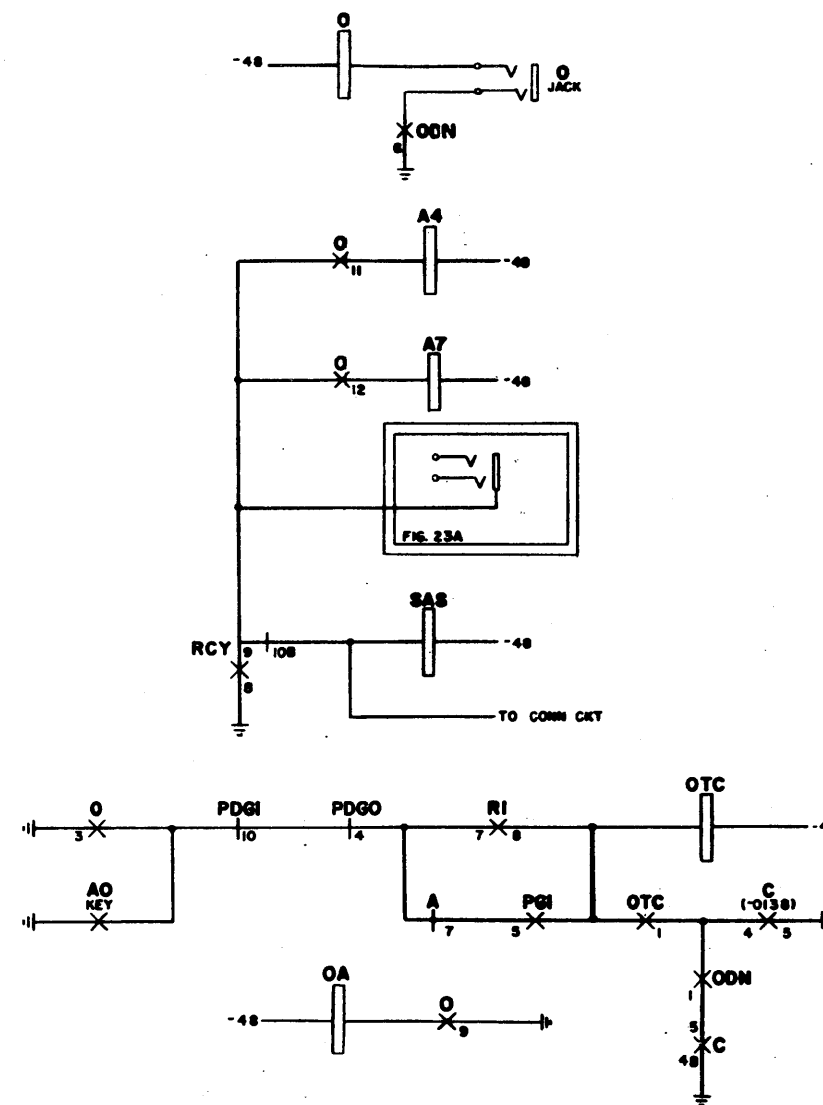


FIG. 164 - "O" OPERATOR
ODN CALL
SECTION - 0141-20

ES - 558991

ISSUE
10

CD - 25221-01		ES - 558991	
BELL TELEPHONE LABORATORIES INCORPORATED		SHEET 68	
6S		PRINTED IN U.S.A.	

ALLOW $8\frac{3}{8}$ INCHES
FOR BINDING
WHEN REDUCED

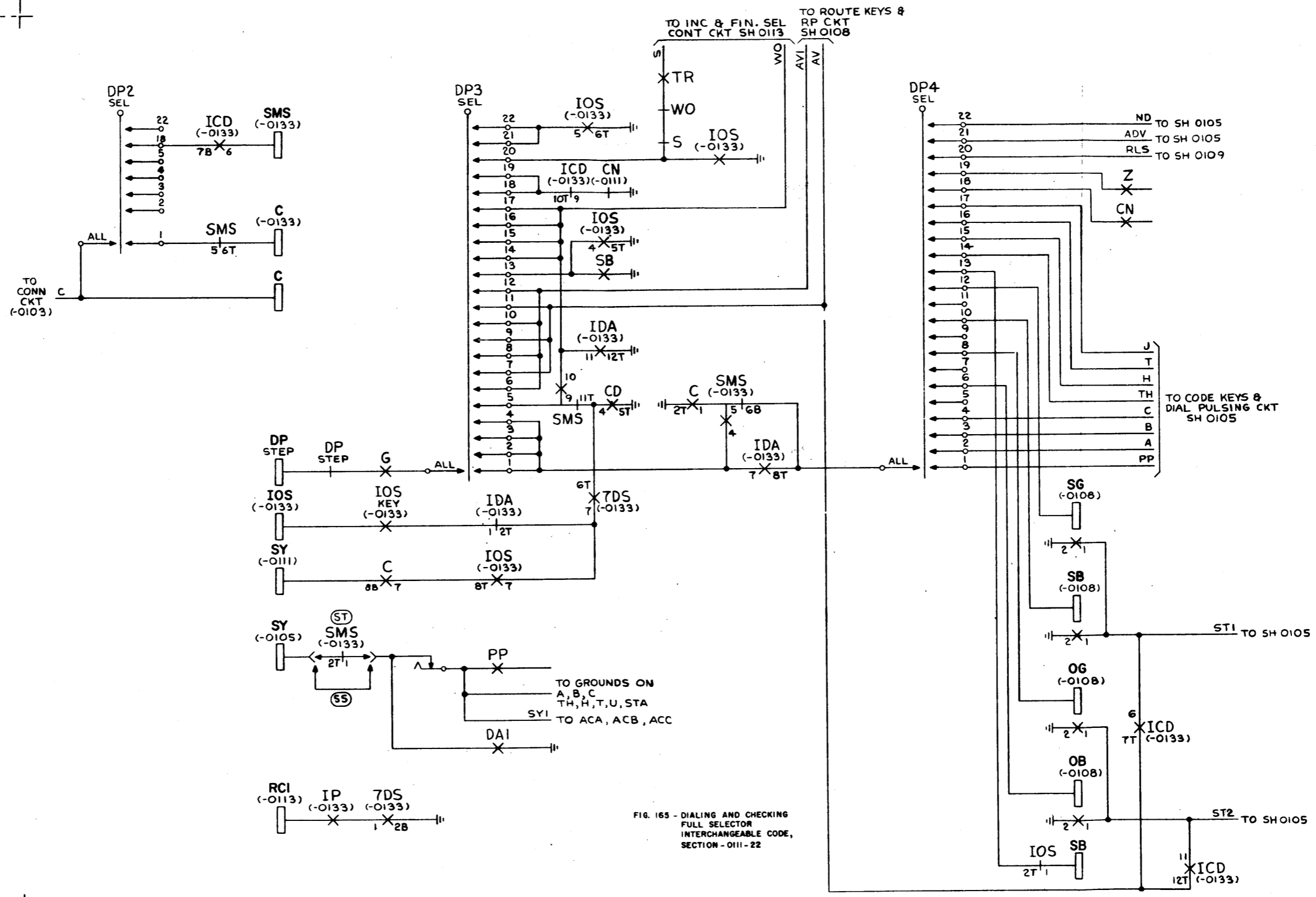


FIG. 165 - DIALING AND CHECKING
FULL SELECTOR
INTERCHANGEABLE CODE,
SECTION - 0111-22

ES-558991

STABILO
ME

ALLOW $8\frac{3}{8}$ INCHES
FOR BINDING
WHEN REDUCED

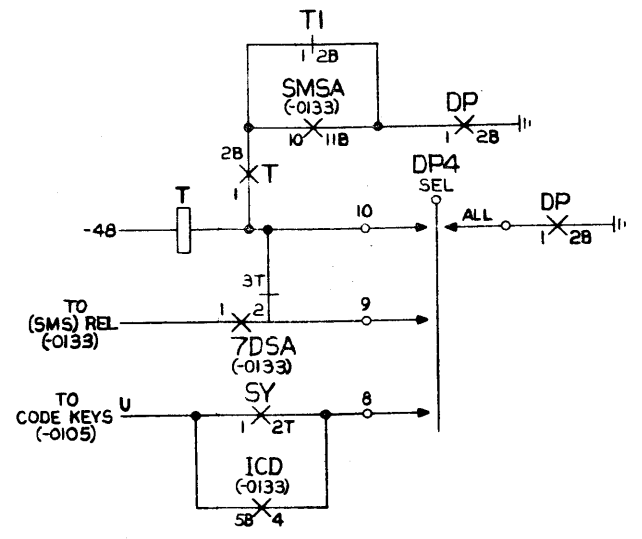
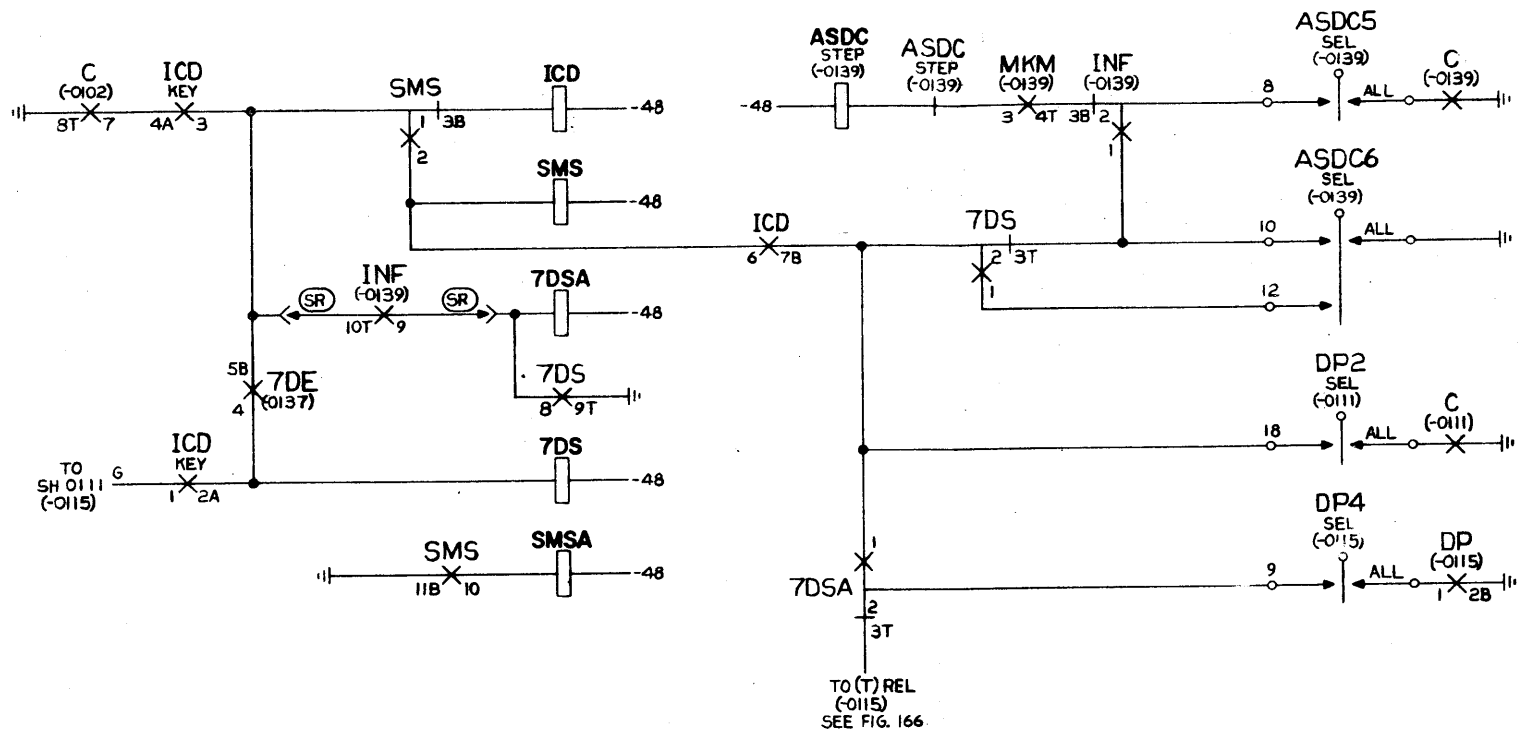


FIG. 166 - DIALING AND CHECKING,
PCI INTERCHANGEABLE CODE,
SECTION -0115-25

PREPARATION FOR FIRST
AND SECOND SEIZURE

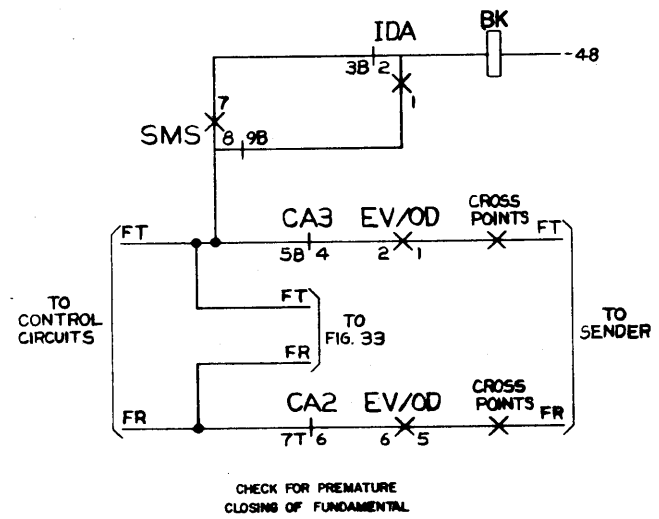
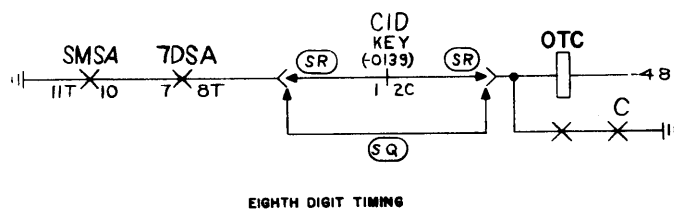


FIG. 167 - PREPARATION -
INTERCHANGEABLE CODE,
SECTION -0133-21



EIGHTH DIGIT TIMING

ES-558991

ALLOW 8 ³/₈ INCHES
FOR BINDING
WHEN REDUCED

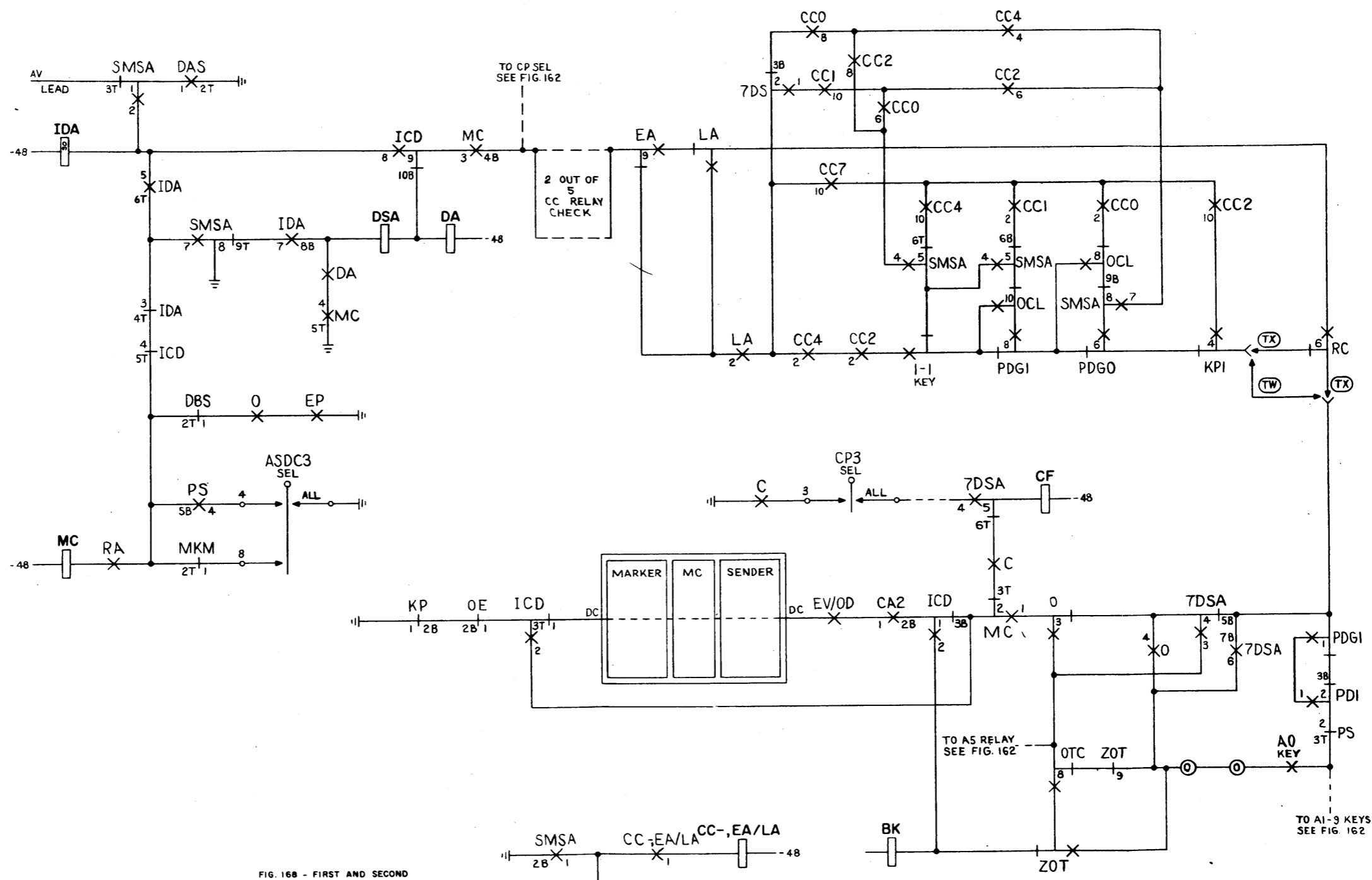


FIG. 168 - FIRST AND SECOND SEIZURE CHECK, INTERCHANGEABLE CODE, SECTION - 0133-21

DRAWING ISSUE 5

ES-558991

STABLO

CD-25221-01		②	ES-558991
BELL TELEPHONE LABORATORIES INCORPORATED			SHEET 71
		65	PRINTED IN U.S.A.

ALLOW $8\frac{3}{8}$ INCHES
FOR BINDING
WHEN REDUCED

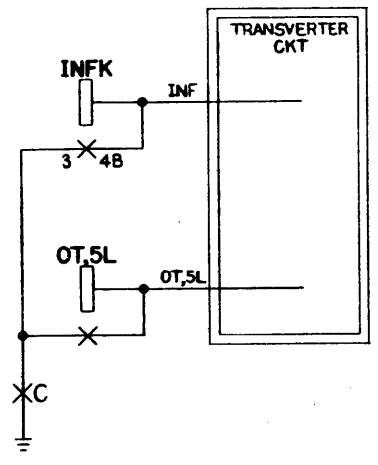
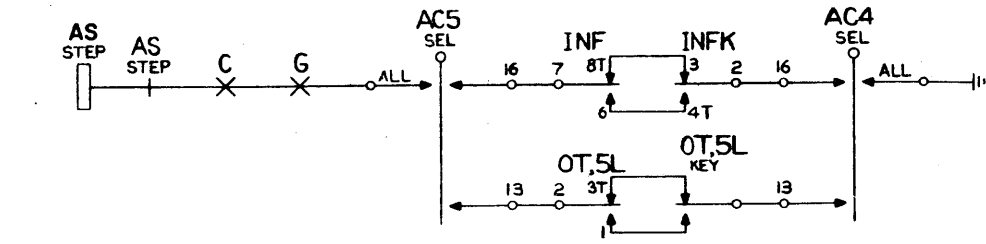


FIG. 169 - INF AND 5L LEAD CHECK,
SECTION - 0135-6

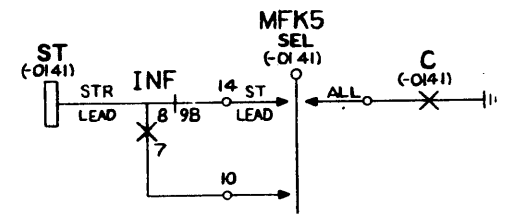
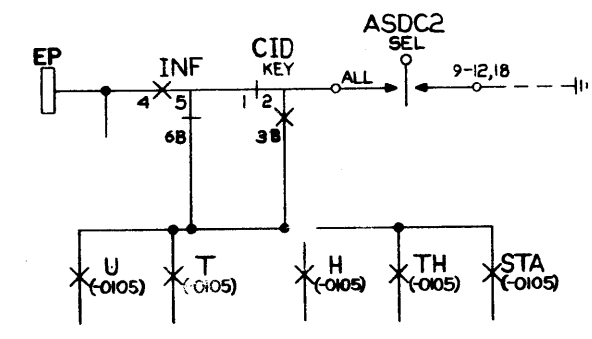
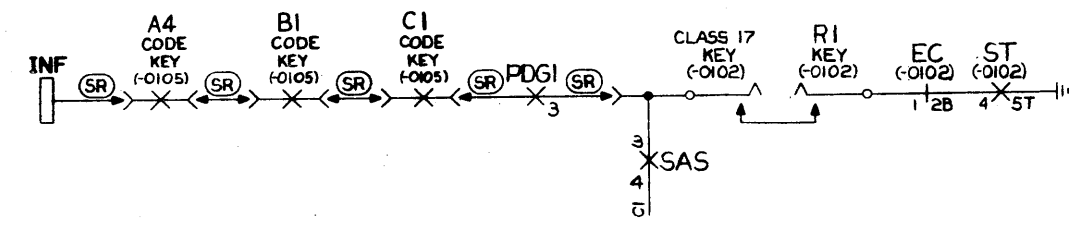


FIG. 170 - INFORMATION CODE 411,
SECTION - 0139-27

ES-558991

STABLO

CD-25221-01	ISSUE 10
BELL TELEPHONE LABORATORIES INCORPORATED	ES-558991 SHEET 72
65	

ALLOW 8 ³/₈ INCHES FOR BINDING WHEN REDUCED

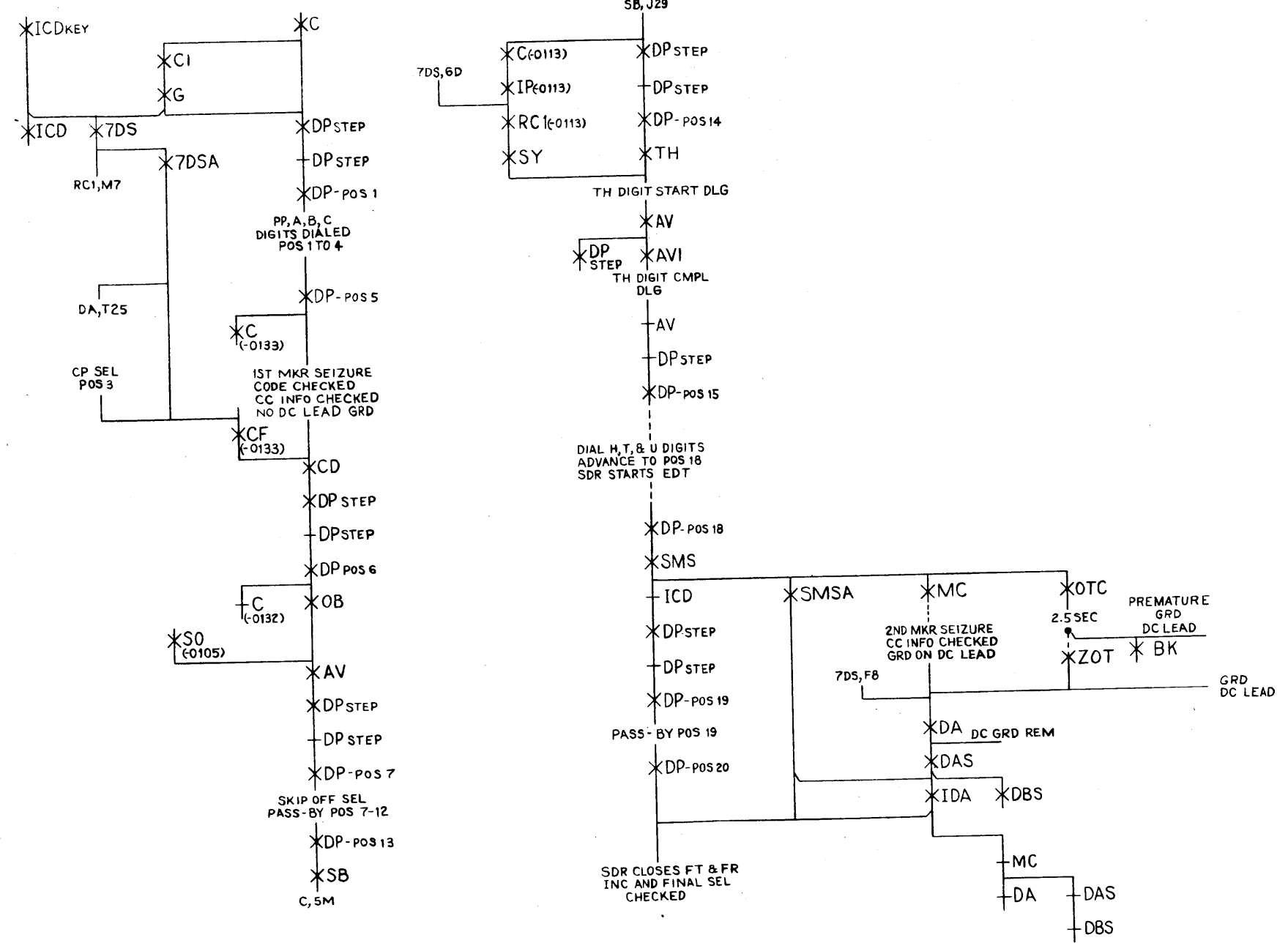


FIG. 171- SEQUENCE CHART, FULL SELECTOR CALL, SKIP OFFICE, INTERCHANGEABLE CODE, SECTION - 011-22.3

ES-558991

CD-25221-01

ES-558991 SHEET 73

BELL TELEPHONE LABORATORIES INCORPORATED 65

ISSUE 10

8 3/8 INCHES
OR BINDING
IN REDUCED

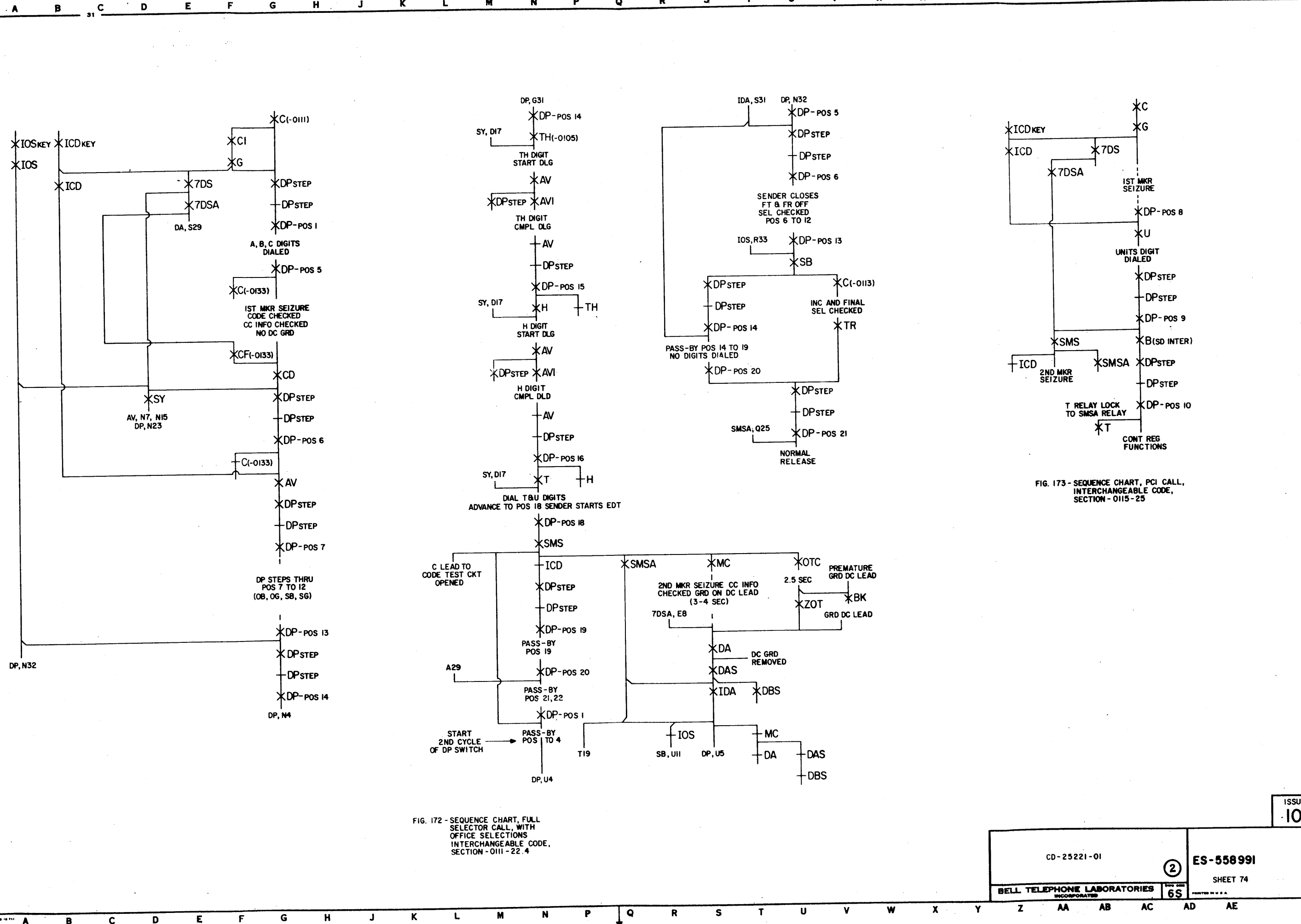


FIG. 172 - SEQUENCE CHART, FULL SELECTOR CALL, WITH OFFICE SELECTIONS INTERCHANGEABLE CODE, SECTION - 0111 - 22.4

FIG. 173 - SEQUENCE CHART, PCI CALL, INTERCHANGEABLE CODE, SECTION - 0115 - 25

CD-25221-01		2	6S	ES-558991
BELL TELEPHONE LABORATORIES INCORPORATED				

ISSUE
10

ES-558991

ALLOW 8 ³/₈ INCHES FOR BINDING WHEN REDUCED

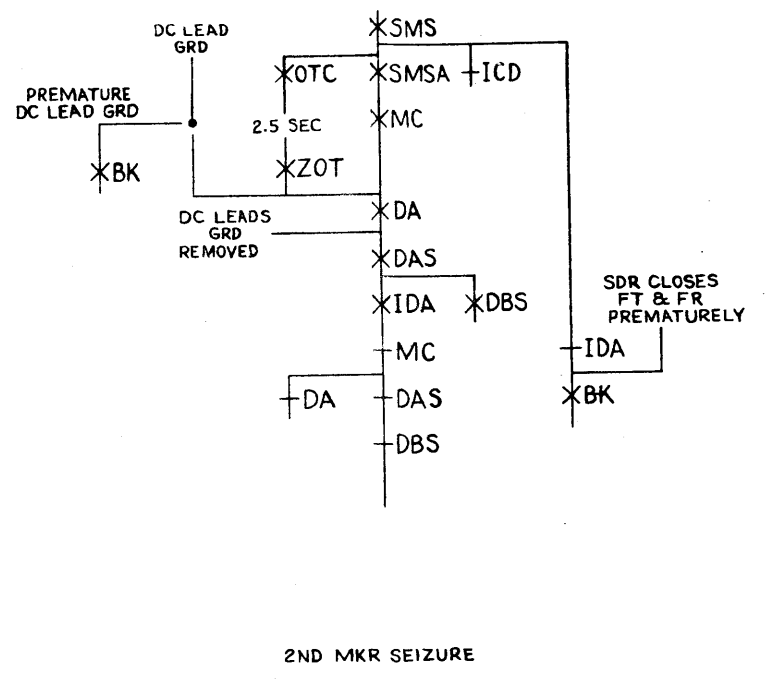
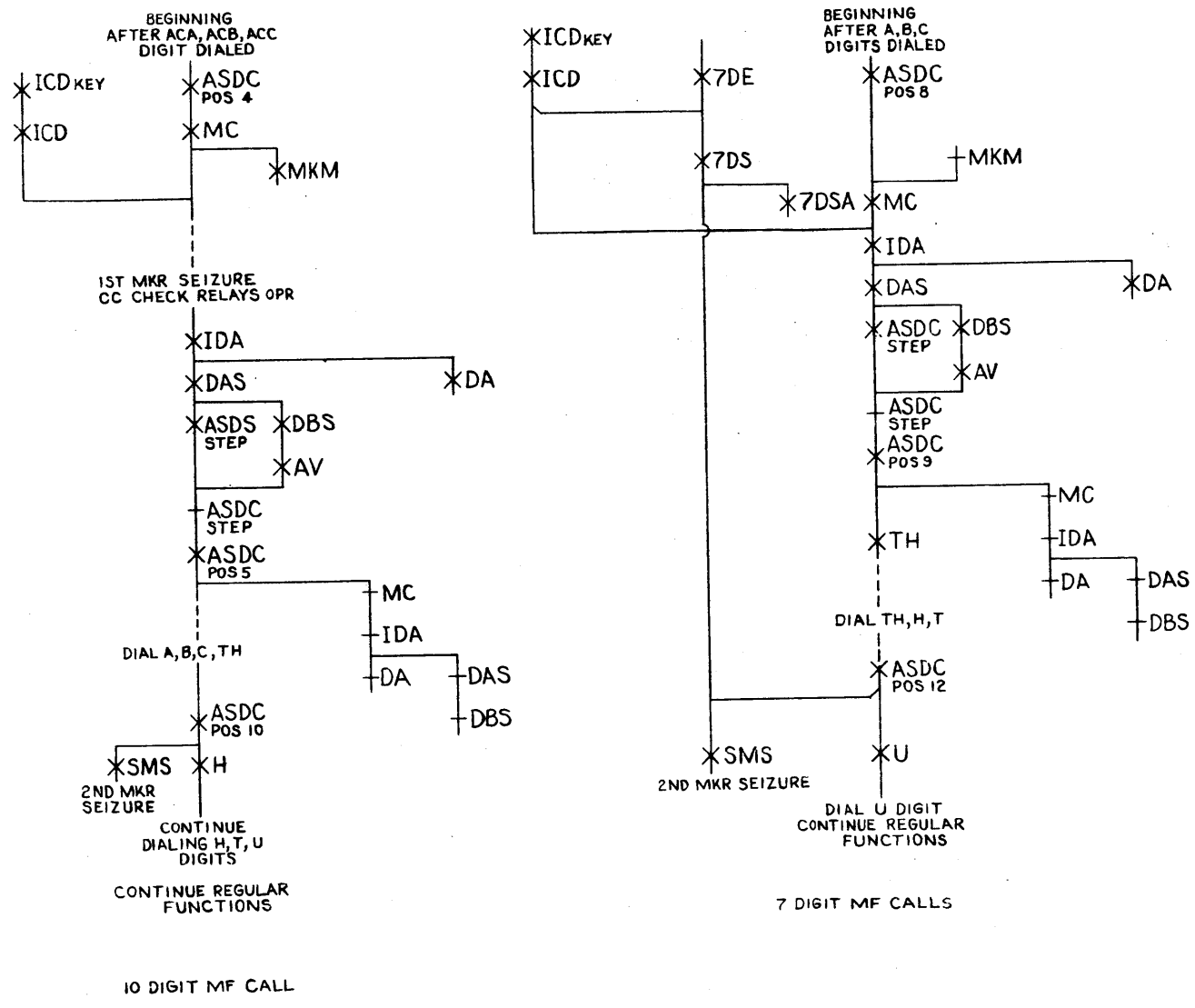


FIG. 174 - SEQUENCE CHART, MF CALL, INTERCHANGEABLE CODE, SECTION - 0139-29

ES-558991

STABLO

CD-25221-01	ES-558991 SHEET 75
BELL TELEPHONE LABORATORIES INCORPORATED	ISSUE 10

ISSUE 10

DW 8 3/8 INCHES
FOR BINDING
MEN REDUCED

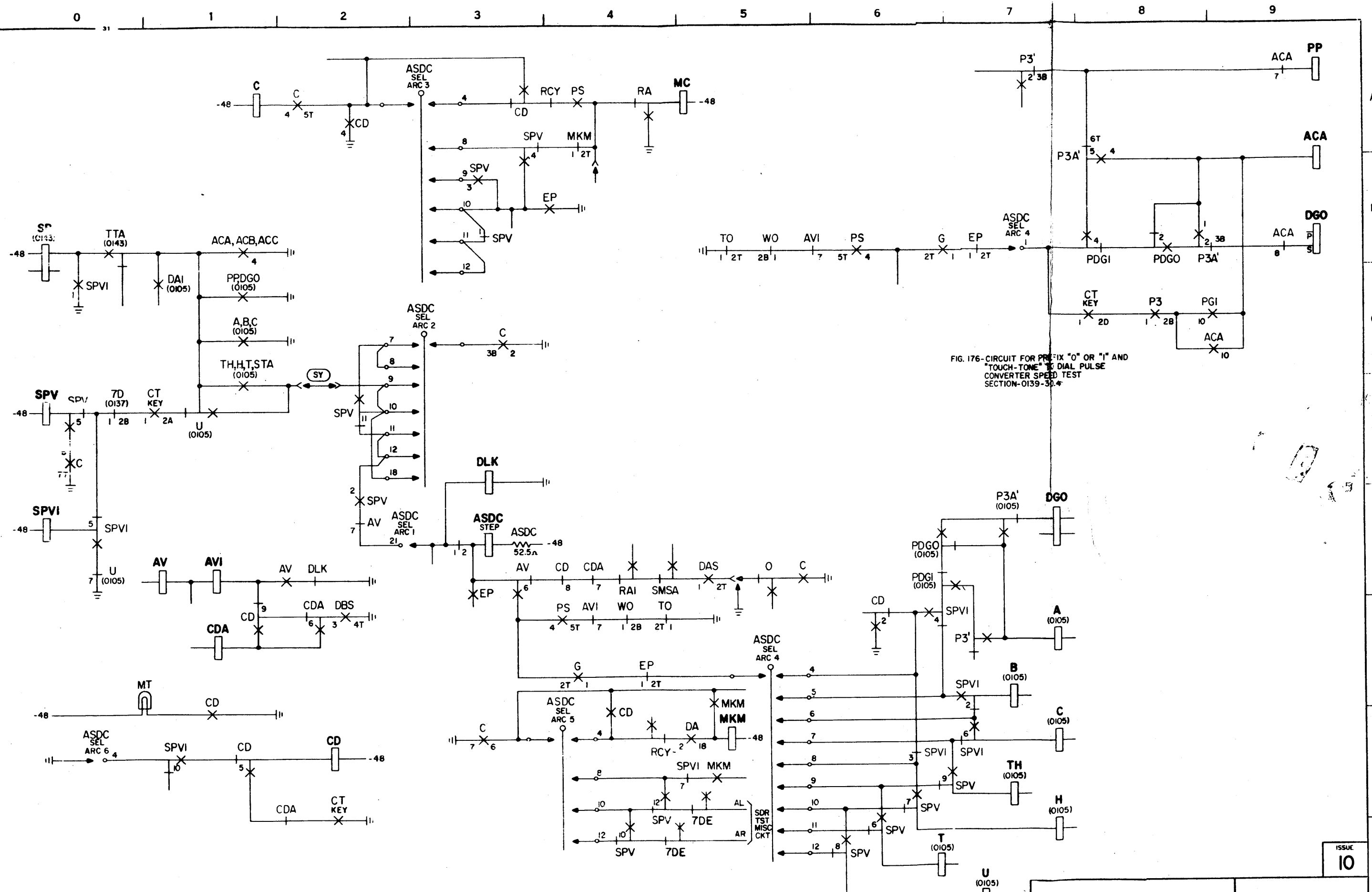


FIG. 176-CIRCUIT FOR PREFIX "0" OR "1" AND
"TOUCH-TONE" TO DIAL PULSE
CONVERTER SPEED TEST
SECTION-0139-30.4

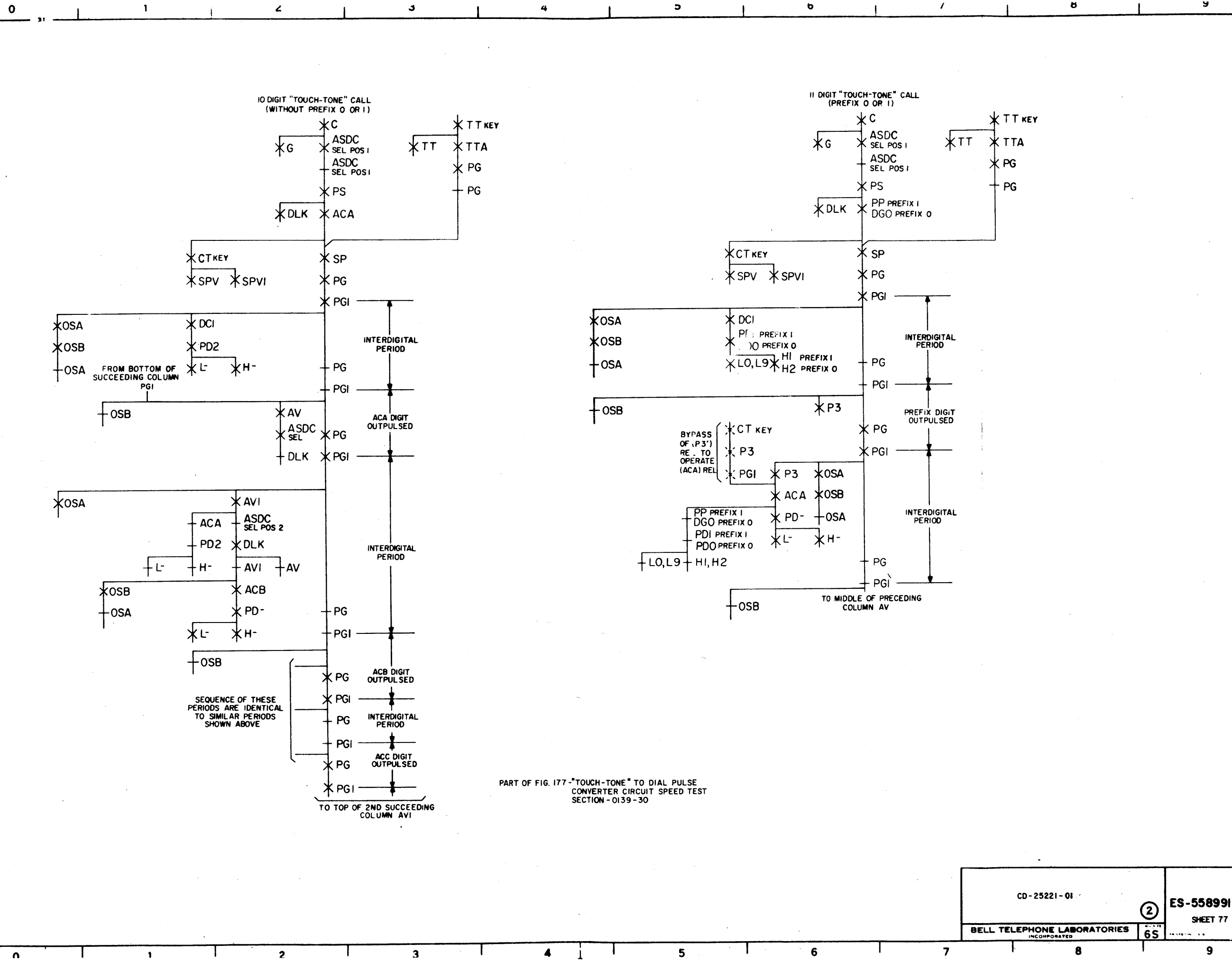
FIG 175-CIRCUIT FOR "TOUCH-TONE" TO DIAL
PULSE CONVERTER SPEED TEST
SECTION-0139-30.2

ES-558991

CD-25221-01		ES-558991 SHEET 76
BELL TELEPHONE LABORATORIES INCORPORATED		
65		ISSUE 10

LOW 8 1/8 INCHES
FOR BINDING
WHEN REDUCED

A
B
C
D
E
F
G
H

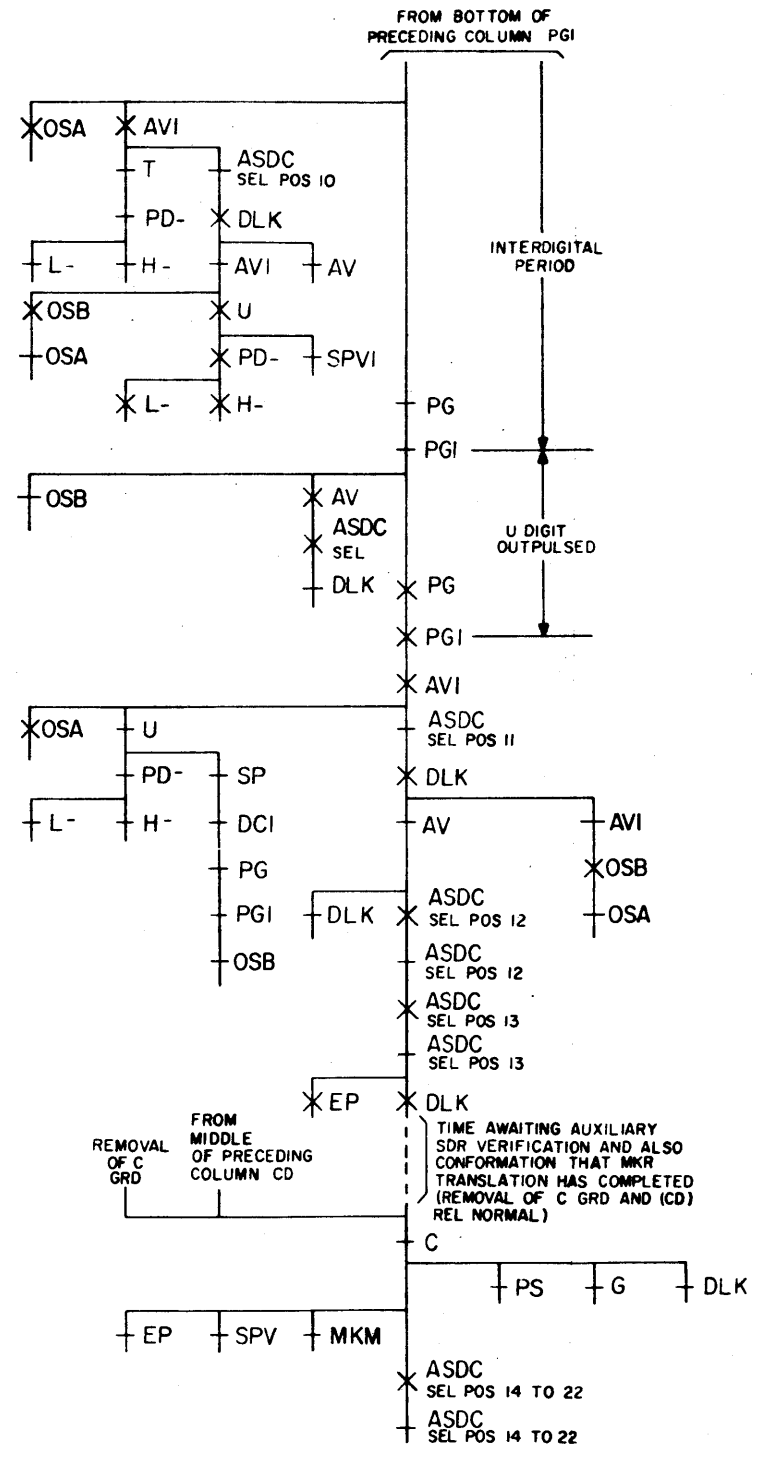
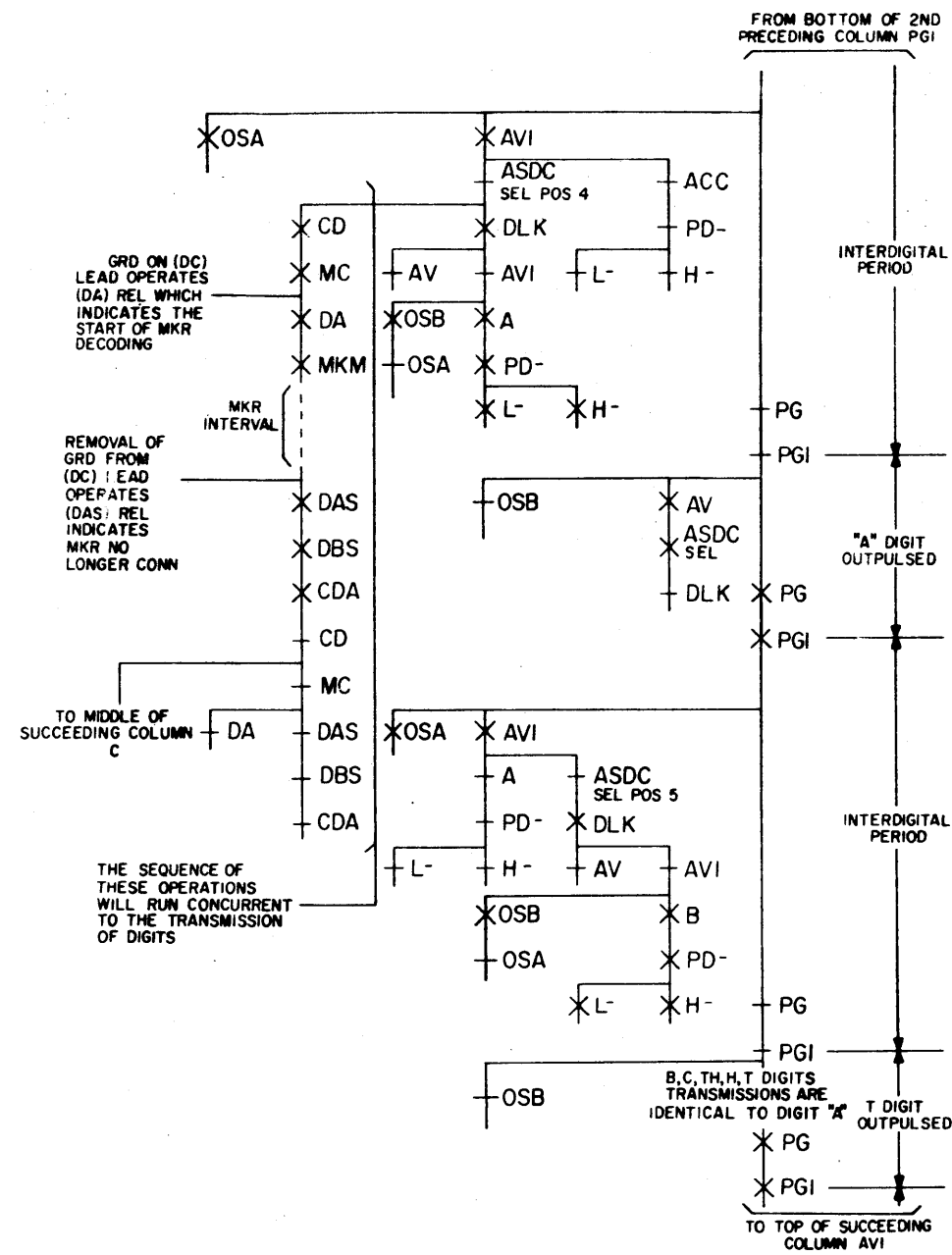


PART OF FIG. 177 - "TOUCH-TONE" TO DIAL PULSE
CONVERTER CIRCUIT SPEED TEST
SECTION - 0139-30

ES-558991

ISSUE
10

LOW 8 1/8 INCHES
FOR BINDING
WHEN REDUCED



PART OF FIG. 177 - "TOUCH-TONE" TO DIAL PULSE CONVERTER CIRCUIT SPEED TEST SECTION - 0139 - 30

ES-558991

ISSUE
10

TOP INCHES
FROM
HORIZONTAL
REDUCED

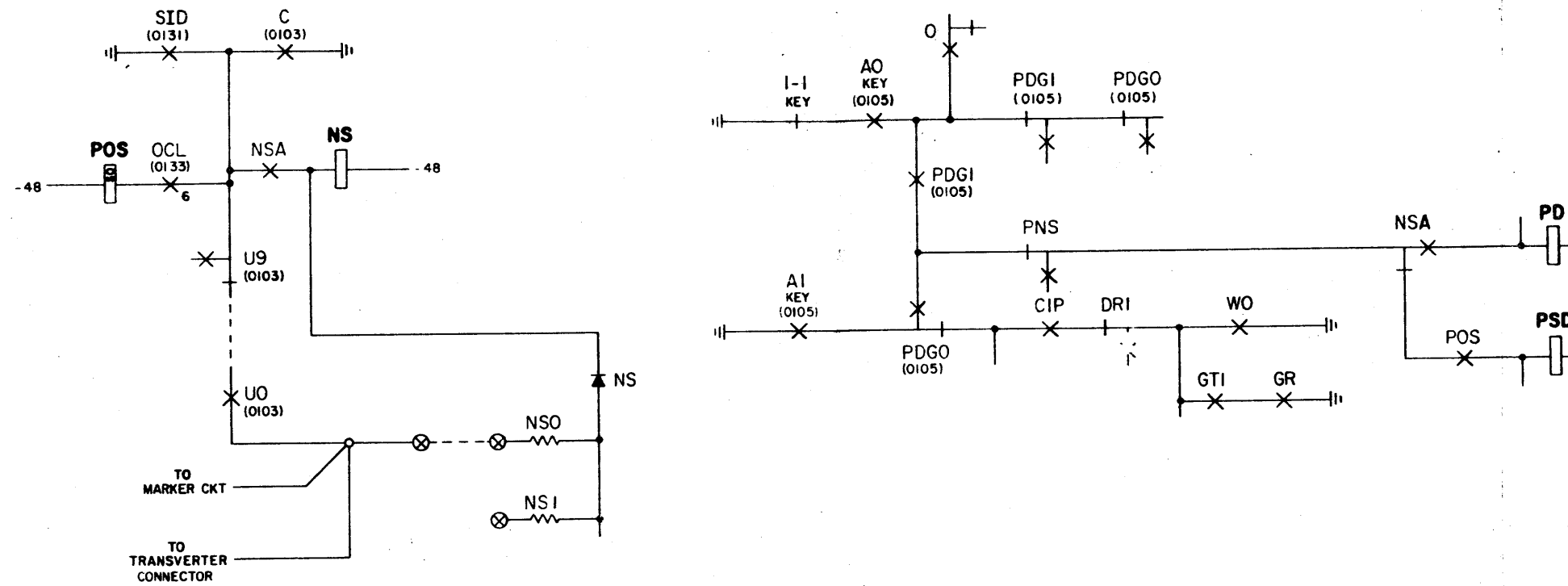


FIG. 178
BYPASSING THE SD-25012-01 SENDER
WHEN TESTING DOUBLE PREFIX "0-1, 1-0"
FEATURE OF SENDER SD-27810-01
SECTION 0102, PAR. 33.1

ES-558991

