

**Printing Instructions  
for  
Errata Booklet**

1. On Adobe Reader print menu, select “Actual size.”
2. Print pages 2-4.
3. Put these 3 pages back in the printer to print on the other side. Do not re-order pages or flip from side to side.
4. Now print pages 5-7.
5. Fold in half and it should read like a book. Keep it inside your copy of *Old-Time Telephones*.

**Errata**  
**January 26, 2016**  
**for**  
**Old-Time Telephones!**  
**Design, History, and Restoration**

**Ralph O. Meyer**



**2nd Edition**  
**Expanded and Revised**

## Errata

The 2<sup>nd</sup> Ed. of *Old-Time Telephones* is remarkably free of errors considering the huge amount of technical information that is presented, including many tables and original diagrams. Corrections were made for the second printing of the 1<sup>st</sup> Ed. and again for the 2<sup>nd</sup> Ed. Subsequently, *Old-Time Telephones* was used as the text for an on-line course called Telephony 101, and from time to time it is discussed on line with telephone collectors. This attention has flushed out a few more errors, and all of the errors identified to date are identified below.

Page 3. On the lines for pages 24 and 36, replace “Electric” with “Electrical.”

Page 5. On the line for page 125, insert a comma after the word “Common-battery.”

On the line for page 146, insert a comma after the word “Local-battery.”

On the line for page 225, replace “Voltage” with “Voltages.”

Page 15. Four lines up from the bottom, replace “e and g” with “E and g.”

Page 65. In the second sentence on this page, replace the words “the single-piece aluminum casting” with “a formed steel base with a cast-aluminum cradle on top.”

In the caption for Fig. 11-5, delete “cast-aluminum.”

In the sentence below Fig. 11-5, insert the following after “D1”: “all cast-aluminum (later a heavier cast zinc alloy).”

In the caption for Fig. 11-6, replace “aluminum” with “metal.”

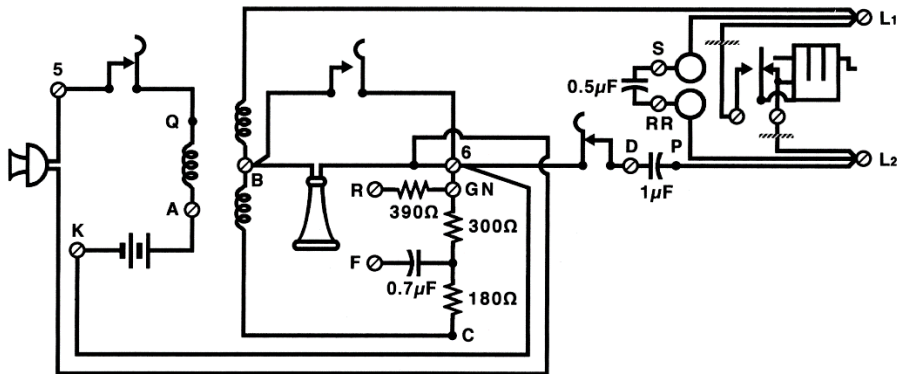


Fig. 18-9 Corrected

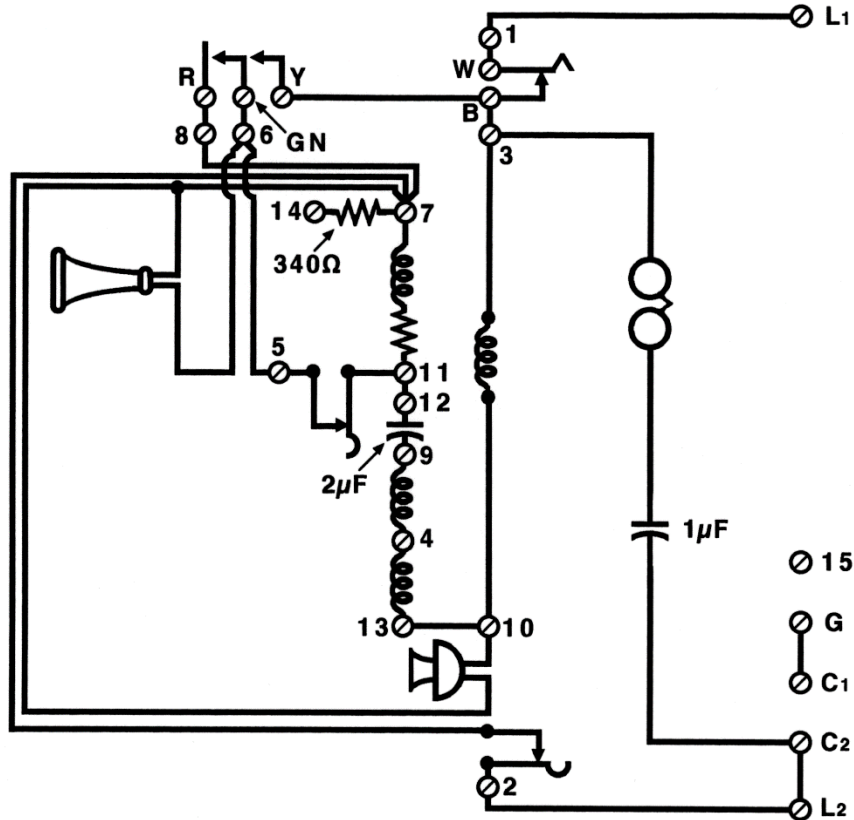


Fig. 17-18 Corrected

- Page 169. In the last sentence before **Princess-type Telephones**, insert “(No. 44A, 100A, or 104A)” after the words “across the receiver” but before the comma.
- Page 171. In the last sentence of the paragraph below Fig. 19-12, replace “A varistor ( $RV_1$ )” with “A 100-type varistor ( $RV_1$ ).”
- Page 172. Three lines down, replace “the varistor  $RV_A$ ” with “another 100-type varistor  $RV_A$ .”
- Nine lines down, replace “the varistor  $RV_2$ ” with “this 100-type varistor  $RV_2$ .”
- Page 195. In the upper margin, replace “*Mechanical Restoration*” with “*Tests and Measurements.*”
- Page 197. In the upper margin, replace “*Mechanical Restoration*” with “*Tests and Measurements.*”
- Page 199. In the upper margin, replace “*Mechanical Restoration*” with “*Tests and Measurements.*”
- Page 208. In Fig. 22-7, improved terminal markings are included in the Magneto Box (modified figure provided below).
- Page 216. Eight lines down under Table 22-1, replace “premise” with “premises.”
- Page 220. In the last line of the footnote, replace “100A” with 104A.”
- Page 221. Four lines above the footnote, replace “100A diffused-silicon” with 104A germanium.”

Page 222. In the caption for Fig. A-5, replace “100A” with “104A.”

In Fig. A-5, replace the label “No. 100A” with “No. 104A.”

Replace the 3<sup>rd</sup> and remaining sentences in the paragraph below Fig. A-5 with the following:

The No. 100A silicon varistor thus replaced the No. 44A copper-oxide varistor in the early 1960s. Around 1969, the No. 100A silicon varistor was replaced with a No. 104A germanium varistor, whose properties are shown in Fig. A-5. These varistors were cheaper to manufacture than the No. 44A, and the No. 104A had better performance with its lower voltage cutoff. The No. 100A and 104A varistors were encapsulated in a phenolic resin and look about like low-wattage resistors.

In the first line of the last paragraph, replace “Subsequently” with “For other applications.”

In the first line of the last paragraph, replace “100-type diffused-silicon” with “100-type silicon.” In the next sentence, interchange the words “green” and “yellow.”

Four lines up from the bottom, replace “100A” with 104A.”

Page 224. In the second line of the second paragraph, replace “Fig. A-3” with “Fig. A-6.”

Page 226. Two lines down, delete the word “exactly.”

Page 264. In the page numbers for varistor in the Index, replace “165-168” with “165-169.”

Rear Cover. Three lines up from the bottom, replace “Smithsonians” with “Smithsonian’s.”

### Modified Figures

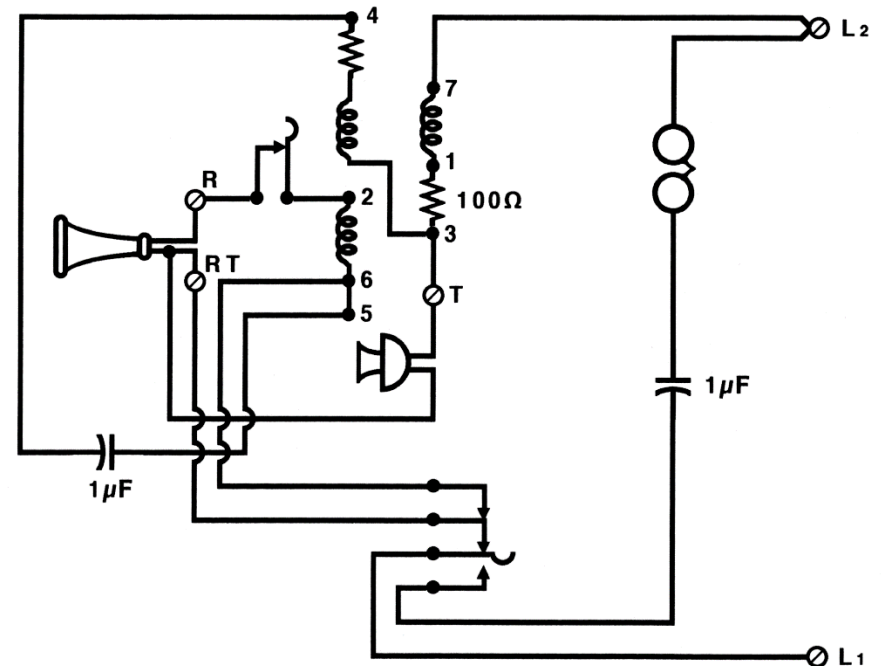


Fig. 17-14 Corrected

- Page 70. In Table 12-1, replace “5-bar” with “3-bar” in the two entries for the 50A magneto.
- Page 74. Six lines down, replace “Fig. 12-11” with “Fig. 12-14.”
- Page 94. In the second line, replace “1964” with “1962,” and in the next line replace “five” with “three.”
- Page 121. In the section heading, replace the last word “Dial” with “Dials.”
- Page 137. In Fig. 17-14, interchange the labels L1 and L2 (modified figure provided below).
- Page 140. In Fig. 17-18, interchange the labels 8 and 6 (modified figure provided below).
- Page 151. In Fig. 18-7, add two terminal labels, L1 and GND (modified figure provided below).
- Page 153. Seven lines down, replace “rear of the phone” with “front of the phone.”
- Page 154. In Fig. 18-9 at terminal Q, replace the symbol for a screw terminal with the symbol for a solder terminal (modified figure provided below).
- Page 160. In Table 18-4, replace “2,500” with “1,250” as the total impedance in ohms.
- In Fig. 18-19, improved terminal markings are included in the Magneto Box (modified figure provided below).
- Page 168. Near the beginning of the third paragraph, replace “lower-resistance No. 312E” with “lower-voltage No. 312E.”

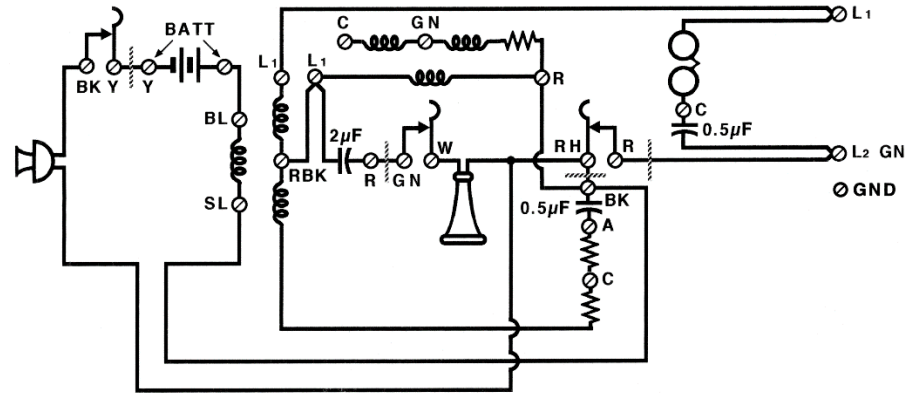


Fig. 18-7 Corrected

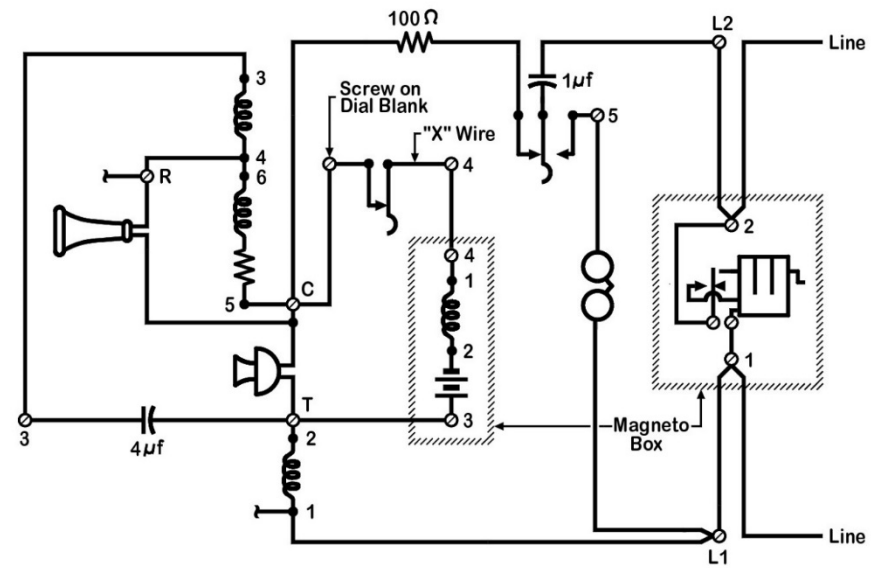


Fig. 18-19 Improved

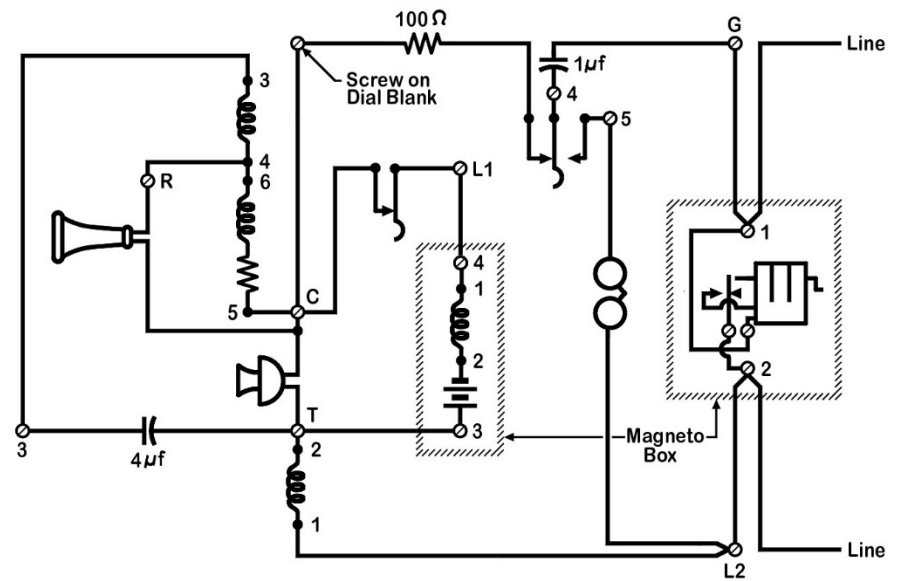


Fig. 22-7 Improved