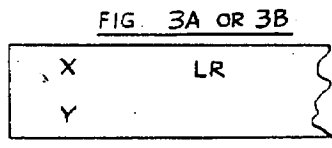
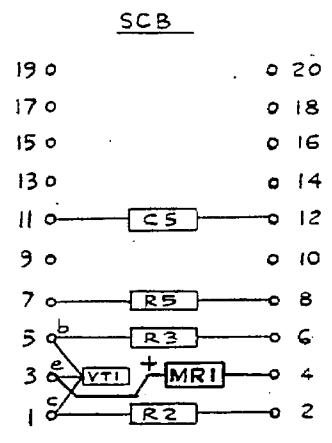
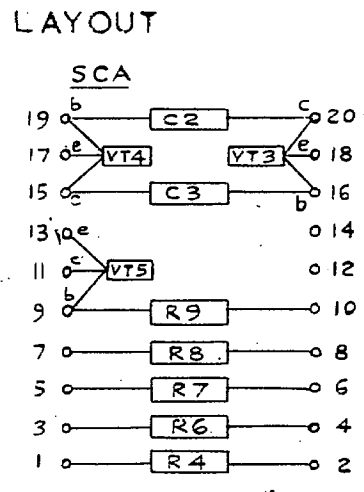
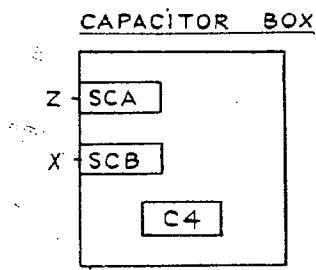
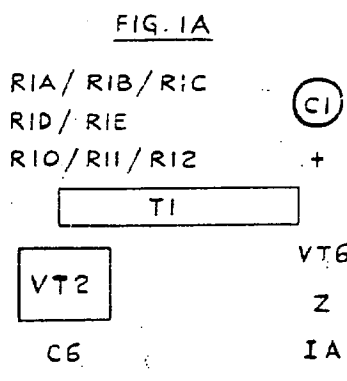


RELAY CODES & COMPONENTS LIST GBW 19110
GRADUATED HOWLER
(GEOTHERMAL AREAS)

RELAY	B.C.C. CODE	DIAG. FIG.	NOTES	COMPT. DESIGN	B.P.O. CODE	NOTES
Z	40484P	IA		RIARIB, RIC,RID	P.O. N° 9	
IA	40485	IA		RIE		
X	6001A	3A,3B		R2,R3,R4, R5,R6,R7	P.O. N° 16 FD.	
Y	12183 Pd	3A,3B		R8,R9		
LR	40584 Pd	3A,3B		R10,R11,R12	P.O. N° 9	
				C1		HUNTS TYPE KA 10BCT
				C2	P.O. 8017B 0.1μF	
				C3	P.O. 8017B 0.22μF	
				C4		PLESSEY 'HYPERLYTIC' CE 22090
				C5	P.O. 8017B 0.01μF	
				C6		PLESSEY 'HYPERLYTIC' CE 22129/12
				VT1	ACY 17	
				VT2	OC28	WITH HEAT SINK 30 SQ. INS. SURFACE AREA IN 10S.W.G ALUMINIUM
				VT3,VT4 VT5	ACY 20	
				VT6	OC35	
				TI		E.T. CODE N23841 A1
				R1,R2	P.O. N° 9	FIGS. 3A & 3B
				C1,C2	N° 102C	
				KRT		FIG. 1B E.T. CODE N24528
				MRI		DA 000 OR EQUIV.

NOTES - A SPECIAL FACTORS OF SAFETY B SPECIAL ADJUSTMENTS C CCT POINTS OR MODIFICATIONS



5 Centimetres

ISSUE 21-11-67

ORIGINATED BY	ET
DATE	21-11-67
SIGNED FOR COMMITTEE	<i>[Signature]</i>

74 (66998)

89-5-27