

RELAY CODES & COMPONENTS LIST GBW16930

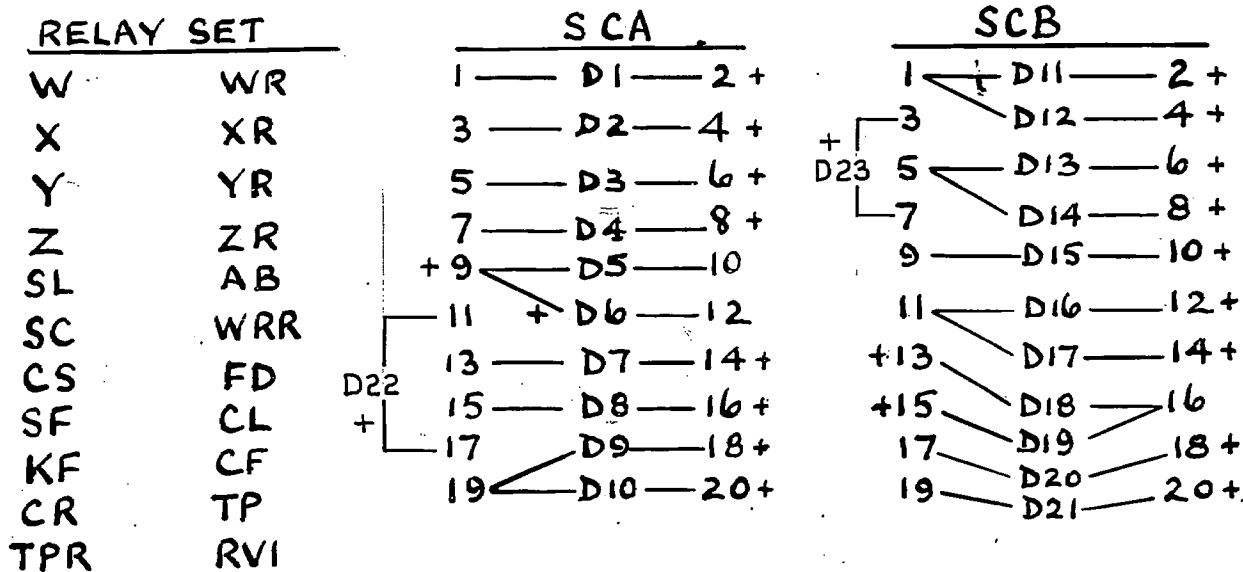
SENDER CONVERSION

INTERNATIONAL EXCHANGE

RELAY	B.C.C. CODE	DIAG FIG.	NOTES	COMP. DESIGNATION	B.P.O. CODE	NOTES
W	HSD721		B	RIA-RIB	9	
				R2	12	
X	HSD741		B	R3	9	
				R4	9	
Y	HSD721		B	R5	12	
Z	HSD741		B	R6A-6B	9	
				(RXI-7)	2	
SL	HSD759		B	CI	L684009B	(ATE CODE) PLESSEY CE1294
				RVI	32A 150KΩ	
SC	HSD127		B	DI-23		DIODE DA000
CS	HSD127		B	TJ	2:1E/4	
SF	72504					
KF	HSD117		B			
CR	HSD117		B			
TPR	73522					
WR	HSD117		B			
XR	HSD117		B			
YR	HSD117		B			
ZR	HSD117		B			
AB	HSD759		B			

NOTES:- A SPECIAL FACTORS OF SAFETY B SPECIAL ADJUSTMENTS
C. CIRCUIT POINTS OR MODIFICATIONS

LAYOUT



NZPO

(68450) 21-5-75 JHE

ISSUE 1 TPR RELAY WAS 40236	ISSUE 2. 28-10-68 RI CHANGED TO RIA&B R6 CHANGED TO R6A&B	ISSUE 3. 5-1-73 D22-D23 ADDED TO LAYOUT	ISSUE 4. 17-11-74
-----------------------------------	--	---	----------------------

ORIGINATED BY RK	A.T.&E. Co
DATE	15.10.68
SIGNED FOR COMMITTEE	A. Aston

