

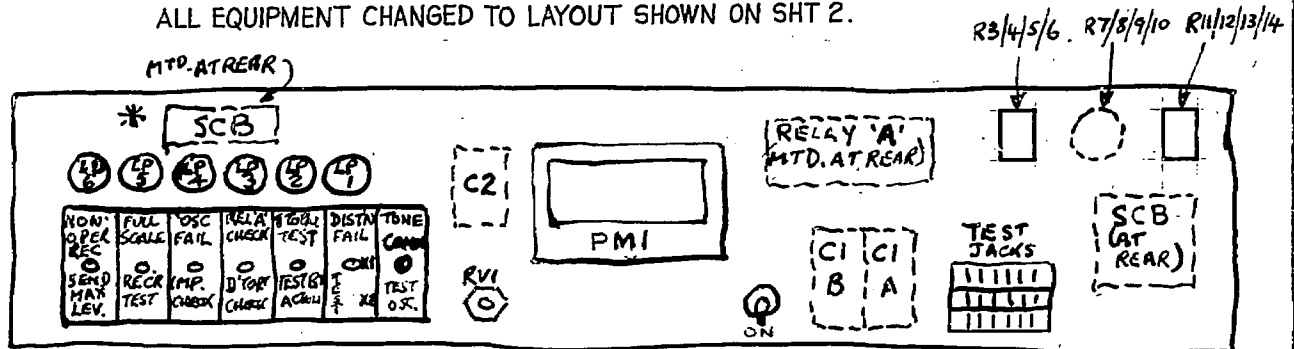
RELAY CODES & COMPONENTS LIST, **GBW 16820**
TEST CIRCUIT FOR RECEIVERS AND OSCILLATORS. N.Z.S.S.
AC N^o. 2T&3T. - U.A.X.N.Z. 13 "SI" T RACK.

Centimetres

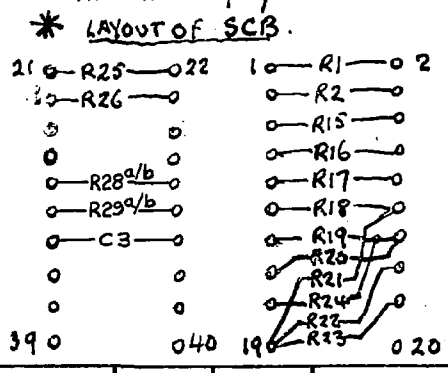
RELAY	BCC CODE	DIAG. FIG	NOTES	COMP. DESIGNATION	BPO CODE	NOTES
A	5616P		B	R1	300 Ω	TR4 - 5% 5W. ELF. THOSIL. TIN OXIDE
				R2	300 Ω	TR4 - 5%
				R3 a/b		PARALLEL. ER 855D ER 855E
				R4		ER 853A
				R5		UR1 ER 853A
				R6 a/b		PARALLEL. ER 855D ER 855E
				R7	15A	3500 Ω
				R8	15A	105 Ω
				R9	15A	UR2 3500 Ω
				R10	15A	105 Ω
				R11		ER 854C
				R12		ER 853K
				R13		UR3 ER 853K
				R14		ER 854C
				R15	35B	1.15K
				R16	35B	1.15K
				R17	35B	1.15K
				R18		TR4 5% . 30K
				R19	35B	1.15K
				R20	35B	1.15K
				R21		TR4 - 5% . 36K
				R22		TR4 - 5% . 600 Ω
				R23		" " 6K
				R24	35B	1.15K
				R25		TR4 - 5% 600 Ω
				R26		TR4 - 5% . 600 Ω

NOTES: - A SPECIAL FACTORS OF SAFETY. B SPECIAL ADJUSTMENTS C CIRCUIT POINTS OR MODIFICATIONS

ORIGINAL LAYOUT
 ALL EQUIPMENT CHANGED TO LAYOUT SHOWN ON SHT 2.



CAPACITORS C1A/1B/2 MTD. AT REAR.



NZPO

ISSUE 1	NOTE REGARDING LAYOUT ADDED. ISSUE 2 27-10-70	SCB LAYOUT REVISED. ISSUE 3 27-7-71	RESISTANCE VALUES ADDED. ISSUE 4 2-10-74	KDC ADDED. RESIST. VALUES & LAYOUT CHANGED. ISS. 4A 26-8-76	ORIGINATED BY	A.T.&E.CO.
					DATE	20-11-69.
					SIGNED FOR COMMITTEE	<i>[Signature]</i>

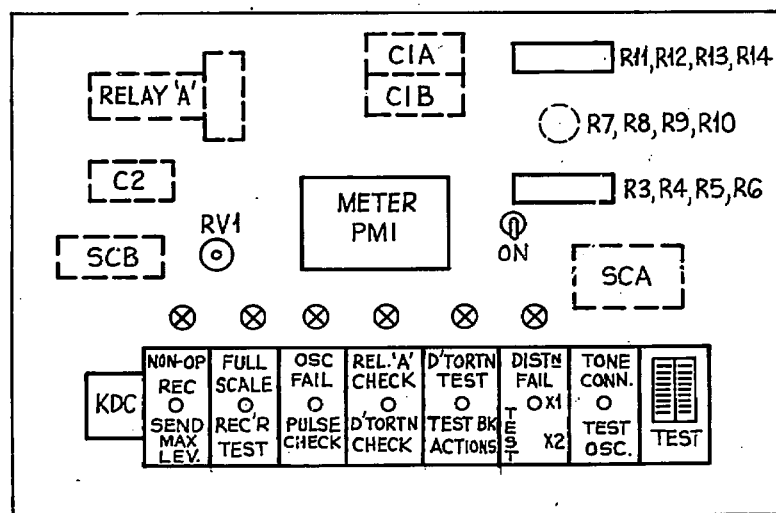
RELAY CODES & COMPONENTS LIST, **GBW 16820**
TEST CIRCUIT FOR RECEIVERS AND OSCILLATORS N.Z. S.S. A.C. N^os 2T & 3T-
U.A.X. N.Z. 13 "SI" T-RACK.

Centimetres

RELAY	BCC CODE	DIAG. FIG.	NOTES	COMPT. DESIGNATION	BPO CODE	NOTES
				R27	620- Ω	TR4-5% ELECTROSIL TIN OXIDE.
				R2Ba/b		100- Ω X 100- Ω ER413.
				C1A	102c	
				C1B	103c.	
				C2		250mf. 50V.W. ELECTROLYTIC.
				C3	101	1 μ F
				K0+KTC	212	
				KDT+KTB	212	
				K0F+KIT	212	
				..S+KRT	212	
				KRN+KSF	300	
				KCA+KD	212	
				KDF+KTX		AK8653-ATE. CODE.
				KDC		K222B (BPO 1000 TYPE)
				PMI		PULSE RATIO METER - 0-100 μ A. FSD. SIFAM M34.
				SCA	N ^o 141.	
				SCB	N ^o 176A	
				RV1		0-10K POTENTIOMETER.
				CORD & PLUGS.		L541577/001 ATE. CODE.
				TL1		L541546A ATE. CODE.
				R29a/b		100- Ω X 100- Ω ER413

NOTES: - A SPECIAL FACTORS OF SAFETY. B SPECIAL ADJUSTMENTS. C CIRCUIT POINTS OR MODIFICATIONS

LAYOUT



ISSUE	APP	ORIGINATED BY	A.T.&E.O.
EQUIPMENT LAYOUT ADDED ISS. 2 27-10-70		DATE	20-11-69
ADVANCE IN ISS. ONLY. NO AMP. ISS. 3 27-7-71		SIGNED FOR COMMITTEE	<i>AR</i>
ON LAYOUT SCA WAS SCB METER PM WAS RM. ISS. 4 2-10-74			
NEW COMPONENTS ADDED ISS. 4A 26-8-76			