

RELAY CODES & COMPONENTS LIST, **GBW 16730**
 TRANSISTOR DELAY TIMER FOR USE WITH I.V.F. LINE CCTS.
 N.Z.S.S.A.C. Nos 2T & 3T

5 Centimetres

10

15

20

25

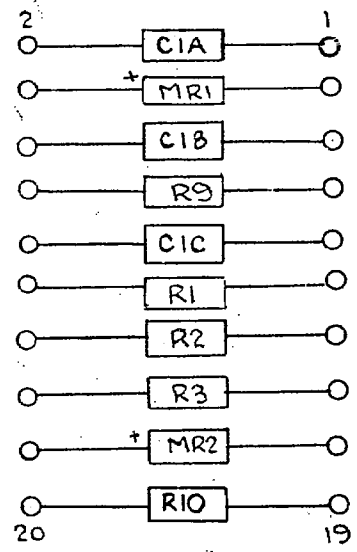
RELAY	B.C.C. CODE	DIAG. FIG.	NOTES	COMPT. DESIGNATION	BPO CODE	NOTES
				R1-3	15GD	CARBON
				R4	40	-
				R5	R02B	METAL OXIDE
				R6	15GF	CARBON
				R7	40A	-
				R8	15FF	CARBON
				R9	15GD	"
				R10	15GD	"
				MRI&2	10131	TEXAS INSTRUMENT CODE
				CIA-C	8017B	(250V, 2-2 10%)
				VT1&2	CV 9507(OR EQUIV)	MULLARD CODE
				VT3	ACY 20	" "
				SCA	STRIP CONN. 255B. (A.E.I. CODE)	MOUNTING PLATE (1- RELAY SPACE)
					COMPLETED	ASSEMBLY CODE
				TOT1	A.E.I. UNIT	ELECTRONIC 22A

NO RELAYS

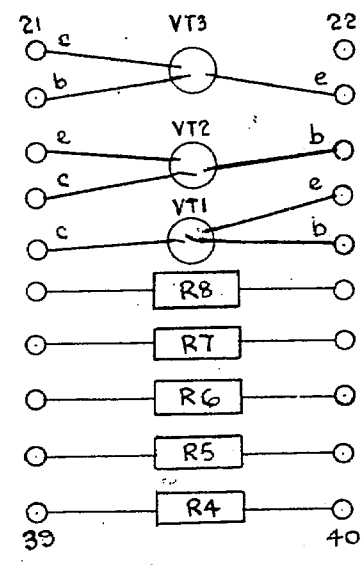
NOTES:- A.SPECIAL FACTORS OF SAFETY. B.SPECIAL ADJUSTMENTS. C.CCT. POINTS OR MODIFICATIONS

LAYOUT.

SCA



SIDE 1



SIDE 2

VT1-2 CODE WAS BCZ II (88122) (99155)	ISSUE 1 7-9-64 TDT1 WAS TSDTI.	ISSUE 2 20-10-64 RES R10 WAS NOT SHOWN. TITLE AMD. (53390)	ISSUE 3 2-3-66 CAPACITORS CIA-CIC WERE GB 108A	ISSUE 4 CAPACITORS CIA-CIC WERE GB 216A (39543)	ISSUE 5 28-12-70 CIA-CIC WERE M312 (39922)	ISS. G 19/10/71 N.Z.P.O 21.6.65 (94297) B.G.	ORIGINATED BY A.E.I.
							DATE 7/9/64
							SIGNED FOR COMMITTEE A.S.H.