

RELAY CODES & COMPONENTS LIST GBW 16100

SIZE **F**

SHEET **1** OF **3**

NIGHT SWITCHING ADAPTER AND CONTROL CIRCUITS TO 1 V F TRUNKS

RELAY	B.C.C. CODE	DIAG. FIG.	NOTES	COMPT. DESIGN	B.P.O. CODE	NOTES
I	2022	2A		R1,2,3	Nº 9	
PC	40252	"		R9,10,11	Nº 12	
CD	70619	"		RX1	NON LINEAR Nº 2	ACROSS TAGS a&e OF RELAY /
D	40253	"		C1		ERIE 21107-100-0382-0A-0160 16V-20% +50% OR EQUIV.
IL	40254	"		C2	Nº 102 C	
S	40255	"		C3	102 C	
PD	40256	"		C4	102 C	
DA	40381	"		C5	101	
TA	HS711	"	BI	R12	Nº 6	
CB	11355	"		MR1		OAZ 205
ALA	40264	"	BI	MR2		DD 3
RP	40265	"		VT1		OC 77
K	40341	"		R4	16 GD	
A	40267P	"		R5	16 FD	
CO	40343	"		R6	16 FD	
ALB	20907	"		R7	16 GD	
				R8	16 GD	
				MR3	4/6AZ	
				R1	Nº 12	FIGS. 1B & 1C
				JF	2/10/2 AN	FIG. 2B
				CI&R1	Nº 101 + Nº 6	FIG. 2C
				TF	2/44 AN	FIG. 2C
				C2&R2	N101 + Nº 6	FIG. 3A
				KNS	68	FIG. 3B
				KNS	207	FIG. 3C
				KNS	73	FIG. 3C
				KR	72	FIG. 4

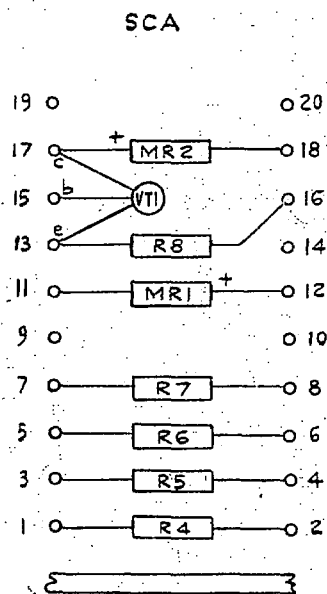
NOTES - A SPECIAL FACTORS OF SAFETY B SPECIAL ADJUSTMENTS C CCT POINTS OR MODIFICATIONS

BI TEST & R.A. FIGURES

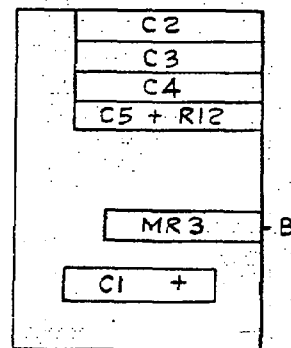
LAYOUT

FIG. 2A.

RI/R2/R3	SCA
R9/R10/R11	FT
+KB	ALB +
ALA	TA
CD	A
IL	CO
KA	CB
PC	D
RP	ZP
SS	S
TT	SP
FF	ST
+DA	PD +
GD	AL
K	I



CAPACITOR BOX



ALSO SEE SHEETS 2-3 & 3-3

ISSUE 2-11-61
 1. K WAS 40266
 CO WAS 40268
 2. 9-7-62
 DA WAS 40257
 ALB WAS 40269
 3. 8-11-62
 NOTE RE CI REVISED
 NOTE ADDED BELOW
 LAYOUT (74970)
 4. 27-3-63
 CI WAS PLESSEY
 1230/1 OR
 EQUIV (30360)
 5. 22-3-72

ORIGINATED BY **ET**
 DATE **8-11-62**
 SIGNED FOR COMMITTEE **XX**

Centimetres 0 5 10 15 20 25 30

19-8-63 (74862) B.L.

RELAY CODES & COMPONENTS LIST GBW 16100

SIZE **F**

SHEET **2 OF 3**

NIGHT SWITCHING ADAPTER AND CONTROL CIRCUITS TO 1 VF TRUNKS

RELAY	B.C.C. CODE	DIAG. FIG.	NOTES	COMPT. DESIGN	B.P.O. CODE	NOTES
FT	HS501	2A	BI			
KA	40270	2A				
TT	11368	2A				
SS	74903	2A				
SP	12847	2A				
ZP	40258	2A				
KB	11965	2A				
GD	40259P	2A				
ST	40260P	2A				
AL	40261P	2A				
BR	21484	1A				
K	40263	1A				
BR	11564	1B				
K	40263	1B				
CB	21484	1C				

NOTES - A SPECIAL FACTORS OF SAFETY. B SPECIAL ADJUSTMENTS. C PCT POINTS OR MODIFICATIONS
BI. TEST & R.A. FIGURES LAYOUT

FIG. 1A

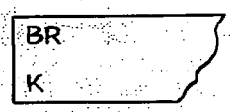


FIG. 1B

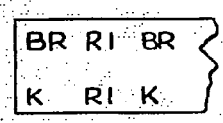
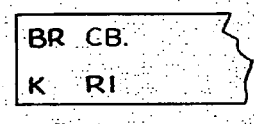


FIG. 1C



N.Z.P.O.
19-8-63 (74862) a.c.

1. ISSUE 2-11-61	ORIGINATED BY ET DATE 8-11-62 SIGNED FOR COMMITTEE
2. KB WAS 11512	
3. 2-1-63 LAYOUTS ADDED (74970)	
4. 27-3-63 ISS. ADV. ONLY (30360)	
5. 22-3-72	

5 Centimetres

10

15

20

25

30

RELAY CODES & COMPONENTS LIST **GBW 16100**

SIZE **F**

SHEET
3 OF 3

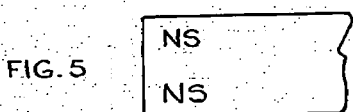
NIGHT SWITCHING

ADAPTER AND CONTROL CIRCUITS

TO I Y F TRUNKS

RELAY	B.C.C. CODE	DIAG. FIG.	NOTES	COMPT. DESIGN.	B.P.O. CODE	NOTES
BR	21484	IC				
K	40263	IC				
NS	40271	5				
FF	40342	2A				

NOTES - A SPECIAL FACTORS OF SAFETY. B SPECIAL ADJUSTMENTS. C CCT POINTS OR MODIFICATIONS LAYOUT.



19-8-63 (74562) A.C.

1. ISSUE 2-11-61	ORIGINATED BY ET
2. FF ADDED 9-7-62 LAYOUT ADDED (74970)	
3. 27-3-63 NO CHANGE ISSUE ADVANCED ONLY (69517) & 66	
ISSUE A: 22-11-63 ISS. ADV. ONLY (30360)	
5. 22-3-72 D.L.M	

ORIGINATED BY	ET
DATE	8-11-61
SIGNED FOR COMMITTEE	<i>ET</i>

Centimetres 0 5 10 15 20 25 30