

RELAY CODES & COMPONENTS LIST GBW 11340

INTERWORKING REGISTER

TYPE RS.4

7A ROTARY TO STEP BY STEP

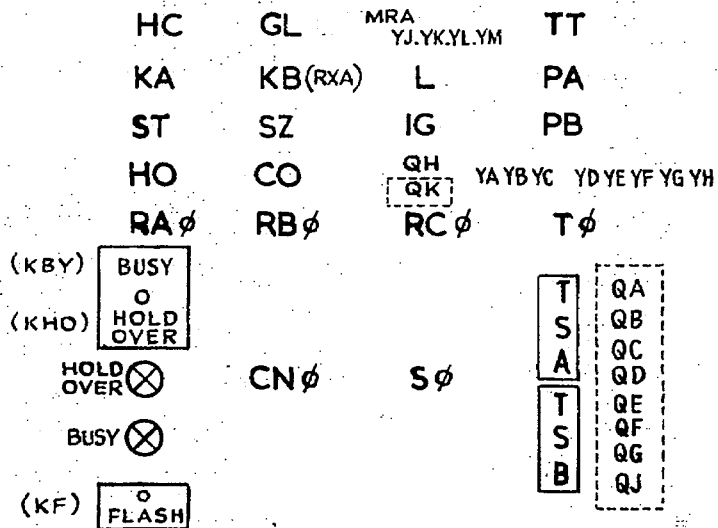
RELAY	BCC CODE	DIAG. FIG.	NOTES	COMPT. DESIGN	B.P.O. CODE	NOTES
CO	4626			PLUGSTRIP	3201	
				MRA	2N/12A	
GL	4621			YA, YB	9	
				YC - YM	12	
HC	6896		C1	RXA	NON - LINEAR No 2	ON KB
HO	1233			QA	119	
				QB - QG	101	+ RES. No 6
IG	4625			QH	102	
				QJ	100	+ RES. No 6
KA	6805			QK		
KB	10084			KBY+KHO	12	
				KF	72	
L	4622			TSA } TSB }	121	
PA	HS714 *		C2 BI	RA, RB	2/41AN	
				RC, T	2/33AN	
PB	HS714 *		BI	CN	2/89AN	
				S		ERICSSON CODE N8185A4
ST	4623					
SZ	4624					
TT	HS714 *		BI			

* HS 510 IS USED AT SOME EXCHANGES.

NOTES - A SPECIAL FACTORS OF SAFETY. B SPECIAL ADJUSTMENTS. C CCT POINTS OR MODIFICATIONS

LAYOUT

- C1 SPRING 2 UNWIRED
- C2 " 5 "
- BI TEST & R.A. FIGURES



∅ = UNISELECTORS.

NOTE: AT SOME EXCHANGES THE EQPT. SHOWN INSIDE DOTTED LINES IS FITTED IN CONDENSER BOX AT REAR.

ISSUE 26-3-60

ORIGINATED BY	ET
DATE	25-1-60
SIGNED FOR COMMITTEE	