

**I NOTES-**  
 1 THIS APPLIES TO N° 10 ISSUE CARDS ONLY

**NOTES**  
 ALL RESISTORS ARE 1/4W 5% UNLESS OTHERWISE INDICATED  
 ⊖ REPRESENTS COMMON NEGATIVE  
 † FACTORY SELECTED VALUE  
 \* SEE REVISION C  
 IN4004 MAY BE SUBSTITUTED WITH IN4005, IN4006 & IN4007

**CHANGES**

V7 REV C AND V10	R80 & R85 DELETED REPLACED BY R89 & R90 R70 CHANGED FROM 27K TO 22K
ALL	C21 (47μ) DELETED (U7 PIN 6)
ALL	V2 DELETED, REPLACED BY V3
V6 REV B	V1 REPLACED BY S10V-S07K60
ALL	DAUGHTER BOARD ADDED. R4.3 DELETED REPLACED BY R1 OF DAUGHTER BOARD

ISS	DATE	ORDER	APPD	CHANGE
-	12.11.84	54401	CRF	INCRP BY NZPO
A	15.7.85	220630	GCG	ADDITION OF CAPACITOR ACROSS C9 & REPLACE C21 WITH 22nf CAPACITOR

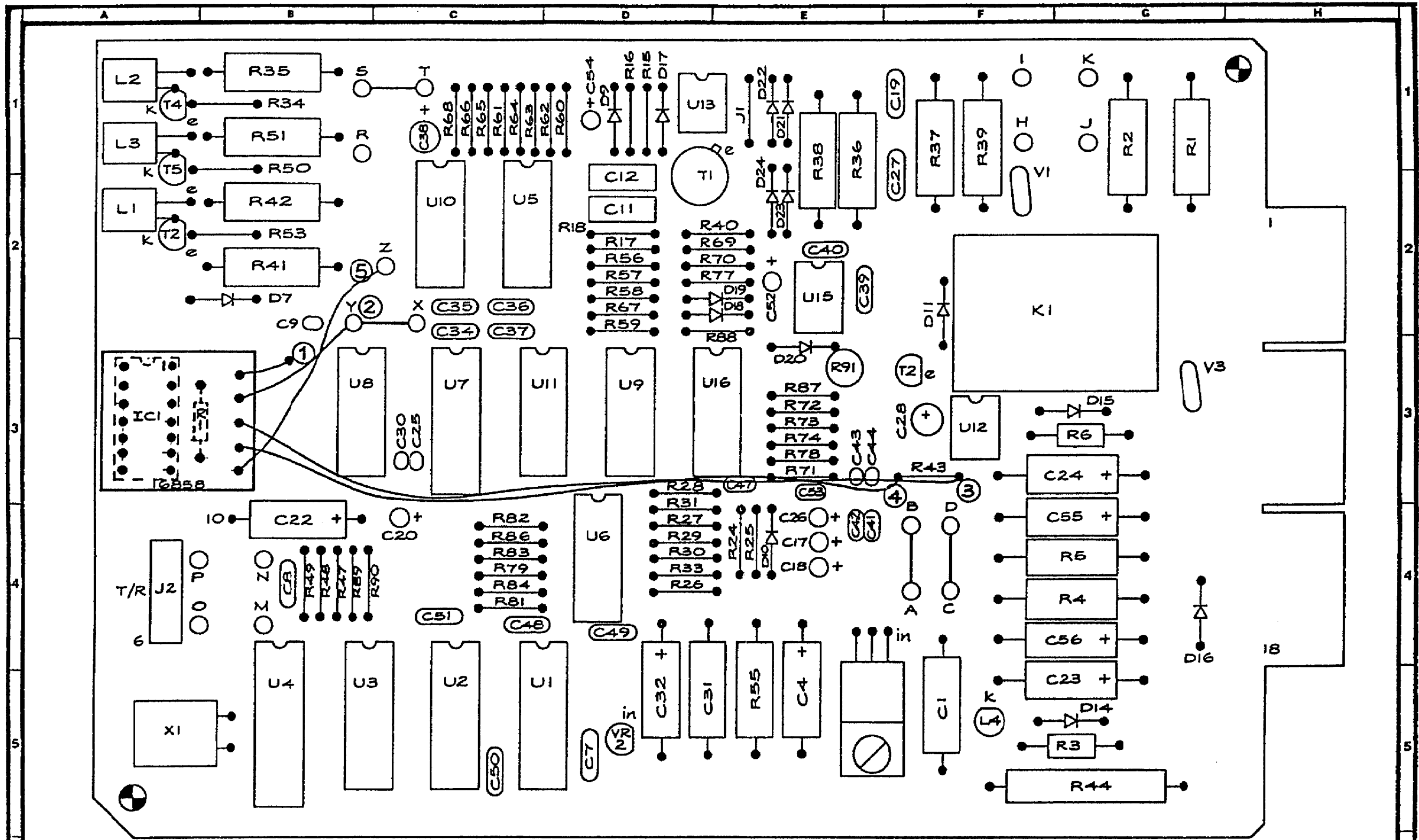
**STRAPPING OPTION CHART**

	A	B	C	D	H	I	J	K	M	N	O	P	R	S	T	X	Y	Z
STEP BY STEP	0	0	0	0	0	0	0	0	0	0	0	0	0	0	0	0	0	0
CROSSBAR	0	0	0	0	0	0	0	0	0	0	0	0	0	0	0	0	0	0
10 PPS																		
20 PPS																		
MS																		
M/S 3 2																		
STROBE REFRESH																		
NO REFRESH																		

EC. S.T.C. TELECOM N° 45195 SHT 1/1 A2

ISS	CH No	SIG	DATE	ISS	CH No	SIG	DATE	ISS	CH No	SIG	DATE
DRN	L.S.B	TITLE	SCHEMATIC DIAGRAM FOR DTMF TO LD CONVERTER								
CKD	A.M.I	DWG No	16519-EC								
APP	T.I		SS (W)								

**STC**  
 NZ

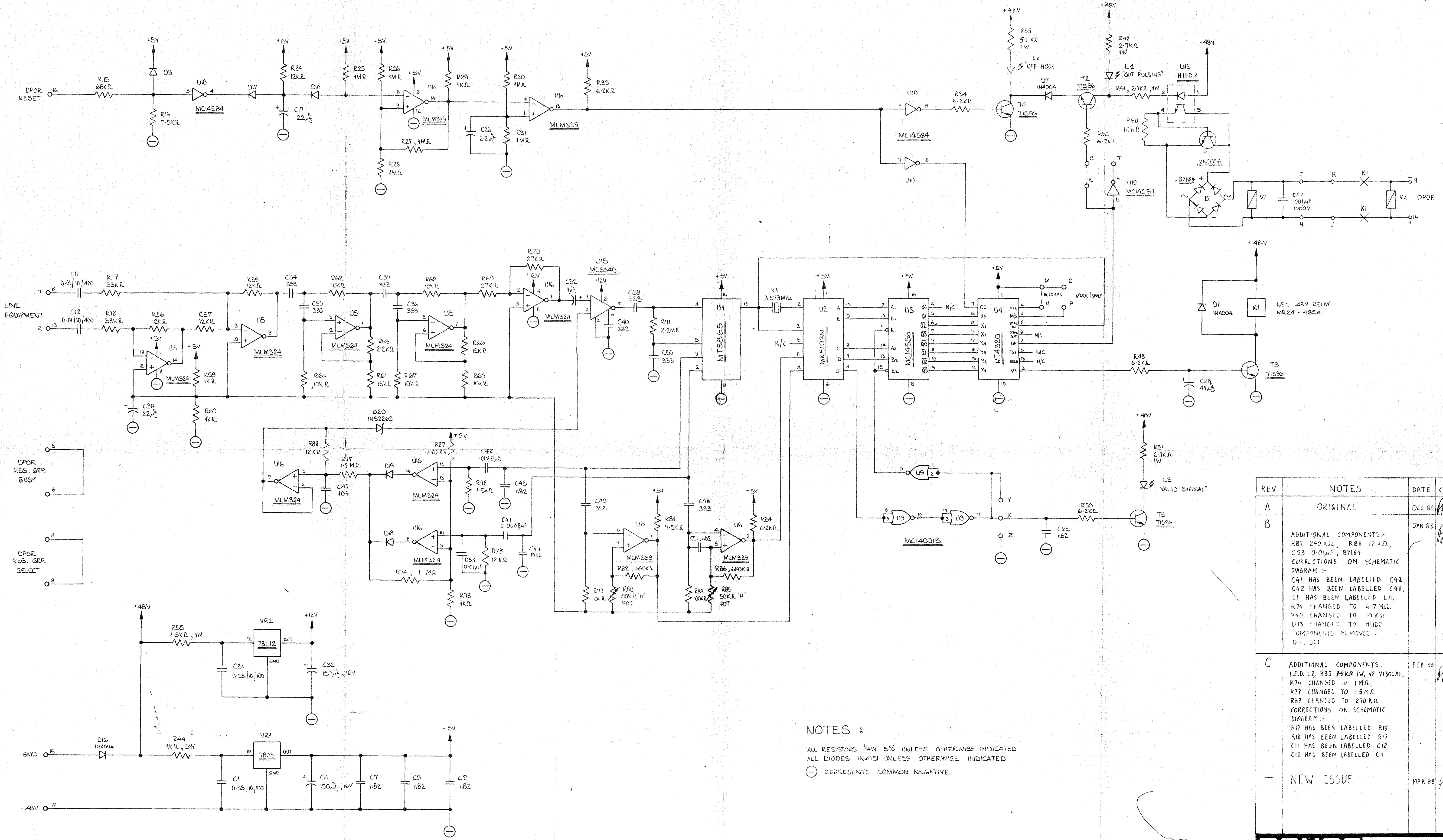


**NOTE**

POINT ① IS POSITIONED IN THE HOLE THAT WOULD BE PIN 16 IF INTEGRATED CIRCUIT WAS FITTED (U14).

ISS	CH No	SIG	DATE	ISS	CH No	SIG	DATE	ISS	CH No	SIG	DATE
DRN	L. S. B.	TITLE LH71 DAUGHTER BOARD INSTALLATION DETAIL									
CKD	S. J. C.	DWG NO 16860 EM SHT. 2 OF 2									
APP	A. N. I.										

**STC**  
**NZ**



NOTES :

ALL RESISTORS 1/4W 5% UNLESS OTHERWISE INDICATED  
 ALL DIODES IN4148 UNLESS OTHERWISE INDICATED  
 ⊖ REPRESENTS COMMON NEGATIVE

REV	NOTES	DATE	CHKD
A	ORIGINAL	DEC 82	
B	ADDITIONAL COMPONENTS:- R87 240KΩ, R88 12KΩ, C53 0.01μF, B7164 CORRECTIONS ON SCHEMATIC DIAGRAM:- C41 HAS BEEN LABELLED C42, C42 HAS BEEN LABELLED C41, L1 HAS BEEN LABELLED L4, R74 HAS CHANGED TO 4.7MΩ, R40 CHANGED TO 10KΩ U13 CHANGED TO HIID2. COMPONENTS REMOVED:- D11, U11	JAN 83	
C	ADDITIONAL COMPONENTS:- L.E.D. L2, R35 15KΩ 1W, V2 V130LA1, R74 CHANGED TO 1MΩ, R77 CHANGED TO 15MΩ R87 CHANGED TO 270KΩ CORRECTIONS ON SCHEMATIC DIAGRAM:- R17 HAS BEEN LABELLED R18 R18 HAS BEEN LABELLED R17 C11 HAS BEEN LABELLED C12 C12 HAS BEEN LABELLED C11	FEB 83	
-	NEW ISSUE	MAR 83	

**PAMCO** ELECTRONICS INC.  
 GEORGETOWN CANADA

USED ON: **P7800-06**  
 DESCRIPTION: **SCHEMATIC DIAGRAM FOR DTMF TO LD CONVERTER (CROSSBAR ONLY)**

DATE: **FEB 1983**  
 DRAWN: **[Signature]** SCALE: **[Blank]** DRWG NO: **PE-7000-3** REV: **[Blank]**

ARTWORK NO. — 7800-06  
 COMPONENT DIA. — PE-7000-4



