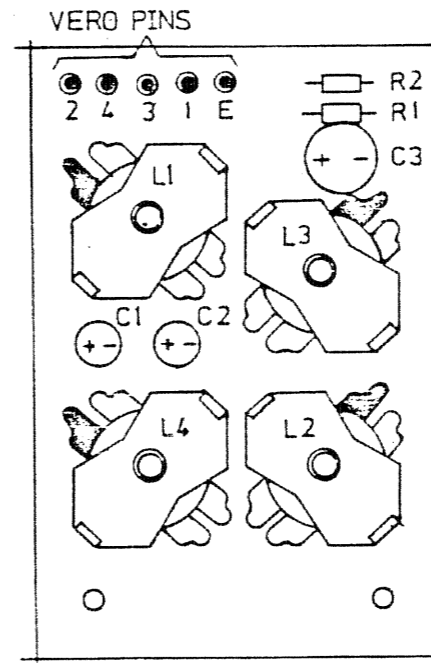


PCB TRACK LAYOUT



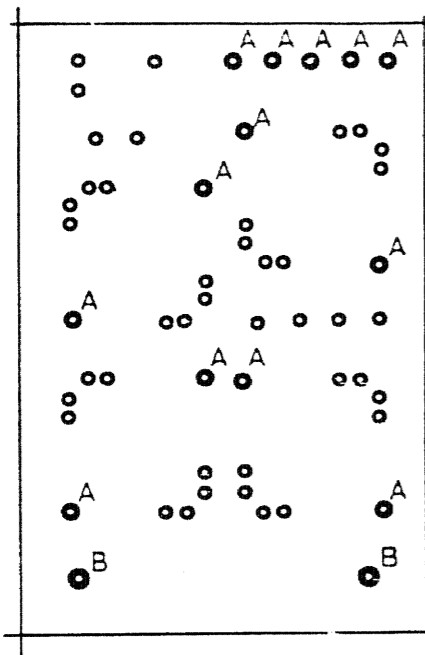
COMPONENT LAYOUT

COMPONENT LIST

- R1 - 2K7 1/4W
- R2 - 47K 1/4W
- C1 - 4U7 50V
- C2 - 10U 50V
- C3 - 22U 50V

- L1 - 4.5 mH 134T 0.212mm
- L2 - 6.62mH 163T 0.212mm
- L3 - 2.12mH 92T 0.212mm
- L4 - 3.73mH 122T 0.212mm

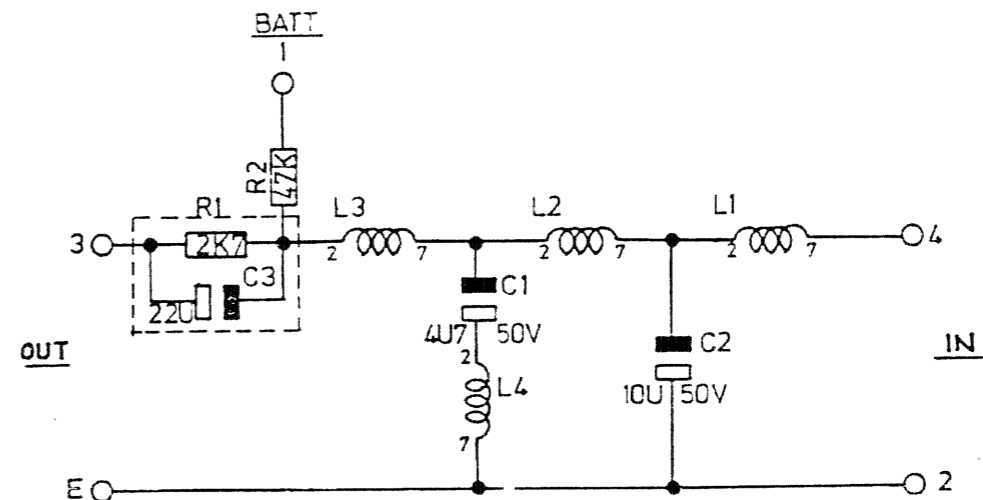
- L1,L2,L3,L4 - CORES: RM8 A 250-52B H5A
- BOBBIN: BRM8-718D
- CLIPS: FRM8-A



HOLE DETAILS

- A - 1.3mm DIA
- B - 3.5mm DIA
- ALL OTHER HOLES 0.8mm DIA

HOLE DATA



CIRCUIT DIAGRAM

NO ARTWORK AVAILABLE FROM WN. D.O.

© This drawing is copyright and may not be reproduced in part or in whole without the expressed permission in writing of: HATFIELD INDUSTRIES LTD. or their officers.

ISS	DATE	CHANGES	ISS	DATE	CHANGES
2.	29/1/63	A Size Hole 1.3-1.3mm			
A	14.11.83	IN CORP. WAS 3/1173 SHT 2 OF 2 (90/80551)			
B	4.5.84	IN AND OUT TEXT, INTER-CHANGED.			

HATFIELD INDUSTRIES LTD. WAKEFIELD STREET
NAPIER, N.Z. P.O. BOX 561

TOLERANCES (Unless otherwise stated)	
LINEAR	mm
1 Decimal place	± 0.40
2 Decimal places	± 0.20
3 Decimal places	± 0.10
ANGLES	± 0.50°
HOLE DIAMETERS	
Up to & including 10mm	+0.10 -0
Over 10mm	+0.20 -0

FINISH
Remove burrs & sharp edges

MATERIAL
TO SPEC.

TITLE
DIAL TONE FILTER PCB & CIRCUIT DETAILS.
FIRST USED ON

DATE PRINTED	
DRN B.J.S.	SCALE
CKD BWP	APP GCG
NZPO	ORIGIN: 55 (S)
SIZE A3	EC 43335 SHT 1 of 1

Hatfield