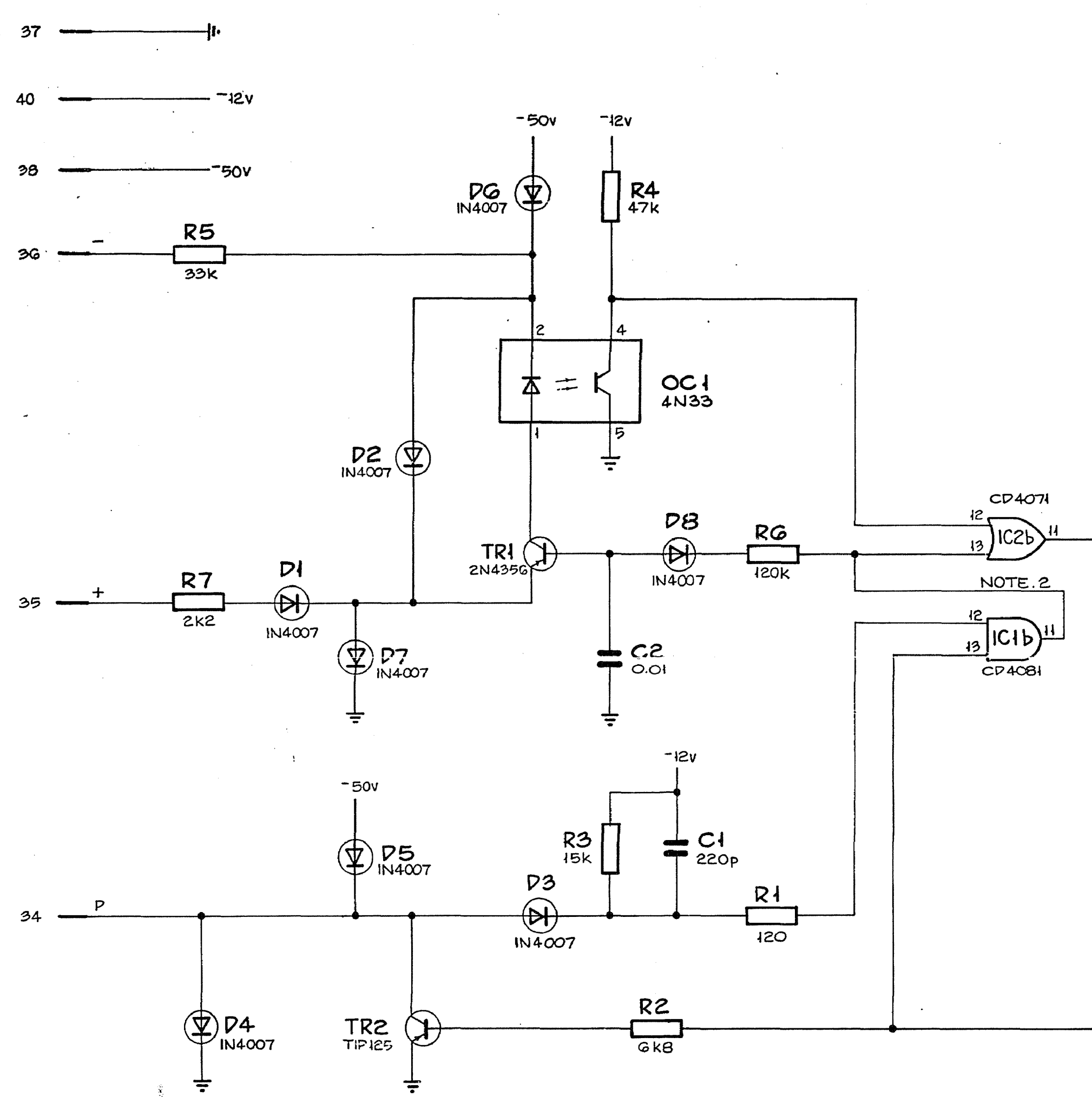


INPUTS COMMONED TO ALL 8 CIRCUITS.

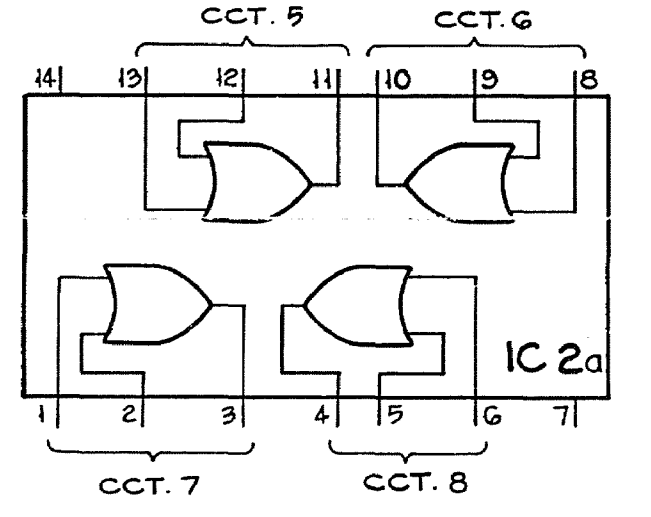
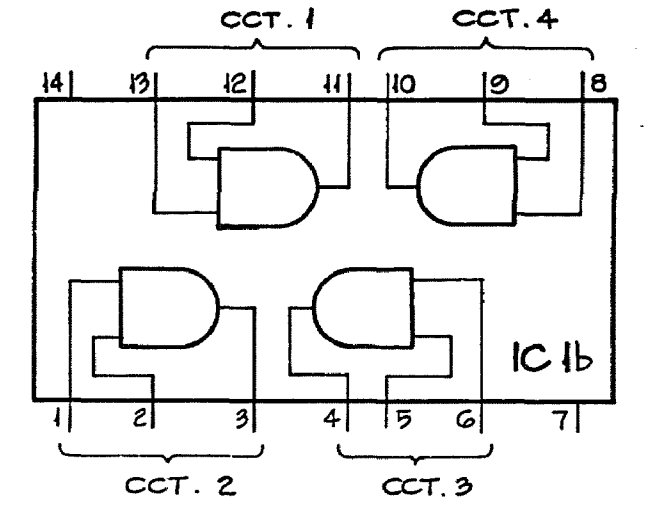
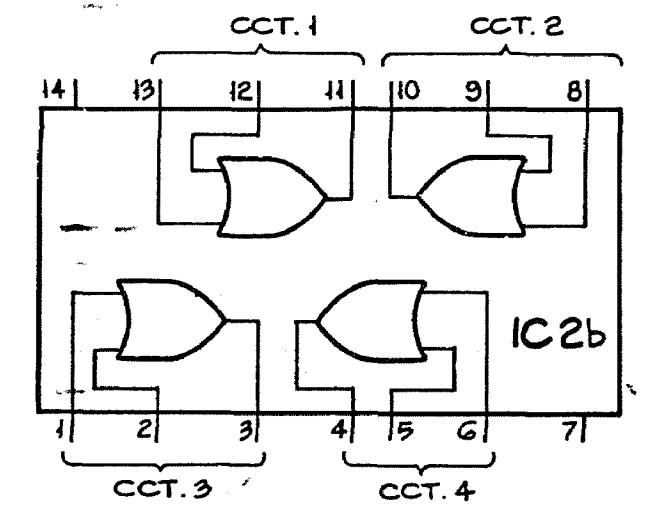


CIRCUIT 1. NOTE.1

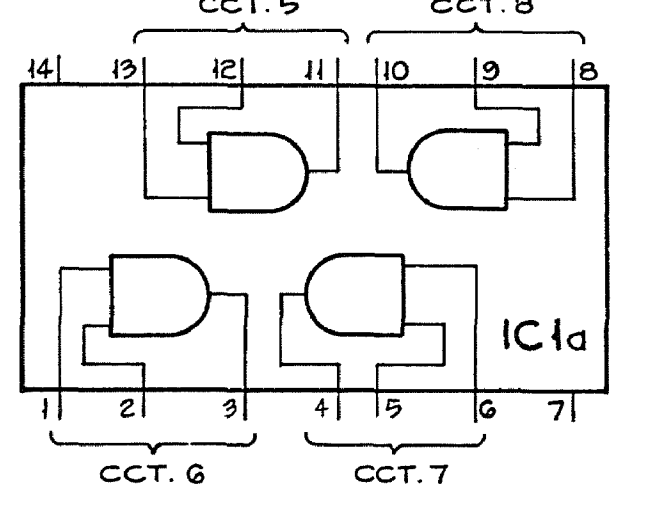
TABLE SHOWING POSITION OF EDGE CONNECTOR PINS (-, +, P) FOR EACH CIRCUIT.

CIRCUIT.	-	+	P
1	36	35	34
2	33	32	31
3	30	29	28
4	27	26	25
5	24	23	22
6	21	20	19
7	18	17	16
8	41	43	42

IC PINOUTS FOR CIRCUITS 1 TO 4



IC PINOUTS FOR CIRCUITS 5 TO 8



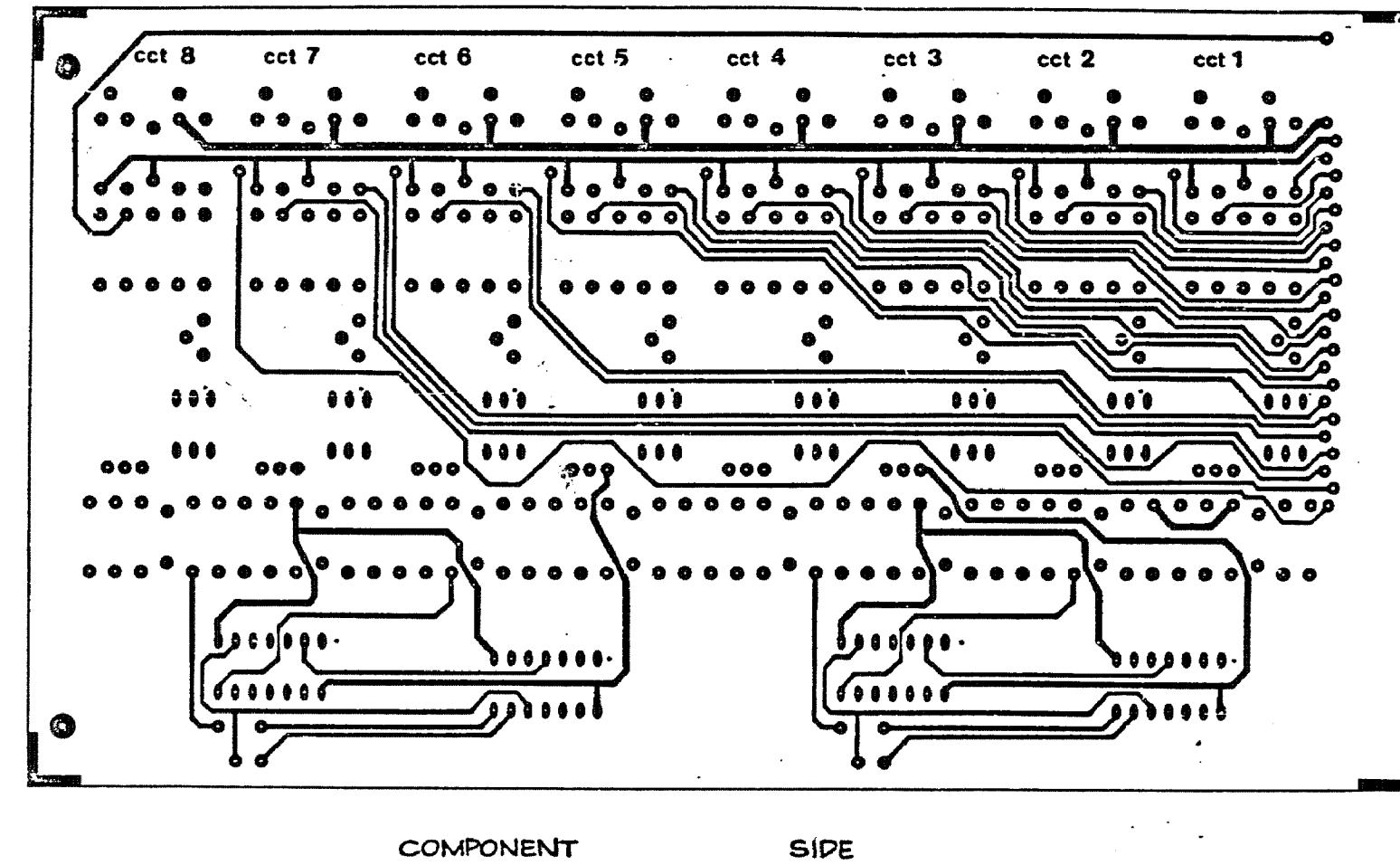
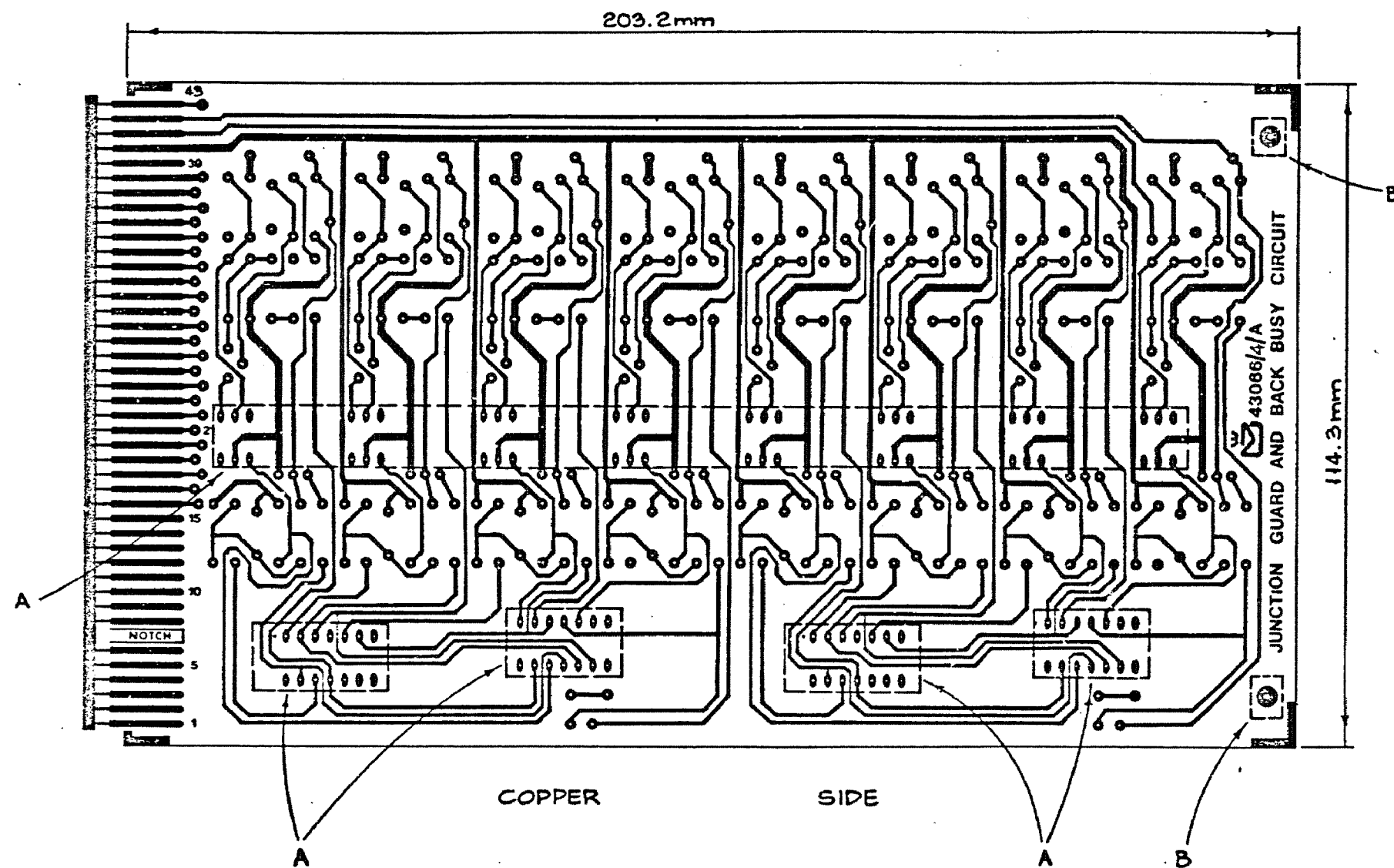
- NOTES.
- CIRCUIT REPEATED ON PCB 8 TIMES. ie cct 1, cct 2, cct 3 cct 8.
 - TWO IC'S USED FOR EVERY 4 CIRCUITS.

JUNCTION GUARD AND BACK BUSY CIRCUIT STEP TO NEC EXCHANGES.

CIRCUIT DIAGRAM

A 9.12.81 GCG		K RIL PJN 176421	
ISS DATE	CKD	APPD	DC DEL ORDER
DRN PJN	CKD GCG	ORIGIN	S.S
TCD PJN	APPD JR	STANDARD	B53939
NZPO ENGINEER IN CHIEF WELLINGTON			
SHT 1		43066	
SIZE A2			

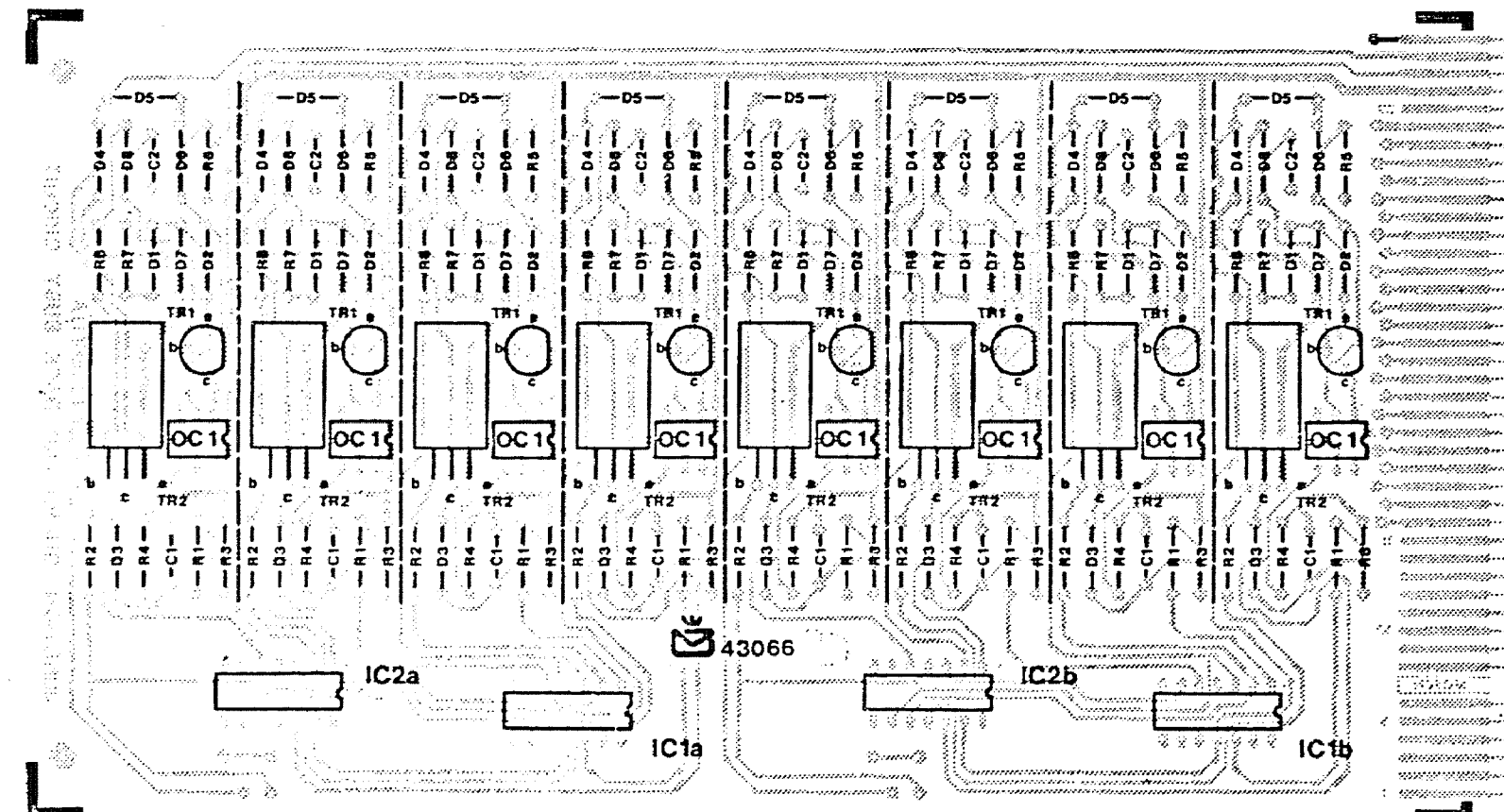
UD 236



COMPONENT LIST

COMPONENT DESIGNATION	VALUE	DEVICE TYPE	RATING TOLERANCE	QUANTITY
R1	120Ω	RESISTOR	1/4W ± 5%	8
R2	6k8	RESISTOR	1/4W ± 5%	8
R3	15k	RESISTOR	1/4W ± 5%	8
R4	47k	RESISTOR	1/4W ± 5%	8
R5	33k	RESISTOR	1/4W ± 5%	8
R6	120k	RESISTOR	1/4W ± 5%	8
R7	2k2	RESISTOR	1/4W ± 5%	8
C1	220pf	CAPACITOR CERAMIC REDCAP PC. 100V dcv		8
C2	0.01μ	CAPACITOR CERAMIC REDCAP PC. 100V dcv		8
TR1		TRANSISTOR 2N4356		8
TR2		TRANSISTOR TIP125		8
D1 to D8		DIODE IN4007		64
IC1a, IC1b		INTEGRATED CIRCUIT CD 4081		2
IC2a, IC2b		INTEGRATED CIRCUIT CD 4071		2
OC 1		OPTO COUPLER 4N33		8

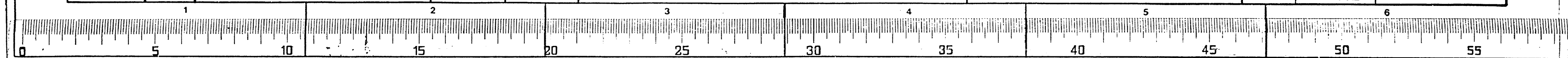
NEGATIVE OR POSITIVE OF ARTWORK SUPPLIED ON THE AUTHORISATION OF ORIGINATING SECTION.

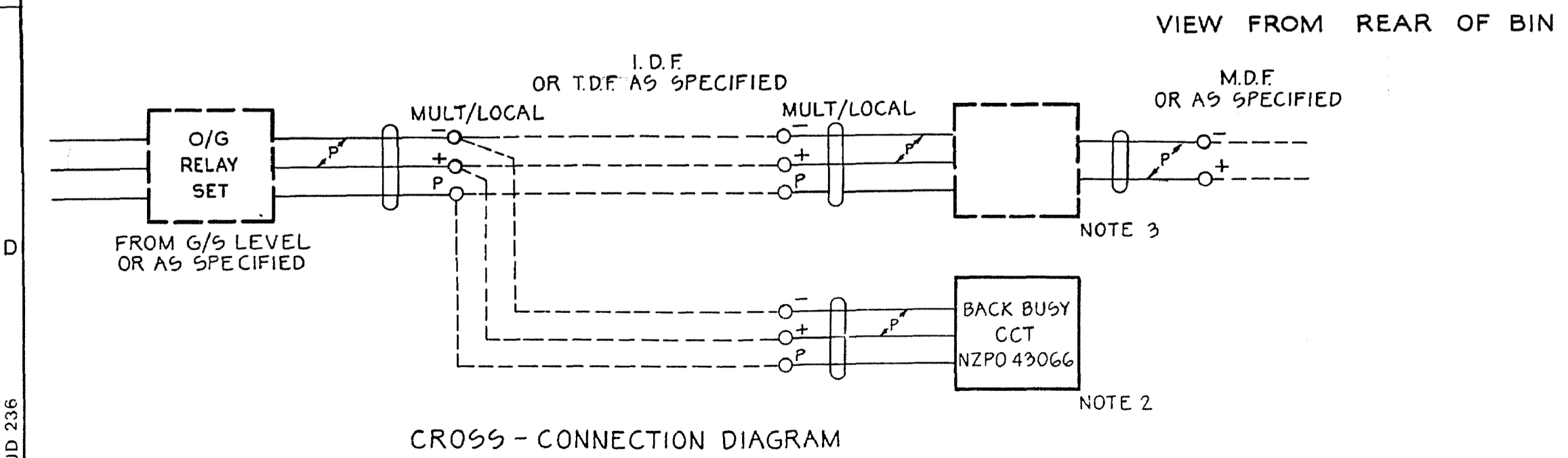
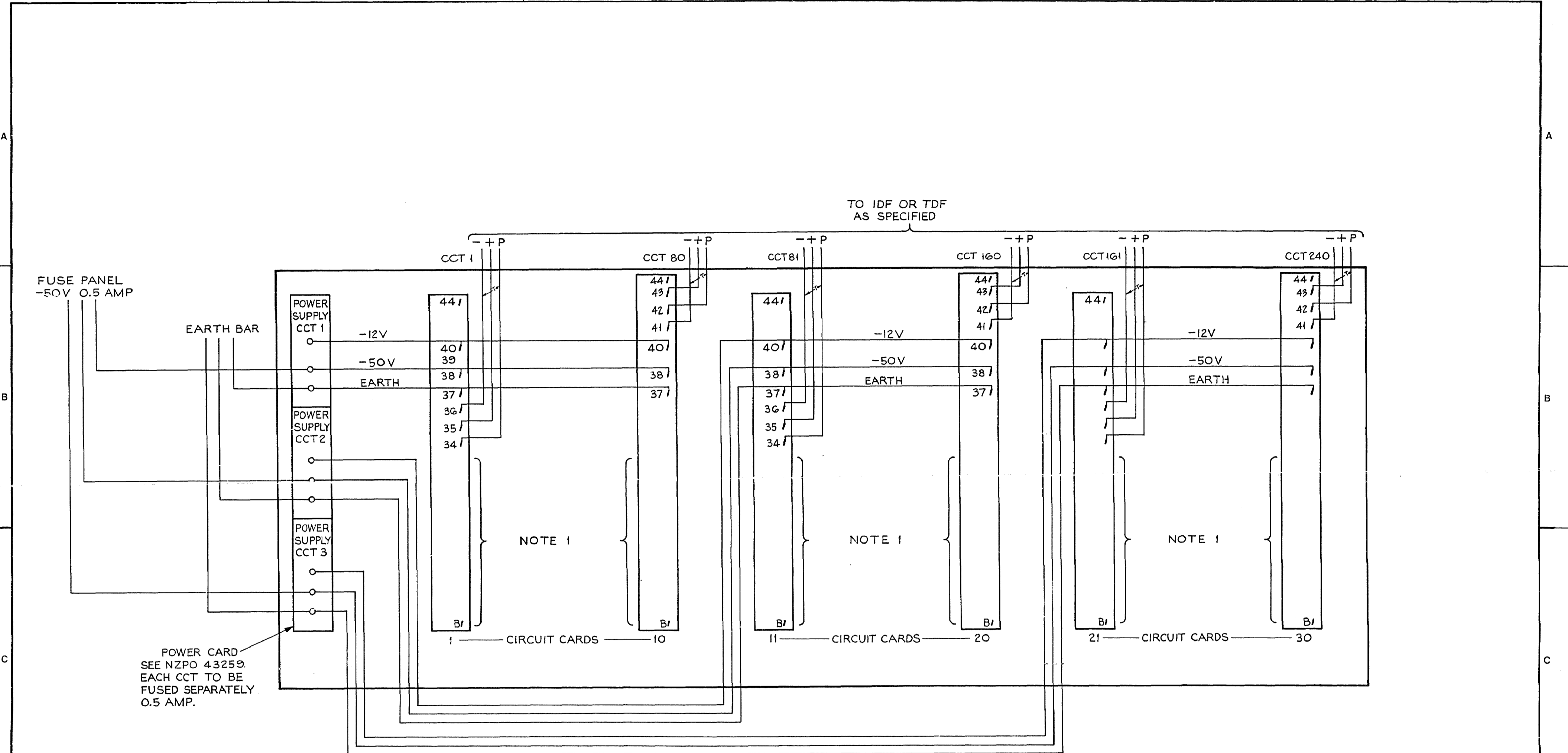


DRILLING SCHEDULE		
SYMBOL	FINISHED HOLE SIZE	QUANTITY
UNMARKED	1.0mm	360
A	0.8 mm	104
B	3.0mm	2
TOTAL NUMBER OF HOLES		466

JUNCTION GUARD & BACK BUSY CIRCUIT STEP TO NEC EXCHANGES.
PRINTED CIRCUIT BOARD LAYOUT.

ISS DATE		APP	CKP	PC	DEL	ORDER	CHANGE
DRN PN.	CKD	GCG	ORIGIN	S.S			
TCD PN.	APPD	JR	STANDARD	IPC-D-310A			
NZPO ENGINEER IN CHIEF WELLINGTON.							
SHT 2		SIZE A2		43066			





- NOTES:
- 1 FOR PIN DETAILS SEE EDGE CONNECTOR TABLE SHT 1.
 - 2 NZPO 43066 IS MOUNTED ON MAR OR RER. AS SPECIFIED.
 - 3 TO JUNCTION VIA T.J.F. OR BUSY JACK, OR AS SPECIFIED.

B 19-7-83		No 38365		CROSS-CONNECTION DIAGR. AND NOTE 2 & 3 ADDED	
A 9-12-81		GGG	JR	LG	176421
ISS DATE	CKD	APD	DC	DEL	ORDER
DRN: JO	CKD	GGG	ORIGIN: S.S.		
TCD: LG	APPD	JR	STANDARD	B5 3939	
NZPO ENGINEER-IN CHIEF WELLINGTON					
		SHT 3		43066	
		SIZE A2			

**JUNCTION GUARD AND
BACK BUSY CIRCUIT STEP
TO NEC EXCHANGE**
TERMINAL CONNECTOR WIRING & CROSS-
CONNECTION DIAGRAM