

SHT No	SIZE	SUB-TITLE	ISSUE			
1	A2	(FIG 1) 2 WIRE ROUTED SCHEMATIC WITH T/O FACILITY.	A	B		
2	A4	U POINT WIRING FOR FIG 1	A	B		
3	A2	(FIG 2) 2 WIRE ROUTED SCHEMATIC WITH T/O FACILITY	A	B		
4	A4	SCA CROSS CONNECTIONS FOR FIG 2	A	B		
5	A3	RCCL FOR FIG 1 AND FIG 2.	A			
6	A2	(FIG 3) 2 WIRE ROUTED SCHEMATIC WITH MAN'HOLD	A	B		
7	A4	U' POINT WIRING FOR FIG 3	A	B		
8	A2	(FIG 4) 2 WIRE ROUTED SCHEMATIC WITH MAN'HOLD	A	B		
9	A4	SCA CROSS CONNECTIONS FOR FIG 4.	A	B		
10	A3	RCCL FOR FIG 3 AND FIG 4	A	B		
11						
12						
13						
14						
15						
16						
17						
18						
19						
20						
21						
22						
23						
24						
25						
26						
27						
28						
29						
30						

NOTES

FIG 1 & FIG 3 JACKED IN RELAY SETS.
 FIG 2 & FIG 4 STRIP MOUNTED RELAY SETS.

MASTER TRACING, 33800.

DEL	CKD	APD	ORDER	DATE	ISS	CHANGE
RRR	KJ	RED	43151	30-6-77	A	
AJU	A.P.	RED.	193559	30-10-78	B	SHTS 1-4 & 6-10 AMO.(REF NZ M 5U)

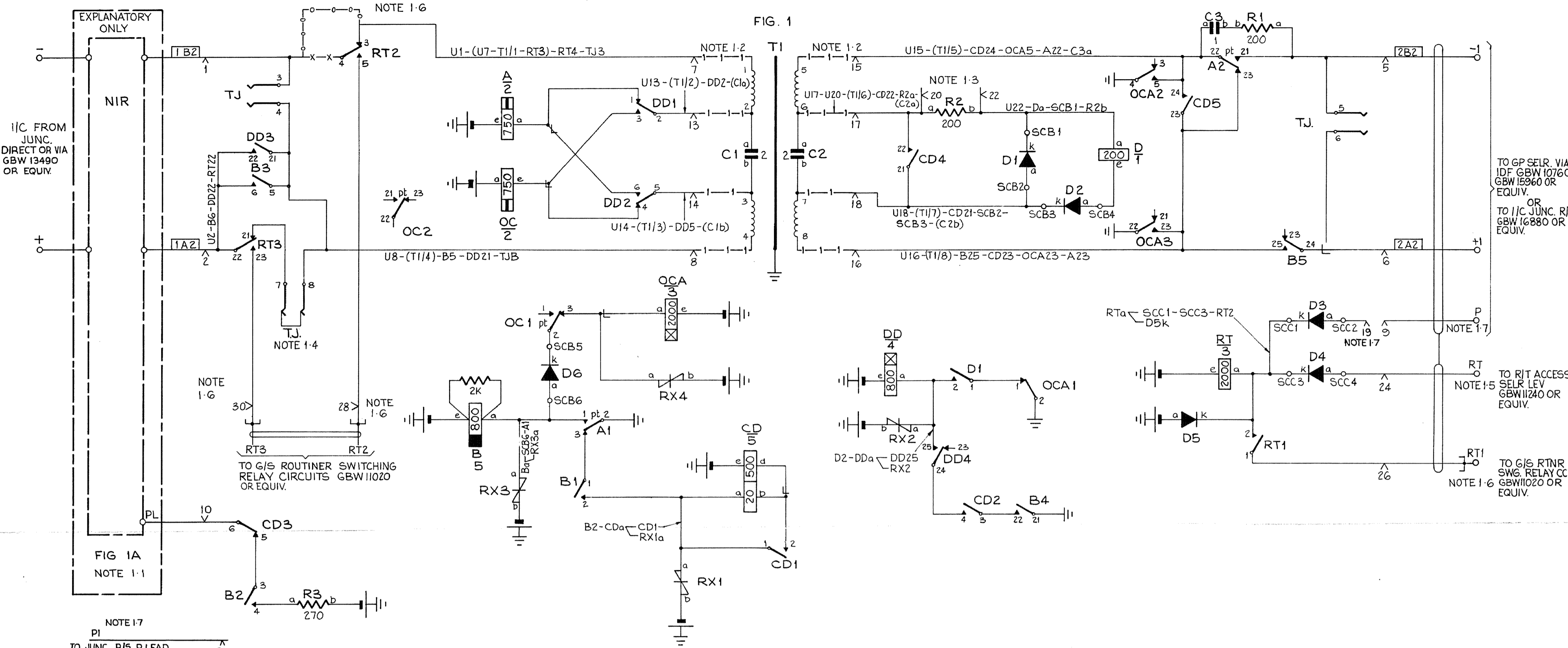
N Z P O ENGINEER-IN-CHIEF WELLINGTON

**INCOMING LOOP SIGNALLING
 EXTENDER
 TRUNK OR JUNCTION DEPENDENT
 (INDEX SHEET)**

COY. NO:
 ORIGIN: T-EQPT.
 DWN:T-EQPT|TCD: RRR

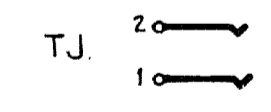
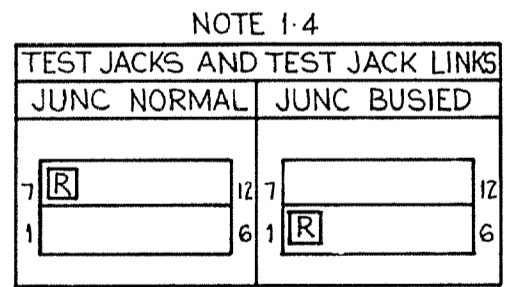
IND
 A4

40530



- NOTES:
- 1-1 NIR MAY BE INSERTED IN CIRCUIT EITHER (1) ON THE I/C JUNCTION SIDE OR (2) ON THE O/G SIDE OF THE RELAY SET.
 - 1-2 DELETE WIRING -1- WHEN EXTERNAL HYBRID REPEATER TO BE CONNECTED.
 - 1-3 STRAP U20 & U22 WHEN JUNCTION RESISTANCE EXCEEDS 200 ohms.
 - 1-4 TO BUSY WHEN JUNCTION IS I/C FROM NEC X-BAR, REMOVE LINK FROM TJ 7 & 8 AND INSERT IN TJ. 1 & 2.
 - 1-5 RT LEAD IS TO BE CONNECTED TO RT ACCESS SEL. LEV. TERMINALS ASSOCIATED WITH THE PARTICULAR GROUP SELECTOR.
 - 1-6 WHEN JUNCTION IS I/C FROM NEC X-BAR EXCHANGE.
 - (a) LEADS RT1, RT2 AND RT3 ARE NOT REQUIRED.
 - (b) REMOVE CONNECTION SHOWN -X-X- AND PROVIDE CONNECTION SHOWN -O-O-O-.
 - 1-7
 - (a) IF INCOMING JUNCTION IS FROM A NEC XBAR EXCHANGE STRAP U9 TO U19.
 - (b) IF INCOMING JUNCTION IS BOTHWAY WORKING FROM A NEC XBAR EXCHANGE STRAP U9 TO U19 & TO U21
 - (c) IF INCOMING JUNCTION IS FROM A STEP EXCHANGE P LEAD TO G/S IS NOT REQUIRED.
 - (d) IF INCOMING JUNCTION IS BOTHWAY WORKING FROM A STEP STRAP U9 TO U21
 - 1-8 FUSING 1.5A PER CCT.

ETH
 ETHR BAR 0.7mm 3A2 R:- U11-T1/E-B21-OCA22-OCA2-OCA4-A2
 BATT B FUSE 0.7mm 3B2 V:- U12-Be CDe R3b-DDe OCAe-RTe Ae
 POS BATT Y FUSE 0.7mm Y: U4-OCa
 RX3b RX1b RX2b
 RX3b RX1b RX2b

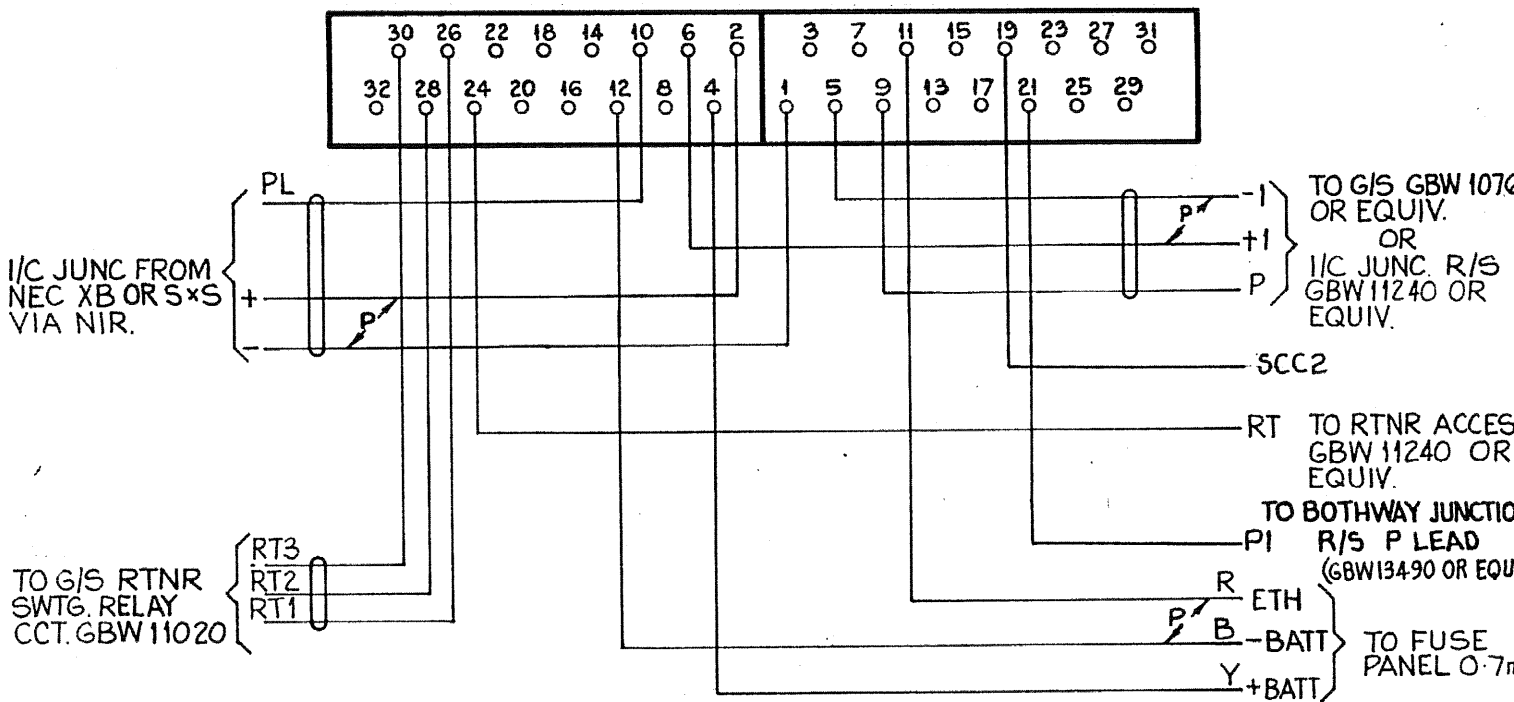


50V

**INCOMING LOOP SIGNALLING EXTENDER
WITH TRUNK OFFER FACILITY
TRUNK OR JUNCTION DEPENDENT
NZ 2000 TYPE**

DATE	ISS	CHANGE	ENGINEER - IN-CHIEF WELLINGTON
25.6.77	A		COY NO
30.10.78	B	PI LEAD ADD. NOTE 17 CHANGED. U19 & U21 CONNECTED.	ORIGIN T. EQPT
			SHT. 1
			DRAWN T. EQPT TRACED R.R.R.
			A2
			40530

AS SEEN FROM REAR

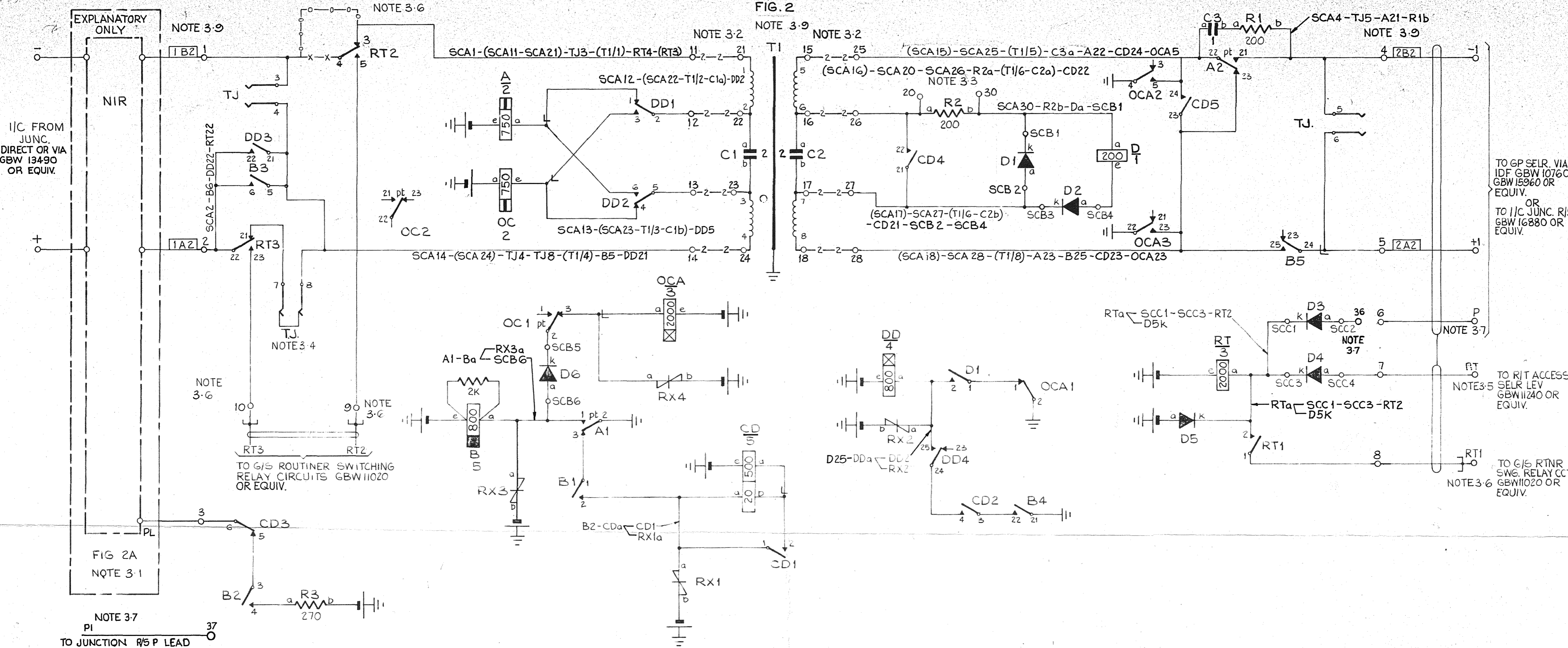


NOTES :-

2.1 ALL WIRING TO BE 0.5mm UNLESS OTHERWISE SPECIFIED.

STER TRACING 29608 SHT. 2 OF 3

DATE	IS	CHANGE	REVISION, ENGINEER-IN-CHIEF, WELLINGTON
25-6-77	A		<p style="text-align: center;">INCOMING LOOP SIGNALLING EXTENDER</p> <p style="text-align: center;">WITH TRUNK OFFER FACILITY.</p> <p style="text-align: center;">"U" POINT WIRING FOR FIG.1</p>
30-10-78	B	U19 & U21 CONNECTED	
			SHT. 2
			40530

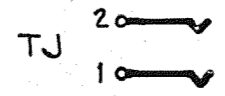


- NOTES:
- 3-1 NIR MAY BE INSERTED IN CIRCUIT EITHER, (1) ON THE I/C JUNCTION SIDE OR (2) ON THE O/G SIDE OF THE RELAY SET.
 - 3-2 DELETE WIRING-2-2- WHEN EXTERNAL HYBRID REPEATER TO BE CONNECTED.
 - 3-3 STRAP SCA20 TO SCA30 WHEN JUNCTION RESISTANCE EXCEEDS 200 ohms.
 - 3-4 TO BUSY WHEN JUNCTION IS I/C FROM NEC X-BAR, REMOVE LINK FROM TJ 7&8 AND INSERT IN TJ. 1&2.
 - 3-5 RT LEAD IS TO BE CONNECTED TO RT ACCESS SEL.LEV. TERMINALS ASSOCIATED WITH THE PARTICULAR GROUP SELECTOR.
 - 3-6 WHEN JUNCTION IS I/C FROM NEC X-BAR EXCHANGE.
 - (a) LEADS RT1, RT2 AND RT3 ARE NOT REQUIRED.
 - (b) REMOVE CONNECTION SHOWN -X-X- AND PROVIDE CONNECTION SHOWN -O-O-O-.
 - 3-7 (a) IF INCOMING JUNCTION IS FROM A NEC XBAR EXCHANGE STRAP SCA6 TO 36.
 (b) IF INCOMING JUNCTION IS BOTHWAY WORKING FROM A NEC XBAR EXCHANGE STRAP SCA6 TO 36&TO 37.
 (c) IF INCOMING JUNCTION IS FROM A STEP EXCHANGE P LEAD TO G/5 IS NOT REQUIRED.
 (d) IF INCOMING JUNCTION IS BOTHWAY WORKING FROM A STEP STRAP SCA6 TO 37.
 - 3-8 FUSING 1.5A PER CCT.
 - 3-9 UNLESS OTHERWISE INDICATED ALL TERMINALS ARE ON STRIP CONNECTIONS AT THE REAR AND ARE INDICATED SCA IN WIRING RUNS.

ETH
 ETH R BAR 0.7mm 3A2 R:-SCA 50-T1/E-B21-A2-OCA22-OCA2-OCA4
 BATT B FUSE 0.7mm 3B2 V:-SCA48-Ae-R3b-CDe Be-De-De-RTe-OCAe
 RX1b-RX3b-RX2b-D5a
 POS BATT R B FUSE 0.7mm Y:-SCA47-OCa

NOTE 3-4

TEST JACKS AND TEST JACK LINKS	
JUNC NORMAL	JUNC BUSIED

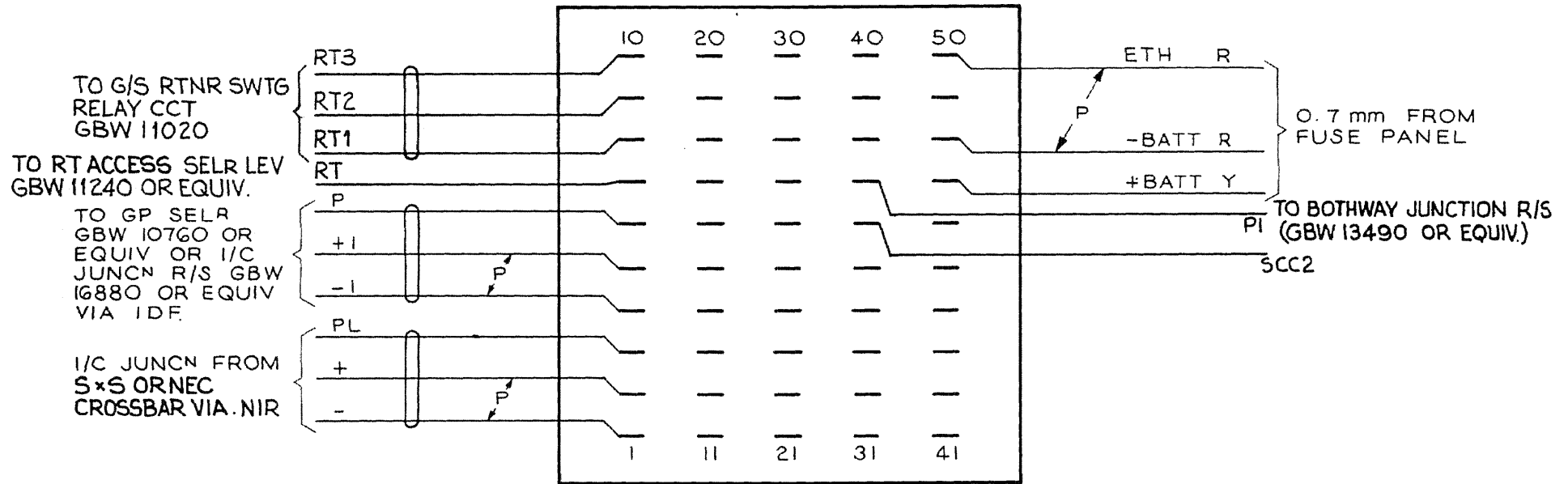


50V

**INCOMING LOOP SIGNALLING EXTENDER
 WITH TRUNK OFFER FACILITY
 TRUNK OR JUNCTION DEPENDENT
 NZ 2000 TYPE**

DATE ISS	CHANGE	N Z P O
25.6.71 A		ENGINEER - IN-CHIEF WELLINGTON
30.10.78 B	PI LEAD ADD. NOTE 3-7 CHANGED. SCA 36 & SCA 37 CONN.	COY N°
		ORIGIN T. EQPT
SHT. 3		DRAWN: T. EQPT. SPACED R.R.R.
A2		40530

SCA



NOTES

4.1 ALL WIRING TO BE 0.5mm UNLESS OTHERWISE SPECIFIED.

**INCOMING LOOP SIGNALLING EXTENDER
WITH TRUNK OFFER FACILITY
CROSS CONNECTIONS FOR FIG. 2**

DATE	ISS	CHANGE	NZPO	
25-6-77	A		ENGINEER-IN-CHIEF, WELLINGTON	
30-10-78	B	SCA 36 & SCA 37 CONNECTED...	ORIGIN: T-EQPT	
			SHT 4	DRAWN: T-EQPT TRACED: CHRIS
			A4	40530

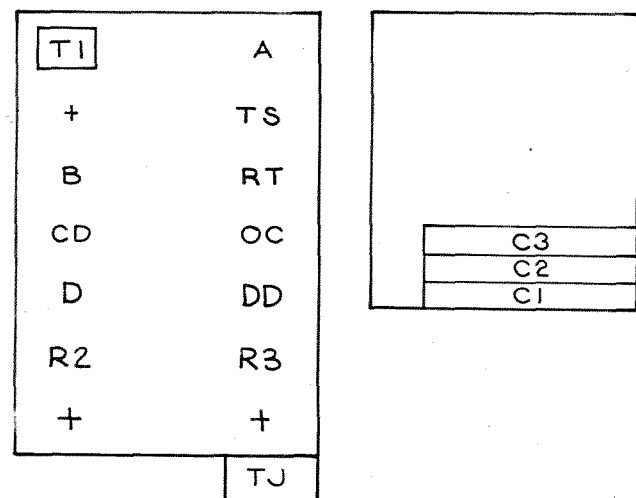
RELAY CODES AND COMPONENTS LIST

RELAY NAME	B.C.C. CODE	N.Z.P.O. CODE	B.P.O. CODE	COY. CODE	NOTES	STOCK LIST N ^o	COMPONENT DESIGNATION	B.P.O. CODE	COY. CODE	NOTES	STOCK LIST N ^o	MISC. COMPONENTS	NOTES	STOCK LIST N ^o
A	HSDNZ814				B	WS	R1	6		200 Ω NOTE 5-2	KB169	MTG PLATE	RS2/3000/14 FIG. 1	LH681D
B	B60430					WS	R2	9		200 Ω	KB170	TEST JACK	12PT 21G FIGS. 1&2	LC148
CD	B60766					WS	R3	9		270 Ω	KB213	PLUG	BPO 3201 FIG. 1	LH679
D	B6476					WS	C1-2	102		2MF	KC317	LINK	TYPE N (RED)	LC216
DD	B74601					WS	C3	101		1MF	KC250			
OC	HSDNZ814				B	WS	D1,D2,D5,D6		IN4003	DIODE NOTE 5-3	K905	MTG PLATE	27 ³ / ₄ 2x10 FIG. 2	LH660
RT	B6030					WS	D3,D4		CV7030	DIODE	K907	MTG BKT	(FOR TEST JACK) 21G	LH661H
OCA	B16458					WS	RX1-4	2		RESISTOR NON LINEAR	K996			
							T1		415A	TRANSFORMER	K980E	RESIS. POST	2" FIG. 1 & 2	KB9
												TERM STRIP	1/DST 844	LH814
												SCREWS	SCB SCC	LH610
												INS PLATE	FIG. 1 & 2	LE811
												TERM. STRIP	SCA 121 FIG. 2	LH205
												MTG BKT.	SCA 121 FIG. 2	LH138

NOTES

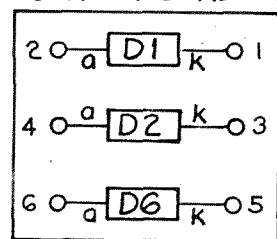
A- SPECIAL FACTORS OF SAFETY B- SPECIAL ADJUST. C- CCT. POINTS OR MODS.

FIG. 1



LAYOUT

**SCB
MTD REAR D RELAY**



**SCC
MTD REAR RT RELAY**

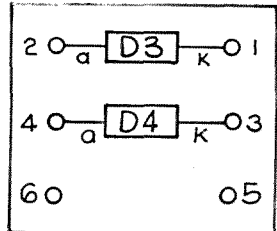
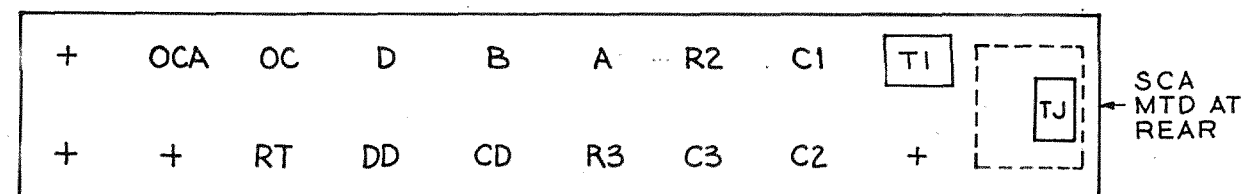


FIG. 2



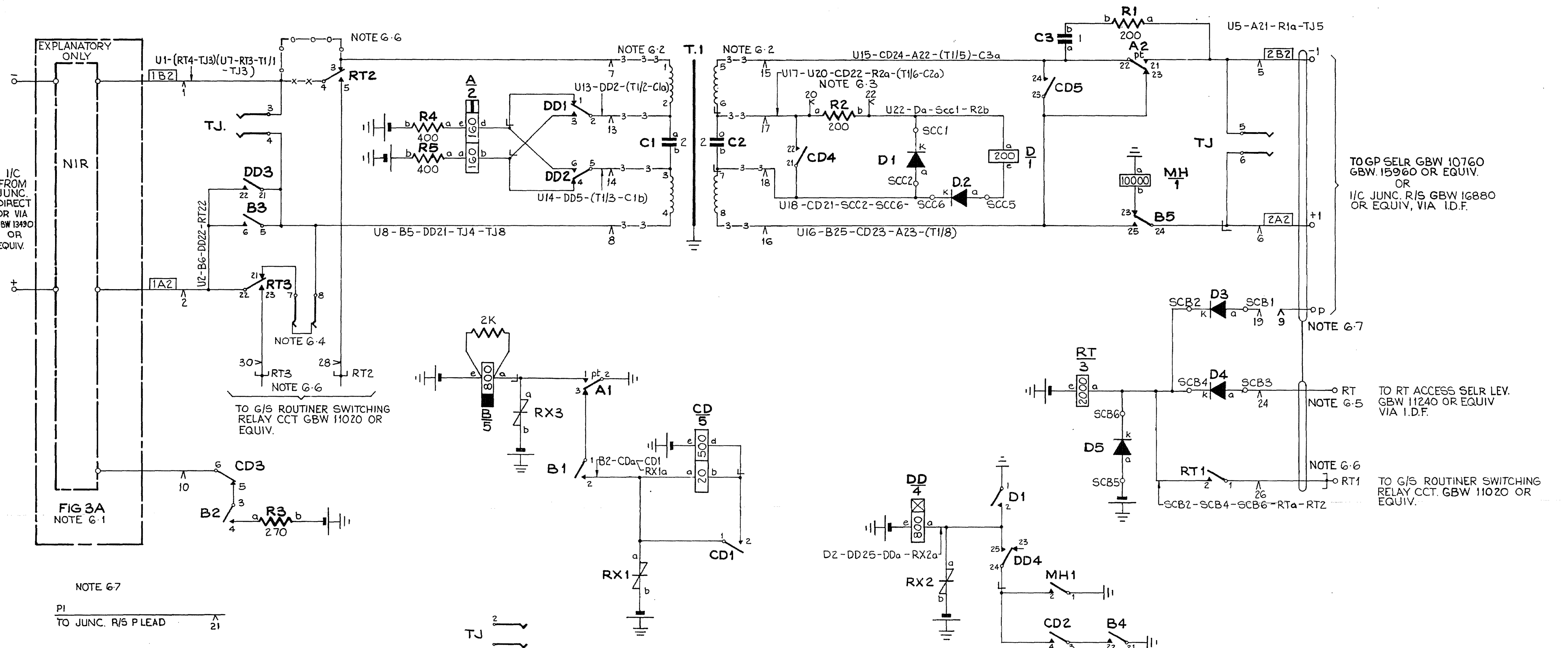
NOTES:

- 5-1 RX1-4 MOUNTED REAR RELAYS CD, DD, B & OCA RESPECTIVELY
- 5-2 R1 MOUNTED C3.
- 5-3 D5 MOUNTED REAR RELAY RT.

**INCOMING LOOP SIGNALLING EXTENDER
WITH TRUNK OFFER FACILITY
RCCL FOR FIGS 1 & 2**

DATE	ISS	CHANGE	N.Z.P.O. ENGINEER-IN-CHIEF WELLINGTON
25 C 77	A		COY. N ^o : _____ ORIGIN: T-EQPT.
			SHT. 5 DRAWN: T-EQPT. TRACED: C.P.
			40530

FIG 3



- NOTES
- G-1 NIR MAY BE INSERTED IN CIRCUIT EITHER (1) ON THE I/C JUNCTION SIDE, OR (2) ON THE O/G SIDE OF THE RELAY SET.
 - G-2 DELETE WIRING-3-WHEN HYBRID REPEATER TO BE CONNECTED.
 - G-3 STRAP U20 & U22 WHEN JUNCTION RESISTANCE EXCEEDS 200 ohms.
 - G-4 TO BUSY WHEN JUNCTION IS I/C FROM NEC X-BAR, REMOVE LINK FROM TJ 7 & 8 AND INSERT IN TJ. 1 & 2.
 - G-5 RT LEAD IS TO BE CONNECTED TO RT ACCESS SEL: LEV. TERMINALS ASSOCIATED WITH THE PARTICULAR GROUP SELECTOR.
 - G-6 WHEN JUNCTION IS I/C FROM NEC X-BAR EXCHANGE.
 - (a) LEADS RT1, RT2 & RT3 ARE NOT REQUIRED.
 - (b) REMOVE CONNECTION SHOWN -X-X- AND PROVIDE CONNECTION -O-O-.
 - G-7
 - (a) IF INCOMING JUNCTION IS FROM A NEC XBAR EXCHANGE STRAP U9 TO U19.
 - (b) IF INCOMING JUNCTION IS BOTHWAY WORKING FROM A NEC XBAR EXCHANGE STRAP U9 TO U19 & TO U21.
 - (c) IF INCOMING JUNCTION IS FROM A STEP EXCHANGE P LEAD TO G/S IS NOT REQUIRED.
 - (d) IF INCOMING JUNCTION IS BOTHWAY WORKING FROM A STEP STRAP U9 TO U21
 - G-8 FUSING 1.5A PER CCT.

NOTE G-4

TEST JACKS AND TEST JACK LINKS	
JUNC. NORMAL	JUNC. BUSIED
7 [R] 12	7 12
1 6	1 [R] 6

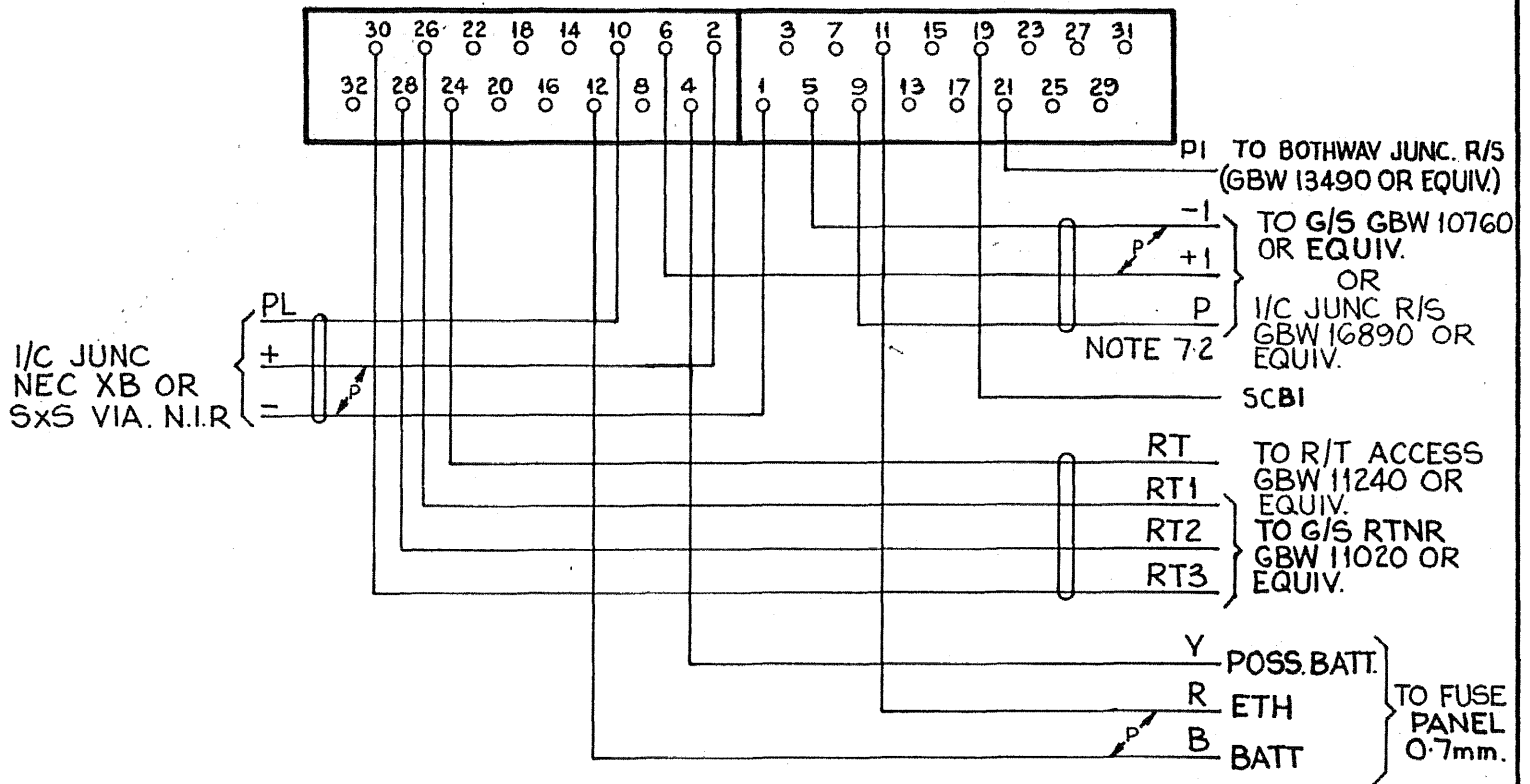
ETH R BAR 0.7mm [3A2] R U11-T1|E-B21-D1-MHa -MH1-A2
 BATT BK FUSE 0.7mm [3B2] V U12-Be CDe R3b-R4b-De RTe-SCB5
 Poss. BATT. Y FUSE 0.7mm Y U4-R5b RX3b-RX1b RX2b

50V

**INCOMING LOOP SIGNALLING EXTENDER
WITH MANUAL HOLD FACILITY
TRUNK OR JUNCTION PARENT.
NZ 2000 TYPE**

DATE	ISS	CHANGE	N Z P O	
25.6.77	A		ENGINEER-IN-CHIEF WELLINGTON	
30.10.78	B	U9, U19, & U21 WIRED, NOTE G-7 AMD.	COY NO	ORIGIN T-EQPT
			SHT.6	DRAWN T-EQPT TRACED RRR
			A2	40530

AS SEEN FROM REAR

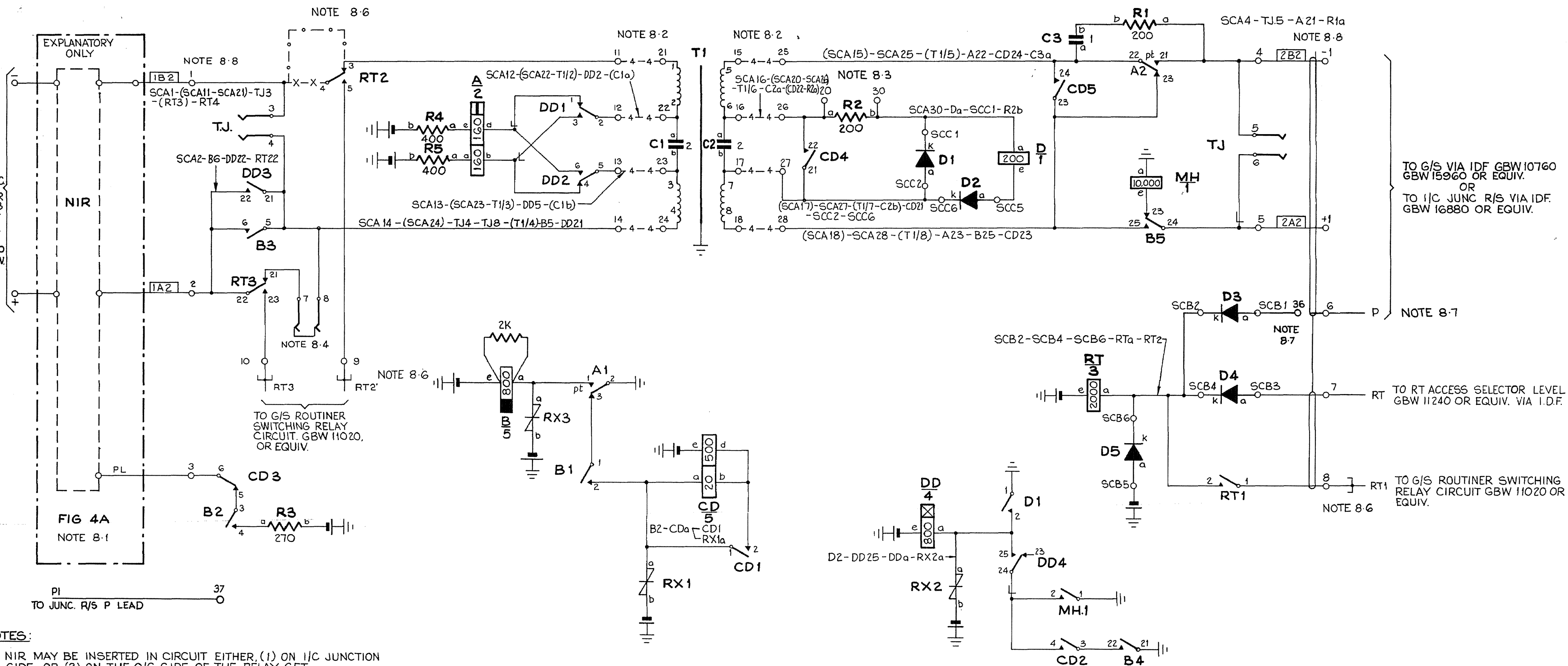


NOTES :-

7.1 ALL WIRING TO BE 0.5mm UNLESS OTHERWISE SPECIFIED.

DATE	REV	CHANGE	W. J. P. D., ENGINEER - IN - CHIEF, WELLINGTON.
25-6-77	A		INCOMING LOOP SIGNALLING EXTENDER WITH MANUAL HOLD FACILITY TRUNK OR JUNCTION PARENT "U" POINT WIRING FOR FIG. 3
30-10-78	B	U19 & U21 COIN. TITLE BLOCK AMD.	
		T-EQPT	SHT. 7
			40530

FIG. 4



- NOTES:**
- 8.1 NIR MAY BE INSERTED IN CIRCUIT EITHER, (1) ON I/C JUNCTION SIDE, OR, (2) ON THE O/G SIDE OF THE RELAY SET.
 - 8.2 DELETE WIRING -4- WHEN HYBRID REPEATER TO BE CONNECTED.
 - 8.3 STRAP SCA 20 TO 30 WHEN JUNCTION RESISTANCE EXCEEDS 200 ohms.
 - 8.4 TO BUSY WHEN JUNCTION IS I/C FROM NEC X-BAR, REMOVE LINK FROM T.J. 7 & 8 AND INSERT IN T.J. 1 & 2.
 - 8.5 RT LEAD IS TO BE CONNECTED TO RT ACCESS SEL. LEV. TERMINALS ASSOCIATED WITH THE PARTICULAR GROUP SELECTOR.
 - 8.6 WHEN JUNCTION IS I/C FROM NEC X-BAR EXCHANGE.
 - (a) LEADS RT1, RT2 AND RT3 ARE NOT REQUIRED.
 - (b) REMOVE CONNECTION SHOWN -X-X- AND PROVIDE CONNECTION SHOWN -O-O-O-
 - 8.7 (a) IF INCOMING JUNCTION IS FROM A NEC XBAR EXCHANGE STRAP SCA6 TO SCA 36
 (b) IF INCOMING JUNCTION IS BOTHWAY WORKING FROM A NEC XBAR EXCHANGE STRAP SCA 6 TO SCA 36 TO SCA 37
 (c) IF INCOMING JUNCTION IS FROM A STEP EXCHANGE P LEAD TO G/S IS NOT REQUIRED
 (d) IF INCOMING JUNCTION IS BOTHWAY WORKING FROM A STEP STRAP SCA 6 TO SCA 37
 - 8.8 UNLESS OTHERWISE INDICATED ALL TERMINAL ARE ON STRIP CONNECTION AT REAR AND ARE DESIGNATED SCA IN WIRING RUNS.
 - 8.9 FUSING 15A PER CCT.

NOTE 8.4

TEST JACKS AND TEST JACK LINKS	
JUNC NORMAL	JUNC BUSIED

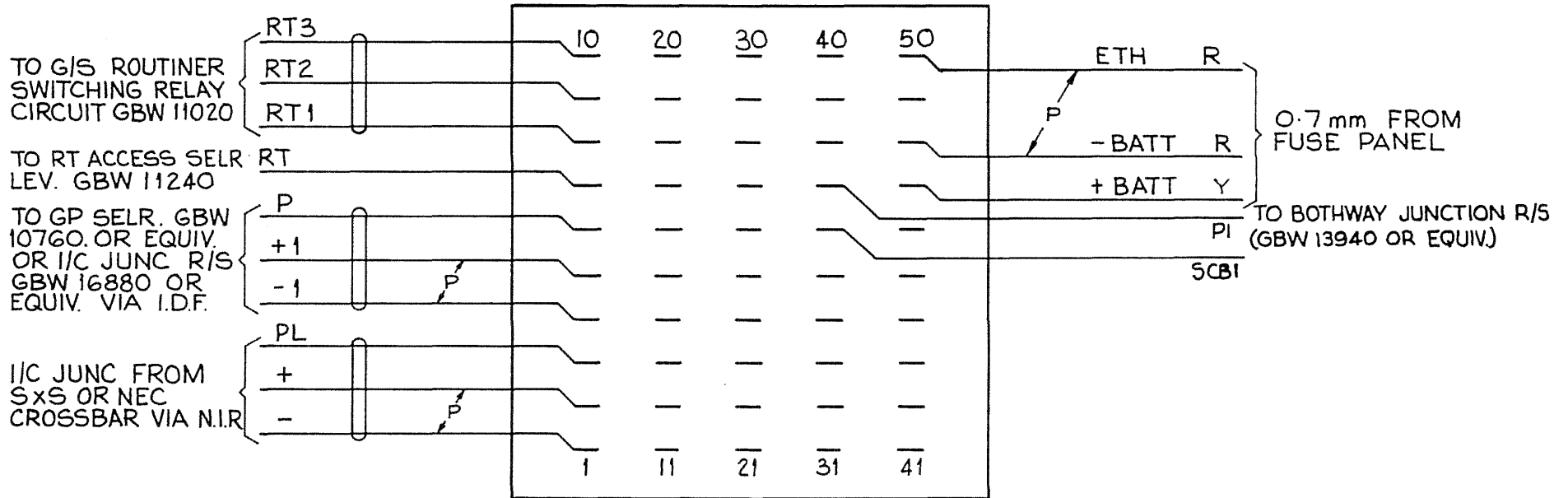
ETH. R ETH BAR 0.7mm 3A2 R SCA 50-T1/E-B21-DI-MH0-MHI-A2
 BATT. B. FUSE 0.7mm 3B2 V SCA4B-Be-CDe-R3b-R4b-De-RTe-SCB5
 POS. BATT. Y FUSE 0.7mm Y SCA47-R5b

50V

**INCOMING LOOP SIGNALLING EXTENDER
WITH MANUAL HOLD FACILITY
TRUNK OR JUNCTION PARENT**

DATE	ISS	CHANGE	ENGINEER-IN-CHIEF WELLINGTON
25-6-71	A		COY NO
30-10-78	B	U36, U37 & P1 LEAD CONN. NOTE 8.7 AMD.	ORIGIN T.EQPT
			SHT.8
			A2
			40530

SCA



NOTES

9.1 ALL WIRING TO BE 0.5mm UNLESS OTHERWISE SPECIFIED.

**INCOMING LOOP SIGNALLING EXTENDER
WITH MANUAL HOLD FACILITY
TRUNK OR JUNCTION PARENT
CROSS CONNECTIONS FOR FIG.4**

DATE	ISS	CHANGE	N Z P O	
25-6-77	A		ENGINEER-IN-CHIEF, WELLINGTON	
30-10-78	B	SCA 36 & 37 CONNECTED. TITLE BLOCK AMD.	COY NO	ORIGIN T. EQPT.
			SHT. 9	DRAWN T. EQPT. TRACED RRR
			A4	40530

RELAY CODES AND COMPONENTS LIST

RELAY NAME	B.C.C. CODE	N.Z.P.O. CODE	B.P.O. CODE	COY. CODE	NOTES	STOCK LIST N ^o	COMPONENT DESIGNATION	B.P.O. CODE	COY CODE	NOTES	STOCK LIST N ^o	MISC. COMPONENTS	NOTES	STOCK LIST N ^o	
A	HSD502				B	LD88A	R1	6		200 Ω	NOTE 10.2	KB 169	MTG PLATE	RS2 / 3000 / 14 FIG. 3	LH681D
B	B60430					WS	R2	9		200 Ω		KB 170	TEST JACK	12PT 2IG FIGS. 3 & 4	LC 148
CD	B60766					WS	R3	9		270 Ω		KB 213	PLUG	BPO 3201 FIG. 3	LH 679
D	B6476					WS	R4-5	9		400 Ω		KB 259	LINK	TYPE N (RED)	LC 216
DD	B74601					WS	C1-2	102		2 MF		KC 317			
MH	B73611					WS	C3	101		1 MF		KC 250	MTG PLATE	27 ³ / ₄ 2x10 FIG. 4	LH660
RT	B6030					WS	D1-2, D5		IN 4003	DIODES		K905	MTG BKT	(FOR TEST JACK 2IG)	LH661H
							D3-D4		CV 7030	DIODES		K907	CAP CLIP	42	KC404
							T1		AE1 415A	TRANSFORMER		K980E	RESIS POSTS	2 ¹ / ₂ FIGS. 3 & 4	KB 9A
							RX1-2	2		RESISTOR NON LINEAR (ATMITE)		K996	TERM STRIP	1/ DST 844	LH 814
													SCREWS	SCB SCC	LH 610
													INS PLATE	FIGS. 3 & 4	LE 811
													TERM STRIP	SCA 121 FIG. 4	LH 205
													MTG BKT	SCA 121 FIG. 4	LH 138

NOTES
 A - SPECIAL FACTORS OF SAFETY B - SPECIAL ADJUST. C - CCT. POINTS OR MODS.

LAYOUT

FIG. 3

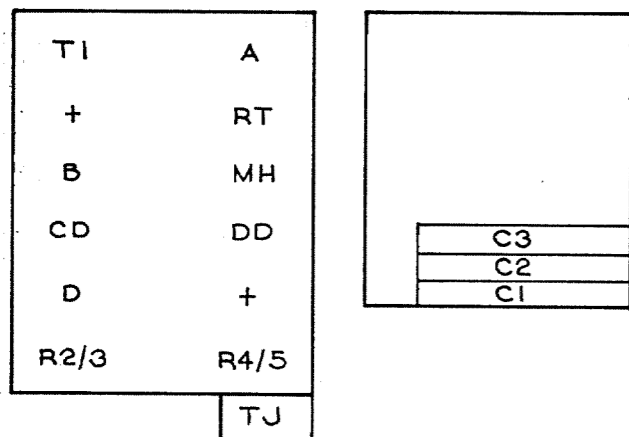
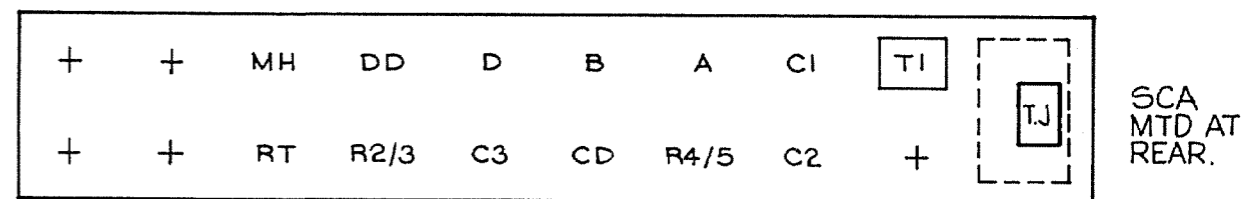
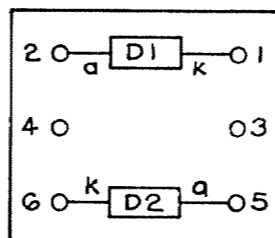


FIG. 4



SCB MTD REAR RT



SCC MTD REAR D

NOTES

10.1 RX1, RX2 & RX3 MOUNTED REAR RELAYS CD, DD & B RESPECTIVELY.
 10.2 R1 MOUNTED C3

MASTER TRACING 28433

**INCOMING LOOP SIGNALLING EXTENDER
 WITH MANUAL HOLD FACILITY TRUNK
 OR JUNCTION PARENT
 RCCL FOR FIGS 3 & 4**

DATE 25.6.77	ISS A	CHANGE		N.Z.P.O	
		TITLE BLOCK AMD.		ENGINEER-IN-CHIEF WELLINGTON	
		COY. N ^o :		ORIGIN: T-EQPT.	
		SHT 10	DRAWN: T-EQPT	TRACED: C.B.P.	
		A3	40530		