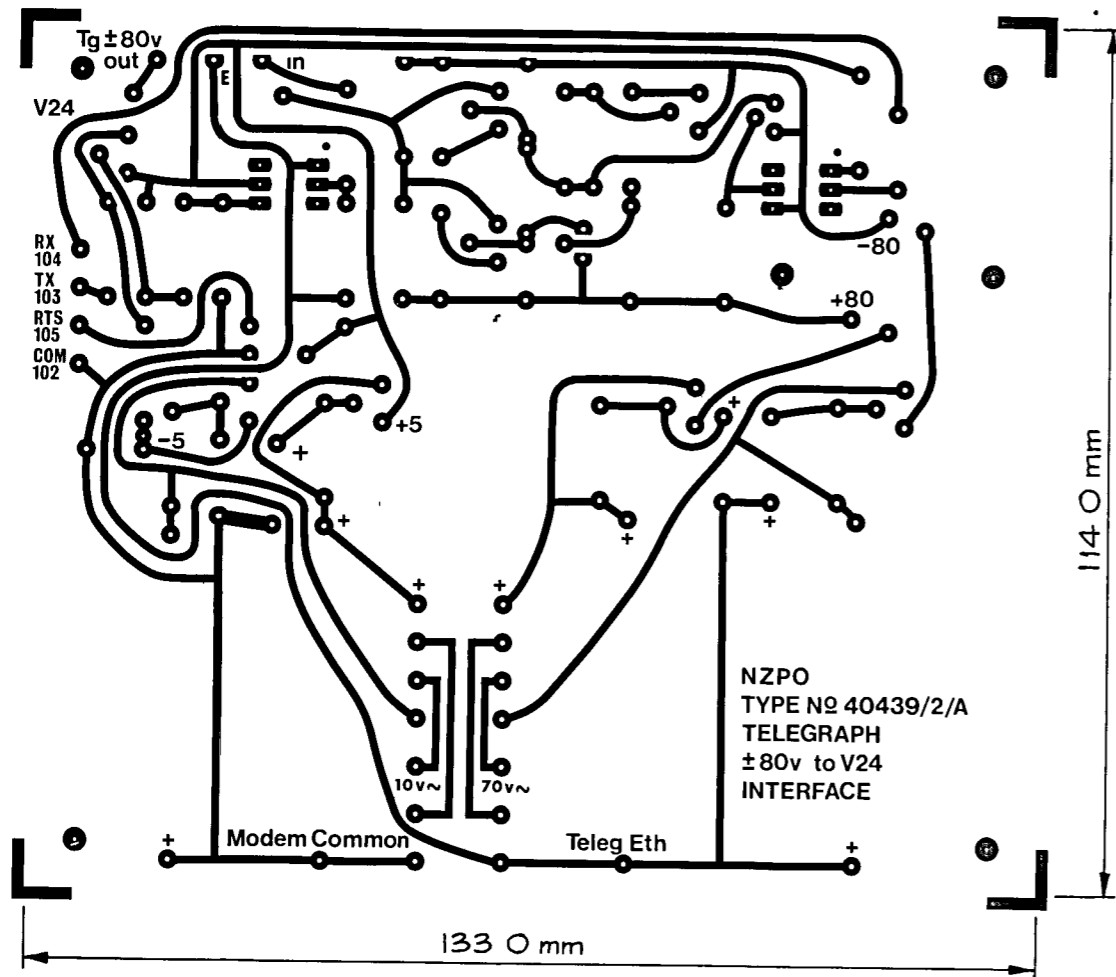


SHT N ^o	SIZE	SUB-TITLE	ISSUE
1	A3	P.C.B. DETAILS	A
2	A2	CIRCUIT DIAGRAM	A
3	A4	COMPONENTS LIST	A
4	A4	COMPONENTS LIST	A
5	A4	COMPONENTS LIST	A
6			
7			
8			
9			
10			
11			
12			
13			
14			
15			
16			
17			
18			
19			
20			
21			
22			
23			
24			
25			
26			
27			
28			
29			
30			

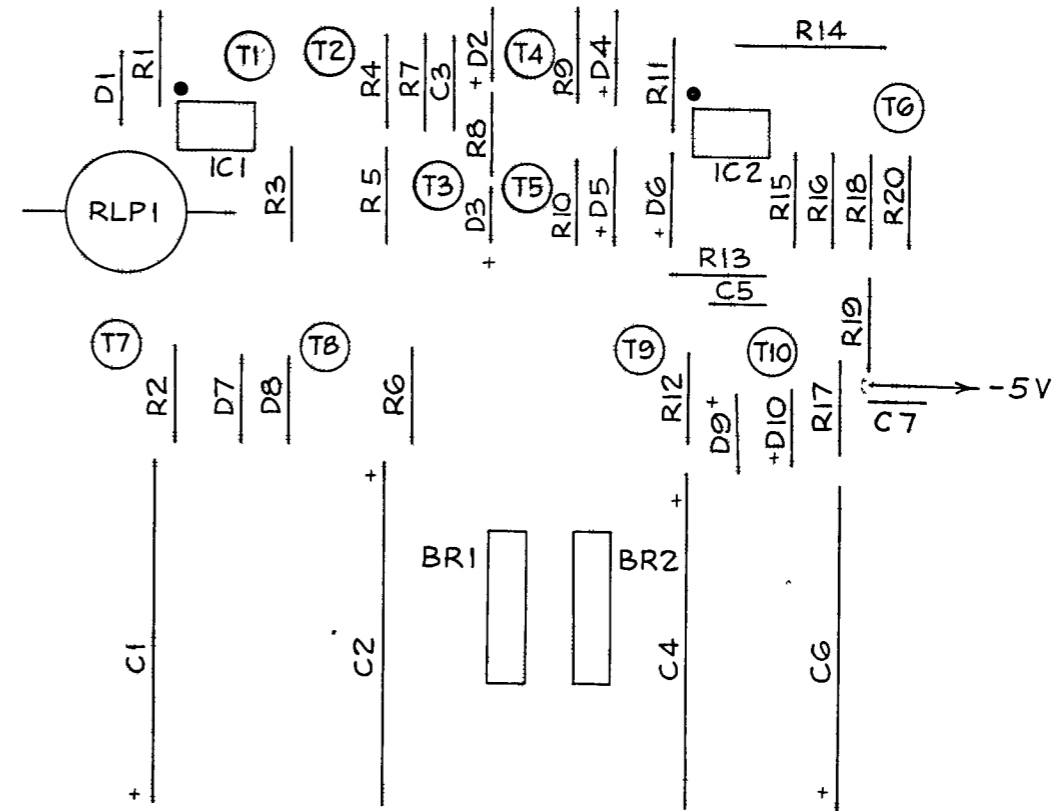
NOTES

MASTER TRACING, 33800.

DEL	CKD	APD	ORDER	DATE	ISS	CHANGE	N Z P O ENGINEER-IN-CHIEF WELLINGTON		
C.B.	R.H.	AMS	36896	16.5.77	A.		TELEGRAPH ± 80v TO V24 INTERFACE UNIT (INDEX SHEET)		
							COY. NO:	IND A4	
							ORIGIN: TELEG.		40439
							DWN: TELEG. TCD: C. B.		

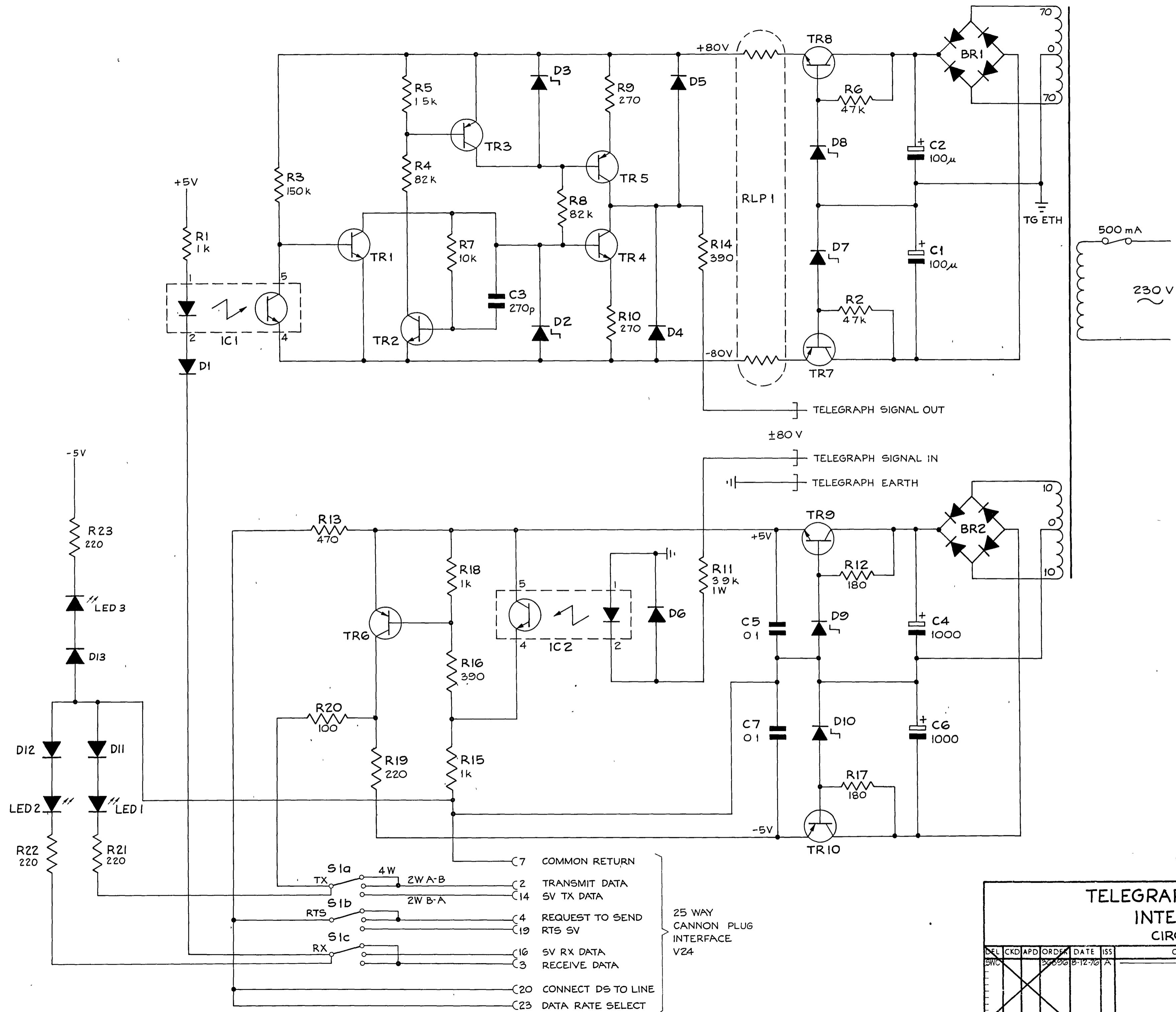


COPPER SIDE



COMPONENT SIDE

TELEGRAPH ± 80v TO V24 INTERFACE UNIT PCB DETAILS					DEL	CKD	APD	ORDER	DATE	ISS	CHANGE	N Z P O		
					SWC			30256	8-12-76	A		ENGINEER-IN-CHIEF, WELLINGTON		
											COY NO	ORIGIN TELEG		
											SHT 1	DRAWN TELEG	TRACED SWC	
											A3	40439		



**TELEGRAPH ±80v TO V24
 INTERFACE UNIT
 CIRCUIT DIAGRAM**

DEL	CKD	APD	ORDR	DATE	ISS	CHANGE
SWC				30/06/5-12-70	A	
ENGINEER-IN-CHIEF, WELLINGTON						N Z P O
COY NO						ORIGIN TELEG
SHT 2						DRAWN TELEG
A2						TRACED SWC
						40439

COMPONENT DESIGNATION	DESCRIPTION	VALUE	RATING	TOLERANCE	PART NUMBER
LED 1	GREEN LED				TIL 221 D.J. Reid
LED 2	RED LED				TIL 209A D.J. Reid
LED 3	" "				TIL 209A D.J. Reid
R 1	RESISTOR	1k			ER 225
R 2	"	4.7k			ER 233
R 3	"	150k			ER 251
R 4	"	82k			ER 248
R 5	"	1.5k			ER 227
R 6	"	4.7k			ER 233
R 7	"	10k			ER 237
R 8	"	82k			ER 248
R 9	"	270			ER 218
R 10	"	270			ER 218
R 11	"	3.9k	1W		ER 432
R 12	"	180			ER 216
R 13	"	470			ER 221
R 14	"	390	2W		D.J. Reid
R 15	"	1k			ER 225
R 16	"	390			ER 220
R 17	"	180			ER 216
R 18	"	1k			ER 225
R 19	"	220			ER 217
R 20	"	100			ER 215
R21, 22, 23	"	220			ER 217
RLF 1	RESISTOR BULB OR LAMP	-			-
C 1	CAPACITOR	100u	200v		D.J. Reid
C 2	"	100u	200v		D.J. Reid
C 3	"	270pf			D.J. Reid
C 4	"	1000u	25v		D.J. Reid
C 5	"	0.1u			ER 225
C 6	"	1000u	25v		D.J. Reid
C 7	"	0.1u			ER 225

MASTER TRACING 39316

DEL	CKD	APD	ORDER	DATE	ISS	CHANGE	NZPO ENGINEER - IN - CHIEF, WELLINGTON
C.B.			36896	16.5.77	A		TELEGRAPH ±80v TO V24 INTERFACE UNIT COMPONENTS LIST
						SHT. 3	40439
						ORIGIN: TELEG.	
						DWN: TELEG. TCD: C.B.	A4

COMPONENT DESIGNATION	DESCRIPTION	VALUE	RATING	TOLERANCE	PART NUMBER
IC 1	INTEGRATED CIRCUIT				NOT 200 PRO EL
IC 2	" "				NOT 200 PRO EL
TR 1	TRANSISTOR				2N 3565 CO 530
TR 2	"				40327 DA 466
TR 3	"				2N 4248 CO 762
TR 4	"				40327 CO 530
TR 5	"				2N 5415 DA 570
TR 6	"				2N 4248 CO 762
TR 7	"				2N 5415 DA 570
TR 8	"				40327 DA 466
TR 9	"				40327 DA 466
TR 10	"				2N 5415 DA 570
BR 1	BRIDGE RECTIFIER				BY 179 (Philips) D.J. Reid
BR 2	" "				BY 164 (Philips) D.J. Reid
T 1	TRANSFORMER (MODIFIED)				
D 1	DIODE				BAX 16 CO 705
D 2	" 9.1v ZENER		400mW		BEX 79c 9v1 CO 925
D 3	" 9.1v ZENER		400mW		BEX 79c 9v1 CO 925
D 4	"				IN 4004 CO 611
D 5	"				IN 4004 CO 611
D 6	"				IN 4004 CO 611
D 7	" 75v ZENER		1W		IS 3075A D.J. Reid
D 8	" 75v ZENER		1W		IS 3075A D.J. Reid
D 9	" 5.6v ZENER		400mW		BEX 79c 5v6 CO 252
D 10	" 5.6v ZENER		400mW		BEX 79c 5v6 CO 252
D 11	"				BAX 16 CO 705
D 12	"				BAX 16 CO 705
D 13	"				BAX 16 CO 705

MASTER TRACING 39316

REL	CKD	APD	ORDER	DATE	ISS	CHANGE	NZPO ENGINEER - IN - CHIEF, WELLINGTON.
C.B.			36856	16.5.77	A.		
<p>TELEGRAPH ±80v TO V24 INTERFACE UNIT COMPONENTS LIST</p>							SHT. 4
							ORIGIN: TELEG.
							DWN: TELEG. TCD: C.B.
							A4 40439

COMPONENT DESIGNATION	DESCRIPTION	VALUE	RATING	TOLERANCE	PART NUMBER
	Cordgrins				-
	Fuse holder				-
	Screw terminals				T 23A D.J. Reid
	4 pole, 3 position switch				D.J. Reid
	Knob (H13A) 36A				D.J. Reid
	25 pin Cannon plug				DA 558
	Box				D.J. Reid
	Power flex and 3 pin plug				D.J. Reid

MASTER TRACING 39316

DEL	CKD	APD	ORDER	DATE	ISS	CHANGE	NZPO ENGINEER - IN - CHIEF , WELLINGTON
C.B.			36856	16.5.77 A.			TELEGRAPH ±80v TO V24 INTERFACE UNIT COMPONENTS LIST
						ORIGIN: TELEG.	SHT 5
						DWN: TELEG. TCD: C.B.	A4
						40439	