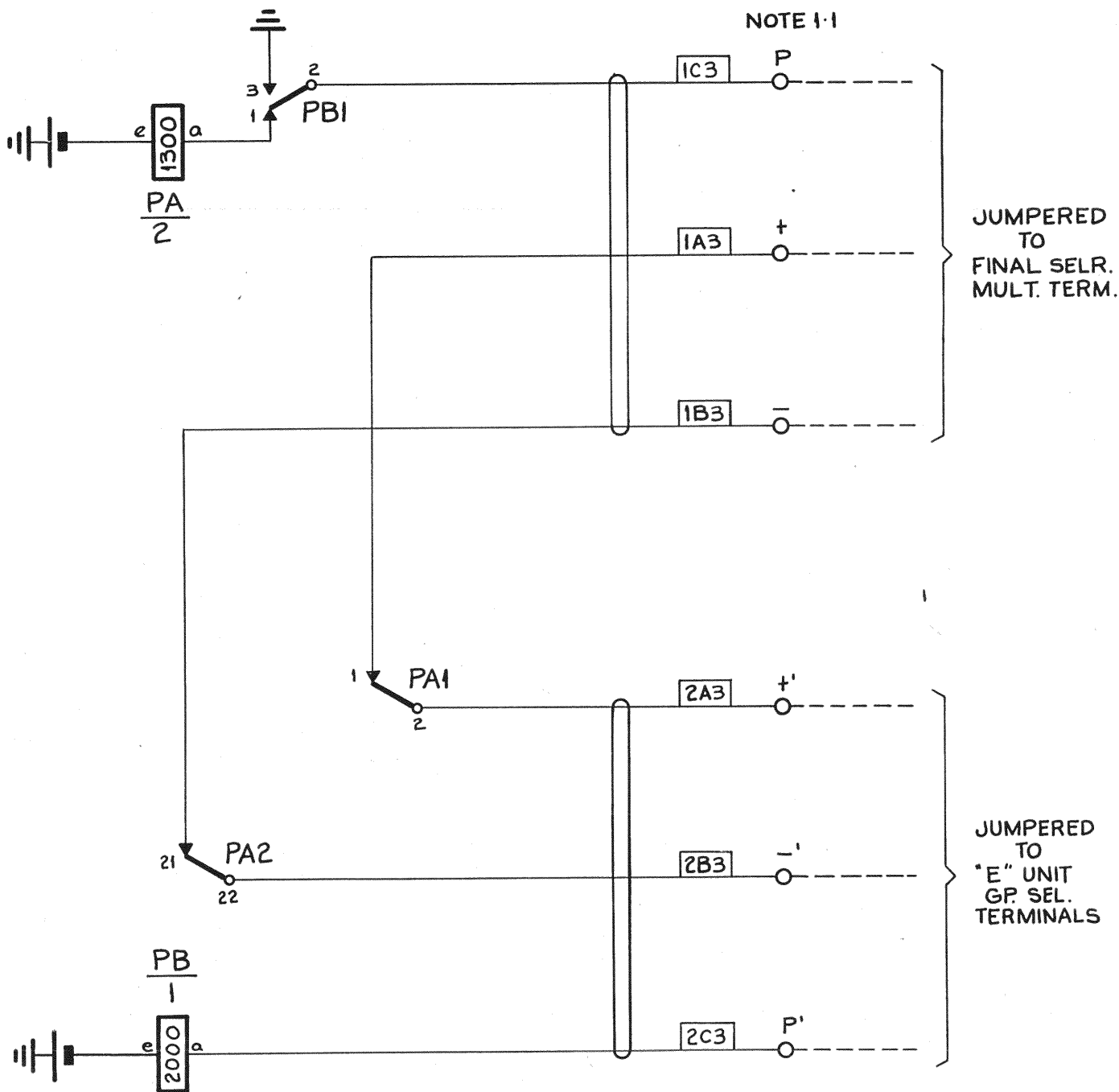


# U.A.X. "B" UNIT



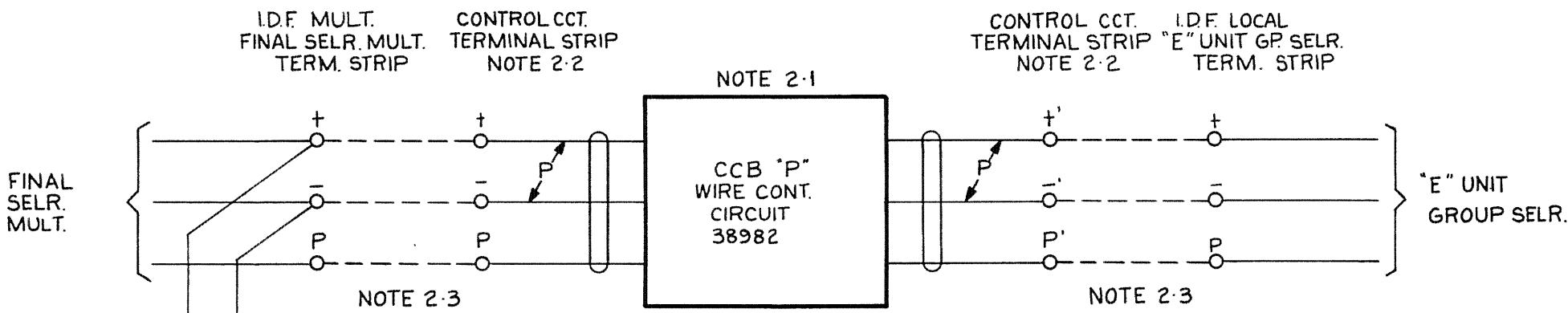
- NOTES:** 1-1 CONTROL CIRCUIT TERMINAL STRIP MOUNTED UAX "C" UNIT.  
 1-2 ALL WIRING TO BE 0.5mm UNLESS OTHERWISE SPECIFIED.  
 1-3 FUSING:- 1.5A PER 10 CIRCUITS.

BATT. V 0.7mm FUSE - 1B2 - PA<sub>e</sub> ETC (10 CCTS).

EARTH R 0.7mm EARTH BAR - 1A2 - PB<sub>z</sub> ETC. (10 CCTS.).

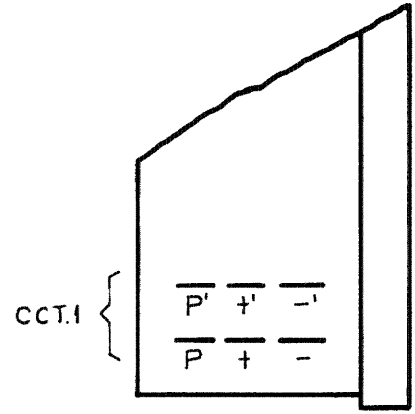
50V

DEL	CKD	APD	ORDER	DATE	ISS	CHANGE	N Z P O ENGINEER - IN - CHIEF, WELLINGTON	
P.E.	GRH	CJW	99703	23.3.73	A		"P" WIRE CONTROL CIRCUIT ADAPTER FOR CCB LINES CODE "O" DISCRIMINATION U.A.X.-G.C.X. (U.A.X. APPLICATION)	
							COY. NO	1 OF 4
							ORIGIN: T-EQPT	A4
							DWN: T-EQPT	TCD: P.E.
								38982



10

CCB  
"P"  
WIRE  
CONTR.  
38982  
1



TYPICAL MARKINGS FOR TERMINAL STRIP

- NOTES: 2-1 P WIRE CONTROL CIRCUIT MOUNTED "B" UNIT  
 2-2 TERMINAL STRIP MOUNTED "C" UNIT AS SPECIFIED  
 2-3 CAN BE CABLED DIRECT IF REQUIRED

"P" WIRE CONTROL CIRCUIT ADAPTER  
 FOR CCB LINES CODE "O" DISCRIMINATION  
 U.A.X.-G.C.X.  
 (U.A.X. APPLICATION)

DEL	CKD	APD	ORDER	DATE	ISS	CHANGE
PE	CRH	CJW	99703	23-3-73	A	

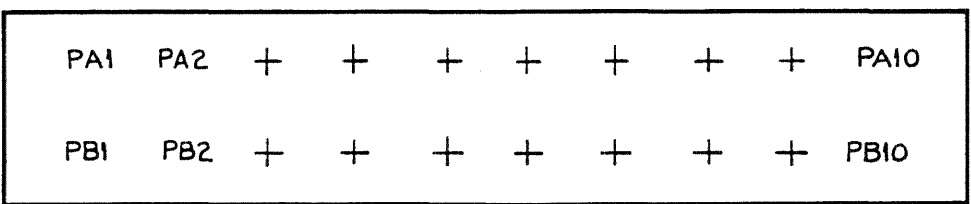
N Z P O	
ENGINEER-IN-CHIEF, WELLINGTON	
COY NO	ORIGIN: T-EQPT
2 OF 4	DRAWN: T-EQPT TRACED: P.E.
A4	38982

RELAY CODES AND COMPONENTS LIST

RELAY NAME	B.C.C. CODE	N.Z.P.O. CODE	B.P.O. CODE	COY CODE	NOTES	STOCK LIST NO	COMPONENT DESIGNATION	B.P.O. CODE	COY. CODE	NOTES	STOCK LIST NO	MISC. COMPONENTS	NOTES	STOCK LIST NO
PA	B6117					W.S.	MTG. PLATE	F151/20AH			LH661			
PB	2017					L97D								

**NOTES**  
A - SPECIAL FACTORS OF SAFETY B - SPECIAL ADJUST. C - CCT. POINTS OR MODS.

LAYOUT

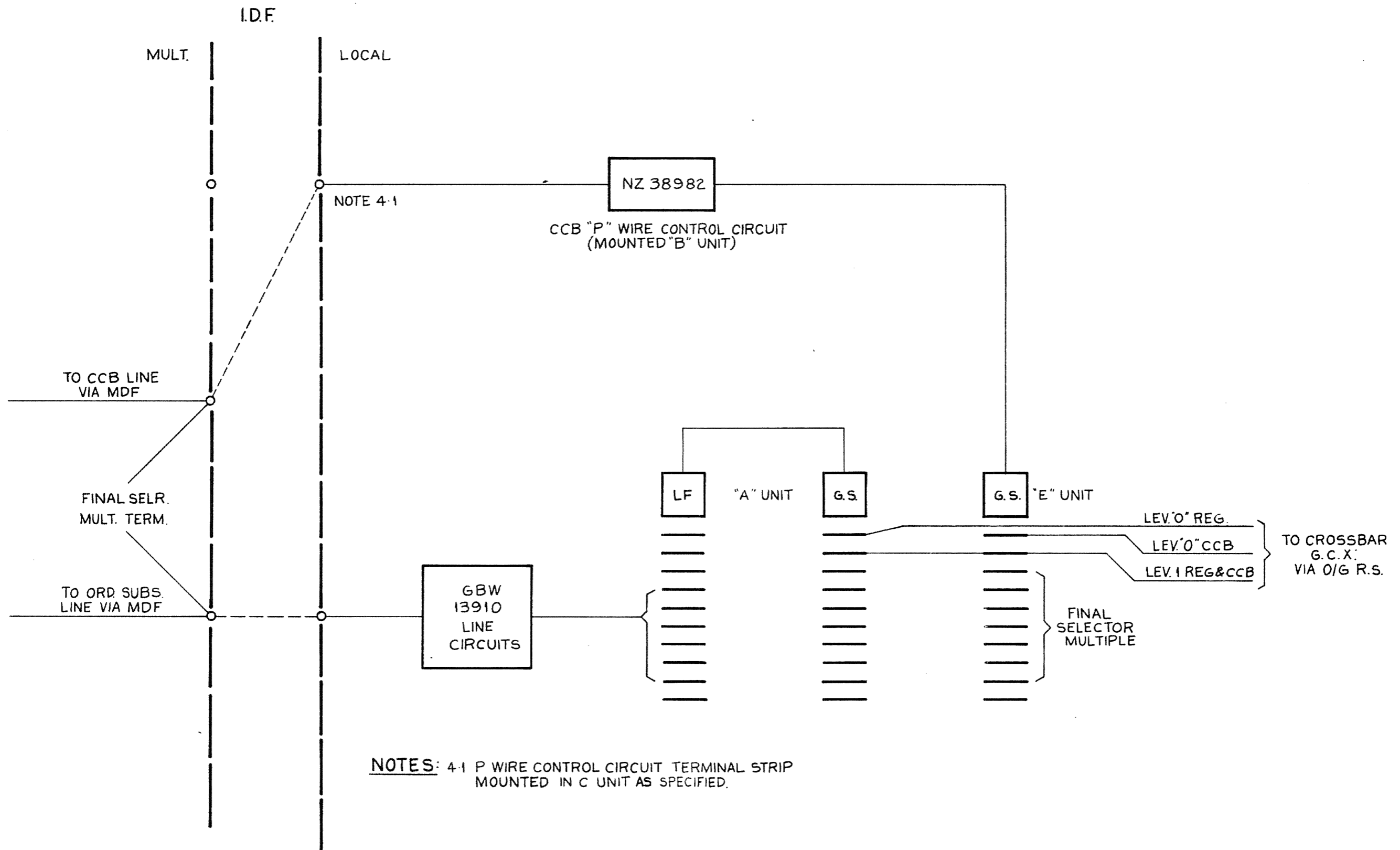


NOTE 3-1

NOTES:  
3-1 CIRCUITS TO BE MOUNTED IN UAX "B" UNIT.

<b>"P" WIRE CONTROL CIRCUIT ADAPTER  FOR CCB LINES CODE "O" DISCRIMINATION  U.A.X.-G.C.X.  (U.A.X. APPLICATION)</b>					DEL	CKD	APD	ORDER	DATE	ISS	CHANGE		N Z P O ENGINEER-IN-CHIEF WELLINGTON					
					PE.	GRH	CJW	99703	23-3-73	A			COY NO:		ORIGIN T-EQPT.			
													3 OF 4		DRAWN T-EQPT		TRACED: P.E.	
													A 3		38982			

MASTER TRACING 28433



NOTES: 4-1 P WIRE CONTROL CIRCUIT TERMINAL STRIP MOUNTED IN C UNIT AS SPECIFIED.

**P WIRE CONTROL CIRCUIT ADAPTER  
FOR CCB LINES CODE "O" DISCRIMINATION  
U.A.X.-G.C.X.  
(U.A.X. APPLICATION)**

DEL	CKD	APD	ORDER	DATE	ISS	CHANGE	NZPO ENGINEER-IN-CHIEF, WELLINGTON	
PE	GRH	CJW	99703	23-3-73	A		COY. N <sup>o</sup>	ORIGIN: T-EQPT
							4 OF 4	DRAWN: T-EQPT TRACED: P.E.
							A3	38982