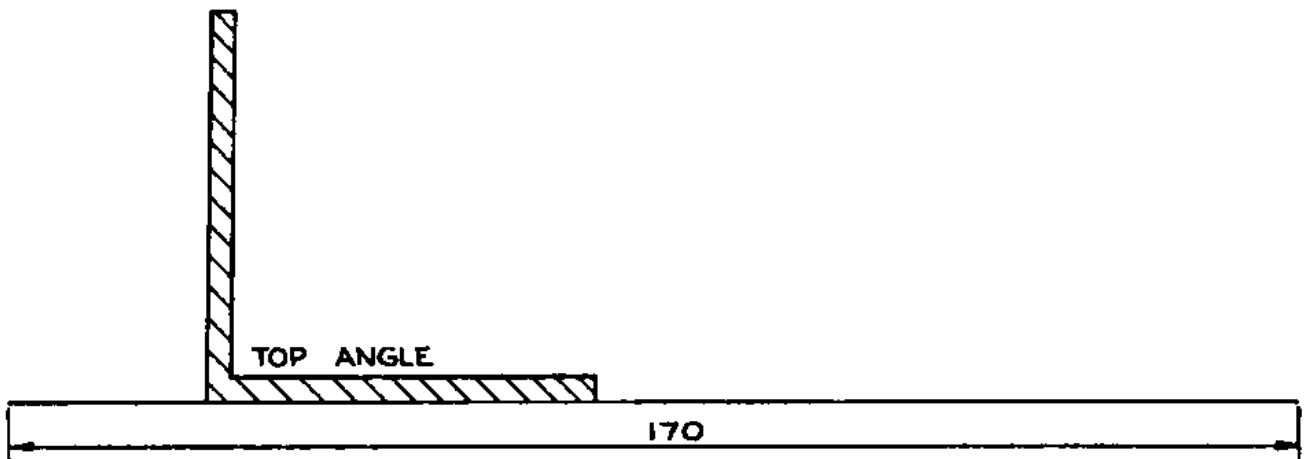
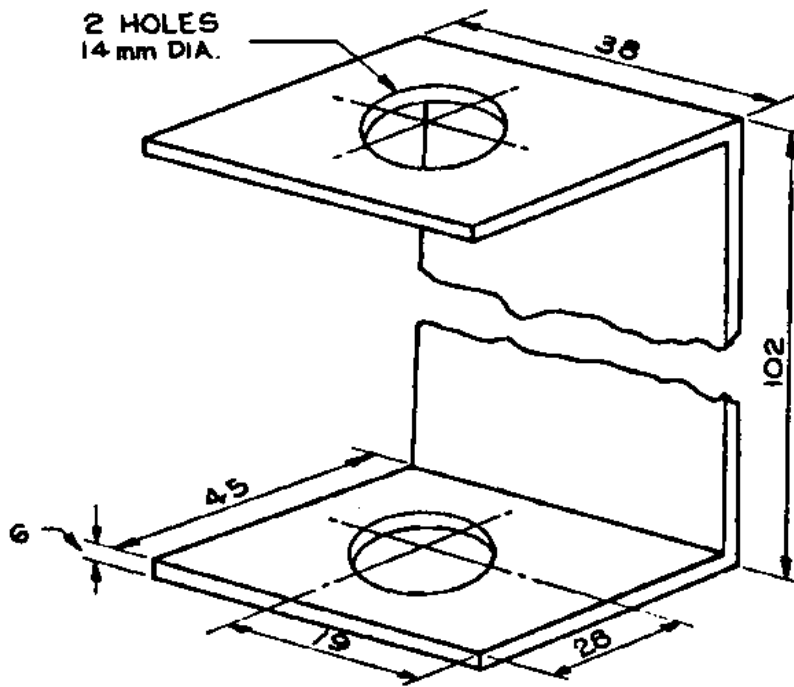


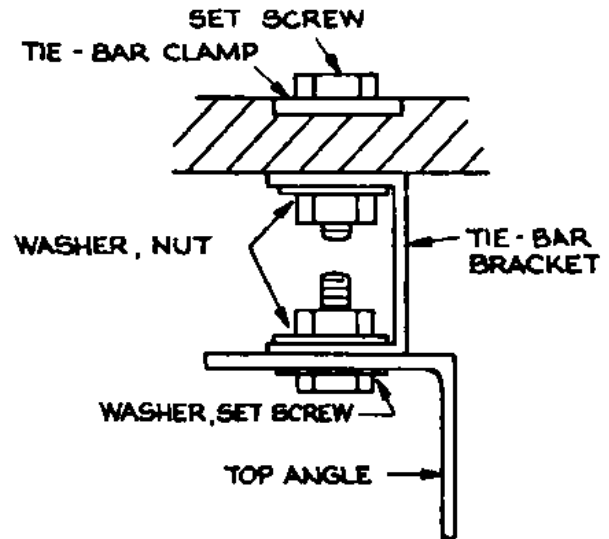
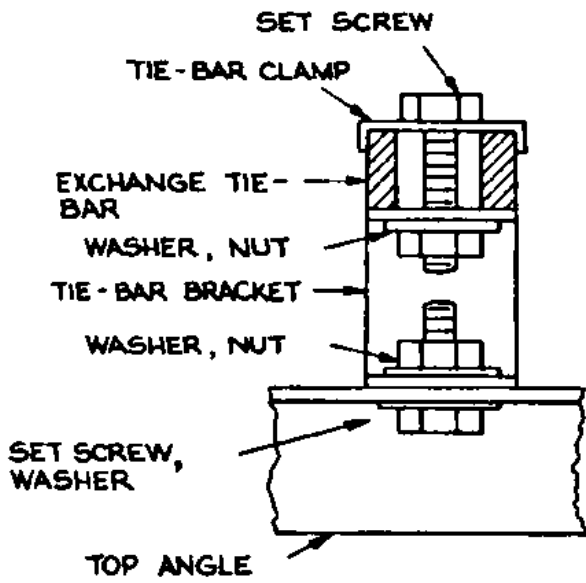
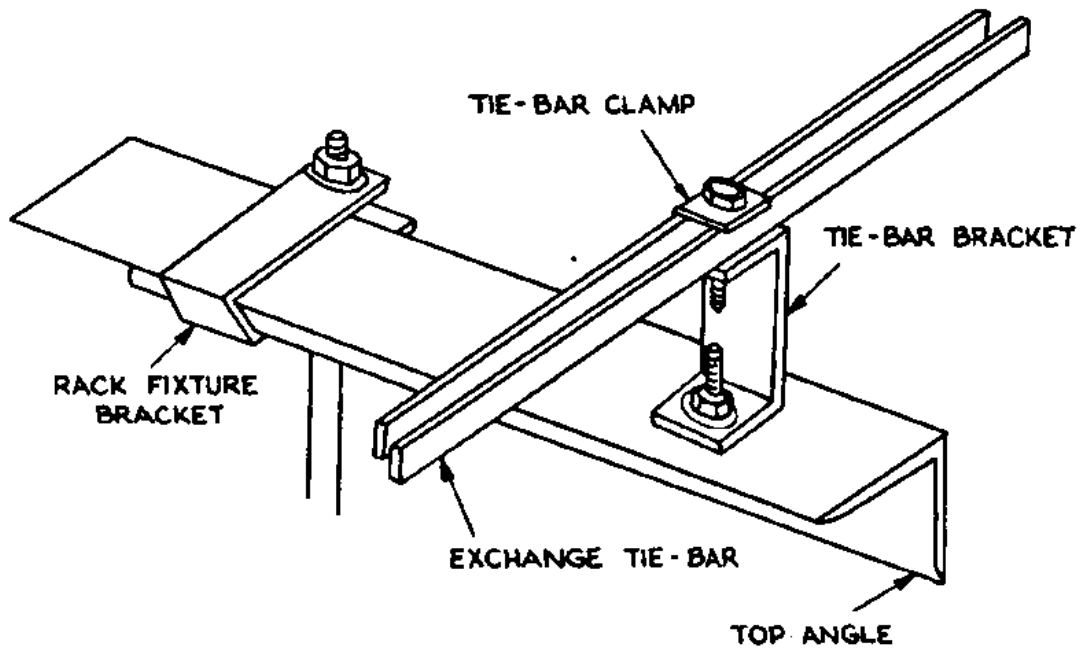
SHT No	SIZE	SUB-TITLE	ISSUE			
1	A4	EXCHANGE TIE - BAR BRACKET SIDE VIEW OF FLOOR MARKINGS WITH TOP ANGLE	A			
2	A4	RACK FIXTURE AND TIE - BAR BRACKET ARRANGEMENTS RACK TIE - BAR BRACKET ARRANGEMENTS	A			
3	A4	SUB - SECTION FUSING ARRANGEMENT FOR ANI RACKS	<del>A</del>	B		
4	A4	BATTERY JACK REAR MOUNTING PLATE K26 F BATTERY JACK FRONT MOUNTING PLATE K26 G	A			
5	A4	POWER CABLE ARRANGEMENTS FOR ANI RACKS BUS - BAR SEGMENT TERMINALS USED WITH POWER CABLE	A			
6	A4	POWER CABLE TERMINATION ON BUS - BAR	<del>A</del>	B		
7	A4	IDEF STRAPPING ARRANGEMENTS FOR 2-10 PBX SUBSCRIBERS	<del>A</del>	B		
8	A4	IDEF STRAPPING ARRANGEMENTS FOR 11-20 PBX SUBSCRIBERS STRAPPING METHODS - CC BLOCKS STRAPPING METHODS BETWEEN CC PANELS	A			
9	A4	METHOD OF INTER - RACK STRAPPING CL BLOCK ARRANGEMENTS	A			
10	A4	IDEF STRAPPING ARRANGEMENTS (CLASS OF SERVICE) TEST ARRANGEMENT FOR IDEF	A			
11	A4	ANI EQUIPMENT IN AN EXISTING ROW ANI EQUIPMENT IN A NEW ROW	A			
12	A4	ANI EQUIPMENT SEPARATED BY A PILLAR OR OTHER OBSTRUCTION ANI EQUIPMENT REMOTE FROM SWITCHROOM	A			
13	A4	ANI EQUIPMENT REMOTE FROM STEP SWITCHROOM	A			
14	A4	IDF AND MDF BLOCK DESIGNATIONS	A			
15	A4	GENERALISED TRUNKING DIAGRAM - ANI EQUIPMENT IN STEP EXCHANGES	A			
16	A4	ALTERNATIVE METHODS OF CABLING ANI TRKF (FIGS. 1 & 2)	A			
17	A4	ALTERNATIVE METHODS OF CABLING ANI TRKF (FIG. 3)	A			

NOTES

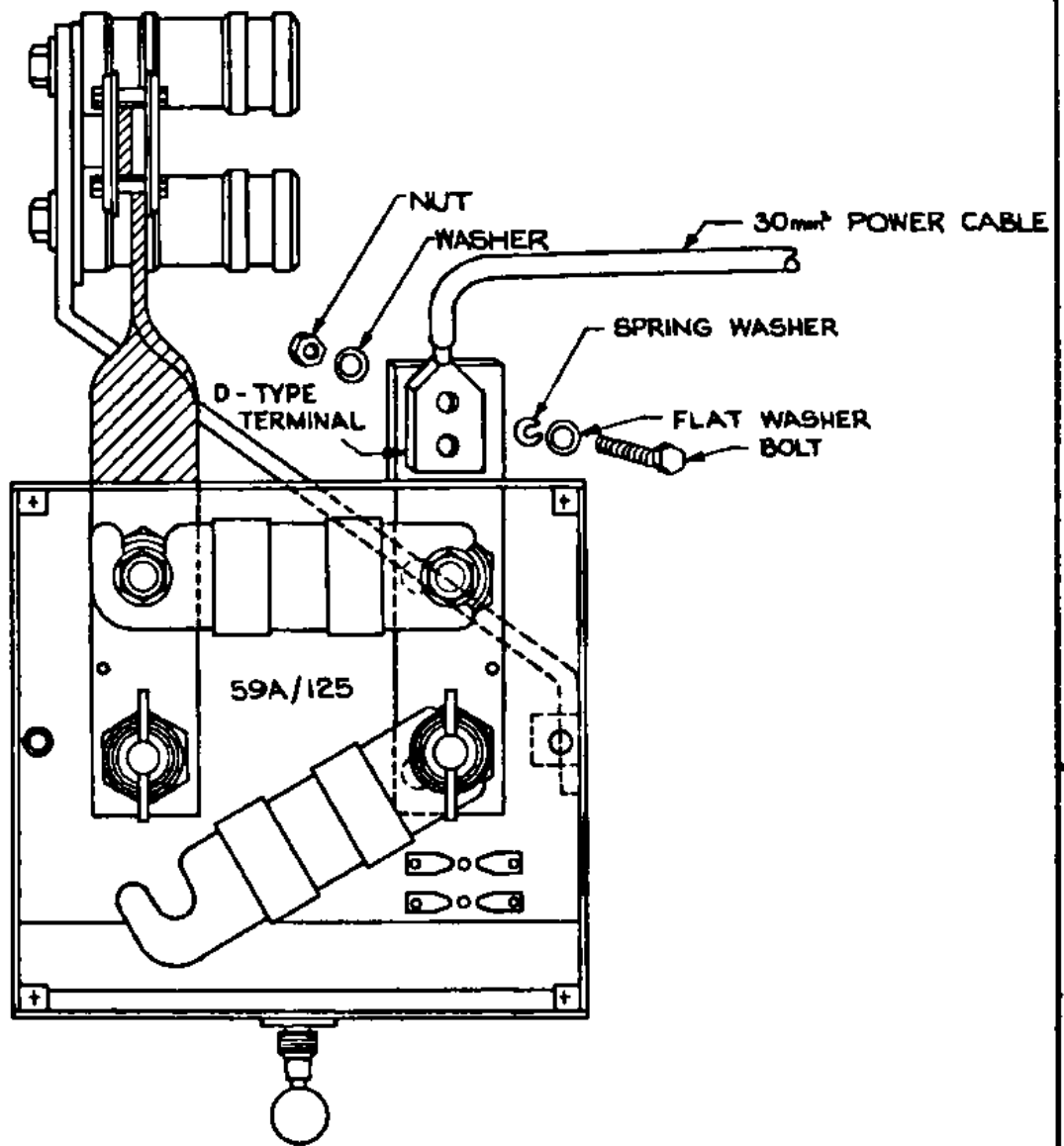
DEL	CKD	APD	ORDER	DATE	ISS	CHANGE	N.Z.P.O. ENGINEER-IN-CHIEF, WELLINGTON	
K.H.	B.M.P.	H	122991	15.6.74	A		<b>INSTALLATION OF NA 200 TYPE ANI EQUIPMENT IN 2000 TYPE EXCHANGES (FOR I.S. 1190) (INDEX SHEET)</b>	
K.M.	B.M.P.	ADH	68265	9.7.75	B	SHT 2 AMENDED, SHT 16 ADDED		
A.B.	B.M.P.	ADH	55590	5.2.76	C	SHT 3, 6 AMENDED		
A.J.M.	P.R.H.	G.C.G.	54426	30.11.84	D	SHT. 17 ADDED		
							COY. NO.:	IND
							ORIGIN: T-EQPT.	A4
							DWN: T-EQPT. TCD: K.H.	<b>38829</b>



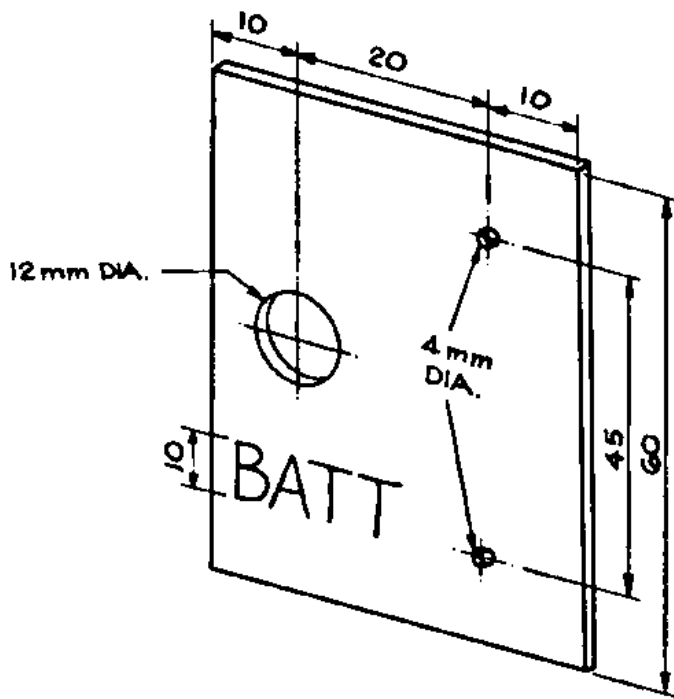
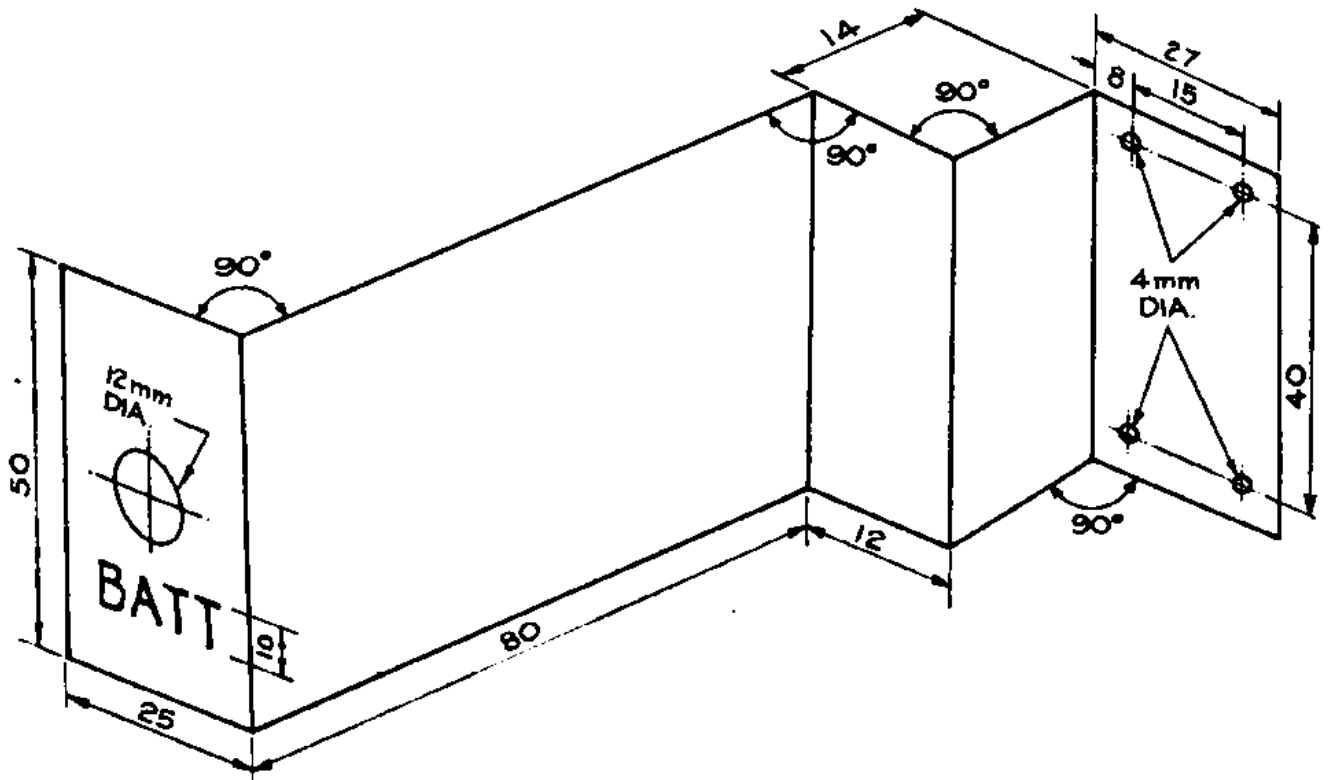
DATE	ISS	CHANGE	N Z P O ENGINEER - IN - CHIEF, WELLINGTON	
15 6 74	A		INSTALLATION OF NA 200 TYPE A.N.I. EQUIPMENT IN 2000 TYPE EXCHANGES	
			(FOR I.S. 1190)	
			COY. NO	SHT 1
			ORIGIN : T - EQPT	A4
			DWN: T - EQPT	TCD: K.H.
				38829



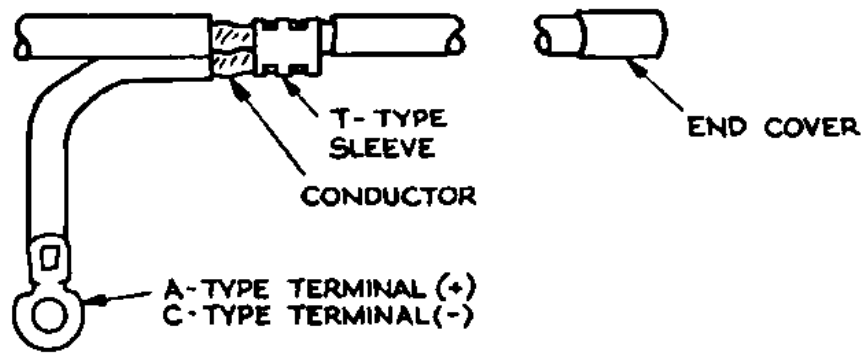
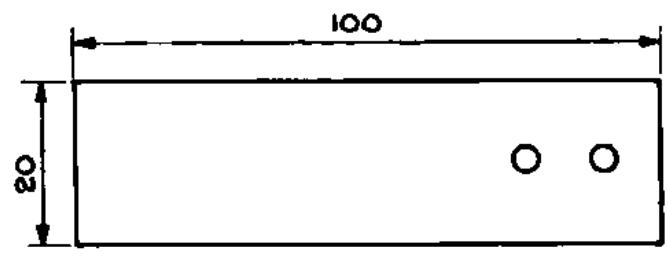
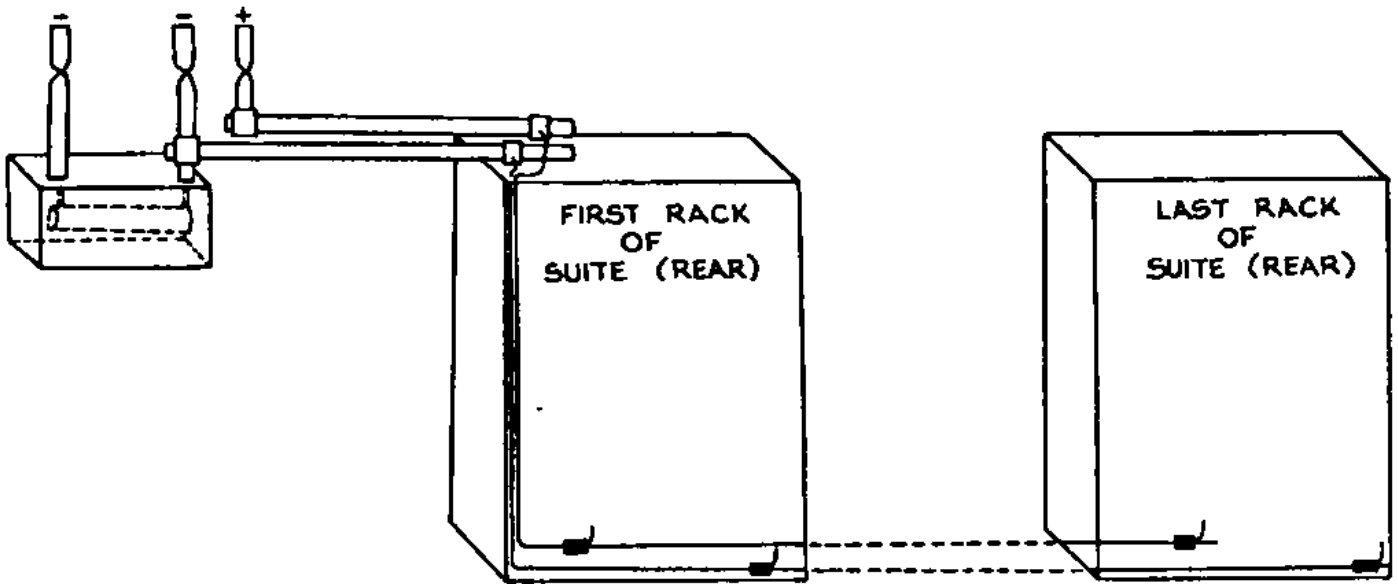
DATE	ISS	CHANGE	N Z P O ENGINEER - IN - CHIEF, WELLINGTON.
15.8.74	A		INSTALLATION OF NA 200 TYPE A.N.I. EQUIPMENT IN 2000 TYPE EXCHANGES (FOR I.S. 1190)
			COY. NR
			ORIGIN : T - EQPT.
			DWN: T-EQPT TCD: K.H.
			SMT 2
			A4
			38829



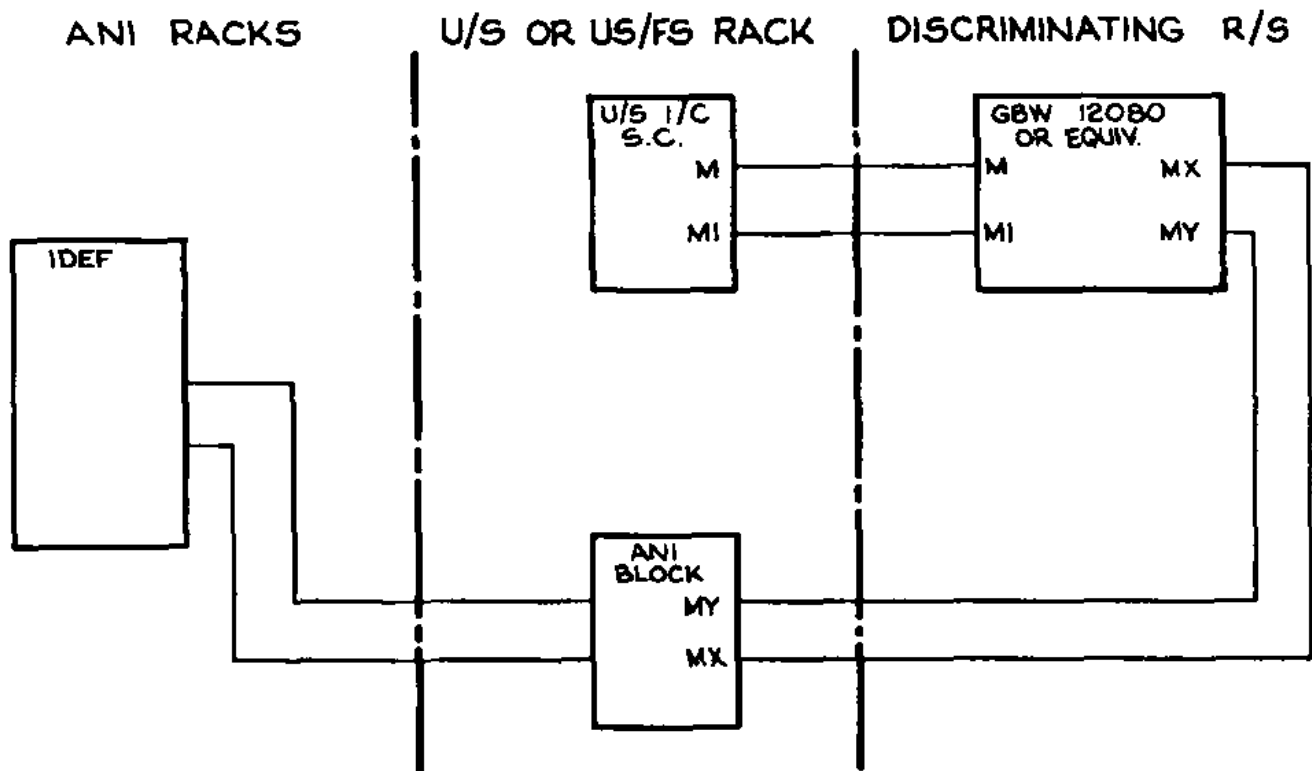
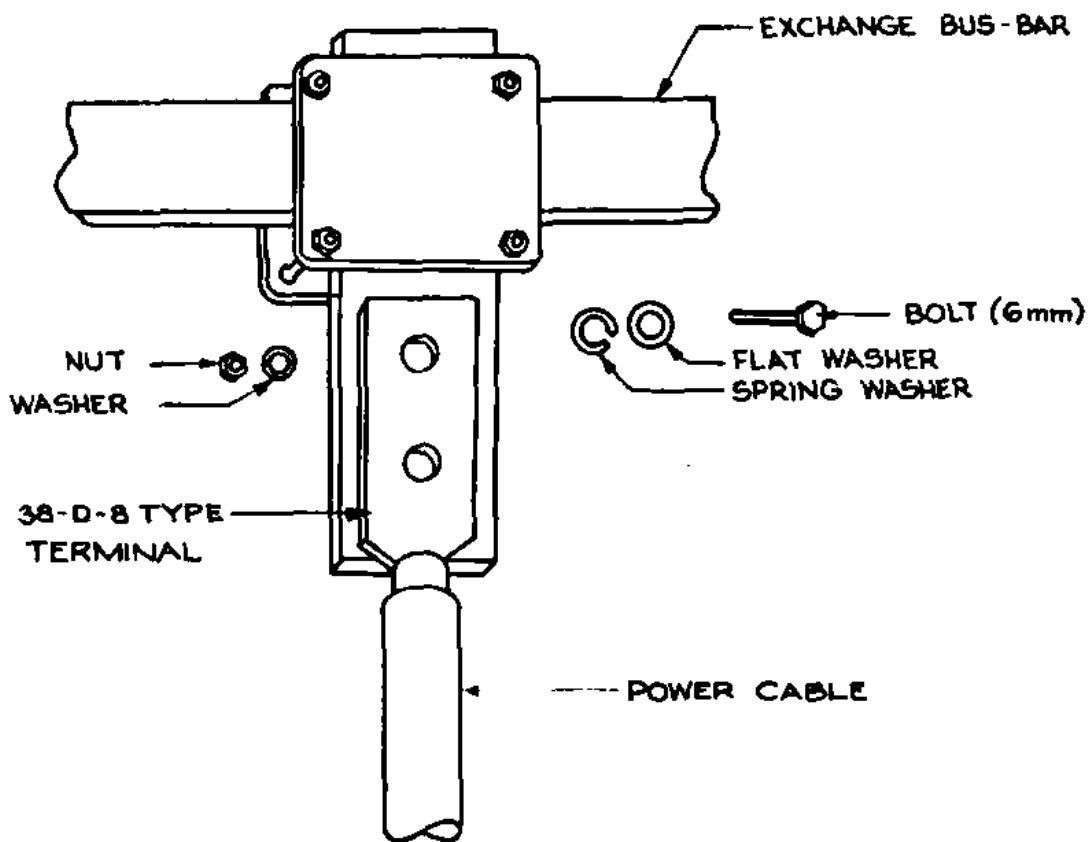
DATE	ISS	CHANGE	N Z P O ENGINEER-IN-CHIEF, WELLINGTON
15.8.74	A		INSTALLATION OF NA 200 TYPE A.N.I. EQUIPMENT IN 2000 TYPE EXCHANGES  (FOR I.S. 1190)
5.2.76	B	TERMINAL TYPE CHANGED	
			COY. NO
			SHT 3
			ORIGIN: T-EQPT.
			DOWN: T-EQPT. TCD: K.H.
			A4
			38829



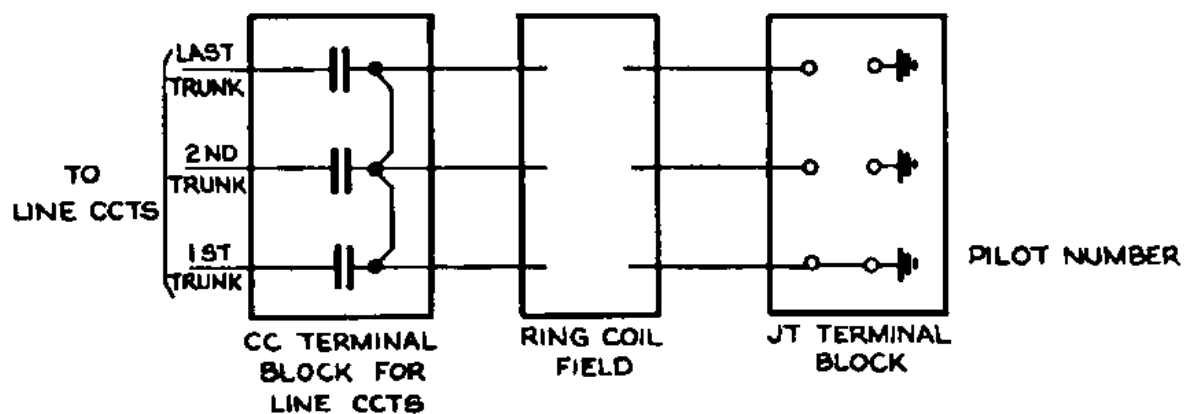
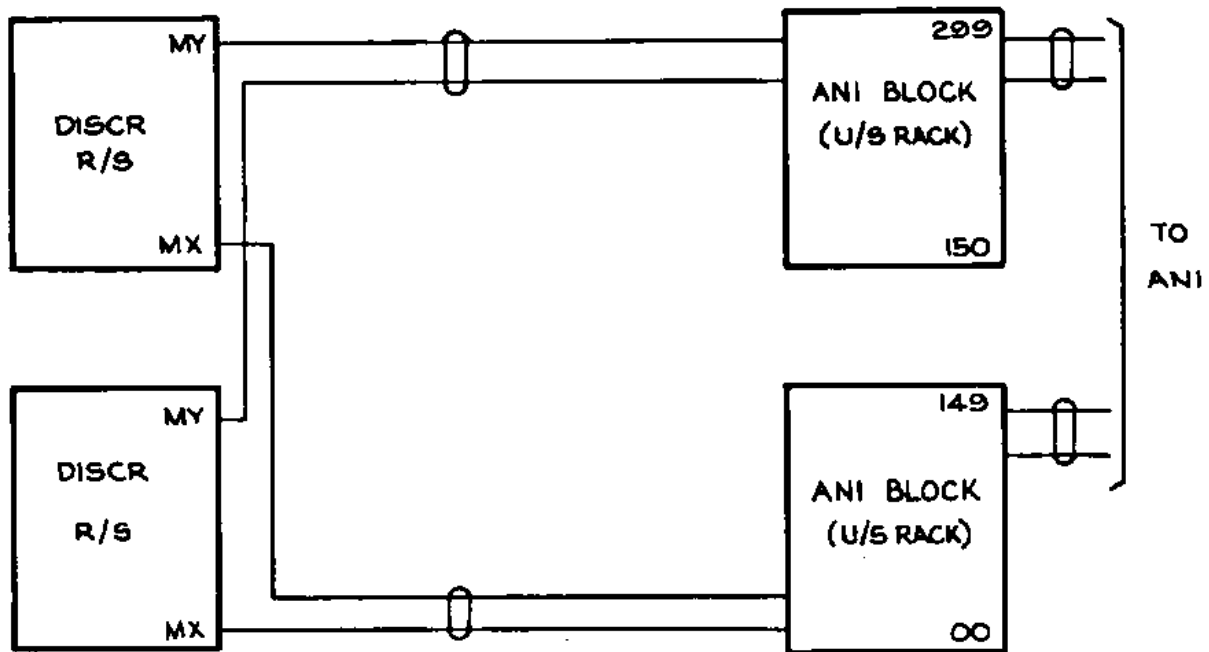
DATE	ISS	CHANGE	N Z P O ENGINEER-IN-CHIEF, WELLINGTON
15-8-74	A		INSTALLATION OF NA 200 TYPE A.N.I. EQUIPMENT IN 2000 TYPE EXCHANGES
			(FOR I. S. 1190)
		COY. NO	SHT 4
		ORIGIN: T-EQPT.	A4
		DWN: T-EQPT TCD: K.H.	38829



DATE	ISS	CHANGE	N Z P O ENGINEER - IN - CHIEF, WELLINGTON
15-8-74	A		INSTALLATION OF NA 200 TYPE A.N.I. EQUIPMENT IN 2000 TYPE EXCHANGES
			(FOR I.S. 1190)
			COY. NR
			ORIGIN: T-EQPT.
			DWN: T-EQPT, TCD: K.H.
			SMT 5
			A4
			38829

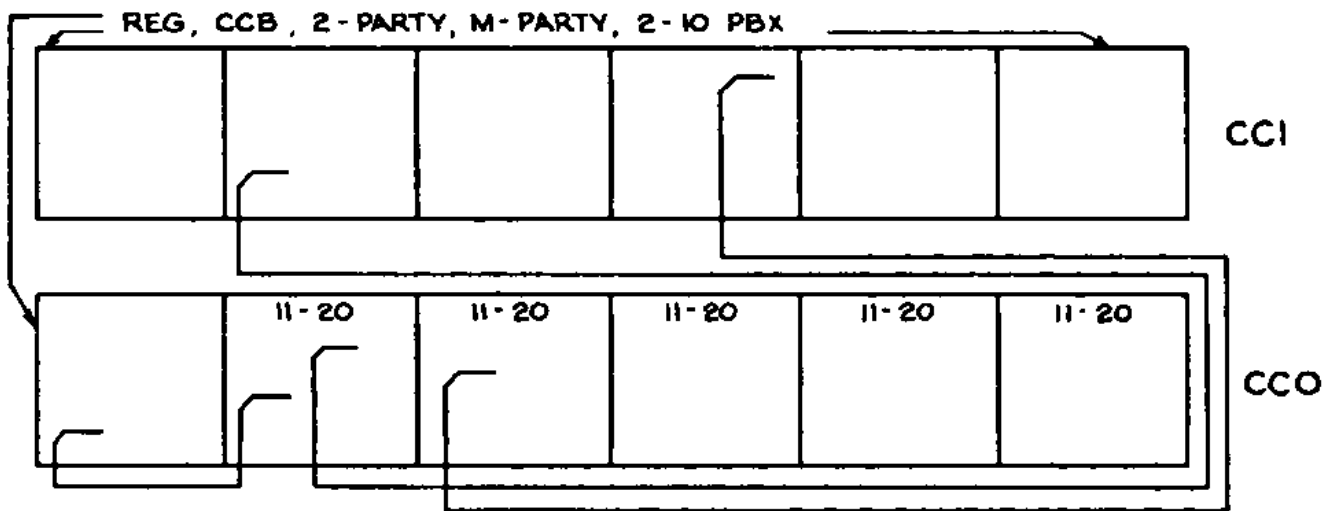
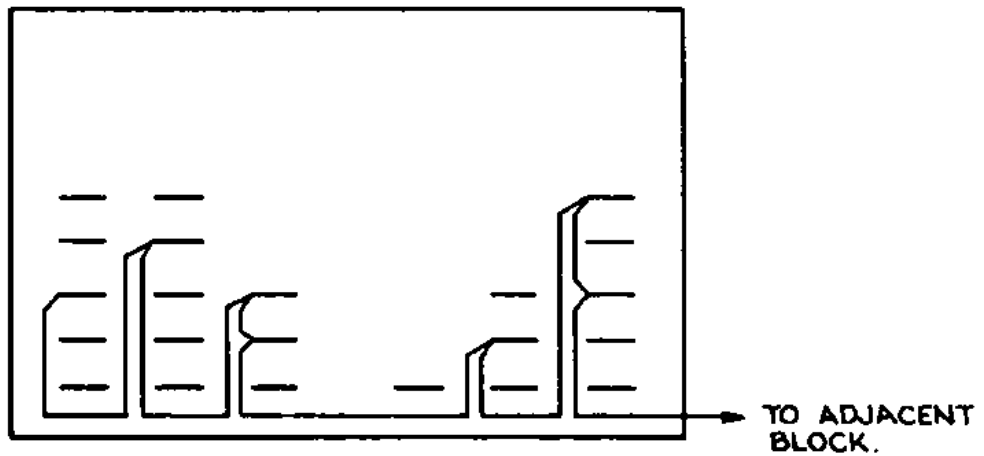
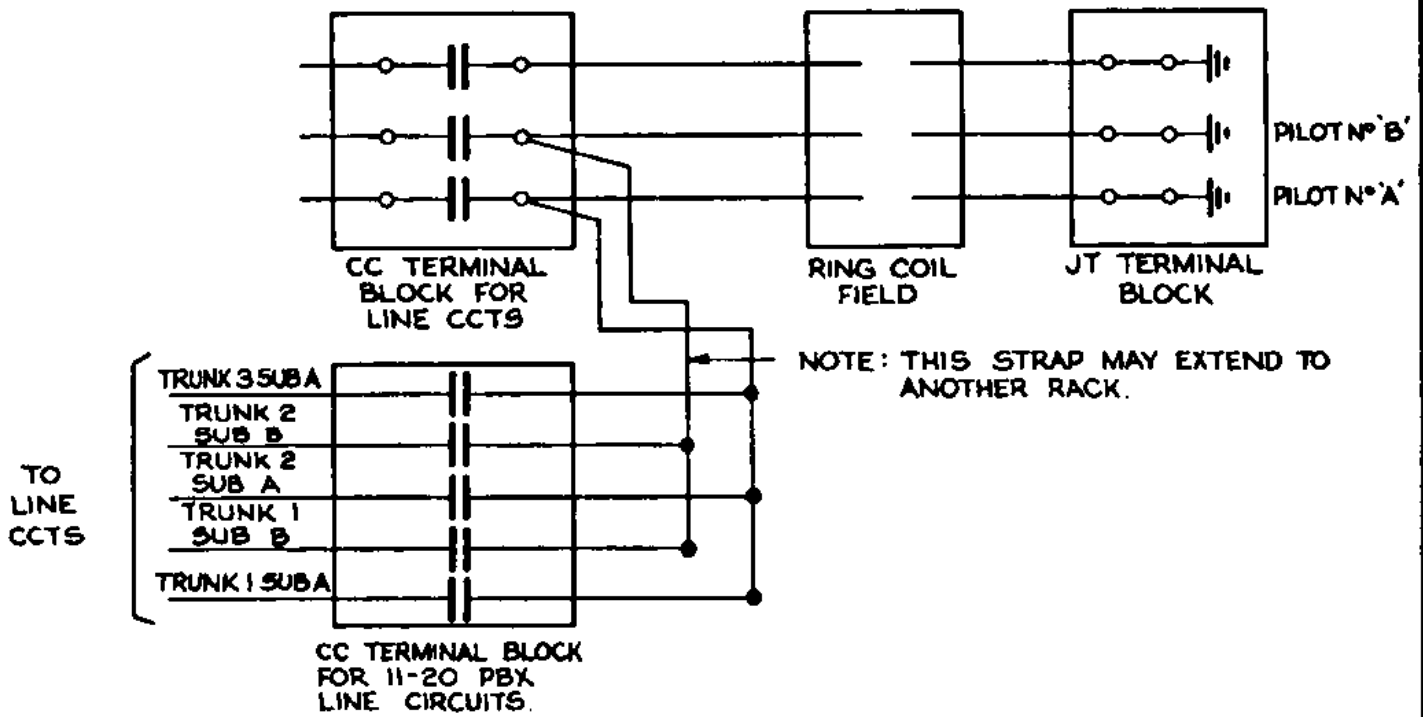


DATE	195	CHANGE	N Z P O ENGINEER - IN - CHIEF, WELLINGTON
15-8-74	A	TERMINAL TYPE CHANGED	INSTALLATION OF NA 200 TYPE A.N.I. EQUIPMENT IN 2000 TYPE EXCHANGES  (FOR I.S. 1190)
15-2-76	B		
COY. NO.		SHT	6
ORIGIN: T - EQPT.		38829	
DWN:T-EQPT TCD: K.H.			
		A4	

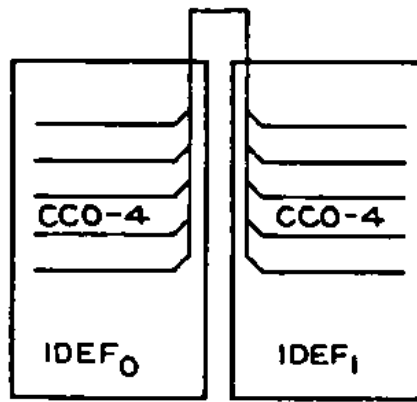


DATE	ISS	CHANGE	N Z P O ENGINEER - IN - CHIEF, WELLINGTON
15.8.74	A		INSTALLATION OF NA 200 TYPE A.N.I. EQUIPMENT IN 2000 TYPE EXCHANGES (FOR I.S. 1190)
9.7.75	B	ANI BLOCK DESIGNATION AMENDED.	
			COY. NO
			ORIGIN: T-EQPT.
			DWN T-EQPT TCD: K.H.
			SHT 7
			A4
			38829

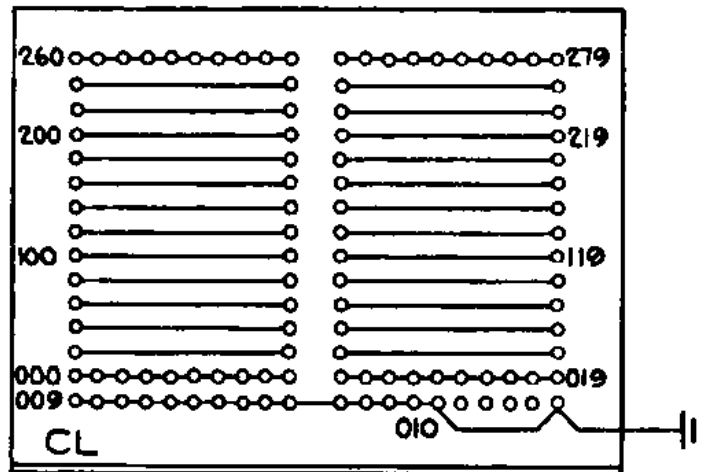




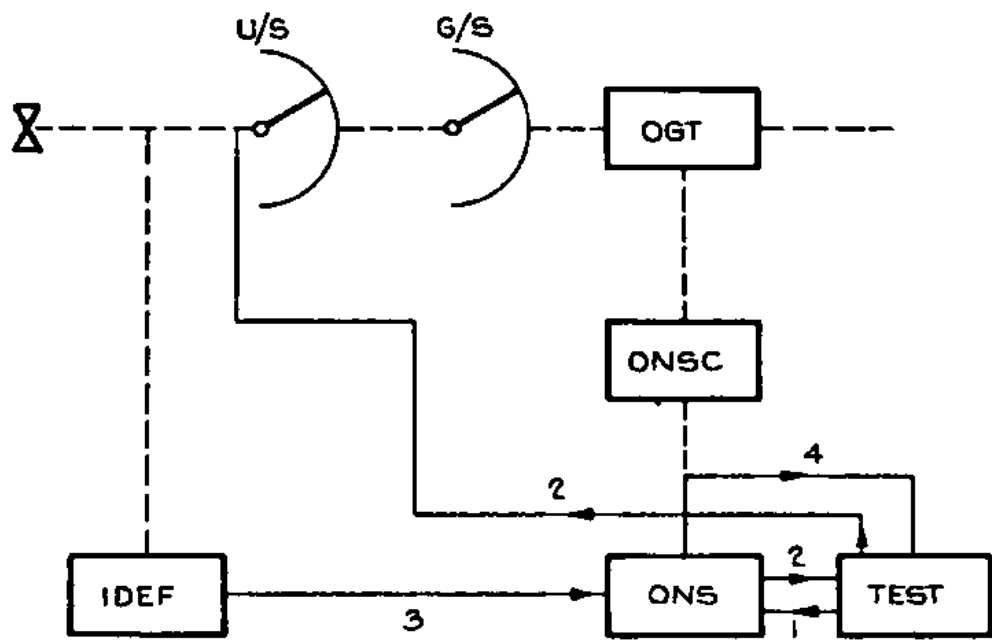
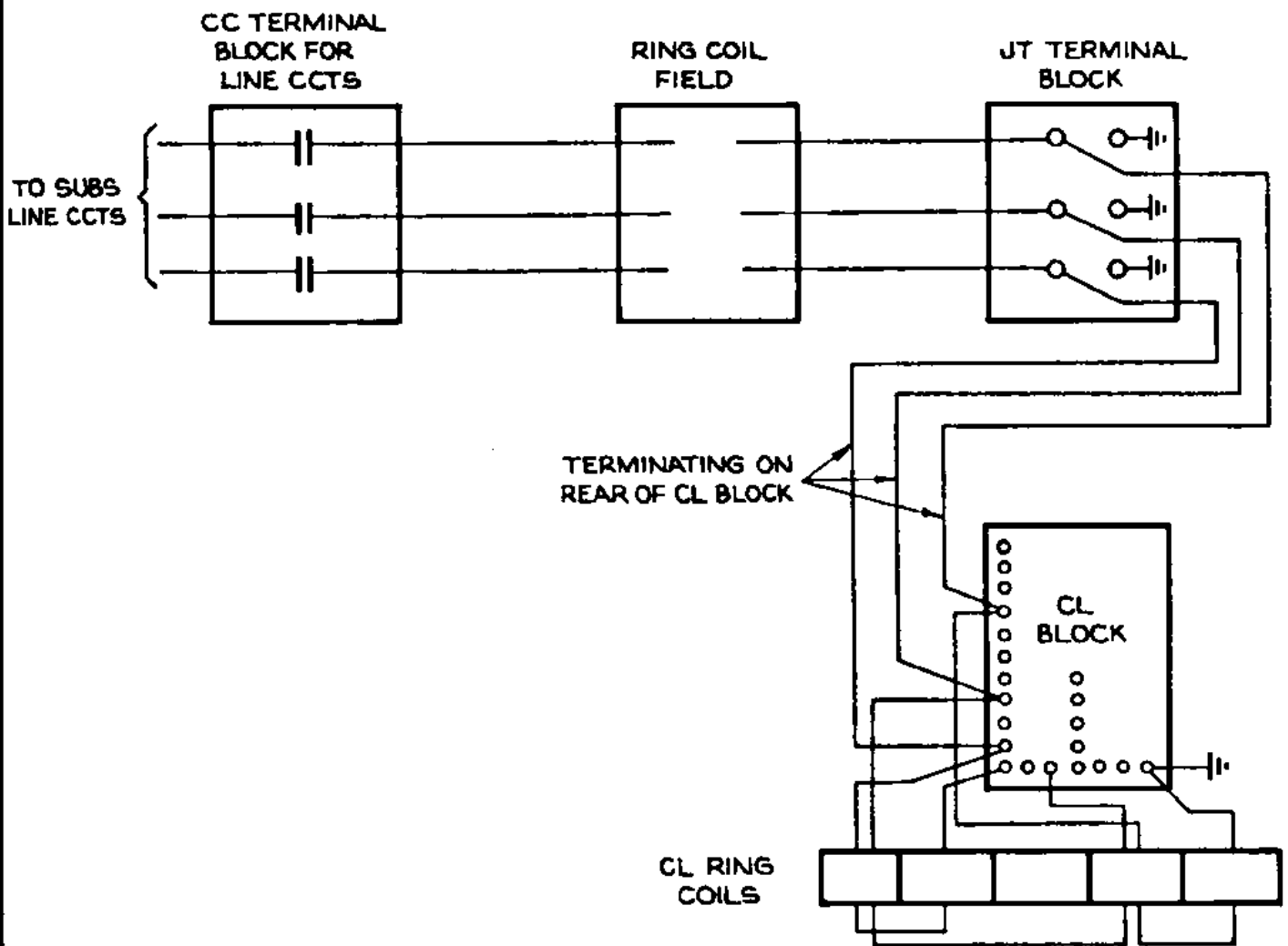
DATE	ISS	CHANGE	N Z P O ENGINEER - IN - CHIEF, WELLINGTON	
15.8.74	A		INSTALLATION OF NA 200 TYPE A.N.I. EQUIPMENT IN 2000 TYPE EXCHANGES	
			(FOR I.S. 1190)	
			COY. NO	SHT 8
			ORIGIN: T-EQPT.	A4
			DWN: T-EQPT	TCD: K.H.
				38829



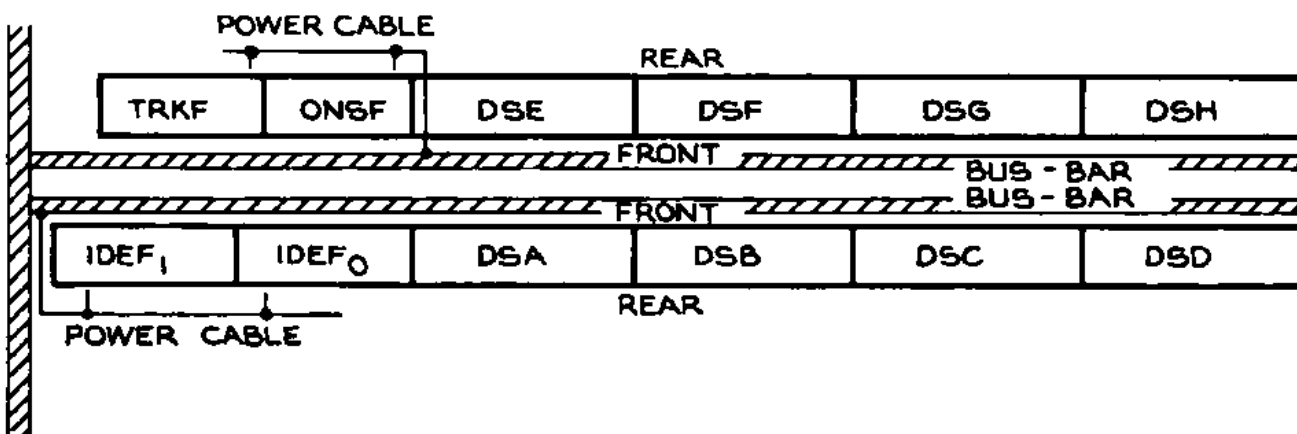
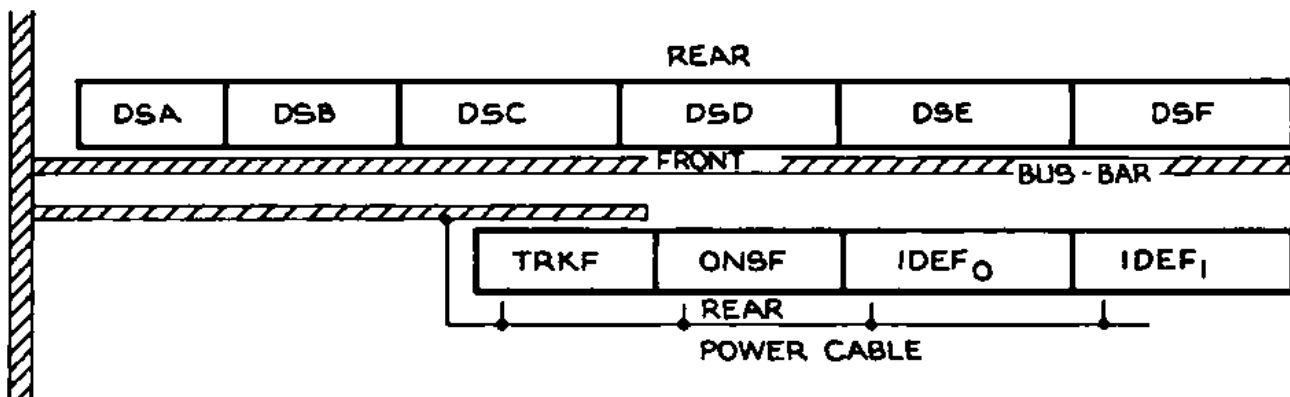
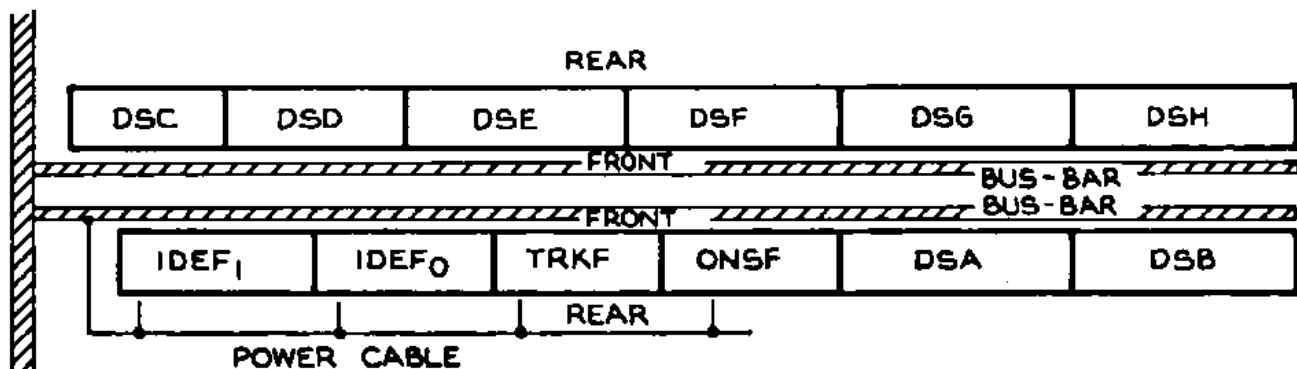
CLASS OF SERVICE	TERMINAL	
	CL	CLG
1	000 ~ 009	00
2	010 ~ 019	01
3	020 ~ 029	02
15	140 ~ 149	14
SPARE	150 ~ 159	
SPARE	160 ~ 169	
SPARE	270 ~ 279	



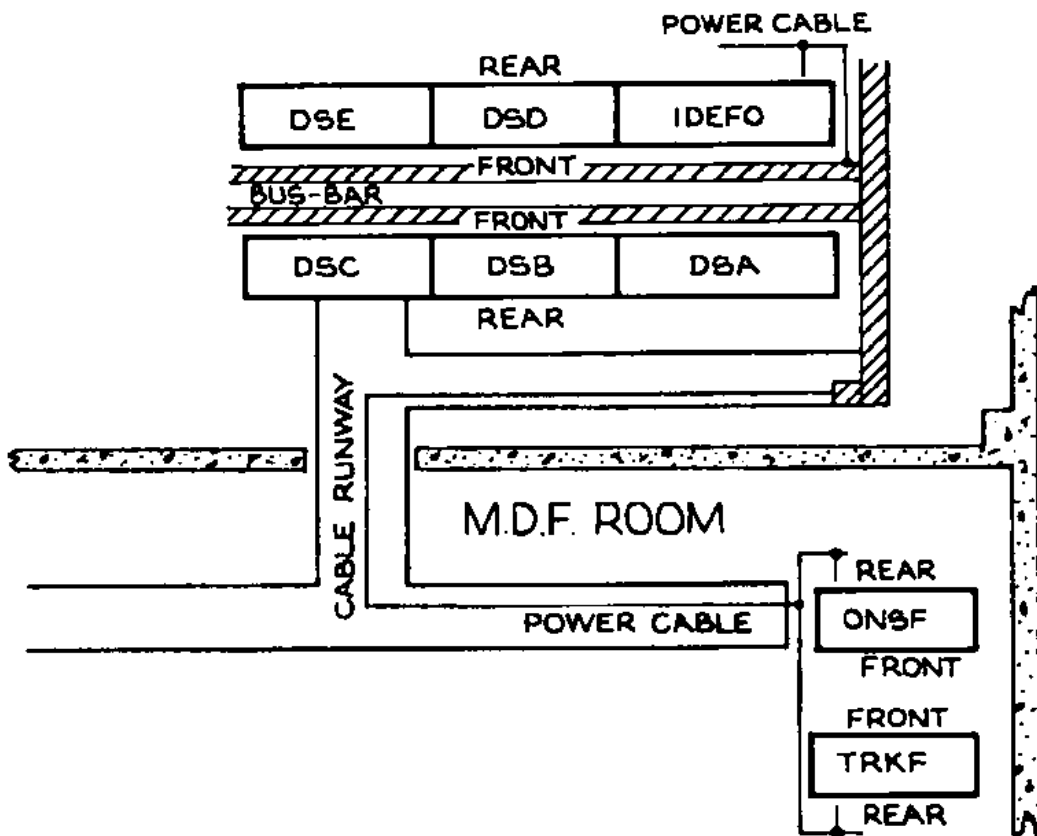
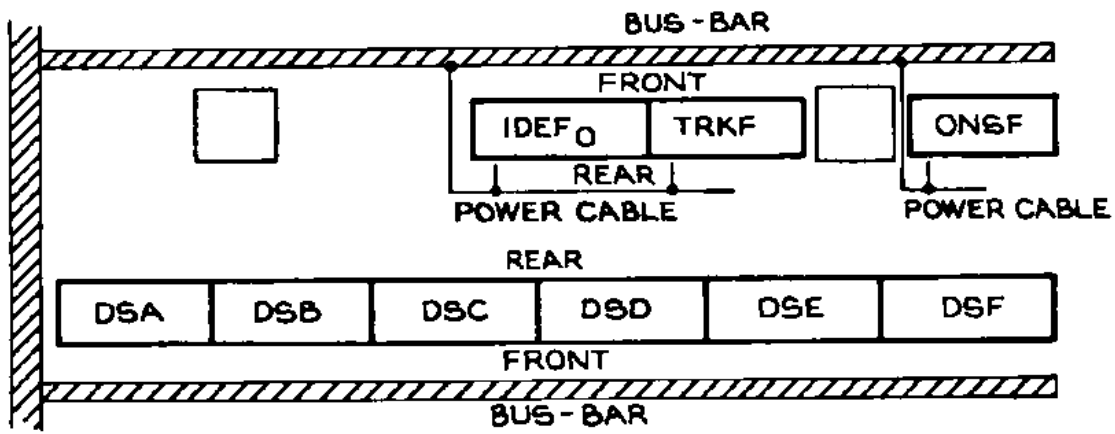
DATE	ISS	CHANGE	N Z P O. ENGINEER-IN-CHIEF, WELLINGTON.	
15 8 74	A		INSTALLATION OF NA200 TYPE A.N.I. EQUIPMENT IN 2000 TYPE EXCHANGES (FOR I.S. 1190)	
			COY. NO	SHT. 9
			ORIGIN: T-EQPT.	A4
			DWN: T-EQPT	TCD: KH.
				38829



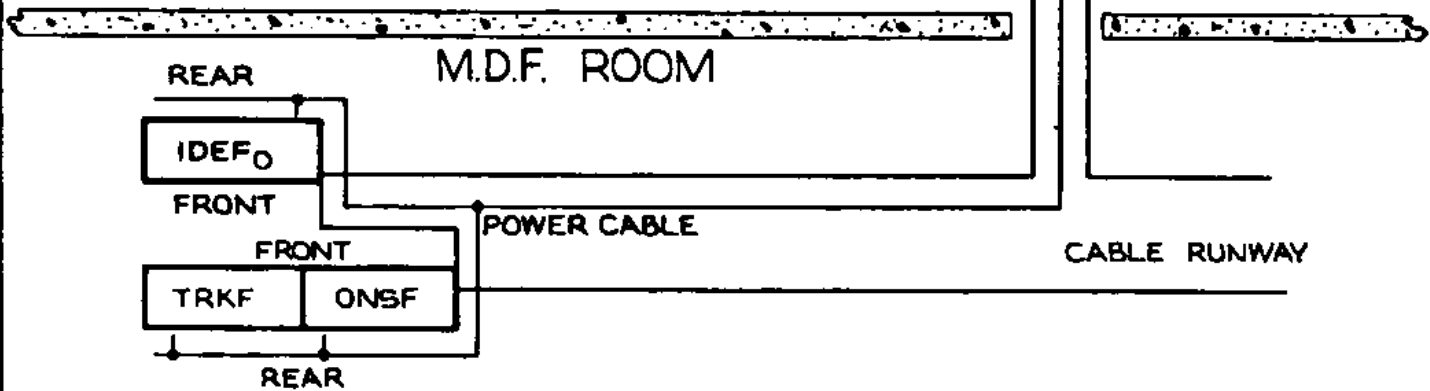
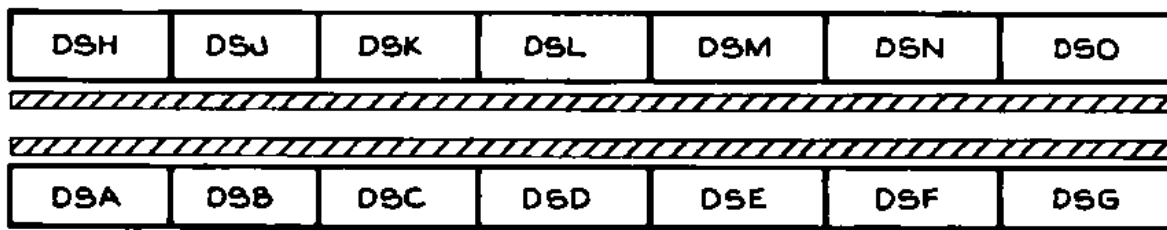
DATE	ISS	CHANGE	N Z P O. ENGINEER-IN-CHIEF, WELLINGTON.
13 8 74	A		INSTALLATION OF NA200 TYPE A.N.I. EQUIPMENT IN 2000 TYPE EXCHANGES (FOR I.S.1190)
			COY. N2
			ORIGIN: T-EQPT
			DOWN: T-EQPT TCD: KH.
			SHT. 10
			A4
			38829



DATE	ISS	CHANGE	N Z P O ENGINEER-IN-CHIEF, WELLINGTON.	
15.8.74	A		INSTALLATION OF NA200 TYPE A.N.I. EQUIPMENT IN 2000 TYPE EXCHANGES (FOR I.S. 1190)	
			COY. NO	SHT. 11
			ORIGIN: T-EQPT	38829
			OWN: T-EQPT TCD: KH.	
				A4

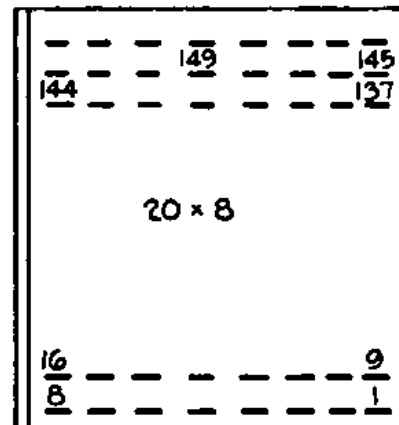


DATE	ISS	CHANGE	N Z P O. ENGINEER-IN-CHIEF, WELLINGTON.	
15 8 74	A		INSTALLATION OF NA200 TYPE A.N.I. EQUIPMENT IN 2000 TYPE EXCHANGES (FOR I.S. 1190)	
			COY. N2	SMT. 12
			ORIGIN: T-EQPT.	A4
			DWN: T-EQPT	TCD: KH
				38829



299  
 I D E F  
 M Y  
 L E A D S  
 150

149  
 I D E F  
 M X  
 L E A D S  
 00



DATE	1955	CHANGE	N Z P O. ENGINEER-IN-CHIEF, WELLINGTON.
15-8-74	A		INSTALLATION OF NA200 TYPE A.N.I. EQUIPMENT IN 2000 TYPE EXCHANGES (FOR I.S.1190)
			COY. NO
			ORIGIN: T-EQPT.
			DOWN: T-EQPT. TCD: KH
			SHT. 13
			A4
			38829

143  
L  
O  
O  
O  
T  
T  
R  
R  
K  
K  
F  
F  
I  
112

111  
L  
O  
O  
O  
T  
T  
R  
R  
K  
K  
F  
F  
I  
72

71  
L  
O  
O  
O  
T  
T  
R  
R  
K  
K  
F  
F  
O  
40

39  
L  
O  
O  
O  
T  
T  
R  
R  
K  
K  
F  
F  
O  
0

39  
C B A C B A  
20x6  
0 C B A C B A

I.D.F. LOC.

143  
L  
O  
O  
O  
T  
T  
R  
R  
K  
K  
F  
F  
I  
112

111  
L  
O  
O  
O  
T  
T  
R  
R  
K  
K  
F  
F  
I  
72

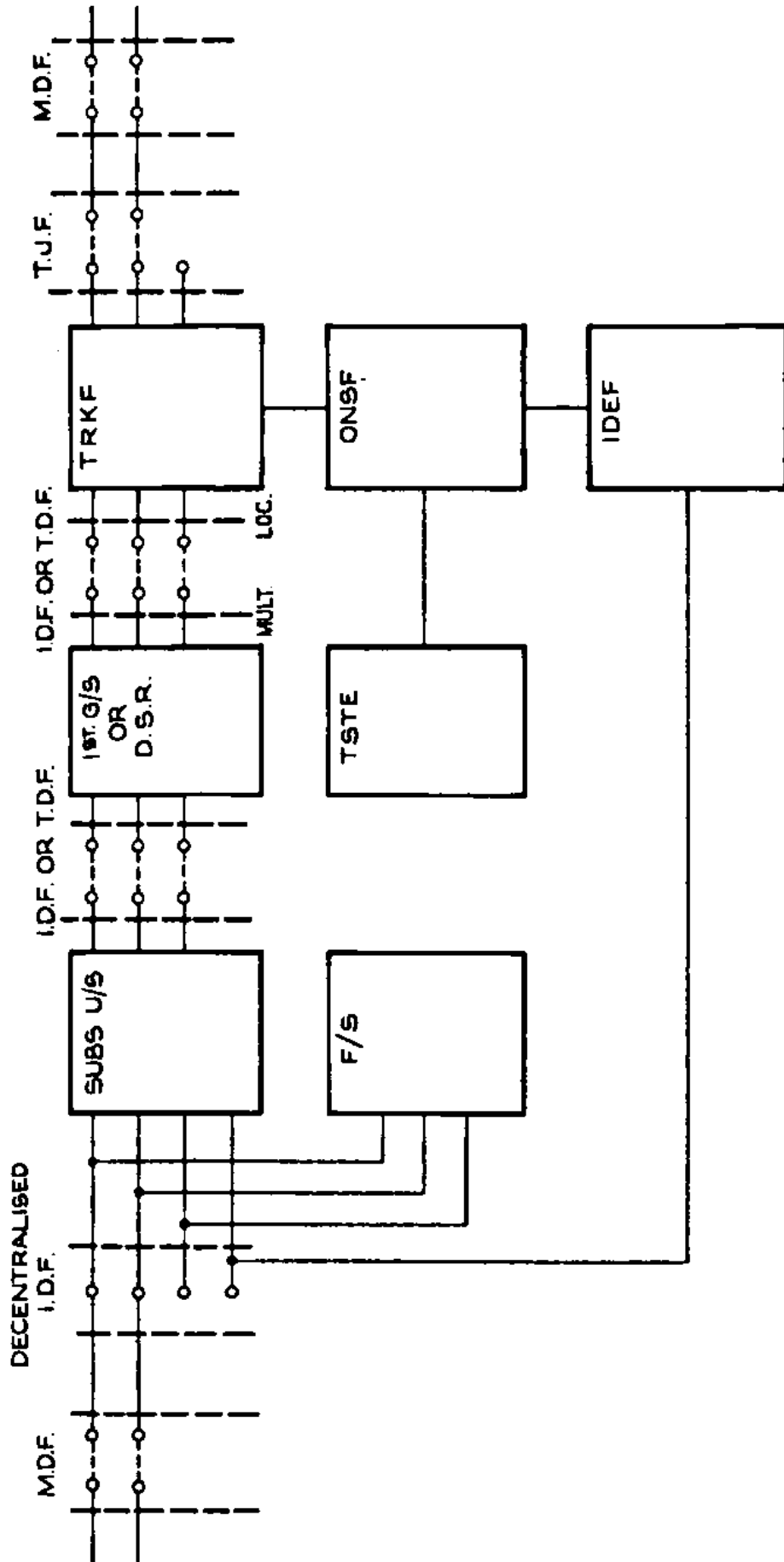
71  
L  
O  
O  
O  
T  
T  
R  
R  
K  
K  
F  
F  
O  
40

39  
L  
O  
O  
O  
T  
T  
R  
R  
K  
K  
F  
F  
O  
0

39  
B A B A  
20x4  
0 B A B A

M.D.F. EXCH.

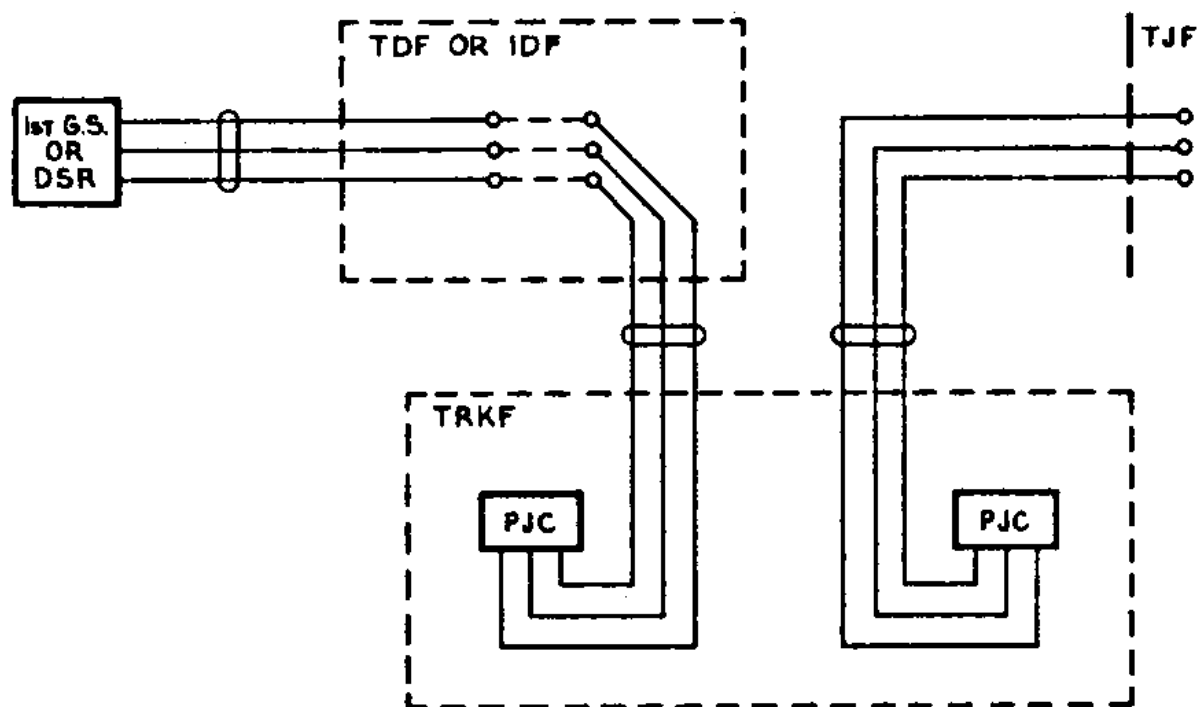
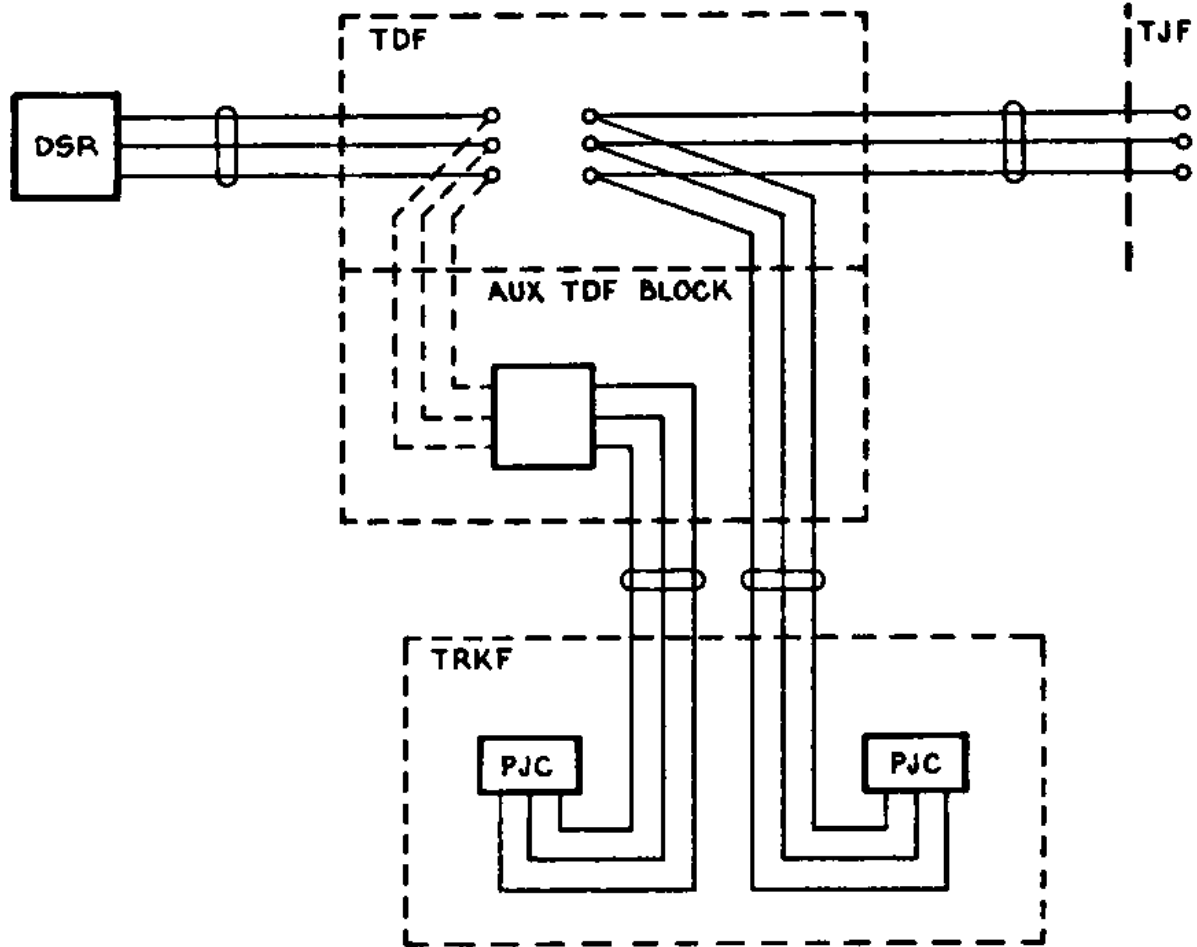
DATE	ISS	CHANGE	N Z P O. ENGINEER-IN-CHIEF, WELLINGTON.	
15.8.74	A		INSTALLATION OF NA200 TYPE A.N.I. EQUIPMENT IN 2000TYPE EXCHANGES (FOR I.S. 1190)	
			COY. NO	SHT. 14
			ORIGIN: T-EQPT.	38829
			OWN: FEQPT. TCD: KH	



**GENERALISED TRUNKING DIAGRAM  
A.N.I. EQUIPMENT IN STEP EXCHANGES**

DATE	ISS	CHANGE	N Z P O. ENGINEER-IN-CHIEF, WELLINGTON.
15.8.74	A		INSTALLATION OF NA200 TYPE A.N.I. EQUIPMENT IN 2000 TYPE EXCHANGES (FOR I.S. 1190)
COY. NO	SHT. 15	38829	
ORIGIN: T-EQPT.	A4		
OWN: T-EQPT   TCD KH			





DATE	ISS	CHANGE	NZPO ENGINEER-IN-CHIEF WELLINGTON	
9-7-75	A		INSTALLATION OF NA 200 TYPE ANI EQUIPMENT IN 2000 TYPE EXCHANGES	
			(FOR I.S. 1190)	
			ORIGIN: T-EQPT	SHT 16
			DWN: T-EQPT TCD: K.M.	A4
				38829

TEST JACK CIRCUIT FOR NA 200A - LD OGT

FLOOR TYPE OR RACK TYPE MDF. OG CIRCUIT DIRECTLY CONNECTED

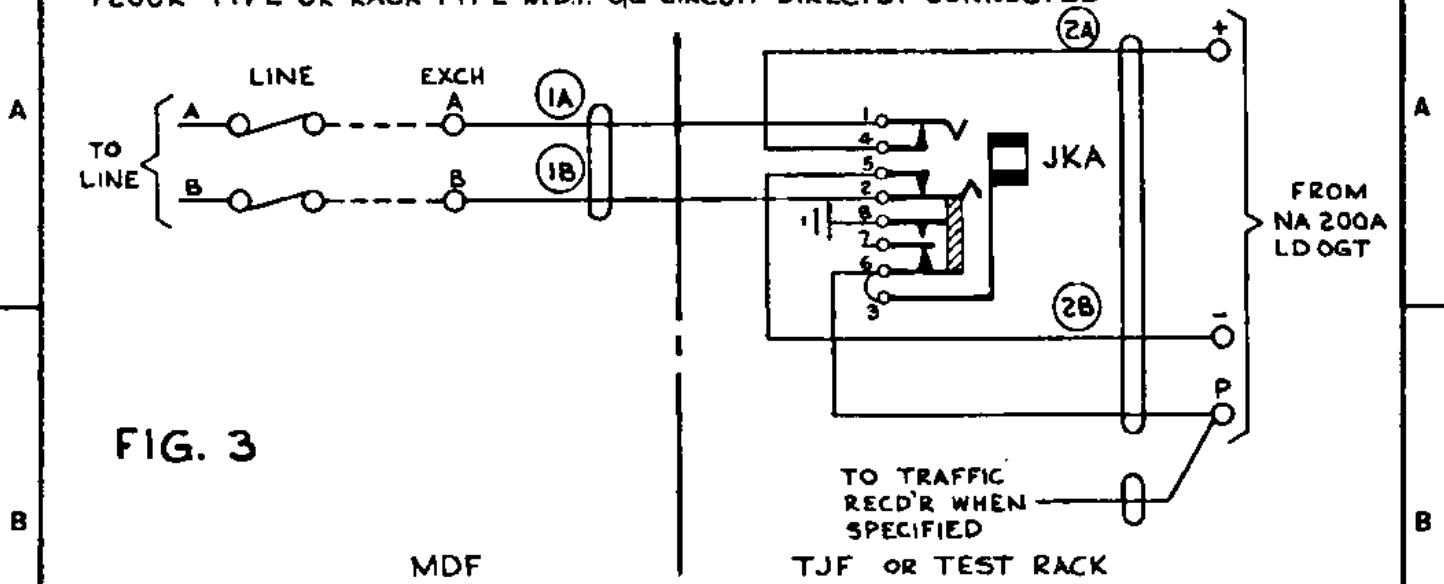


FIG. 3

MDF

TO TRAFFIC RECD'R WHEN SPECIFIED TJF OR TEST RACK

INSTALLATION OF NA 200 TYPE ANI EQUIPMENT IN 2000 TYPE EXCHANGES (FOR I.S. 1190)

NZPO ENGINEER-IN-CHIEF, WELLINGTON

UD 234

A 30-1190		
ISS DATE		
DRN: SS.	CKD: GRH	ORIGIN: SS.
TCD: A.J.M	APPD: G.C.G.	STANDARD



SHT: 17  
SIZE: A4

EC 38829