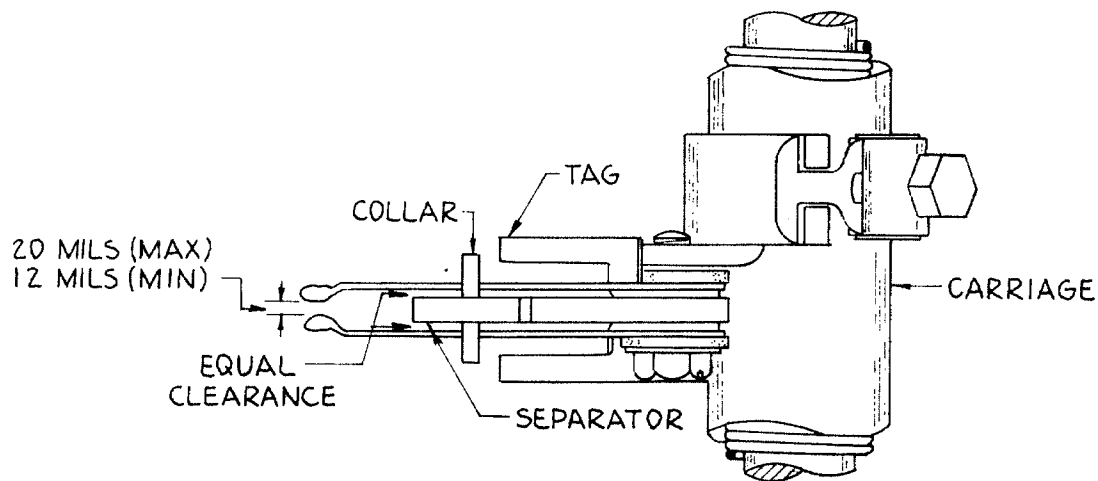


**FIG 5**

(DRG. 38516)



**FIG 7**

(DRG. 38516)

DEL	CKD	APD	ORDER	DATE	ISS	CHANGE	N Z P O ENGINEER-IN-CHIEF WELLINGTON
V.I.F.	JBM	JBM	34207	13.10.71	A		<p><b>WIPER ASSEMBLY</b>  <b>TELS Auto B5062</b></p>
WS	NAR	NAR	30177	11.1.72	B	FIGURES RENUMBERED...	
							<p>ORIGIN: T-EQPT</p> <p>DWN: T-EQPT TCD: V.I.F.</p>
							<p>2 OF 3</p> <p><b>38516</b></p> <p><b>A4</b></p>

