

SHT. No	SIZE	SUB-TITLE	ISSUE				
			D	E	F	G	
1	A2	RELAY SET CIRCUIT, PABX TO AUTO MAIN EXCH.	D	E	F	G	
2	A4	U POINT WIRING FOR FIG. 1A. & FIG. 3A	D	E	F	G	
3	A3	RCCL FOR FIG. 1A	D	E			
4	A1	RELAY SET CIRCUIT. PABX TO MAGNETO OR CB. PARENT EXCH.	A	B	C	D	E
5	A3	RCCL FOR FIG. 3A.	A	B			
6							
7							
8							
9							
10							
11							
12							
13							
14							
15							
16							
17							
18							
19							
20							
21							
22							
23							
24							
25							
26							
27							
28							
29							
30							

NOTES

DEL	CKD	APD	ORDER	DATE	ISS	CHANGE
WM	DAG	GFE	2443	8-5-73	D	SHTS. 1-3 AMD. SHTS 4, 5 AND IND. ADDED.
J.V.	BWI	GFE	122052	20-9-73	E	SHTS. IND. 1, 2, 4 AMENDED.
SWB	BWI	FJM	43091	23-12-76	F	SHTS 1 & 4 AMD
46	BWI	FJM	43137	1-3-77	G	SHTS 3, 4, 5 AMD.
N.T	GHB	FJM	154582	31-3-78	H	SHT 2 RETRACED
N.T	DJH	GRH	193382	12-6-78	J	SHTS 1, 2 & 4 AMD

N Z P O ENGINEER-IN-CHIEF WELLINGTON

**UNIVERSAL NIGHT SERVICE  
WITH SINGLE TRANSFER  
300 TYPE P.A.B.X.  
(INDEX SHEET)**

COY. No:	IND A4	38332
ORIGIN: T-EQPT.		
DWN: T-EQPT. TCD: W.M.		

MASTER TRACING 33800

FROM SPECIFIED  
LEV. 1ST  
GROUP SELR.  
MULT.

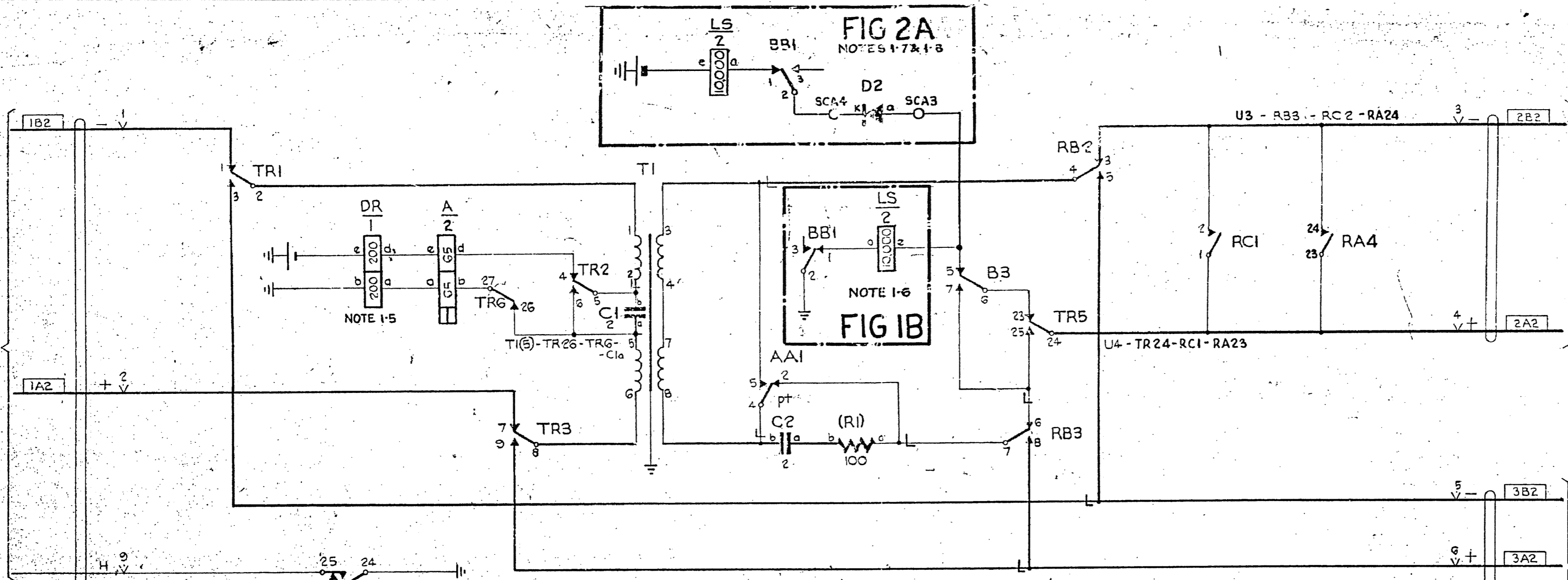
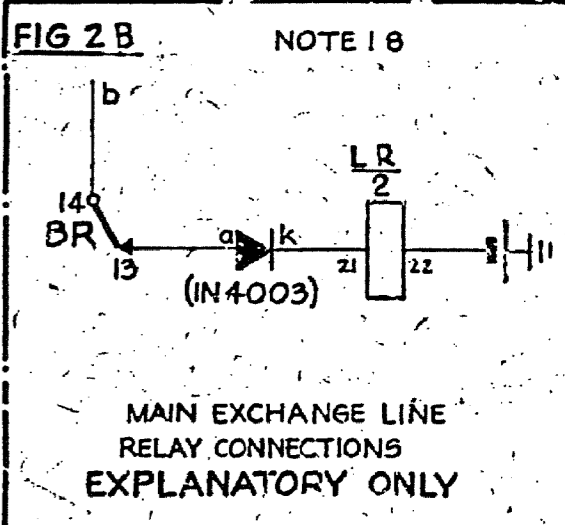


FIG 1A.

INCOMING  
EXCHANGE  
LINE VIA  
NIGHT  
SERVICE  
EXTN. JACK  
NOTE 1-8

TO EXTN.  
LINE  
CCT.  
NOTE 1-2



BATT. BK 0.7mm FUSE [4B2]-UI2  
ETH. R. 0.7mm ETH. BAR [4A2]-UI1  
BATT. V. UI2-TRc-DRc-RCc-(1.5z FIG 2A)-BBz-Bz-RAz-R2Az-R2Bz-R3Az-R3Bz  
ETH. R. UI1, TI(-) TR29-DRb-DRI-LS2I-(BB2 FIG 1B)-R24-B24-A2

SUPERSEDES DRG 37440

- NOTES:
- 1-1 FUSING 1.5 A. PER CCT
  - 1-2 APPLY NOTE 4, GBW. 14080 TO ASSOCIATED EXTENSION LINE CCT.
  - 1-3 UNLESS OTHERWISE SPECIFIED ALL WIRING TO BE 0.5mm.
  - 1-4 STRAP UIO TO UI4 ON FIRST NIGHT SERVICE CCT ONLY
  - 1-5 RELAY DR DIFFERENTIALLY CONNECTED.
  - 1-6 PROVIDE FIG 1B FOR RING RETURN BATTERY ON A LEG.
  - 1-7 PROVIDE FIG 2A FOR RING RETURN EARTH ON A LEG.
  - 1-8 WHEN MAIN EXCHANGE SIGNALS RING RETURN EARTH ON B LEG PROVIDE FIG 2A WITH SHORT-CC. ACROSS D2. REVERSE LEADS TO U3 & U4 FROM NIGHT SWITCH JACK AND INCLUDE DIODE IN MAIN EXCHANGE LINE CCT AS SHOWN IN EXPLANATORY FIG. 2B.
  - 1-9 VHF ADAPTER CCTS. WITH EXTN. LINE ACCESS (DRGS 29655 & 31966) ARE NOT TO BE USED IN PABX'S EQUIPPED WITH THIS CIRCUIT.

UNIVERSAL NIGHT SERVICE WITH SINGLE TRANSFER  
300 TYPE PABX  
RELAY SET CIRCUIT PABX TO AUTO MAIN EXCHANGE

SEL	CHK	APD	ORDER	DATE	ISS	CHANGE	ENGINEER	N.Z.P.O.
							IN CHIEF	WELLINGTON
							COY NO	ORIGIN:TEGPT
							SHT 1	DRAWN:TEGPT TRACED:JMT
							A2	38332

25

20

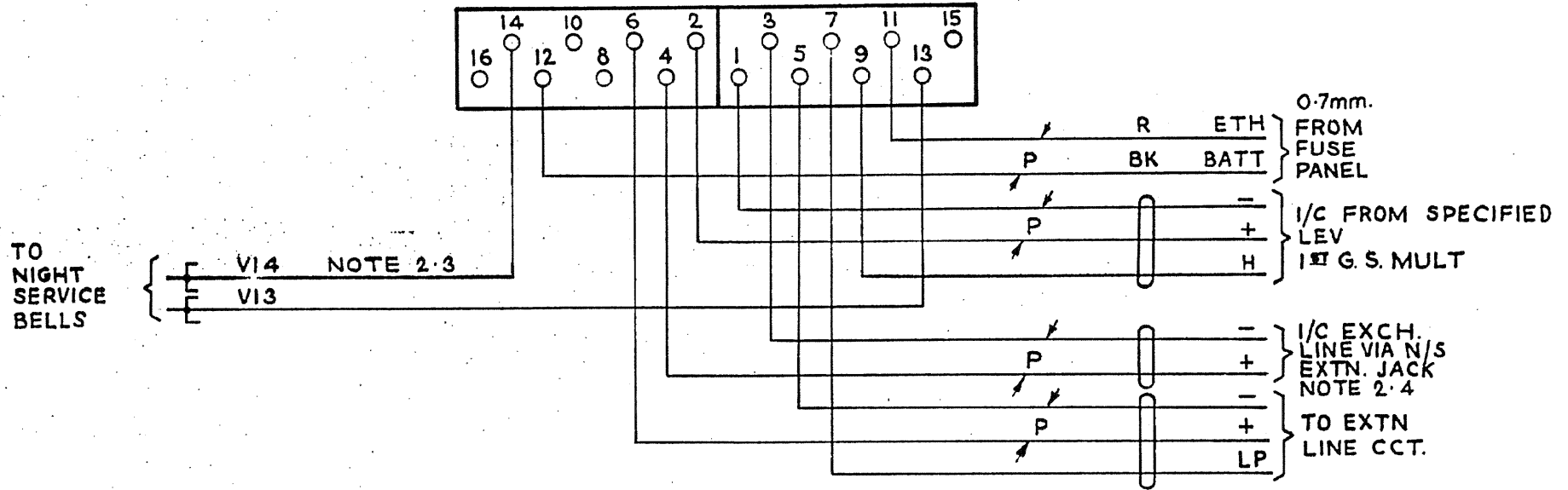
15

10

Centimetres

0

### AS SEEN FROM THE REAR



### NOTES:-

- 2.1. ALL WIRING TO BE 0.5mm. UNLESS OTHERWISE SPECIFIED.
- 2.2. SHELF JACK U POINTS 9 & 11 MAKE CONTACT WHEN RELAY SET IS REMOVED.
- 2.3. STRAP UI0-UI4 OF FIRST UNIVERSAL NIGHT SERVICE CCT. ONLY
- 2.4. WHEN MAIN EXCHANGE SIGNALS RING RETURN EARTH ON B LEG REVERSE - AND + CONNECTIONS FROM NIGHT SERVICE JACK

UNIVERSAL NIGHT SERVICE WITH  
 SINGLE TRANSFER  
 300 TYPE P A B X  
 U POINT WIRING FIG. A AND FIG. 3A

DATE	ISS	CHANGE
7-10-71	A	
31-3-78	F	REDRAWN FROM ISSE OF 20-9-73
12-6-78	G	WIRE SIZES METRICATED

N.Z.P.O. REGIONAL ENGINEER, WELLINGTON.	
COY NO:	ORIGIN: T-EQPT.
SHT 2	DRAWN: T-EQPT TRACED: N.T.
38332	

# RELAY CODES AND COMPONENTS LIST

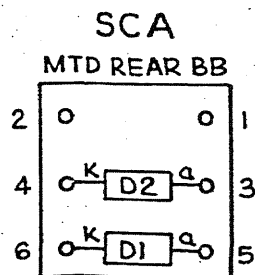
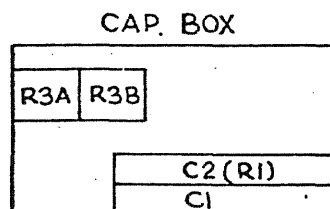
RELAY NAME	B.C.C. CODE	N.Z.P.O. CODE	B.P.O. CODE	COY. CODE	NOTES	STOCK LIST N <sup>o</sup>	COMPONENT DESIGNATION	B.P.O. CODE	COY. CODE	NOTES	STOCK LIST N <sup>o</sup>	MISC. COMPONENTS	NOTES	STOCK LIST N <sup>o</sup>
A	HSD 710	HSD NZ 809	3/412K			LD90B	C1-C2	102C		2 $\mu$ F	KC313	MTG. PLATE	RS2/3000/12	LH681
AA	HS 508	HS NZ 800	3/40IR			LD26A						PLUG	1603 16 Pt.	LH678G
B	B60667	50592 VD					DI & D2		IN4003	DIODE	K905	RESIS POST	89mm	KB9B
BB	B20798	50590 PA					RI	6		100 $\mu$ MTD. C2	KB116	STRIP CONN	(SCA, SCB)1/DST/B44	LH814
DR	B72189	57000AC	8279				R2A-R2B	9		500 $\mu$	KB279		SCREWS 4PA x $\frac{3}{8}$ "	LH610
LS	B71827	50589 AB					R3A-R3B	9		500 $\mu$	KB279		INS. PLATE 1/SPL/196	LE811
RA	B4854	50591 SD					T1		415A	TRANSFORMER	K980E	RESIS. POST	64mm	KB9A
RB	B1130	50587AA	3799				R4	9		100 $\mu$	KB117			
RC	B1108	50034 AB	3544							600 $\mu$	KB292			
TR	B4194	50588 AA	4181							300 $\mu$	KB226			
										500 $\mu$	KB279			

### NOTES

A- SPECIAL FACTORS OF SAFETY B- SPECIAL ADJUST. C- CCT. POINTS OR MODS.

T1	R2A/R2B/R4
TR	A
DR	AA
RB	RA
RC	B
LS	BB

AS VIEWED FROM FRONT



### LAYOUT

#### NOTES :-

3.1 LOCATION OF R2A/R2B/R4 DEPENDS ON PROVISION OF 'Y' RELAY (SEE SHT 4 NOTE 4.11(a)).

MASTER TRACKING 21433 SHT 1

**UNIVERSAL NIGHT SERVICE  
WITH SINGLE TRANSFER  
300 TYPE PABX  
RCCL FOR FIG. 1A**

DATE	ISS	CHANGE	N Z P O ENGINEER-IN-CHIEF WELLINGTON	
8-5-73	A		COY. N <sup>o</sup> :	ORIGIN: T-EQPT.
1-3-77	B	3000-TYPE REL. SL. N <sup>o</sup> s DELETED	SHT. 3	DRAWN: T-EQPT. TRACED: W.M.
			A3	<b>38332</b>



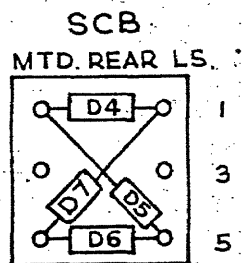
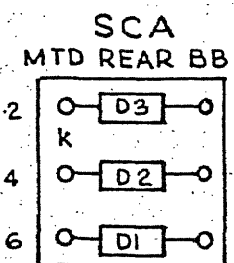
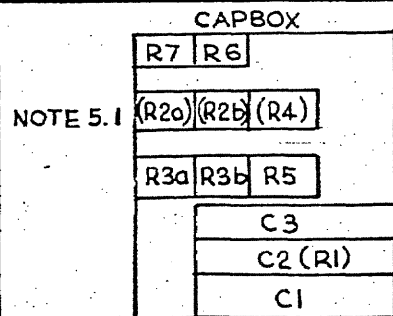
# RELAY CODES AND COMPONENTS LIST

RELAY NAME	B.C.C. CODE	N.Z.P.O. CODE	B.P.O. CODE	COY. CODE	NOTES	STOCK LIST NO	COMPONENT DESIGNATION	B.P.O. CODE	COY. CODE	NOTES	STOCK LIST NO	MISC COMPONENTS	NOTES	STOCK LIST NO
A	HSD 710	HSD NZ809	3/412K			LD90B	C1 - C3	102C		2 $\mu$ F	KC 313	MTG PLATE	RS2/3000/12	LH681
AA	HS 508	HS NZ800	3/401R			LD26A						PLUG	1603 16 Pt	LH678G
B	B60667	50592 VD					D1 - D7		IN4003	DIODE	K905	RESIS POST	89mm	KB9B
BB	B20798	50590PA					R1	6		100 $\Omega$ MTD C2	KB116	STRIP.CONN.	(SCA, SCB) 1/DST/B44	LH814
DR	B72189	57000AC	8279				R2A - R2B	9		500 $\Omega$	KB279		SCREWS 4BA x $\frac{3}{8}$ "	LH610
LS	B40443						R3A - R3B	9		500 $\Omega$	KB279		INS. PLATE 1/SPL/196	LE811
RA	B4854	50591 SD					T1		415A	TRANSFORMER	K980E	RESIS. POST	64mm	KB9A
RB	B1130	50587AA	3799				R4	9		100 $\Omega$	KB117			
RC	B1108	50034AB	3544				R5	12		600 $\Omega$	KB292			
TR	B4194	50588AA	4181				R6	9		300 $\Omega$	KB226			
Y	B2117	50187PA					R7	9		500 $\Omega$	KB279			

NOTES  
 A - SPECIAL FACTORS OF SAFETY B - SPECIAL ADJUST. C - CCT. POINTS OR MODS.

T1	(R2A/R2B/R4) (Y)
TR	A
DR	AA
RB	RA
RC	B
LS	BB

AS VIEWED FROM FRONT



## LAYOUT

NOTES :-  
 5.1 LOCATION OF R2A/R2B/R4 DEPENDS ON PROVISION OF 'Y' RELAY (SEE SHT 4, NOTE 4.11(a)).

**UNIVERSAL NIGHT SERVICE  
 WITH SINGLE TRANSFER  
 300 TYPE PABX  
 RCCL FOR FIG 3A**

DATE	ISS	CHANGE	N.Z.P.O. ENGINEER-IN-CHIEF WELLINGTON	
8.5.73	A		COY. NO:	ORIGIN: T-EQPT.
1.3.77	B	LS CHANGED, C3, D3-7, R7, SCB LAYOUT ADDED, MINOR AMDMTS.	SHT 5	DRAWN: T-EQPT. TRACED: W.M.
			A3	38332

MASTER TRACING 28433