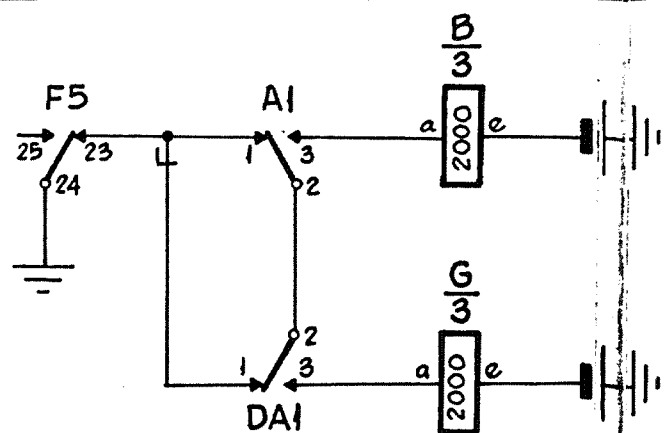
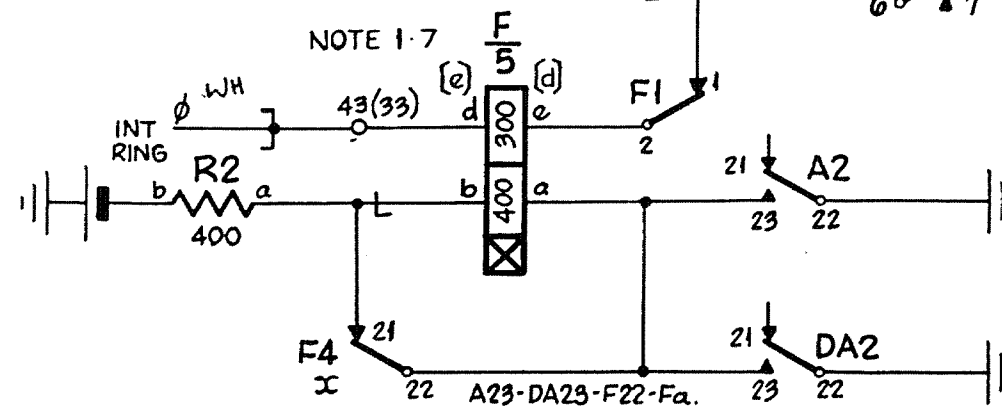


- 1-1. FUSE 1-0A PER CCT.
- 1-2.  $\phi$  FOR WIRING SEE ASSOCIATED R.C.S.
- 1-3. UNLESS OTHERWISE INDICATED ALL TERMINALS ARE ON STRIP CONNECTION AT REAR AND ARE DESIGNATED SCA IN WIRING RUNS.
- 1-4. UNLESS OTHERWISE SPECIFIED ALL WIRING TO BE 0.5mm.
- 1-5. BRACKETED NUMERALS ( ) INDICATE 2<sup>ND</sup> CCT. WHEN PROVIDED.
- 1-6. PLAIN RELAY CONTACT NUMBERING APPLIES WHEN B73122P USED. CIRCLED 1<sup>ST</sup> RELAY CONTACT NUMBERING APPLIES WHEN B6030 USED; B1 & G1 ARE SILVER.
- 1-7. WHEN USED AT WR AGF, STRAP R1 & USE CONNS. SHOWN [ ]



BATT BK 0.7mm FUSE 3B2 SCA 48 (47)  
 ETH. R 0.7mm BAR 3A2 SCA 50 (45)



BATT V SCA 48 (47) - R2b - Ge - DAe - Ae - Be  
 ETH R SCA 50 (45) - F24 - DA22 - DAb - A22 - Ab.

**SUBSCRIBERS B/W ORDER WIRE WITH AUTOMATIC RINGING**

DEL	CKD	APD	ORDER	DATE	ISS	CHANGE
244	KG	CJW	10450	11-8-77	A	
N.T	DJH	GRH	195385	9-5-78	B	WIRE SIZES METRICATED

N Z P O	
ENGINEER-IN-CHIEF, WELLINGTON	
COY NO	ORIGIN: T-EQP.
1 OF 3	DRAWN: T-EQPT. TRACED RBAJ.
A3	37909.

24/50V