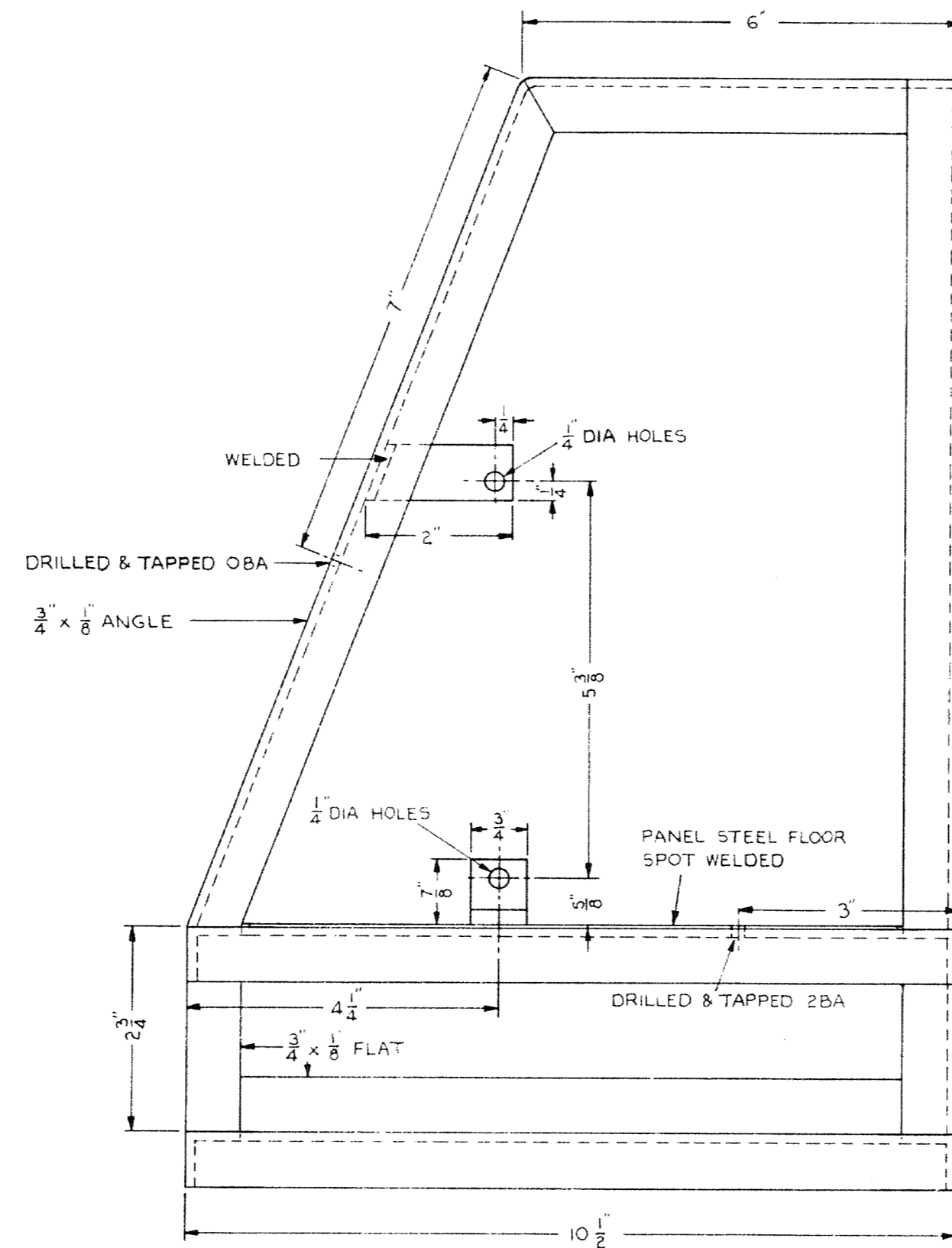
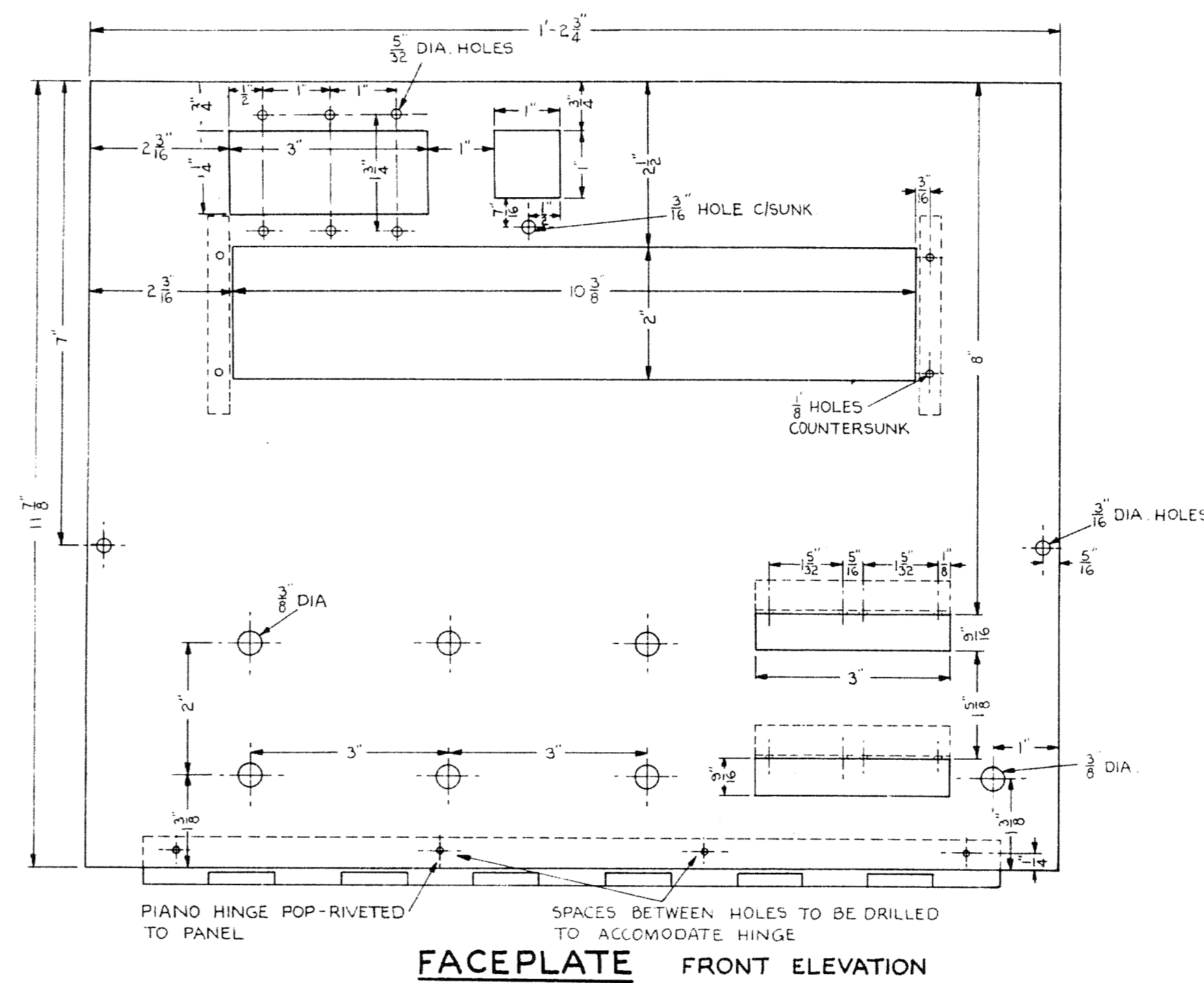


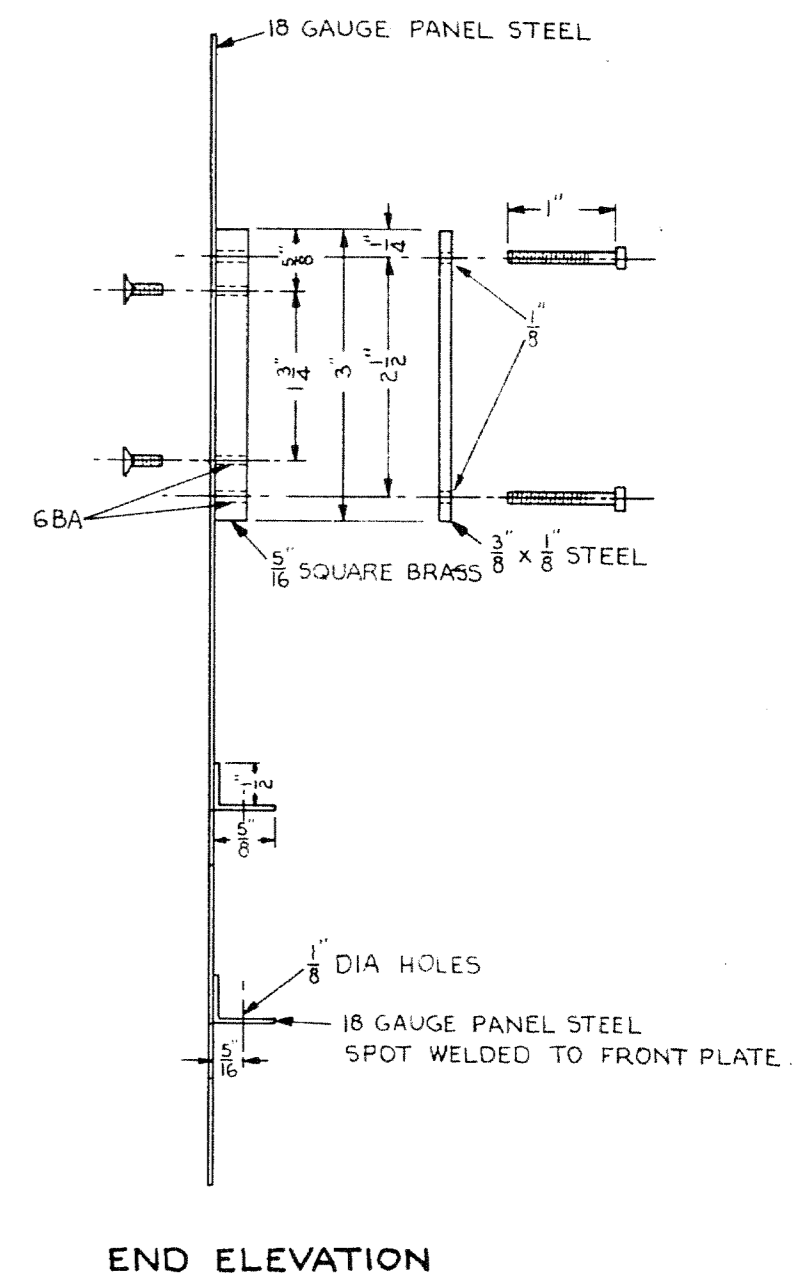
FRONT ELEVATION



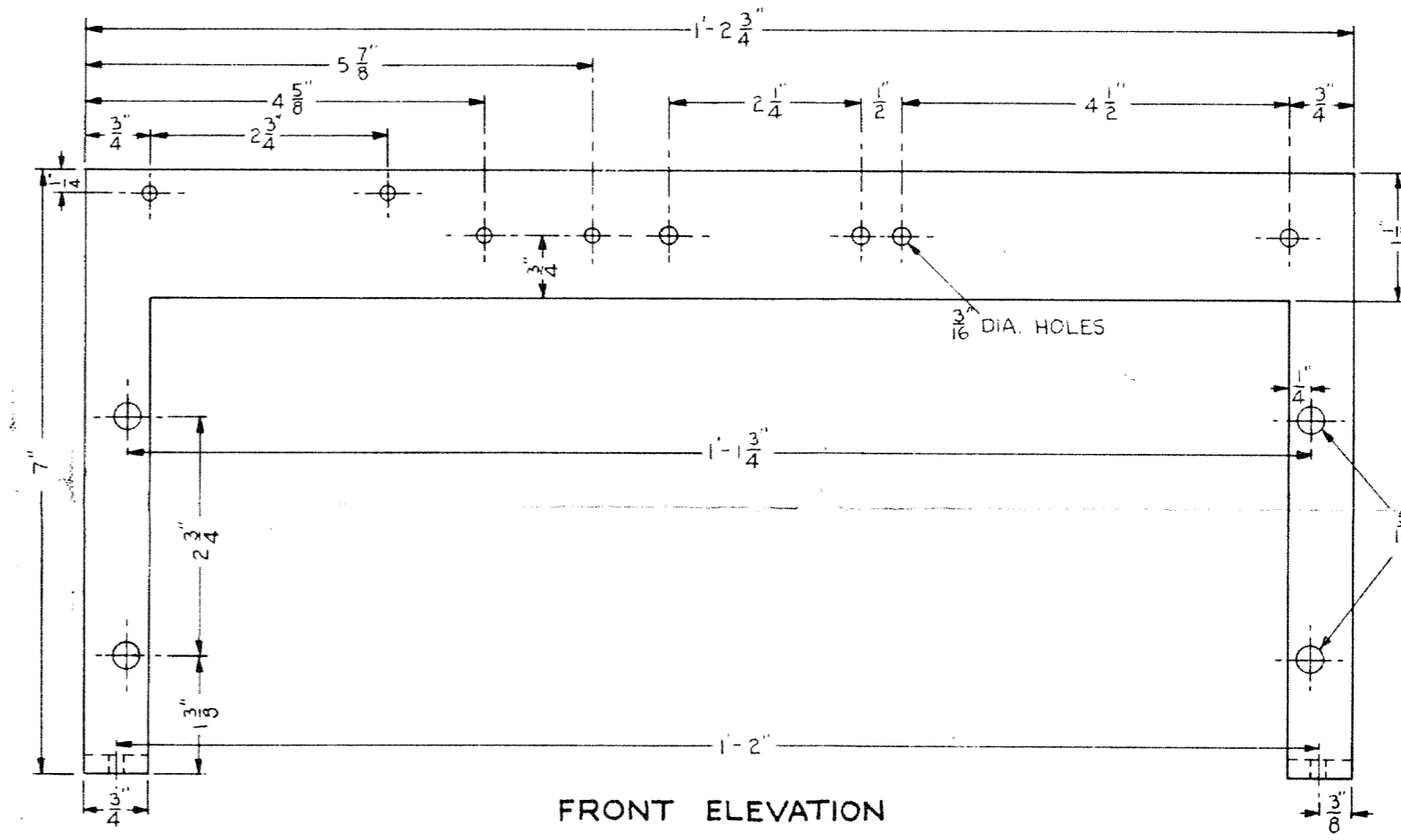
END ELEVATION



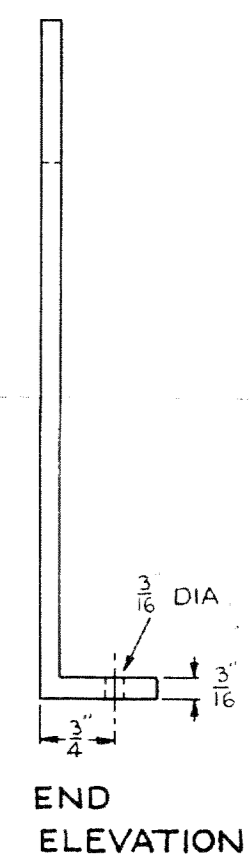
FACEPLATE FRONT ELEVATION



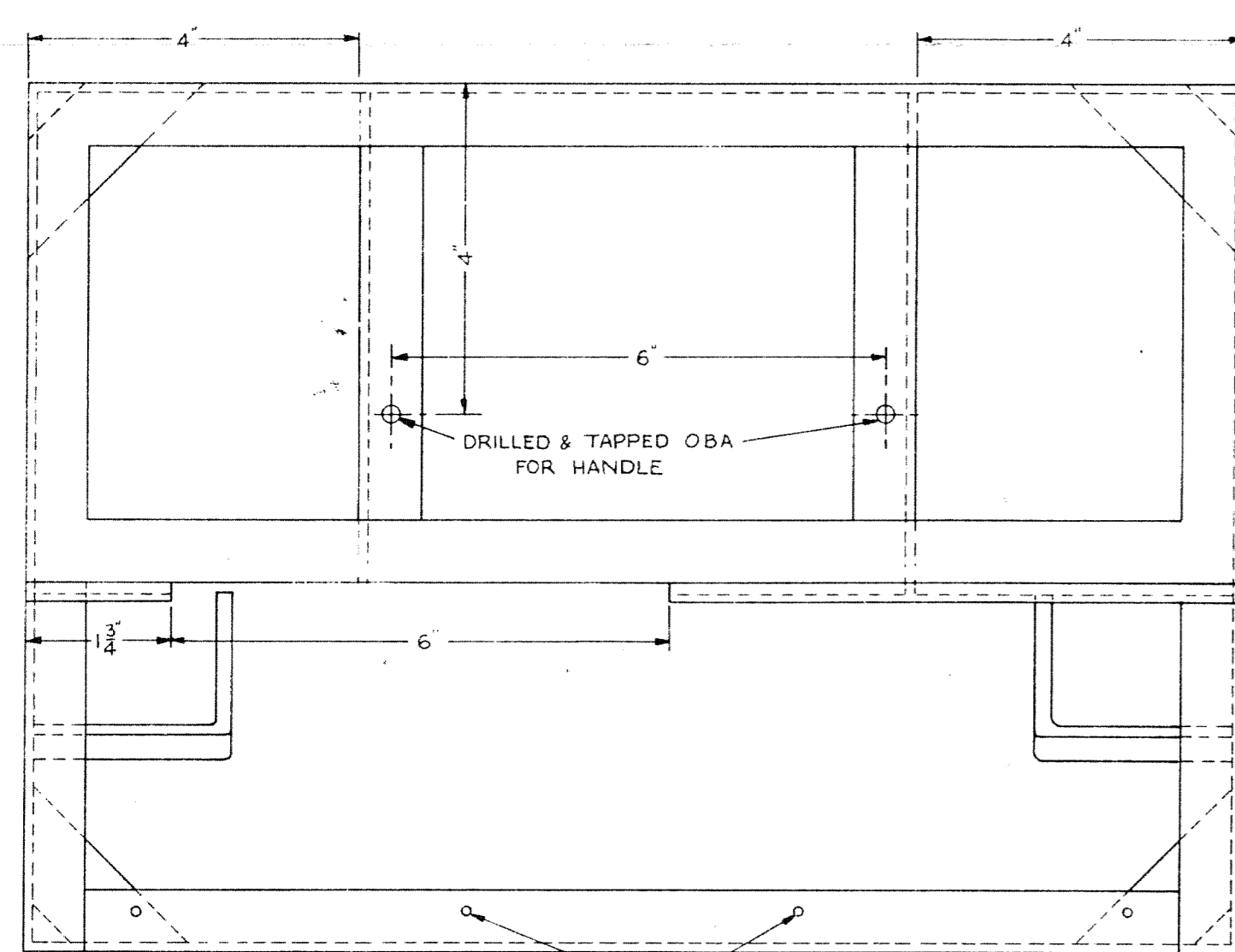
END ELEVATION



FRONT ELEVATION  
RELAY AND CAPACITOR MOUNTING  
BRACKET

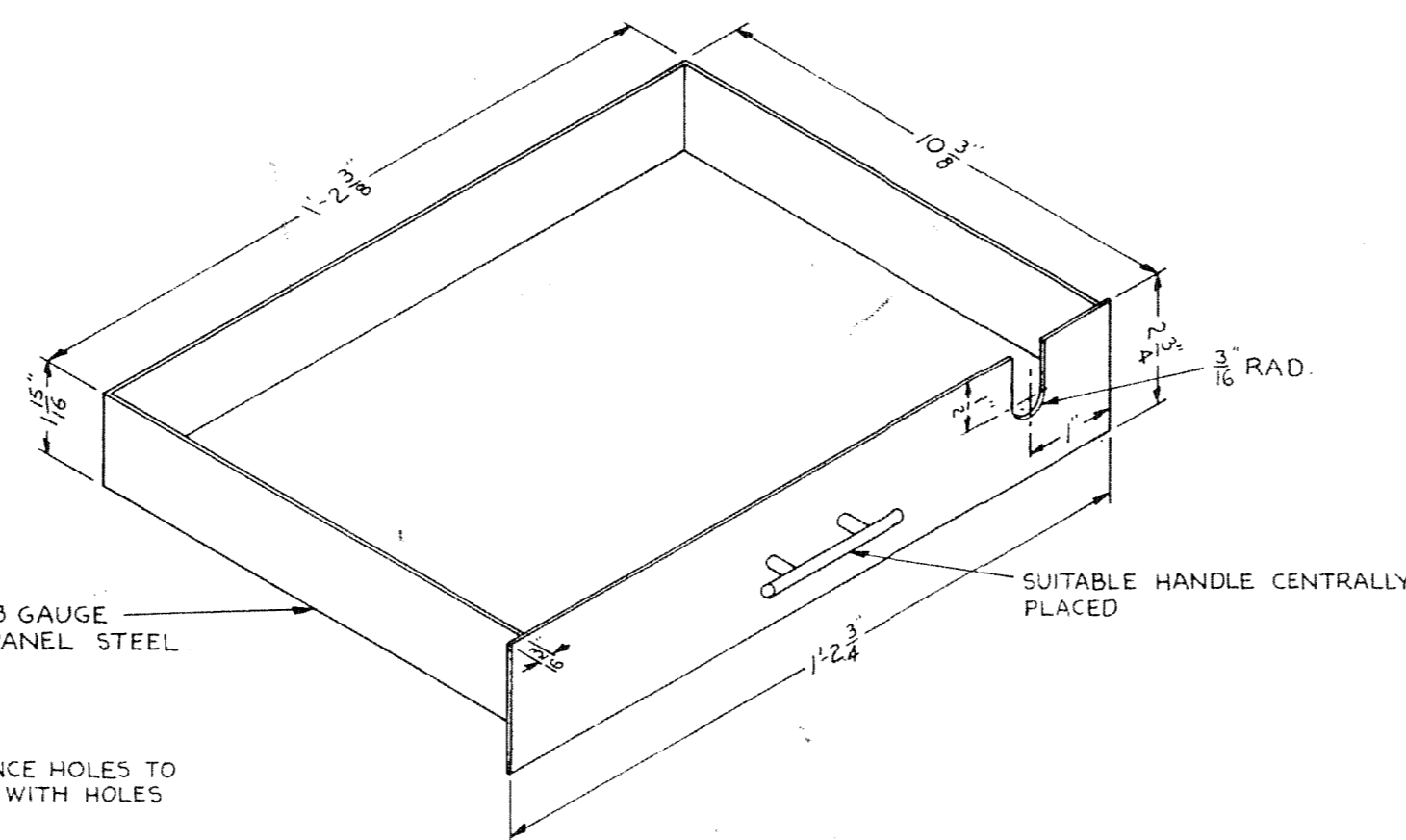
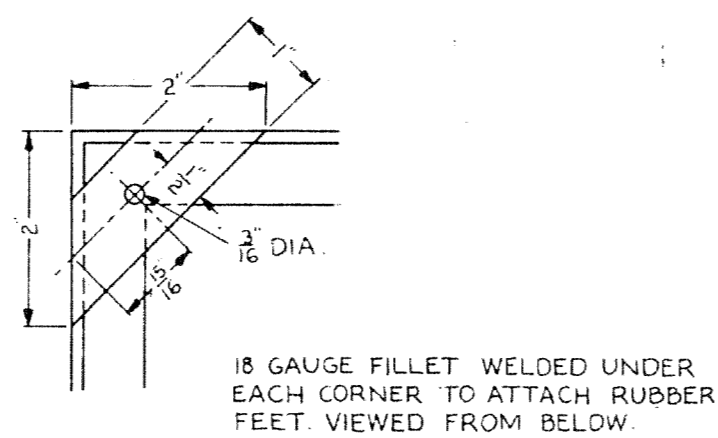


END ELEVATION

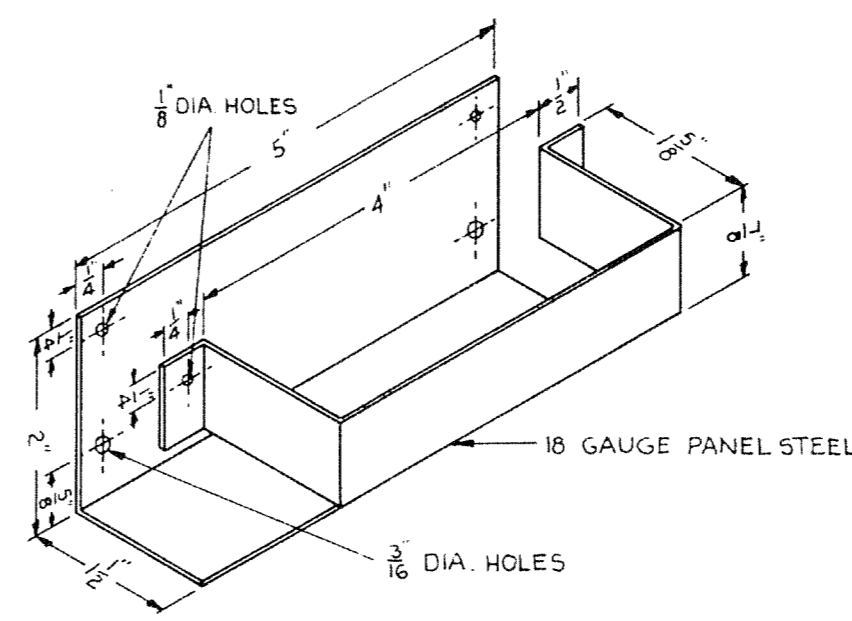


FRONT RAIL DRILLINGS TO ACCOMMODATE  
PIANO HINGE  
PLAN VIEW SHOWN WITH PANEL STEEL FLOOR REMOVED

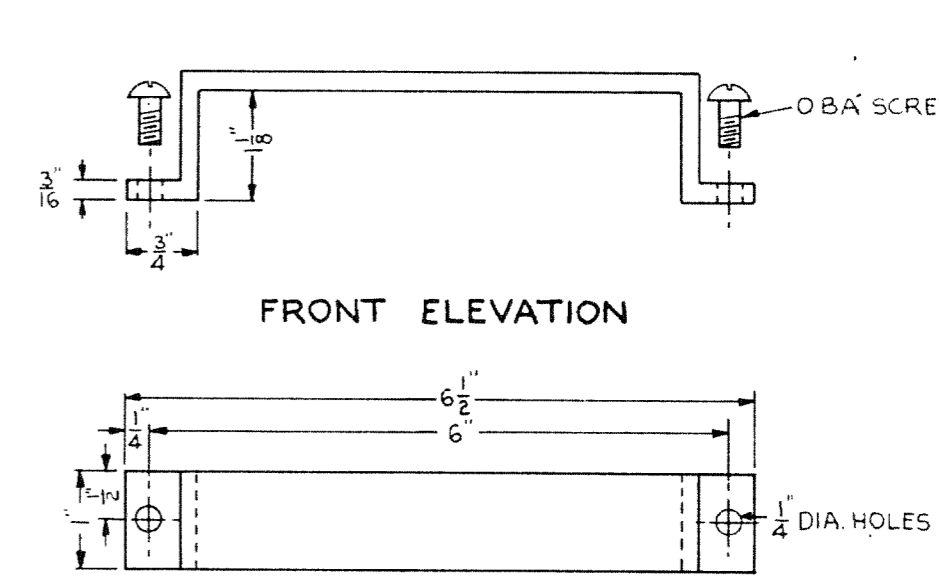
PLAN  
FRAME



PICTORIAL VIEW  
DRAWER

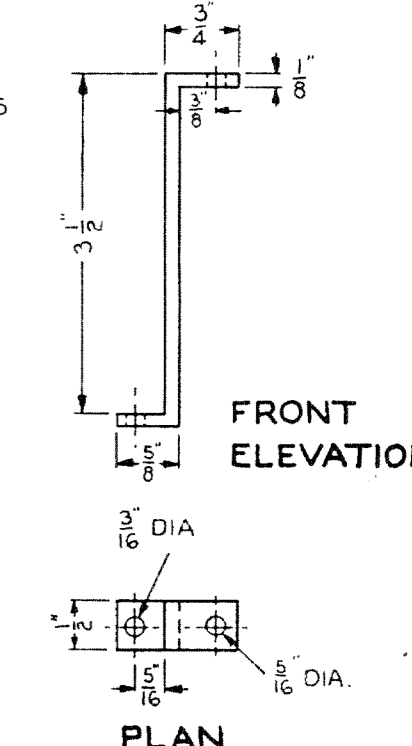


PICTORIAL VIEW  
CAPACITOR SHELF & STRAP



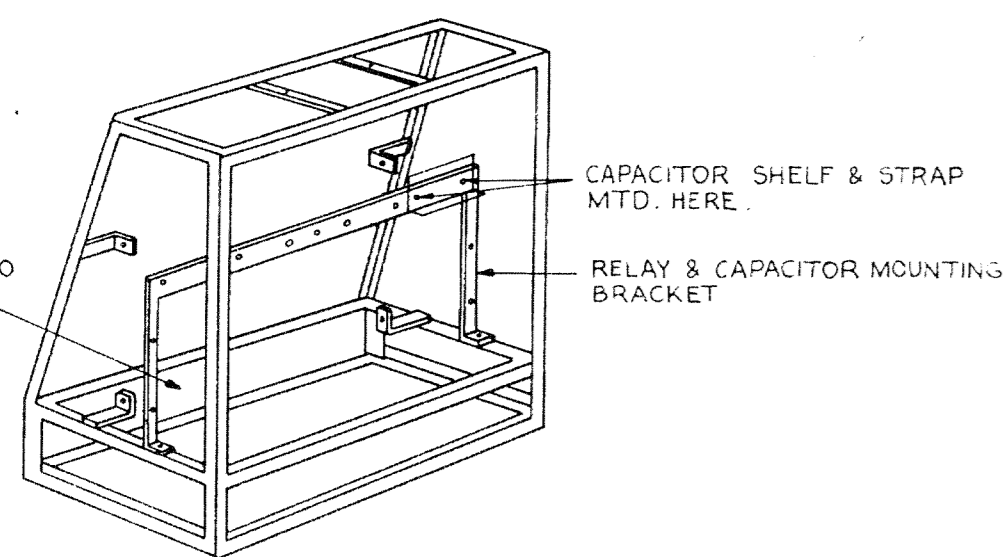
FRONT ELEVATION

PLAN  
HANDLE

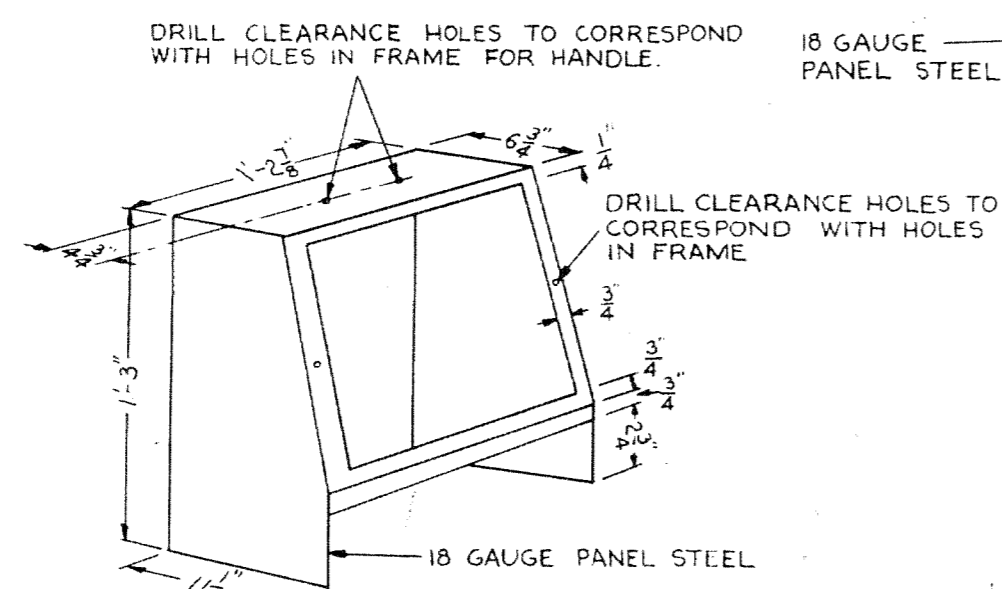


FRONT ELEVATION

PLAN  
CALL-COUNT  
METER BRACKET



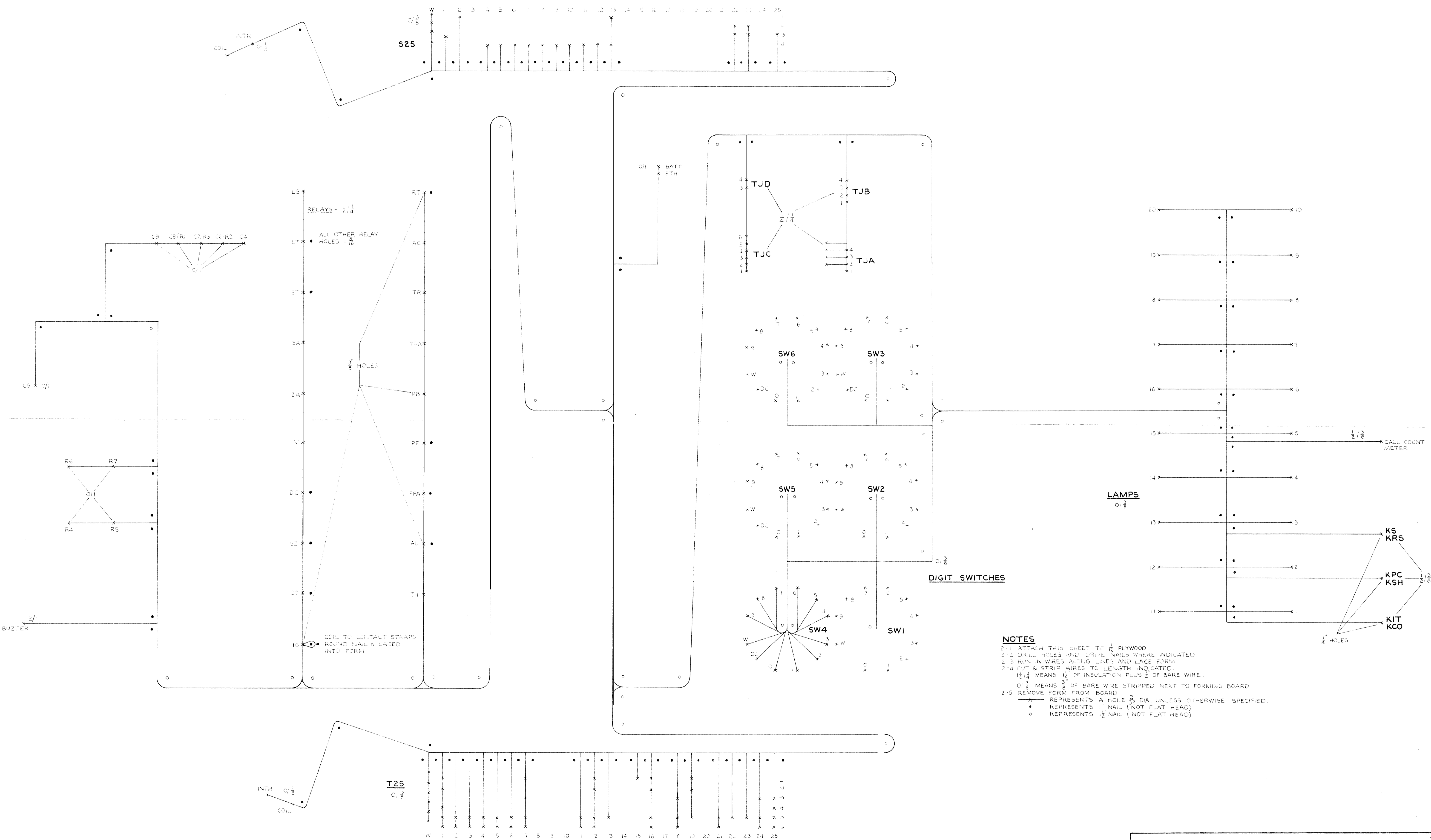
FRAME: PICTORIAL VIEW  
NOT TO SCALE



STEEL COVER  
NOT TO SCALE

AUTOMATIC CALLING EQUIPMENT CONSTRUCTION & WIRING DETAILS									
1 3/4 1/4 1 2 3 4 5 6 7 8 9 10 INCHES									
DEL	CHK	APP	ORDER	DATE	ISS	CHANGE			
15	15	15	15	15	15	NO CHANGE SHY. 2 AMENDED			
ENGINEER-IN-CHIEF WELLINGTON					N.Z.P.O.				
COY. NO. 1					ORIGIN: TEQPT.				
L 1					DRAWN: TEQPT. TRACED: AP				
OF 3					37304				

FIG.2 WIRING TEMPLATE

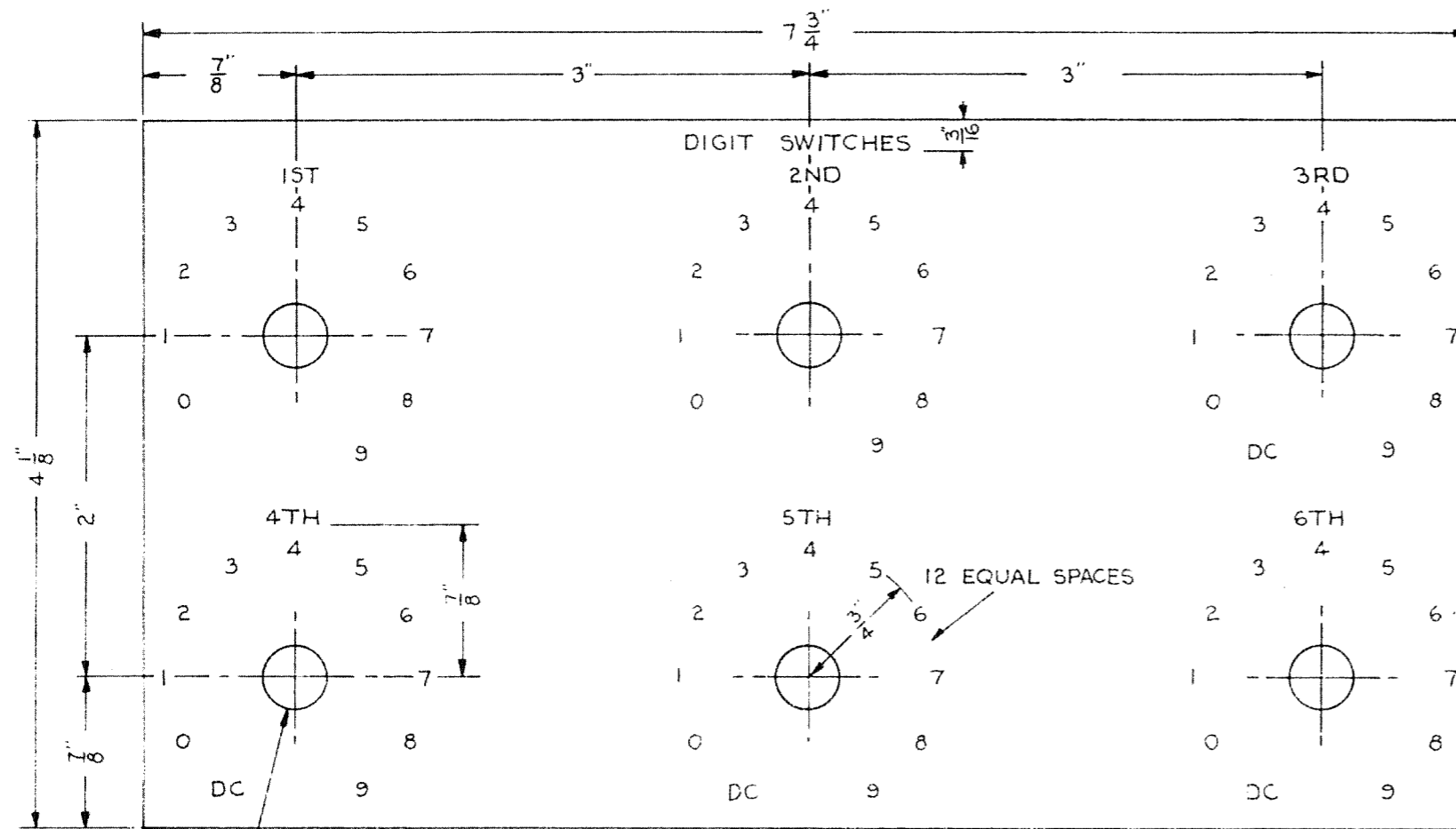


- NOTES**
- 2-1 ATTACH THIS SHEET TO 7/16 PLYWOOD
  - 2-2 DRILL HOLES AND DRIVE NAILS WHERE INDICATED
  - 2-3 RUN IN WIRES ALONG LINES AND LACE FORM
  - 2-4 CUT & STRIP WIRES TO LENGTH INDICATED
  - 1 1/2 x 1/4 MEANS 1/2" OF INSULATION PLUS 1/4" OF BARE WIRE.
  - 0 3/8 MEANS 3/8" OF BARE WIRE STRIPPED NEXT TO FORMING BOARD
  - 2-5 REMOVE FORM FROM BOARD
  - x — REPRESENTS A HOLE 3/32" DIA UNLESS OTHERWISE SPECIFIED.
  - REPRESENTS 1" NAIL (NOT FLAT HEAD)
  - o REPRESENTS 1 1/2" NAIL (NOT FLAT HEAD)

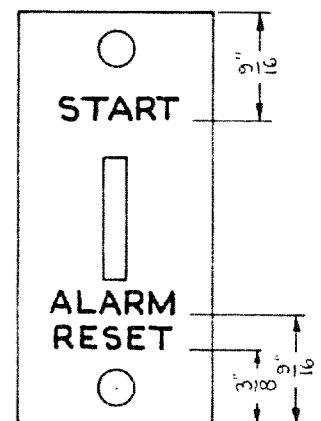
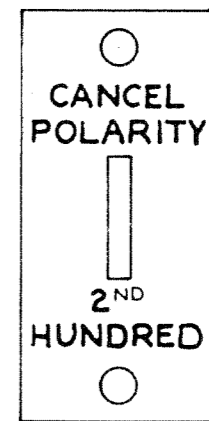
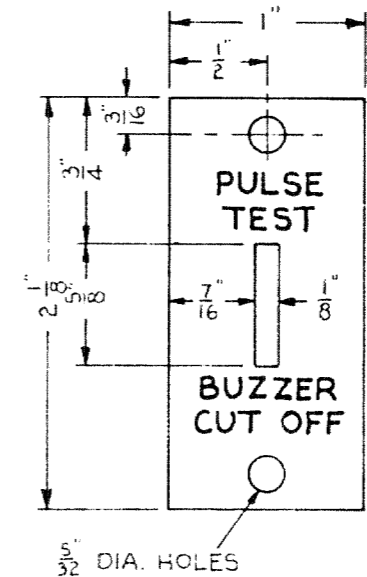
**AUTOMATIC CALLING EQUIPMENT  
CONSTRUCTION & WIRING DETAILS**

DEL	CKD	APD	ORDER	DATE	ISS	CHANGE	N.Z.P.O
47	BD	WFB	37333	11.6.70	A	STRAPPING ON'S & T CHANGED	ENGINEER-IN-CHIEF WELLINGTON.
							COY N°
							ORIGIN: TEQPT.
							SIZE
							L 2 OF 3
							DRAWN: T.EDPT. TRACED: A.F.
							<b>37304</b>

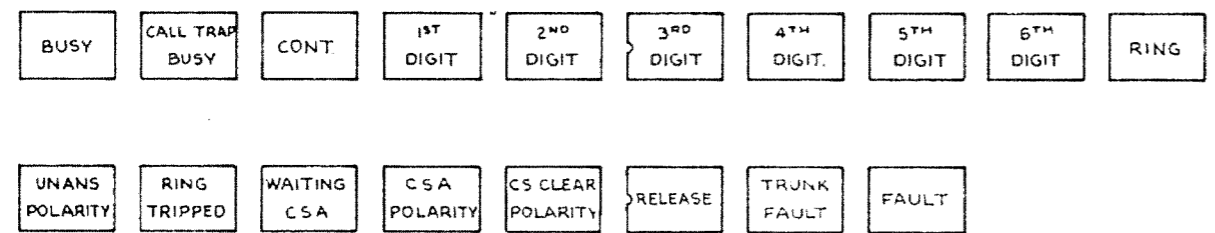
# FIG. 3 FACEPLATE ENGRAVING DETAILS



3/8" DIA. HOLES  
 MATERIAL - LAMINEX OR SIMILAR.  
 LETTERING - 3/32" WHITE ON BLACK.



KEY PLATES  
 LETTERING - 1/8" WHITE



MATERIAL - IVORINE OR SIMILAR 1/2" x 3/8"  
 LETTERING - 1/16" BLACK

AUTOMATIC CALLING EQUIPMENT CONSTRUCTION & WIRING DETAILS						DEL	CKD	APD	ORDER	DATE	ISS	CHANGE		N.Z.P.O.	
						AP	BD	HBB	MPB	21717	11.6.70	A	NO CHANGE SHT 2 AMENDED		ENGINEER - IN - CHIEF WELLINGTON.
												COY. N <sup>o</sup> :	ORIGIN: T.EQPT.		
												SIZE	DRAWN: T.EQPT.	TRACED: A.P.	
												S	3 OF 3	37304	