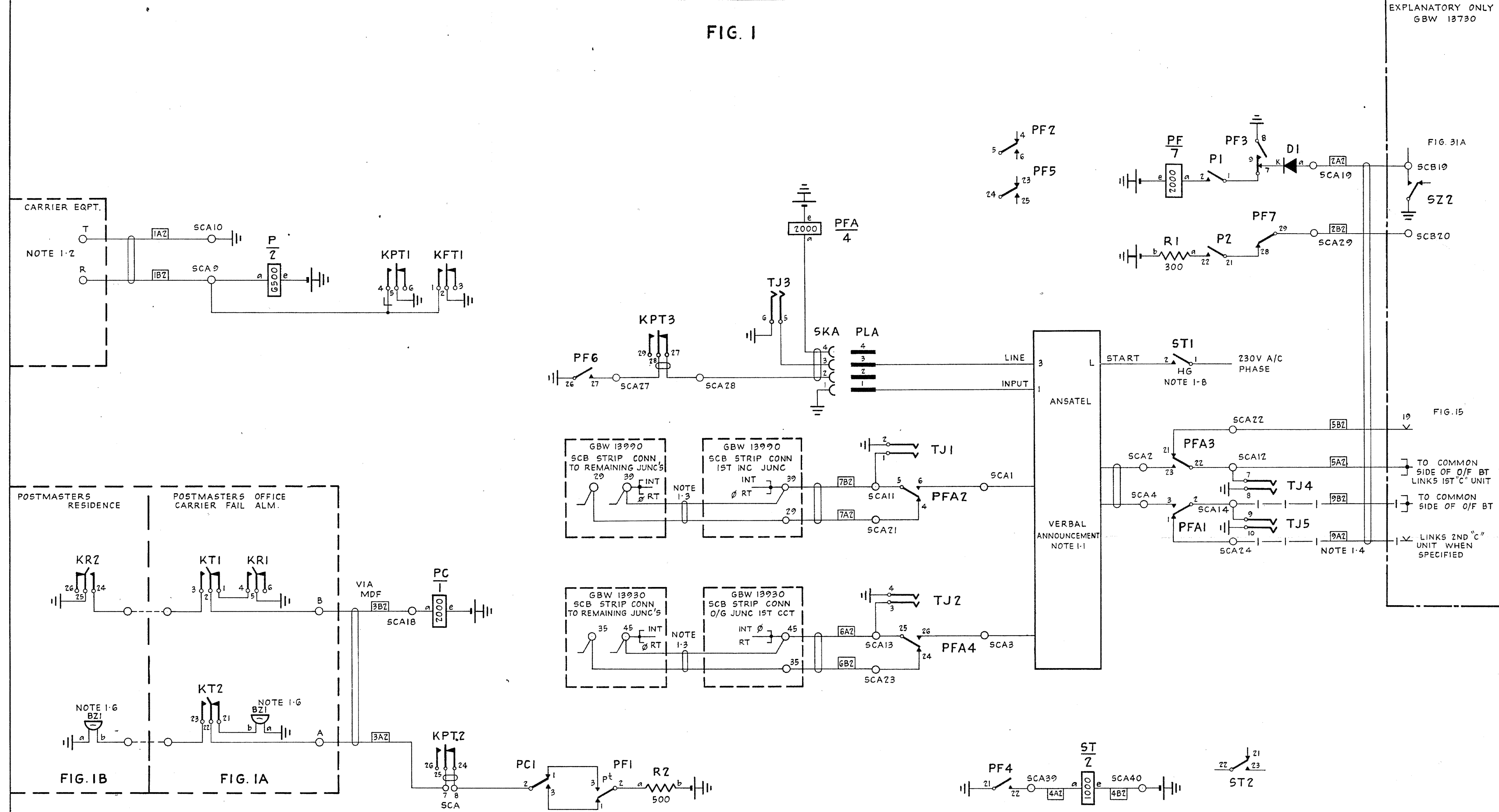


FIG. 1



- NOTES
- 1-1 FOR WIRING OF ANSATEL FOUR SEE DRG. 37189 SHTS 2 & 3
 - 1-2 SCA10 & SCA9 TO T&R TERM. ON CARRIER TERM. STRIP.
 - 1-3 GBW 13930 & GBW 13990 JUNC CCTS TO BE STRAPPED AS SHOWN
 - 1-4 ADD WIRING SHOWN —|—|— WHEN MORE THAN ONE "C" UNIT IS PROVIDED
 - 1-5 FUSING 1.0A PER CCT.
 - 1-6 TWO 1000-Ω COILS IN SERIES
 - 1-7 ALL WIRING TO BE 25 SWG UNLESS OTHERWISE SPECIFIED
 - 1-8 STANDARD 230V POWER REGULATIONS APPLY

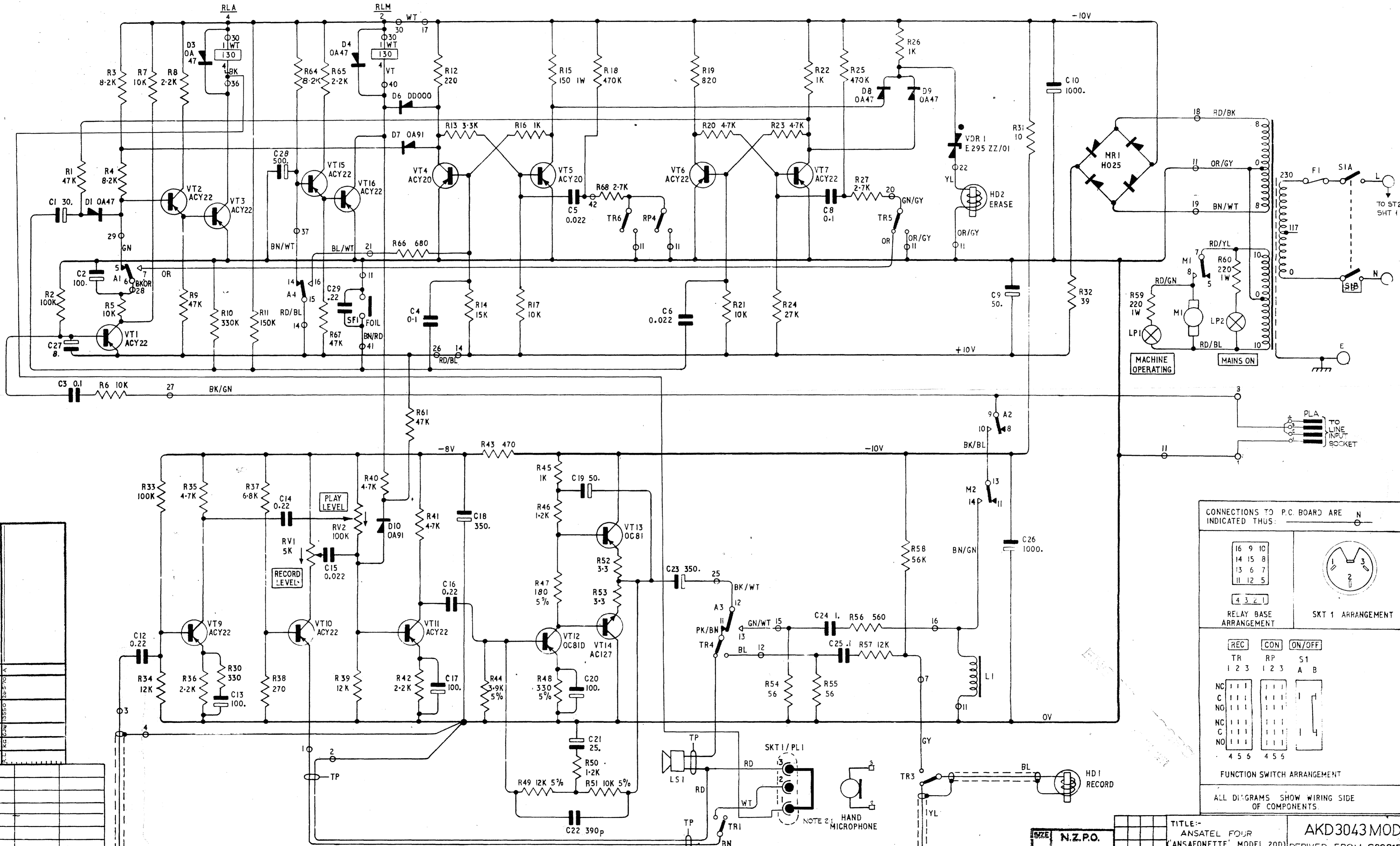
BATT BK 22 SWG FUSE 8BZ V - SCA40 - STe
 ETH R 22 SWG BAR 8AZ R - SCA10 - PF21 - PF26 - PF8
 - KFT2 - KPT5 - TJ2 - TJ4 - TJ6
 - TJ8 - TJ10 - SKA1

REC ATTN (KR) + TRANS (KT) 2 2
 PART TEST (KPT) + FULL TEST (KFT) 4 2

U.A.X. N.Z 13
 ROUTE INTERRUPTION
 ANNOUNCING EQUIPMENT

DEL	CKD	APD	ORDER	DATE	ISS	CHANGE
RGB	KG	CJW	13550	26-5-70	A	
1 OF 4						ENGINEER - IN - CHIEF, WELLINGTON
A2						ORIGIN: T-EQPT
						TRACED: R.G.B.
						37189

FU CHEVIOT 50V



CHANGE

DEL	ORDER	DATE	ISS
ALL	REG	CLAW	138550
			1265776 A

AGP			
26-1-67			
26/1/67			
AGP	ISSUE	MOD. No.	DATE
1			3-10-67

CONNECTIONS TO P.C. BOARD ARE INDICATED THUS: N

16	9	10	
14	15	8	
13	6	7	
11	12	5	

RELAY BASE ARRANGEMENT

REC	CON	ON/OFF
TR	RP	S1
1 2 3	1 2 3	A B

FUNCTION SWITCH ARRANGEMENT

NC	1	1	1	1	
C	1	1	1	1	
NO	1	1	1	1	
C	1	1	1	1	

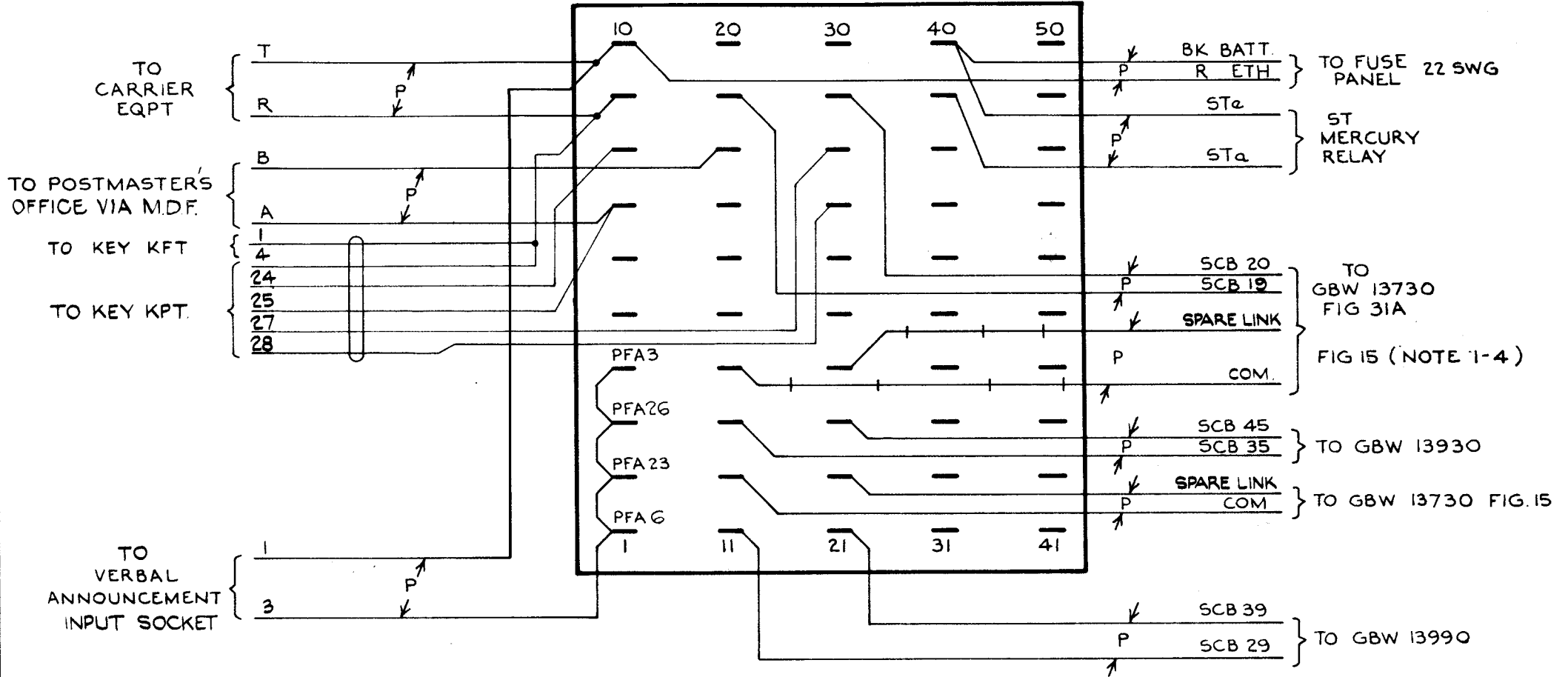
ALL DIAGRAMS SHOW WIRING SIDE OF COMPONENTS.

SIZE N.Z.P.O.
L 37189
SHEET 2 OF 4
MOD. STATE

TITLE:- ANSATel FOUR (ANSAFONETTE MODEL 20D) DERIVED FROM C20815
AKD3043 MOD
Plessey (NZ).

NOTE 2-1 CCT. SHOWN WITH DUMMY PLUG INSERTED (NORMAL OF CONDITION)

SCA



NOTE 3-1: ALL WIRING TO BE 25 SWG UNLESS OTHERWISE SPECIFIED.

UAX NZ13
ROUTE INTERRUPTION
ANNOUNCING EQUIPMENT

DEL	CKD	APD	ORDER	DATE	ISS	CHANGE
R.L.	KC	CJW	13550	26-5-70	A	

N.Z.P.O. ENGINEER-IN-CHIEF WELLINGTON	
	ORIGIN: T-EQPT
3 of 4	DRAWN: T-EQPT
A4	37189

RELAY CODES AND COMPONENTS LIST

RELAY NAME	B.C.C. CODE	N.Z.P.O. CODE	B.P.O. CODE	NOTES	S/L	COMPONENT DESIGNATION	B.P.O. CODE	COY. CODE	NOTES	S/L	MISC. COMPONENTS	NOTES	S/L
P	B2144			FIG. 1	WS	R1	9		300~ FIG 1	KB226	TERM. STRIP	(SCA) 121 FIG.1	LH205
PF	B11441P			" B	WS	R2	9		500~ "	KB279	MTG BKT	121A "	LH138
ST			3201	" 4-1, A, B	AF452	D1		IN4003 OR EQUIV	DIODE "	K905	MTG PLATE	F151/20AH "	LH661
PFA	B13615			"	L102D						RESIS POST	2.5 " "	K89A
PC	B2017			"	L97D						TEST JACK	12PT 2IG "	LC148
											KEY	171 (MOD)(KPT+KFT) "	K511
											KEY	ERIC.N930Z(KR+KT) FIGS IA&IB	K521 G
											BUZZER	20A FIG IA & IB	K33

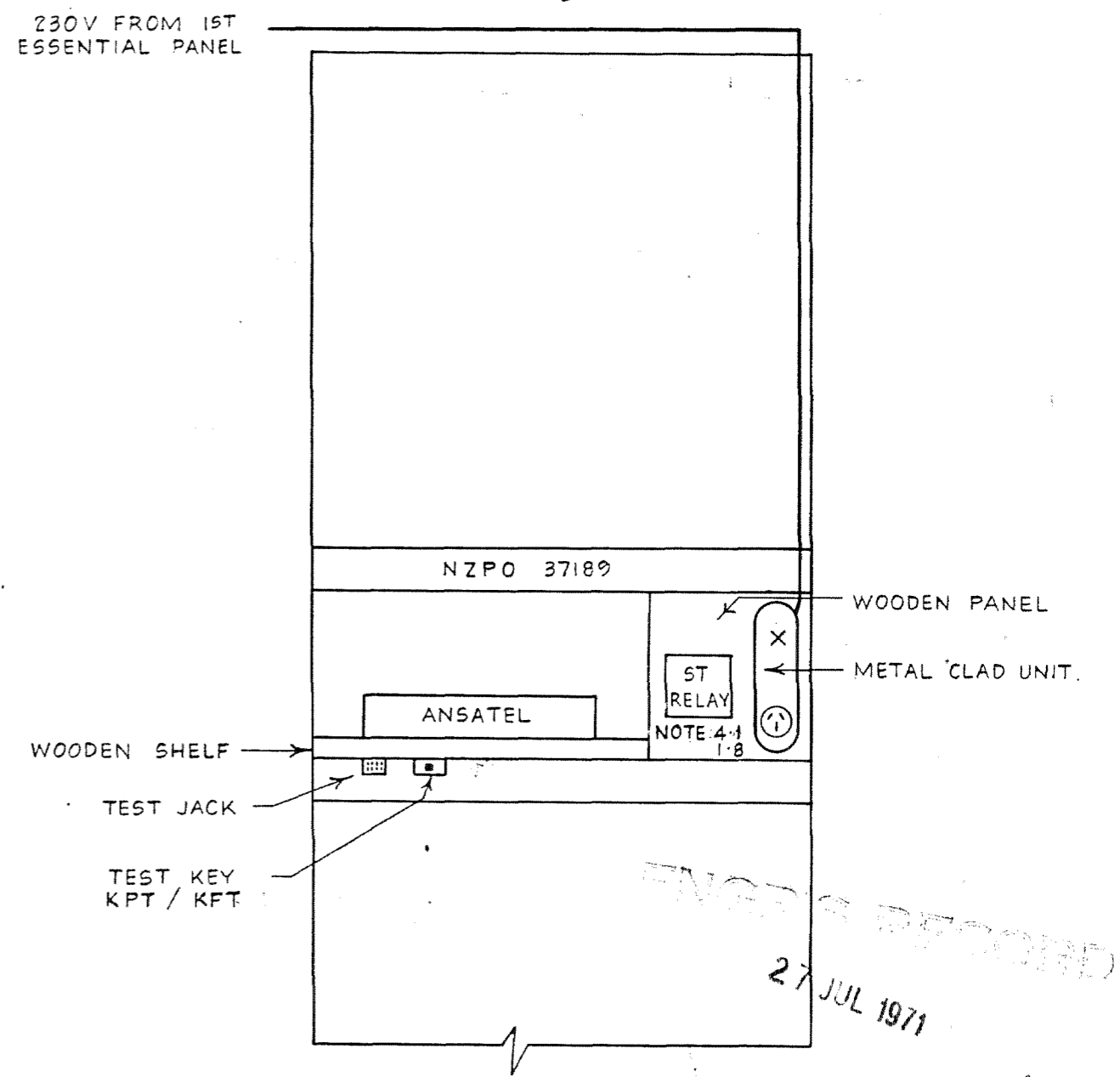
NOTES
 A- SPECIAL FACTORS OF SAFETY B- SPECIAL ADJUST. C- CCT. POINTS OR MODS.

P	R1/2		SCA	+	+	+	+	+	+
PF	PC	PFA		+	+	+	+	+	+

MTG PLATE F151/20AH 2x10

NOTE
 4-1 MERCURY RELAY UNIT LOCAL MTG ARRANGEMENT FOR ADJUSTMENT REF. POWER GEN D5001.
 4-2 FIGS IA & IB EQUIPMENT, LOCAL MOUNTING ARRANGEMENTS.
 4-3 BPO 100 TYPE KEY FIG.1, B.P.O. 1000 TYPE FIG.1A, IB USED AT CHEVIOT

PART B3 UNIT



<h3 style="margin: 0;">UAX NZ 13</h3> <h3 style="margin: 0;">ROUTE INTERRUPTION</h3> <h3 style="margin: 0;">ANNOUNCING EQUIPMENT.</h3>						DEL R.L. CKD XG APD CJW ORDER 13550 DATE 26-5-70 ISS A	CHANGE	N. Z. P. O. ENGINEER-IN-CHIEF WELLINGTON COY. NO: 4 of 4 A3	ORIGIN: T-EQPT. TRACED: R. L. 37189
--	--	--	--	--	--	---	--------	--	---