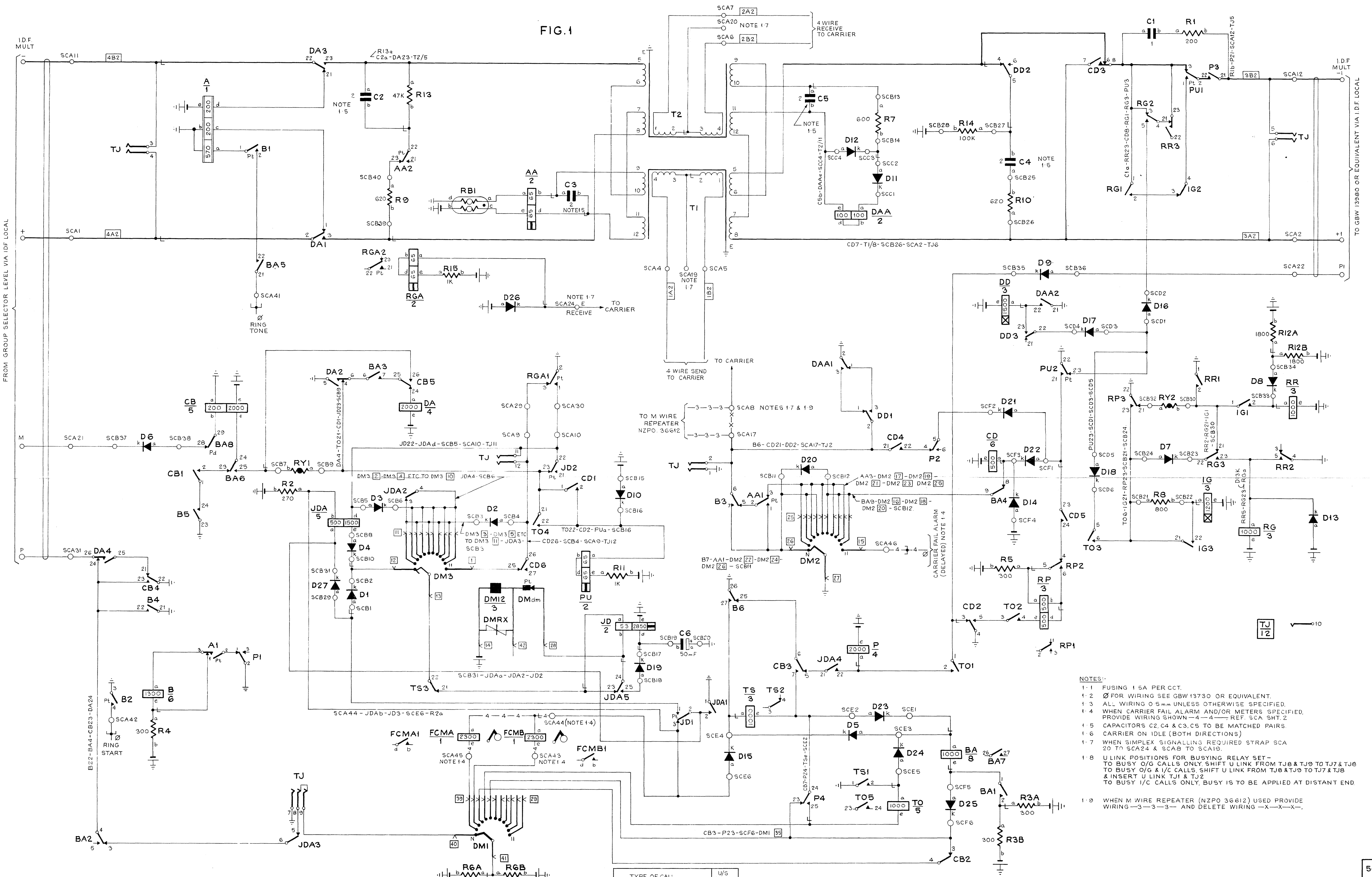


FIG. 1



- NOTES:
- 1-1 FUSING 1.5A PER CCT.
 - 2 Ø FOR WIRING SEE GBW 13730 OR EQUIVALENT.
 - 3 ALL WIRING 0.5mm UNLESS OTHERWISE SPECIFIED.
 - 4 WHEN CARRIER FAIL ALARM AND/OR METERS SPECIFIED, PROVIDE WIRING SHOWN -4-4- REF. SCA SHT. 2
 - 5 CAPACITORS C2, C4 & C3, C5 TO BE MATCHED PAIRS.
 - 6 CARRIER ON IDLE (BOTH DIRECTIONS)
 - 7 WHEN SIMPLEX SIGNALLING REQUIRED STRAP SCA 20 TO SCA24 & SCA19.
 - 8 U LINK POSITIONS FOR BUSYING RELAY SET -
 TO BUSY O/G CALLS ONLY, SHIFT U LINK FROM TJ8 & TJ9 TO TJ7 & TJ8
 TO BUSY O/G & I/C CALLS, SHIFT U LINK FROM TJ8 & TJ9 TO TJ7 & TJ8
 & INSERT U LINK TJ1 & TJ2
 TO BUSY I/C CALLS ONLY, BUSY IS TO BE APPLIED AT DISTANT END
 - 9 WHEN M WIRE REPEATER (NZPO 36612) USED PROVIDE WIRING -3-3-3- AND DELETE WIRING -X-X-X-

TYPE OF CALL	U/S POSN.
O/G CALL FROM TOLL TO UAX	4
I/C CALL FROM UAX TO TOLL	3
I/C CCB FROM UAX TO TOLL	5
RELEASE ALARM	11

BATT BK 0.7mm FUSE [5B2] SCA50 R2b-R11b-R12Ab-R12Bb-R3Ab-R3Bb-R4b-R5b-R6Ab-R6Bb D26a Ae-RB1b-CBe-RE-DAe-7-RGe-CDe-DDe-IGe-Pe-DM [14]-JDe-R15b-SCB15-SCB28 D13a SCF4

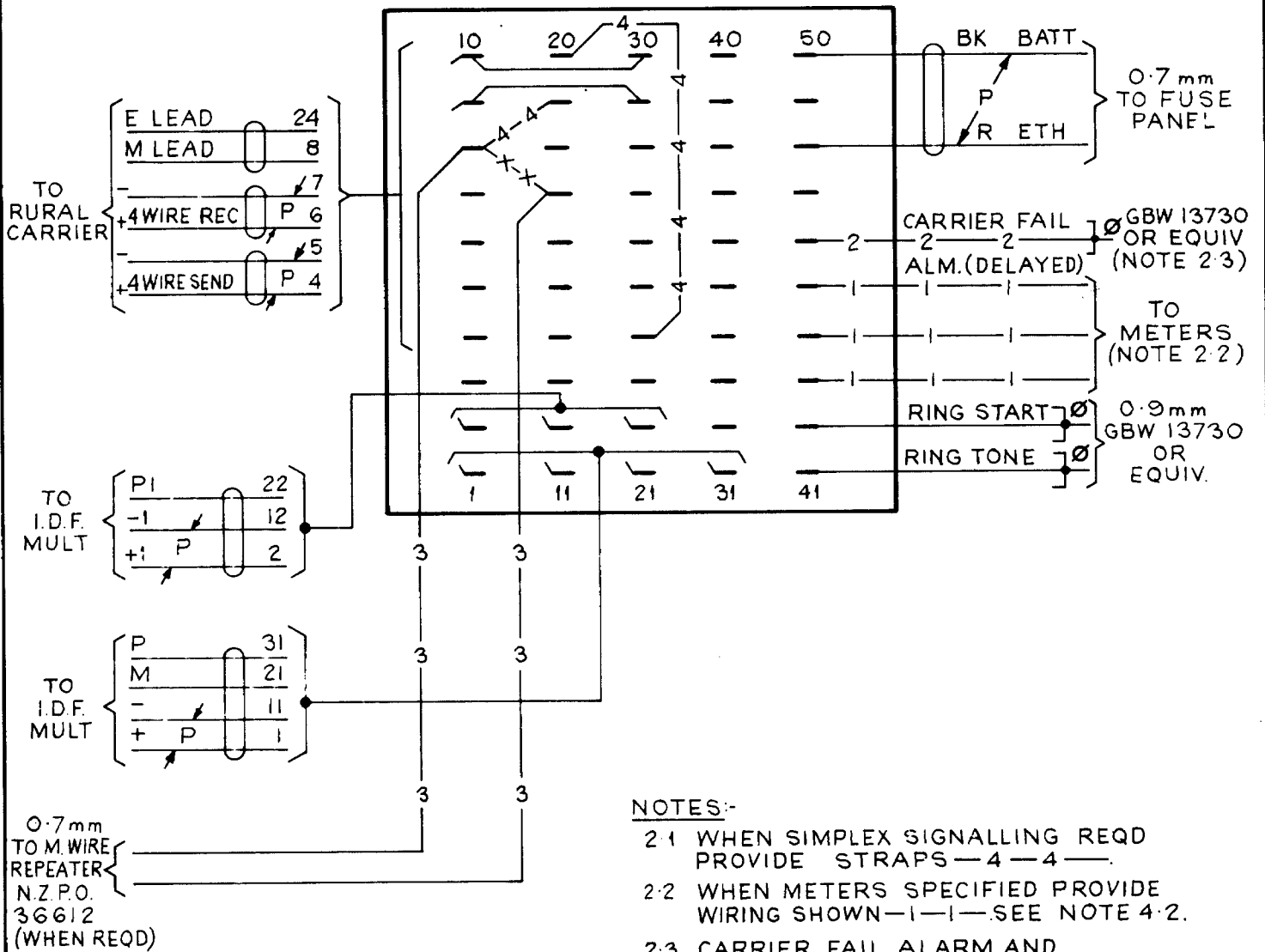
ETH. R 0.7mm ETH.BAR [5A2] SCA48 R Ab-B21-B23-B26-B3-CB22-CBa-RB1d-DA5-RR1-RR4-DAA21-DAA2-CD4-P2 -PU22-RP22-TS1-DM [27]-JDA1-TI/E-TZ/E-SC20-(RGA2)-TJ1-TJ7

50V

**BOTHWAY JUNCTION RELAY SET
FUJITSU RURAL CARRIER
U.A.X. NZ 13 (LIMITED FACILITY)**

DEL. CKD	APD	ORDER	DATE	ISS	CHANGE	N.Z.P.O.
GBW	K.G.	C.W.	12/25/64	21-753	RETRACTED FROM ISS. E OF 21-771. WIRING FOR M WIRE REPEATER PROVIDED. I27 ADDED WIRING JDA AND JDA AMENDED WIRE SIZE 5 CONVERTED TO METRIC	ENGINEER-IN-CHIEF, WELLINGTON
AP3	GRH	C.W.	12/25/64	21-753		ORIGIN T-EDPT
1 OF 4 DRAWN: T-EDPT TRACED: GHB						A1 36603

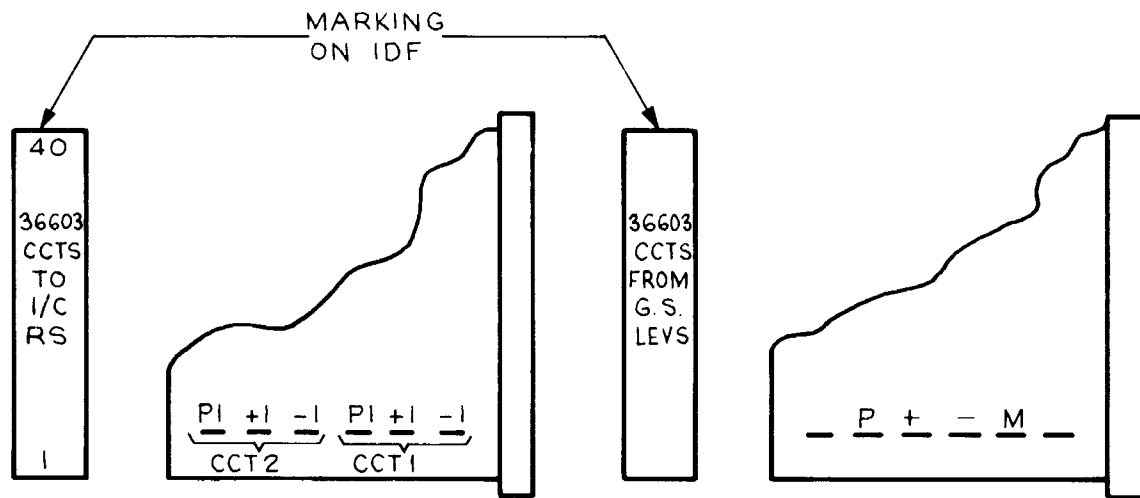
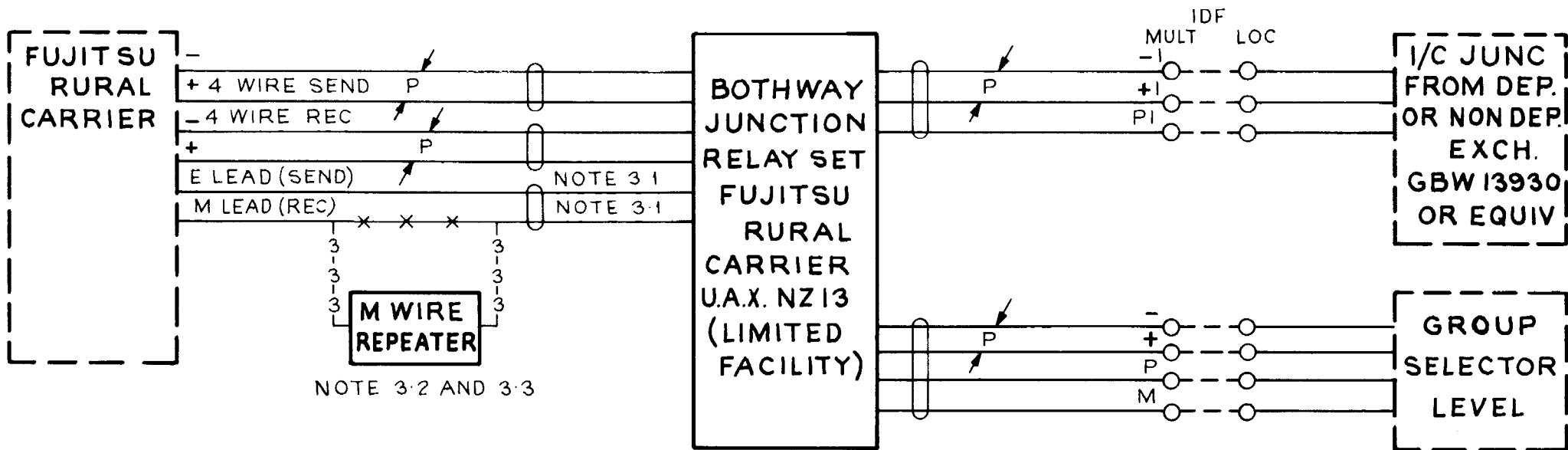
SCA



NOTES:-

- 2.1 WHEN SIMPLEX SIGNALLING REQD PROVIDE STRAPS—4—4—.
- 2.2 WHEN METERS SPECIFIED PROVIDE WIRING SHOWN—1—1—SEE NOTE 4.2.
- 2.3 CARRIER FAIL ALARM AND CONNECTIONS SHOWN—2—2—ONLY PROVIDED WHEN SPECIFIED.
- 2.4 ALL WIRING TO BE 0.5mm UNLESS OTHERWISE SPECIFIED.
- 2.5 WHEN M WIRE REPEATER SPECIFIED PROVIDE WIRING—3—3—3— AND DELETE CONNECTION—X—X—X—.

DEL	CKD	APD	ORDER	DATE	ISS	CHANGE	N.Z.P.O. ENGINEER-IN-CHIEF, WELLINGTON.	
GHB	KG	CJW	93394	2.7.69	A	RETRACED FROM ISS. E OF 21.7.71. M WIRE REPEATER WIRING SHOWN. NOTE 2.5 ADD. WIRE SIZES CONVERTED TO METRIC	BOTHWAY JUNCTION RELAY SET FUJITSU RURAL CARRIER U.A.X.NZ 13 (LIMITED FACILITY)	
APS	GRH	CJW	122066	21.9.73	F			
							2 OF 4	36603
					ORIGIN: T-EQPT	A4		
					DWN: T-EQPT	TCD: GHB		



NOTES:-

- 3.1 WHEN SIMPLEX SIGNALLING REQD, DELETE E & M LEADS & SEE NOTE 1.7
- 3.2 WHEN M.WIRE REPEATER SPECIFIED PROVIDE CONNECTIONS -3-3-3- AND OMIT CONNECTIONS -X-X-X-
- 3.3 M. WIRE REPEATER EQUIPED WHEN USED WITH GEC. OR STC. RURAL CARRIER SYSTEMS

**BOTHWAY JUNCTION
RELAY SET
FUJITSU RURAL CARRIER
U.A.X. NZ13 (LIMITED FACILITY)**

DEL	CKD	APD	ORDER	DATE	ISS
GHB	KG	CJW	93394	2.7.69	A
APS	GKH	CJW	122066	21.9.73	F

CHANGE	
RETRACTED FROM ISS. E OF 21.7.71	
M. WIRE REPEATER ADDED NOTE 3.2	
AND 3.3 ADDED	

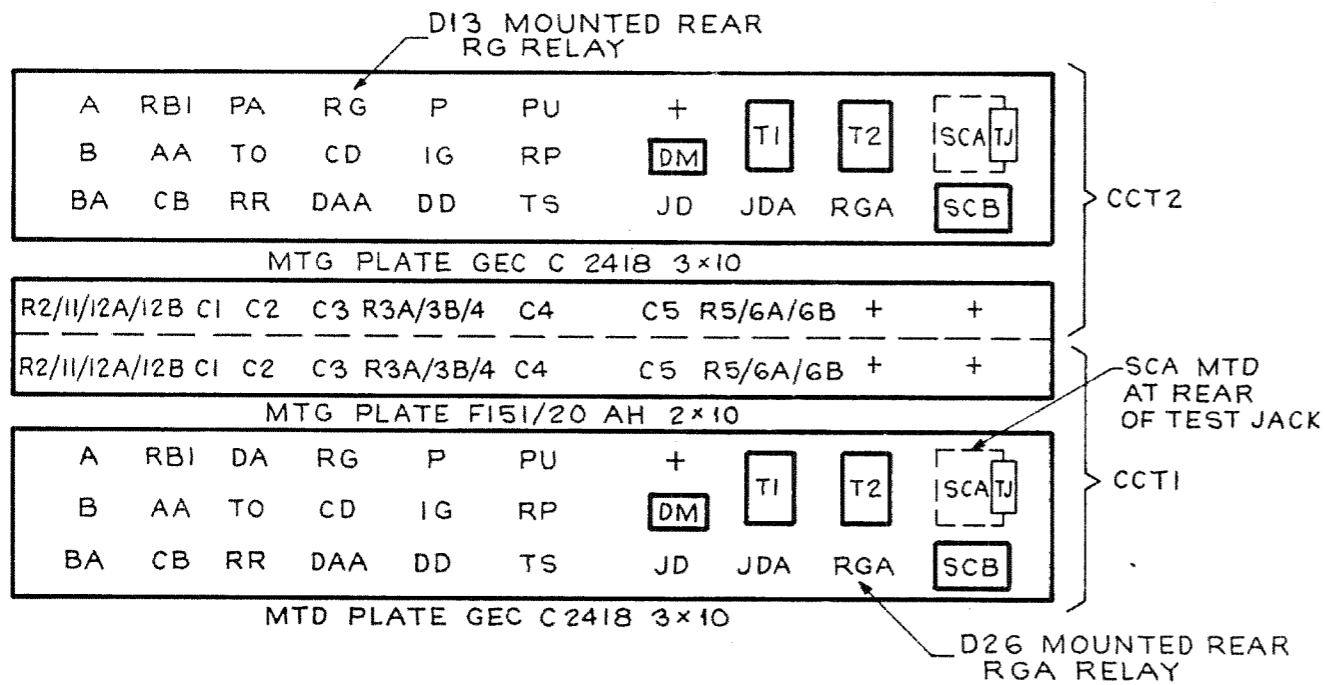
N.Z.P.O.	
ENGINEER-IN-CHIEF, WELLINGTON	
3 OF 4	DRAWN: T-EQPT
A4	TRACED: GHB
36603	

RELAY CODES AND COMPONENTS LIST

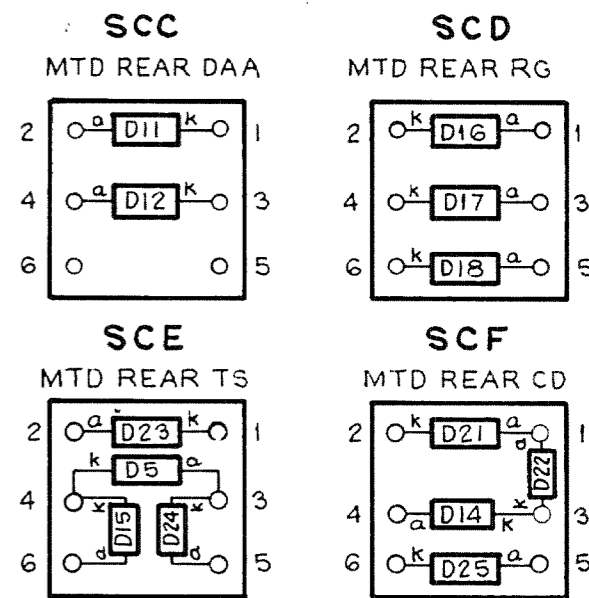
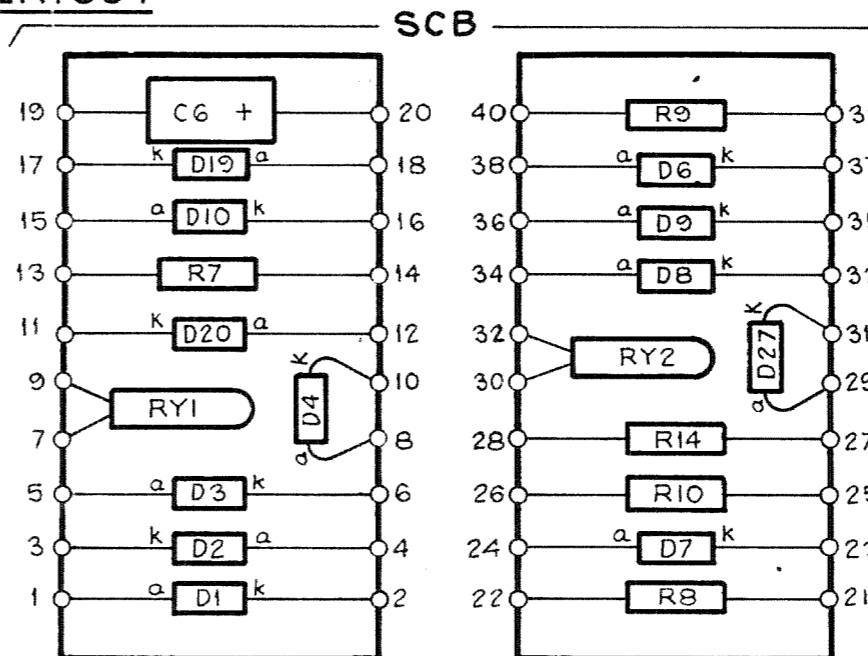
RELAY NAME	B.C.C. CODE	N.Z.P.O. CODE	B.P.O. CODE	COY. CODE	NOTES	STOCK LIST NO.	COMPONENT DESIGNATION	B.P.O. CODE	COY. CODE	NOTES	STOCK LIST NO.	MISC. COMPONENTS	NOTES	STOCK LIST NO.
A	B1426A				B	L244H	R1	6		200 ⁿ MTD Cib	KB169	DM	U/S BPO 4/3IA	LG 300 LG 323
AA	HSD710				B	LD90B	R2	9		270 ⁿ	KB213	RES POSTS	2" & 3.5"	KB9B KB9
B	B60375P					L93B	R3A/R3B/R4	9		300 ⁿ	KB226	STRIP CONN	121 (SCA)	LH205
BA		50527 BA				L79	R5/R6A/R6B	9		300 ⁿ	KB226	SC BRACKET	121 A	LH138A
CB		54201AB				L168E	R7		RADIO TYPE	600 ⁿ 2W 5% MTD SCB	L.P.	CAP CLIP	42	KC404
DA	B 2171				B	L102E	R8		RADIO TYPE	800 ⁿ 1/4 W 5% MTD SCB	ER224	STRIP CONNS	176 A (SCB)	LH664
JD		HSD NZ806			B	LD92	R9, R10		RADIO TYPE	620 ⁿ 1/4 W 5% MTD SCB	ER853K	TERM. STRIP	1/DST (SCC), (SCD), (SCE) (SCF), MTD REAR OF DAA, RG, TS, CD.	LH814
JDA		54203 AB				L175	R11	12		1K	KB344			
TS		50524 BB				L75H	R12A/R12B	12		1800 ⁿ	KB378	H/S REL COVER	BW, REL'S AA, PU, DA	LD72B
CD		50523 AD				L59C	R13		RADIO TYPE	47K 1/4 W 5% MTD C2	ER245	MESSAGE REGISTERS	151A NOTE 4.2	K740B
DAA	B14899					L166	R14		RADIO TYPE	100K 1/4 W 5% MTD SCB	ER249	JACK	216	LC14B
DD	B15628					L385	RB1	1		BARRETT	K14	JACK MTG		LH661H
IG	B5933					L390	TI-T2		TRIMAX	TA 2272 TRANSFORMER	CA12	IDF TERM STRIP	41A (OR EQUIV. WHEN REOD)	LH215
PU	HSD 710				B	LD90B	RY1-RY2	1A		THERMISTOR MTD SCB	K972A	COIL NUT	1/SNU/22 (RGA FIG. 1)	LE795A
P	B60417					L102C	C1	101		1mF	KC256	RES. POST		KB9H
RP	B5932					L172B	C2-C5	102		2mF	KC317	SCREWS	4BA x 3/8" FOR LH814	LH610
RG		50473 AD4				L75F	C6		RADIO TYPE	50mF ELECTROLYTIC MIN. 50V	LP	INS. PLATE	ISPL/196	LE811
RR		50472 AD12				L75J	DI-27		IN4003	DIODES	K905	MTG. PLATE	GEC C2418	LH670
TO	B5649					L77A	R15	9		1K MTD. COIL NUT REAR RGA.	KB343	MTG. PLATE	F151/20AH	LH661
RGA	HSD 710				B	LD90B								

NOTES

A - SPECIAL FACTORS OF SAFETY B - SPECIAL ADJUST. C - CCT. POINTS OR MODS.



LAYOUT



LP = LOCAL PURCHASE

NOTES:-
4.1 CAPACITORS 2 & 3, 4 & 5 TO BE MATCHED PAIRS ± 1%.
4.2 MESSAGE REGISTERS FCMA/B ONLY PROVIDED WHEN SPECIFIED. TEMPORARY MOUNTINGS TO BE ARRANGED LOCALLY

**BOTHWAY JUNCTION
RELAY SET
FUJITSU RURAL CARRIER
U.A.X. NZ 13 (LIMITED FACILITY)**

DEL	CKD	APD	ORDER	DATE	ISS	CHANGE
GHB	KG	CJW	93394	27.7.69	A	
APS	GRH	CJW	122066	21.9.73	F	RETRACED FROM ISS. E OF 21.7.71 D27 ADDED

N.Z.P.O. ENGINEER-IN-CHIEF WELLINGTON	
COY. NO.:	ORIGIN: T-EQPT.
4 OF 4	DRAWN: T-EQPT. TRACED: GHB
A3	36603

MASTER TRACING 28433