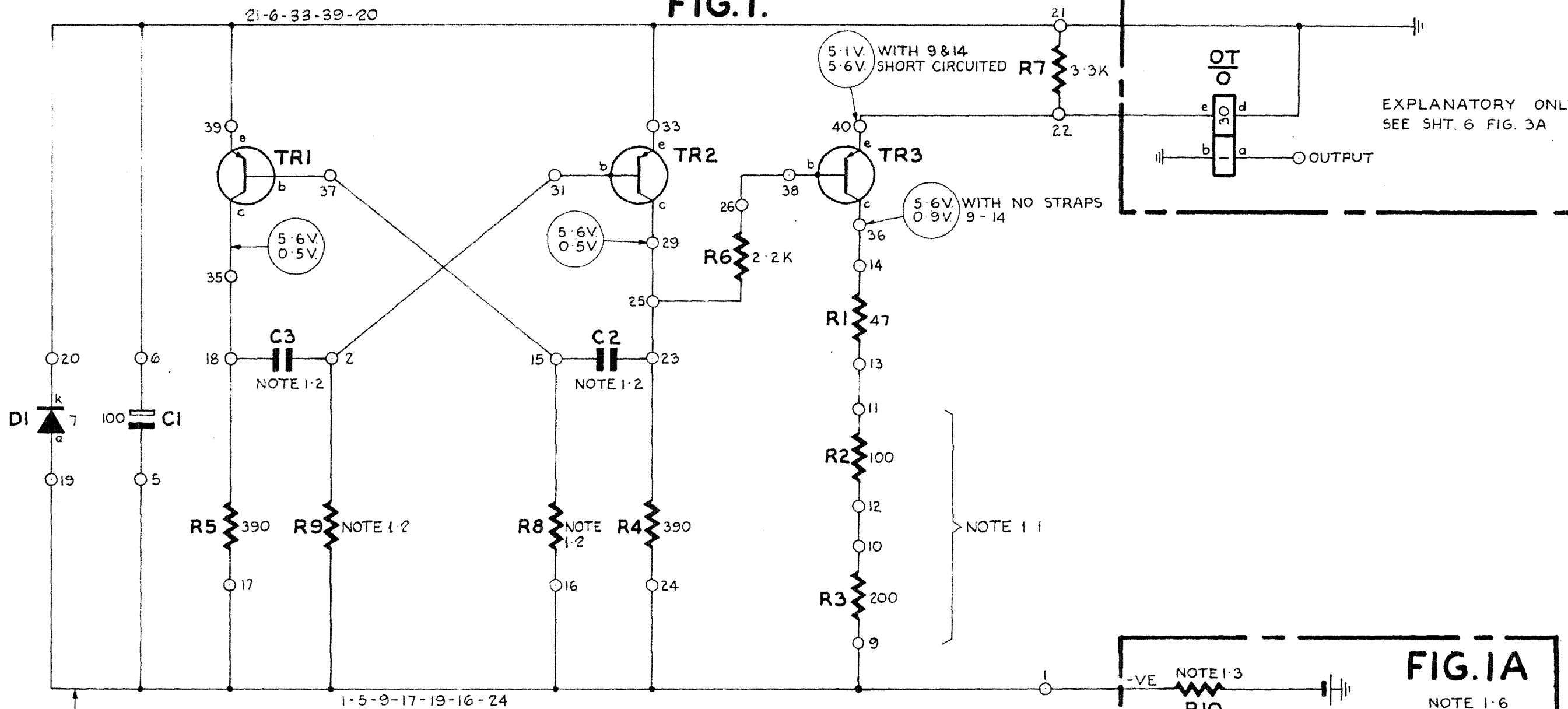


1		2		3		4		5	
SHT NO	SIZE	SUB-TITLE				ISSUE			
26									
27									
28									
29									
30									
31									
32									
33									
34									
35									
36									
37									
38									
39									
40									
41									
42									
43									
44									
45									
46									
47									
48									
49									
50									
1									
2									
3									
4									
5									

D		ELECTRONIC UNITS		D	
DRN: T-EQPT		CKD: KFM		ORIGIN: T-EQPT	
TCD: JLR		APPD: JR		STANDARD	
NZPO ENGINEER - IN - CHIEF, WELLINGTON.					
ISS DATE		DEL DC		ORDER CKD APD	
D 5 9 80 JLR RR 63304 KFM JR		A 19 3 69 AP RRR 93370 WG CIW		OF 14 1 76, SHTS 8&9 ADDED IND. REDRAWN FROM ISS C	
CHANGE		INDEX		SIZE A3	
				36579	

FIG. 1.



NOTES:-

- 1.1 R2-R3 STRAPPED TO GIVE REQUIRED OUTPUT LEVEL.
- 1.2 C2 & C3 R8 & R9 VALUE GIVEN IN TABLE A.
- 1.3 SEE TABLE B FOR R10 VALUE
- 1.4 FUSED WITH ASSOCIATED EQUIPMENT.
- 1.5 TYPICAL VOLTAGE FIGURES ARE SHOWN NEGATIVE WITH RESPECT TO EARTH MEASURED ON MODEL 8 AVO. THE HIGHER VOLTAGES ARE WITH TRANSISTOR "OFF" THE LOWER WITH TRANSISTOR "ON"
- 1.6 POWER SUPPLY VIA R10 FIG. 1A OR WHEN REQUIRED VIA FIG. 3B SHT. 6.
- 1.7 ALL WIRING TO BE 25SWG UNLESS OTHERWISE SPECIFIED.

TABLE B

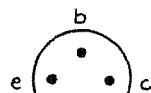
R10 VALUE	SUPPLY VOLTAGE	TOLERANCE	POWER RATING	B.P.O CODE
680	60V	10%	8W	
560	50V	10%	8W	9
220	24V	10%	5W	9

TABLE A

C2 & C3	R8 & R9	FREQUENCY
0.15μF ± 2%	12K 1% ¼W	400HZ
0.12μF ± 2%	68K 1% ¼W	900HZ

ENGR'S RECORD

REAR VIEW OF TRANSISTORS



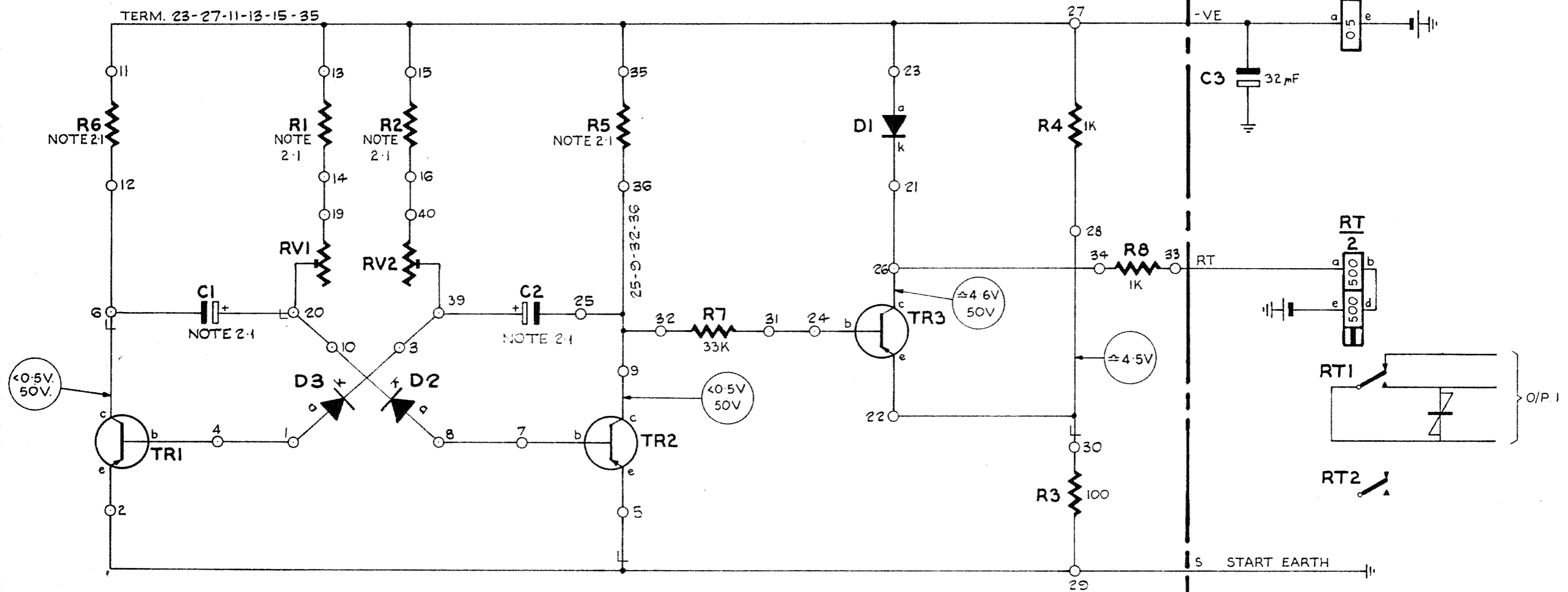
TRANSISTOR OSCILLATOR
VARIABLE OUTPUT

DATE	ISS	CHANGE
19369	A	
15.7.70	B	NOTES 1.1 1.2 & TABLE A REV SEP
14.1.76	C	MINOR CCT CONNECTION CHANGES

24V 50V 60V		N.Z.P.O.	
ENGINEER - IN - CHIEF WELLINGTON.		COY. No:	ORIGIN: T.EQPT.
SIZE	SHT	DRAWN: T.EQPT	TRACED: A.P.
S	1	36579	

FIG. 2

FIG. 2A



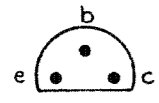
NOTES:-

- 2.1 THE VALUES OF R1, R2, R5 & R6 RV1 & RV2 C1 & C2 ARE SHOWN IN TABLE 'A'. RV1 & RV2 ARE TO BE ADJUSTED TO GIVE CORRECT CADENCE.
- 2.2 TYPICAL VOLTAGE FIGURES SHOWN ARE NEGATIVE WITH RESPECT TO EARTH MEASURED ON MODEL 8 AVO. THE HIGHER VOLTAGE IS WITH TRANSISTOR "OFF"; THE LOWER VOLTAGE IS WITH TRANSISTOR "ON".
- 2.3 ALL WIRING TO BE 25 SWG. UNLESS OTHERWISE SPECIFIED.

TABLE A

CADENCE	NOM. TIME M/S	R1	RV1	R2	RV2	R5	R6	C1	C2
BUSY TONE	500/500	56K	47K	56K	47K	4.7K	4.7K	8μF	8μF
FLICKER ETH.	150/150	27K	22K	27K	22K	1.5K	1.5K	5μF	5μF

REAR VIEW OF TRANSISTORS



ENGR'S RECORD

50V

CADENCE GENERATOR

DATE	ISS	CHANGED	N.Z.P.O.	
1973.69	A		ENGINEER-IN-CHIEF WELLINGTON	
1977.0	B	D2 & D3 ADDED. LAYOUT & TABLE A REVISED.	COY. N°:	ORIGIN: T.EQPT.
			SIZE SHT.	DRAWN: T.EQPT. TRACED: A.P.
			S 2	36579

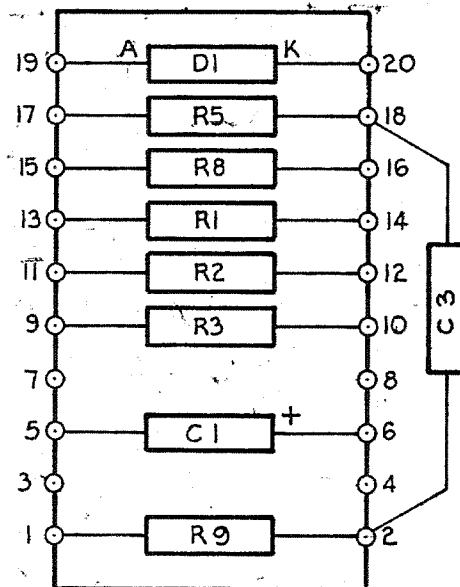
RELAY CODES AND COMPONENTS LIST

RELAY NAME	B.C.C. CODE	N.Z.P.O. CODE	B.P.O. CODE	COY. CODE	NOTES	COMPONENT DESIGNATION	B.P.O. CODE	COY. CODE	NOTES	SL.Nº	MISC. COMPONENTS	NOTES
						TRI, 2 & 3		2N4356	TRANSISTOR	CC703		
						D1	SZ 56A OR BZY96C5V6		ZENER DIODE	LP		
						C1		RADIO TYPE	100 µF 12V ELECTROLYTIC	LP		
						C2-C3		" "	NOTE 4-1	LP		
						R1		" "	47~ RADIO TYPE 1W 5%	ER409		
						R2		" "	100~ " " ½W "	ER852B		
						R3		" "	200~ " " ¼W "	ER852J		
						R4-R5		" "	390~ " " " "	ER853E		
						R6		" "	2.2K " " " "	ER855A		
						R7		" "	3.3K " " " "	ER855E		
						R8-R9		" "	NOTE 4-1	LP		
						R10		" "	FIG. 1A NOTE 4-2	LP		
						STRIP CONN.	176A		SCA	LHGG4		

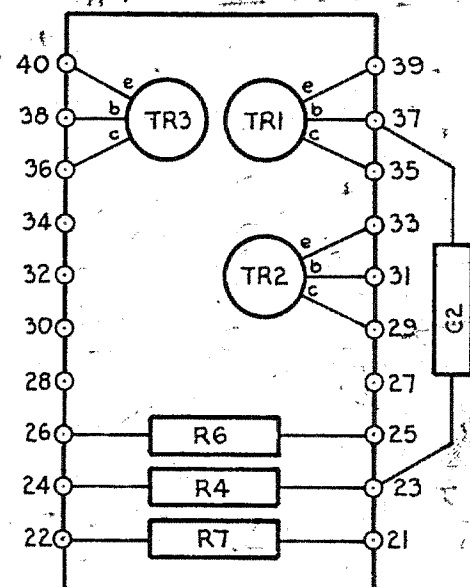
NOTES

A- SPECIAL FACTORS OF SAFETY B- SPECIAL ADJUST. C- CCT. POINTS OR MODS.

SCA



LAYOUT



NOTES:-

- 4-1 SEE TABLE A SHEET 1 FOR C2 - C3, R8 & R9 VALUE.
- 4-2 SEE TABLE B SHEET 1 FOR R10 VALUE.
- 4-3 SEE SHEET 3 FOR MTG. PLATE LAYOUT.

ENGR'S RECORD

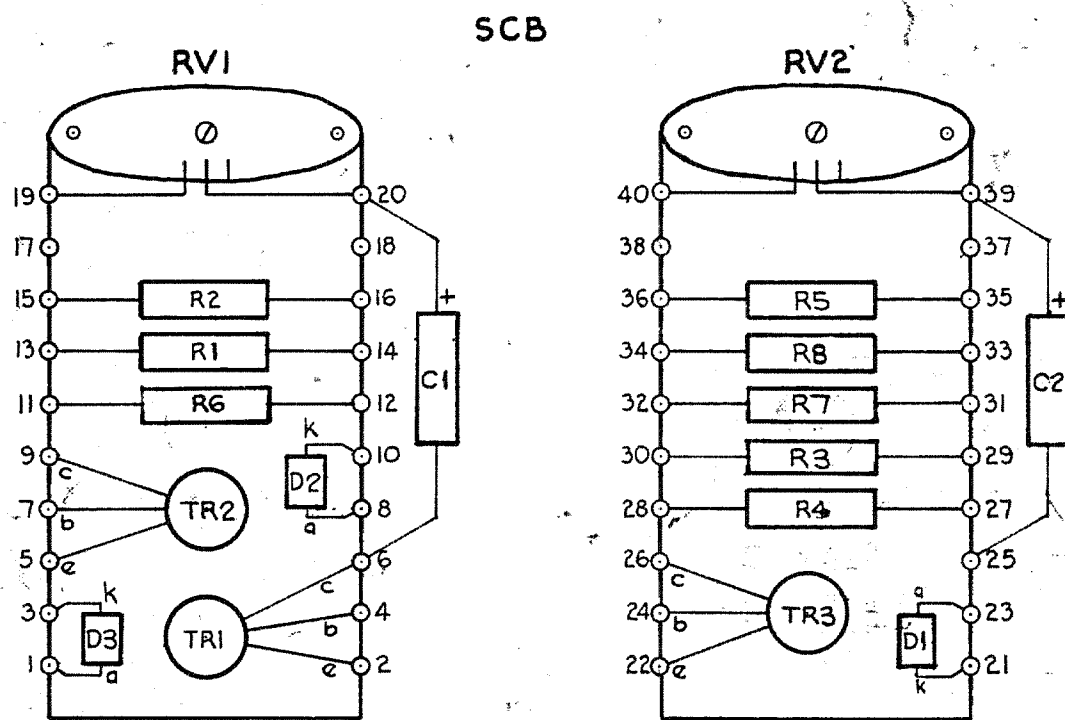
**TRANSISTOR OSCILLATOR
(R.C.C.L. FOR FIG. 1 & 1A)**

DATE	ISS	CHANGE	N.Z.P.O.
12-3-69	A		ENGINEER-IN-CHIEF WELLINGTON
15-7-70	B	R1 R2 VALUES & NOTE 4-1 REVISED	COY. Nº: /
14-1-76	C	SCA LAYOUT REVISED	ORIGIN: T-EQPT.
			SIZE SHT. DRAWN: T-EQPT. TRACED: A.P.
			S 4 36579

COMPONENTS DESIGNATION	COY. CODE	B.P.O. CODE	NOTES	S.L.Nº	COMPONENT DESIGNATION	B.P.O. CODE	COY. CODE	NOTES	S.L.Nº	MISC. COMPONENTS	NOTES
TR1,2 & 3	2N4356		TRANSISTOR	LP	TR1,2 & 3		2N4356	TRANSISTOR	LP		
D1 - D3	HS 1009 OR EQUIV.		DIODE	K905	D1 - D3		HS 1009 OR EQUIV.	DIODE	K905		
C1 - C2	RADIO TYPE ELECTROLYTIC		8µF-10%+50% MIN 50V	LP	C1 - C2		RADIO TYPE ELECTROLYTIC	5µF-10%+50% MIN. 50V.	LP		
R1 - R2	RADIO TYPE		¼W 10% NOTE 5-1	LP	R1 - R2		RADIO TYPE	¼ W 10% NOTE 5-1	LP		
R3	RADIO TYPE		100Ω 5W 5%	LP	R3		" "	100Ω 5W 10%	LP		
R4	RADIO TYPE		1K 3W 5%	LP	R4		" "	1K 3W 10%	LP		
R5	RADIO TYPE		1W 10% NOTE 5-1	LP	R5		" "	2W 10% NOTE 5-1	LP		
R6	RADIO TYPE		1W 10% NOTE 5-1	LP	R6		" "	2W 10% " "	LP		
R7	RADIO TYPE		33K ¼W 5%	ER857G	R7		" "	33K ¼W 10%	ER857G		
R8	RADIO TYPE		1K 2W 5%	LP	R8		" "	1K 1W 10%	LP		
RV1 - RV2	PHILLIPS		¼ W 10% NOTE 5-1	LP	RV1 - RV2		PHILLIPS	¼ W 10% NOTE 5-1	LP		
STRIP CONN.		176A	SCB	LH664	STRIP CONN.	176A		SCB	LH664		

NOTES

A - SPECIAL FACTORS OF SAFETY B - SPECIAL ADJUST. C - CCT. POINTS OR MQDS.



LAYOUT

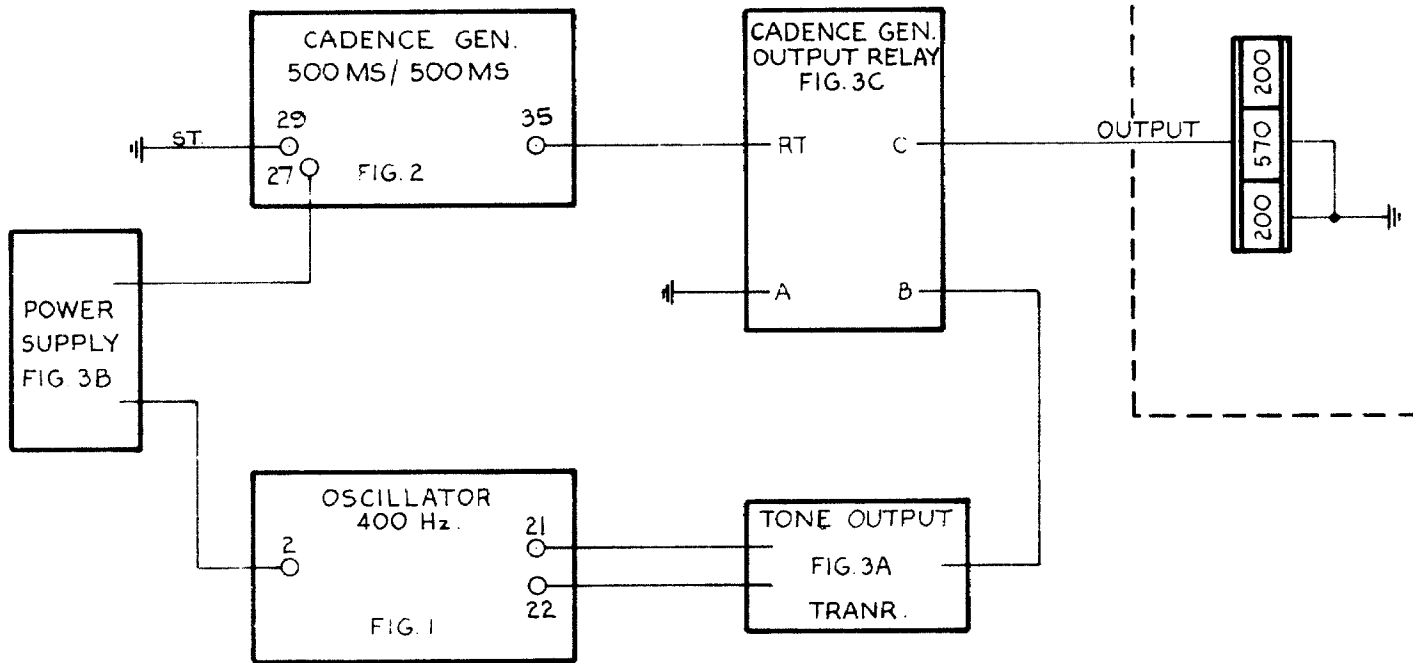
NOTES:-
5-1 FOR VALUE OF R1,2,5, RV1 & 2 SEE TABLE A SHT. 2

FILED'S RECORD

<p>CADENCE GENERATOR (R.C.C.L. FIG. 2)</p>		DATE	ISS.	CHANGE	<p>N.Z.P.O. ENGINEER-IN-CHIEF WELLINGTON</p>
		15-3-69	A		
		15-7-70	B		COY. N°:
SIZE	SHT.	DRAWN:	T-EQPT.	TRACED:	A.P.
S	5				36579

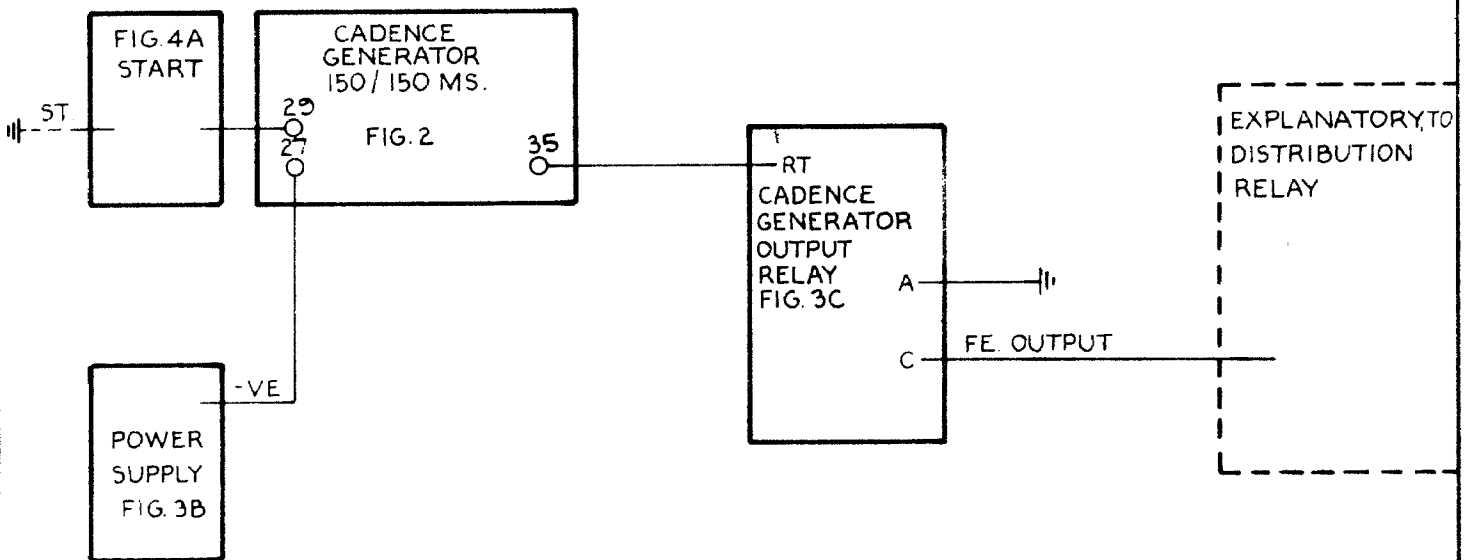
FIG. 5

TYPICAL ONLY



B.T. GENERATOR

FIG. 6



F.E. GENERATOR

DATE	ISS	CHANGE	N.Z.P.O. ENGINEER-IN-CHIEF WELLINGTON
19369	A		<p align="center">APPLICATIONS BUSY TONE & F/EARTH GENERATOR</p>
15770	B	MINOR AMENDMENTS FIG 5 & 6.	
		COY. N°:	SIZE SHT.
		ORIGIN: T.EQPT.	F 7 36579
		DWN.T.EQPT. TCD: A.P.	

EXPLANATORY ONLY

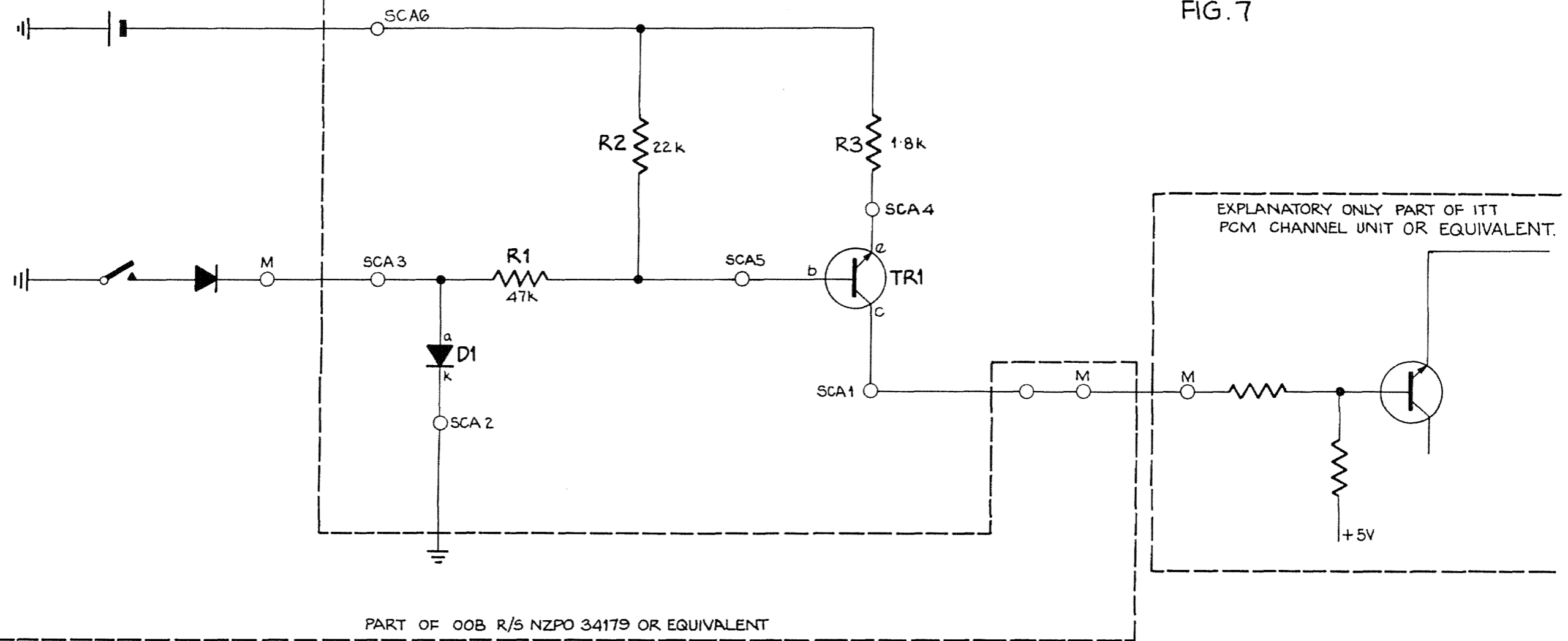


FIG. 7

NOTE
8.1 FUSED WITH ASSOCIATED EQUIPMENT.

ENGR'S RECORD

50V

		EARTH PULSE REPEATER		DRN: T-EQPT	CKD: KFM	ORIGIN: T-EQPT
				TCD: JLR	APPD: JR	STANDART
		NZPO ENGINEER -IN- CHIEF, WELLINGTON.				
		3-9-80		SIT 8		36579
ISS	DATE			CHANGE		

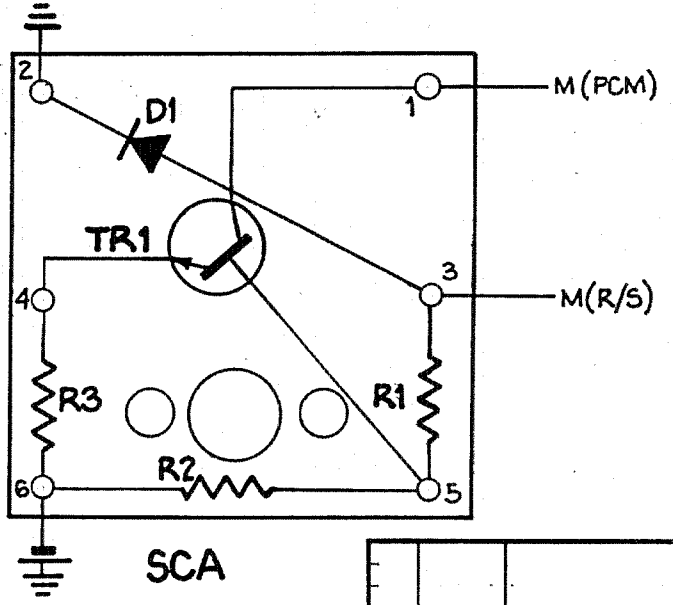
UD 235

RELAY CODES AND COMPONENTS

RELAY NAME	B.C.C. CODE	NZPO CODE	B.P.O. CODE	COY. CODE	NOTES	STOCK LIST NO	COMPONENT DESIGNATION	B.P.O. CODE	COY. CODE	NOTES	STOCK LIST NO	MISC COMPONENTS	NOTES	STOCK LIST NO
							TR1		2N3568	TRANSISTOR (N-P-N)	CM115			
							D1		1N4007	DIODE (OR EQUIV.)	K903			
							R1		RADIO TYPE	47k Ω RADIO TYPE 1/2W5%	ER345			
							R2		" "	22k Ω RADIO TYPE 1W5%	ER441			
							R3		" "	1.8k Ω RADIO TYPE 2W5%	LOCAL PURCHASE			
							SCA	1/DST/844		TERMINAL STRIP	LH814			

NOTES

A - SPECIAL FACTORS OF SAFETY B - SPECIAL ADJUST C - CCT. POINTS OR MODS



LAYOUT

ENGR'S RECORD

EARTH PULSE REPEATER (RCCL)

DRN: T-EQPT	CKD: KFM	ORIGIN: T-EQPT
TCD: JLR	APPD: JR	STANDARD
NZPO ENGINEER-IN-CHIEF, WELLINGTON.		
	SHT 9	36579
	SIZE A3	

A	3-9-80	
ISS	DATE	CHANGE