

SHT. No	SIZE	SUB-TITLE	ISSUE						
1	L	(FIG. 1) 4 WIRE ROUTED SCHEMATIC 600 OHM TERM. NOTE	B	C					
2	F	U POINT WIRING FOR FIG 1 NOTE	B						
3	F	CROSS CONNECTIONS FOR FIG 1 NOTE	B						
4	S	RCCL FOR FIG. 1 NOTE	B	C					
5	A1	(FIG. 2) 4 WIRE ROUTED SCHEMATIC 600 OHM TERM. NOTE	A	B	C				
6	A1	(FIG 3) 4 WIRE ROUTED SCHEMATIC 900 OHM TERMINATION (WITH RACK MOUNTED OPTION)	A	B	C	D			
7	A4	U POINT WIRING FOR FIGS. 2 & 3	A						
8	A4	CROSS CONNECTIONS FOR FIGS. 2 & 3	A						
9	A3	RCCL FOR FIGS. 2 & 3 (WITH RACK MOUNTED OPTION)	A	B	C	D	E		
10	A4	5CE TERMINAL STRIP WIRING FOR FIG. 3	A						
11									
12									
13									
14									
15									
16									
17									
18									
19									
20									
21									
22									
23									
24									
25									
26									
27									
28									
29									
30									

NOTES

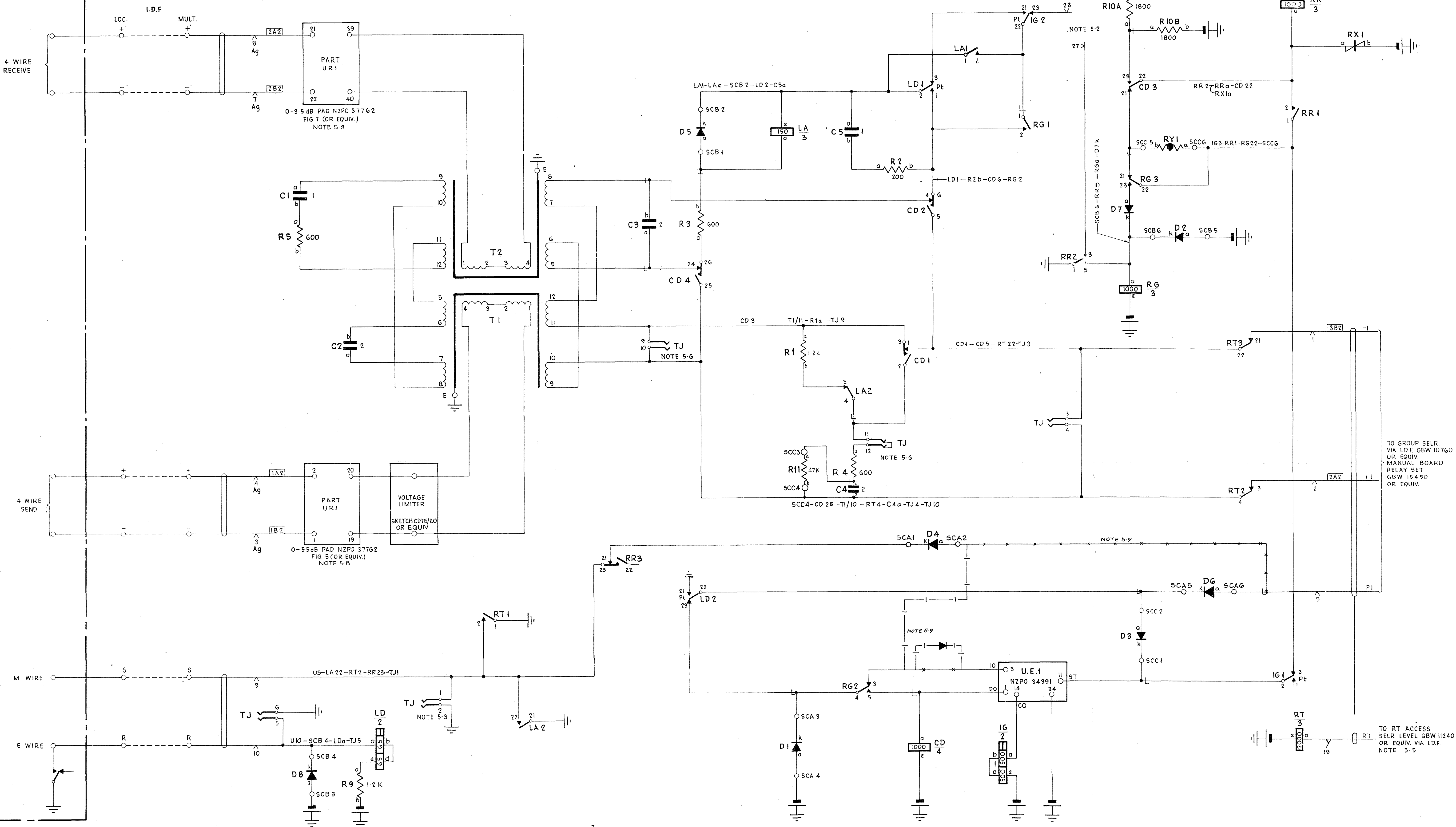
FIG. 1. NOT TO BE USED FOR NEW WORK

FIG. 2. SHEET 5 NOT TO BE USED WITHOUT PRIOR APPROVAL OF E IN C. T. EQPT SECTION

MASTER TRACING 33850

DEL	CKD	APD	ORDER	DATE	ISS	CHANGE	N Z P O ENGINEER-IN-CHIEF WELLINGTON							
PMC	KG	CJW	99776	14.8.73	B	SHEETS 1-4 AMENDED & SHEETS 5-9 & INC. ADDED.	<p align="center">INCOMING JUNCTION RELAY SET OUT-OF-BAND SIGNALING 7000 TYPE (INDEX SHEET)</p>							
C.P.	A	NTE	122897	16.5.74	C	SHT 1 & 2 AMENDED								
CRN	KG	CJW	68468	8.5.75	D	SHEETS 1, 2, 3 AMENDED								
KG	EB	JR	28294	22.6.83	F	SHT 6 & 3 AMD 6000 ADDED								
G.U.	IAA	GCG	72329	16.2.84	F	SHT 5, 6 & 9 AMD 12000								
<table border="1"> <tr> <td>COY. No</td> <td>IND</td> <td rowspan="3">34195</td> </tr> <tr> <td>ORIGIN: T-EQPT.</td> <td>A4</td> </tr> <tr> <td>DWN: T-EQPT. TCD: P.M.C.</td> <td></td> </tr> </table>							COY. No	IND	34195	ORIGIN: T-EQPT.	A4	DWN: T-EQPT. TCD: P.M.C.		
COY. No	IND	34195												
ORIGIN: T-EQPT.	A4													
DWN: T-EQPT. TCD: P.M.C.														

FIG. 2



- NOTES:-
- 5-1 FUSING 1.5 A PER CCT.
 - 5-2 STRAP U POINTS 23-27 ONLY WHEN TRUNK OFFER SIGNAL REQUIRED.
 - 5-3 TO BACK BUSY JUNCTION INSERT LINK IN TJ 1 AND 2 OR BUSY ASSOCIATED I/C SELR. OR M/B R/S.
 - 5-4 U POINTS 9 AND 11 TO MAKE WHEN THE RELAY SET IS REMOVED.
 - 5-5 RT LEAD 15 TO BE CONNECTED TO RT ACCESS SEL. LEV. TERMINALS ASSOCIATED WITH THE PARTICULAR GROUP SELECTOR.
 - 5-6 TEST JACKS 9 AND 10, 11 AND 12 PROVIDED FOR TRANSMISSION TEST PURPOSES ONLY. DURING TRANSMISSION TESTING CONNECT TMS TO TJ 9 AND 10, REMOVE LINK FROM TJ 11 AND 12 AND OPERATE RT RELAY.
 - 5-7 ALL WIRING TO BE 0.5mm UNLESS OTHERWISE SPECIFIED.
 - 5-8 LEVEL ADJUST PADS WILL BE REQUIRED WHEREVER THEY ARE NOT SEPARATELY INSTALLED WITH THE TRANSMISSION EQUIPMENT.
 - 5-9 WHEN TRUNK OFFER CALLS ORIGINATE FROM AN ASC VIA A NEAX EXCHANGE PROVIDE CONNS SHOWN — 1 — AND DELETE THOSE SHOWN — 2 —

TEST JACKS AND TEST JACK LINKS													
R/S NORMAL	JUNCTION BUSIED												
<table border="1"> <tr><td>7</td><td>R</td><td>12</td></tr> <tr><td>6</td><td>R</td><td>12</td></tr> </table>	7	R	12	6	R	12	<table border="1"> <tr><td>7</td><td>R</td><td>12</td></tr> <tr><td>6</td><td>R</td><td>12</td></tr> </table>	7	R	12	6	R	12
7	R	12											
6	R	12											
7	R	12											
6	R	12											
NOTE 5-6	NOTE 5-3												

BATT. BK. FUSE 0.7mm **4B2** V U12-SCA4-SCB3-SCB5-RTe-RRRe-CDe-RGe-UE 34-16e-R9b-R10Ab-R10Bb
 ETH. R ETH. BAR 0.7mm **4A2** R U11-T1E-T2E-LA21-RT1-LD21-RR4-TJ2-TJ6

NOT TO BE USED WITHOUT PRIOR APPROVAL
OF E.I.N.C TELEPHONE EQUIPMENT SECTION

TECHNICAL RECORDS
(Main Division)

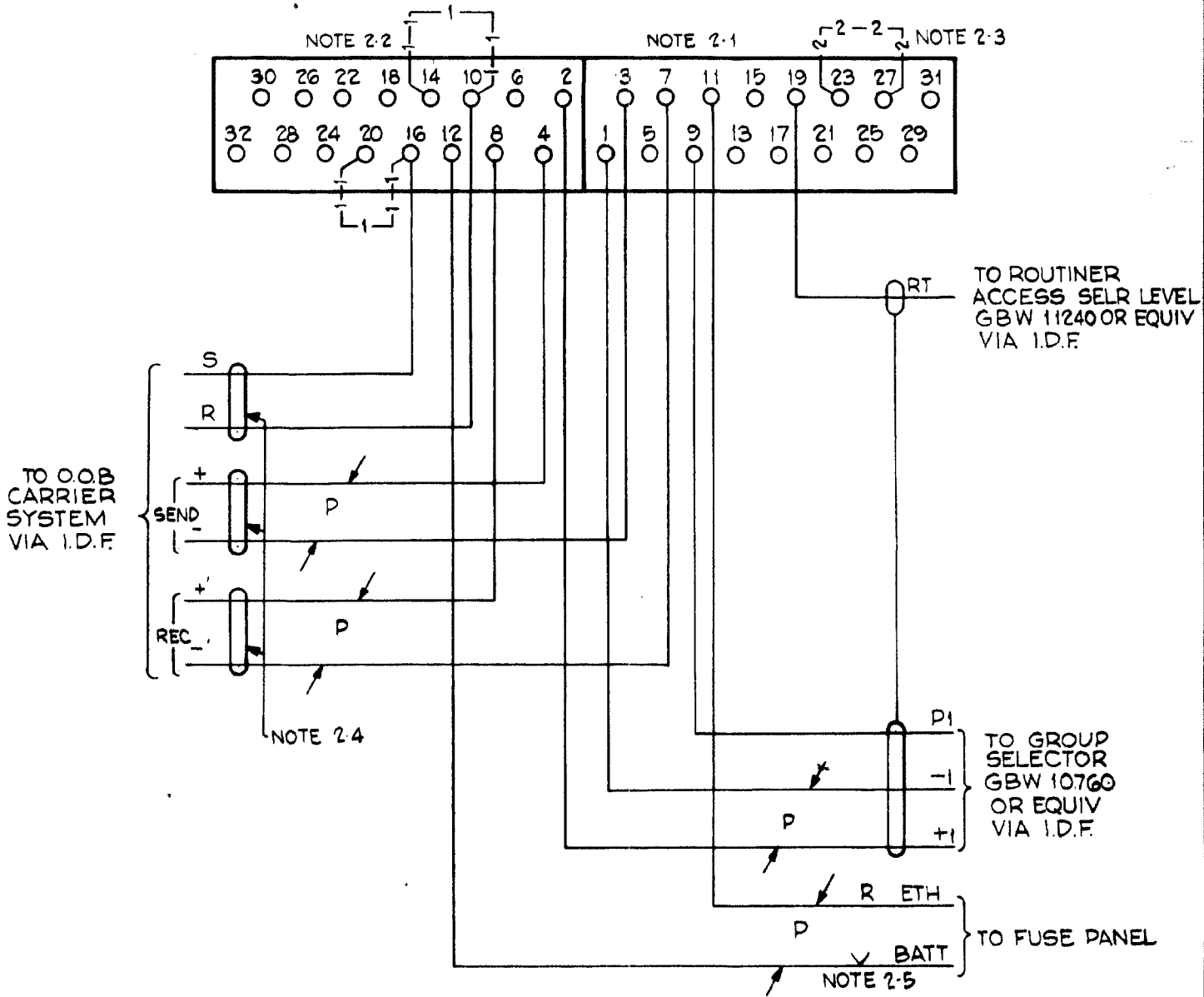
50 V

**INCOMING JUNCTION RELAY SET
OUT-OF-BAND SIGNALLING
4 WIRE ROUTED SCHEMATIC (600 OHM TERMINATION)**

DATE ISS	CHANGE	ENGINEER-IN-CHIEF, WELLINGTON.
14.8.73	CL. TO CORRECT FOR NZPO 34991	COY N°
16.2.74	AMB TO NZP 72	ORIGIN: T.E.O.P.T.
17.2.77	NOTE 5-9 ADDED	SHT. 5 DRAWN: T.E.O.P.T. TRACED: P.M.C.

AT 34195

AS SEEN FROM REAR



NOTES

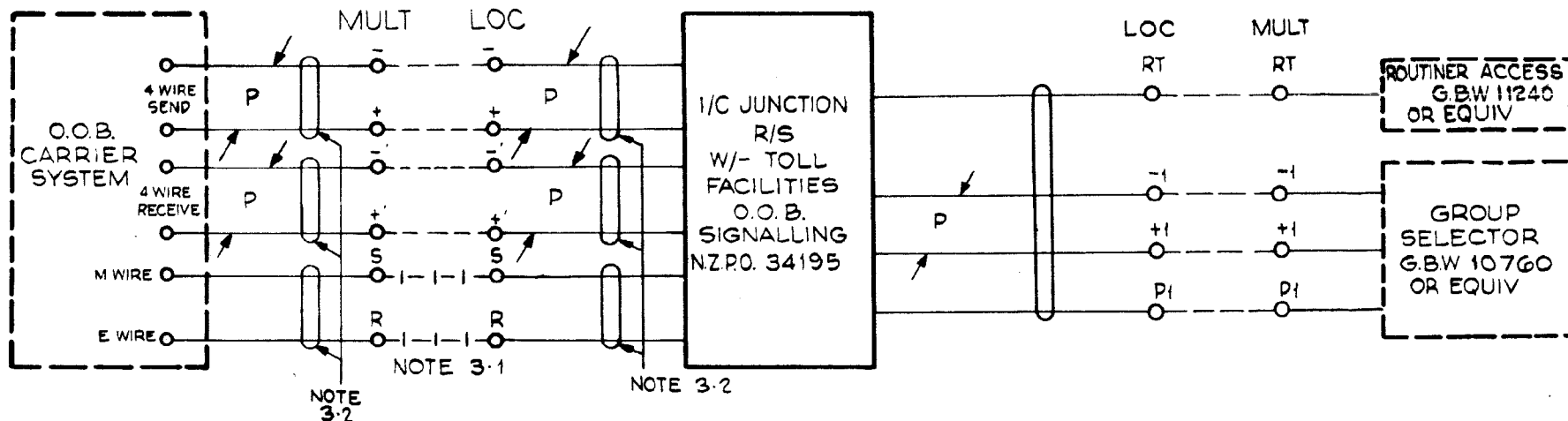
- 2-1 U POINTS 9 & 11 TO MAKE WHEN RELAY SET REMOVED
- 2-2 WHEN E & M WIRES OF CARRIER SYSTEM ARE SUPERIMPOSED OVER SPEECH PATHS ADD CONNECTIONS SHOWN - 1-1 -
- 2-3 WHEN TRUNK OFFERING IS REQUIRED ADD CONNECTIONS SHOWN - 2-2 -
- 2-4 SEND, RECEIVE, AND CONTROL LEADS MUST BE IN 3 SEPARATE CABLES.
- 2-5 ON EARLY EQUIPMENT BATTERY WIRE WAS BLK

NOT TO BE USED FOR NEW WORK

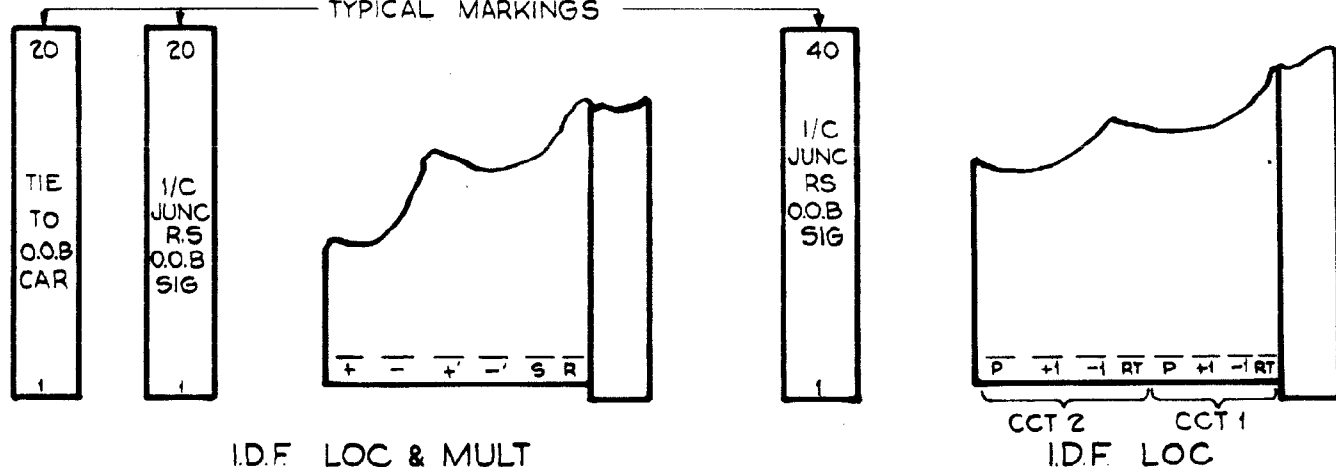
REL	CKD	APD	ORDER	DATE	ISS	CHANGE	N.Z.P.O. ENGINEER-IN-CHIEF, WELLINGTON
DCW	26	20	53195	7-8-67	A		INCOMING JUNCTION RELAY SET OUT-OF-BAND SIGNALLING U POINT WIRING FOR FIG. 1
				14-8-79	B	WAS SHEET 2 OF 4. RESTRICTION OF USE NOTE ADDED.	
COY N° : _____ SIZE SHT.							34195
ORIGIN : T.EQPT							
DWN : T.EQPT / CD : DCW							F 2

I.D.F.

I.D.F.



TYPICAL MARKINGS



I.D.F. LOC & MULT

I.D.F. LOC

NOTES.

- 3-1 WHEN E & M WIRES OF CARRIER SYSTEM ARE SUPERIMPOSED OVER SPEECH PATHS, REMOVE JUMPERS SHOWN -1-1-
- 3-2 SEND, RECEIVE, AND CONTROL LEADS MUST BE IN 3 SEPARATE CABLES.

NOT TO BE USED FOR NEW WORK

INCOMING JUNCTION RELAY SET
OUT-OF-BAND SIGNALLING
CROSS CONNECTIONS FOR FIG. 1

DEL	CKD	APP	ORDER	DATE	ISS	CHANGE
DCW	ll	ew	53795	17-8-67	A	
				14.8.73	B	WAS SHEET 3 OF 4. RESTRICTION OF USE NOTE ADDED.

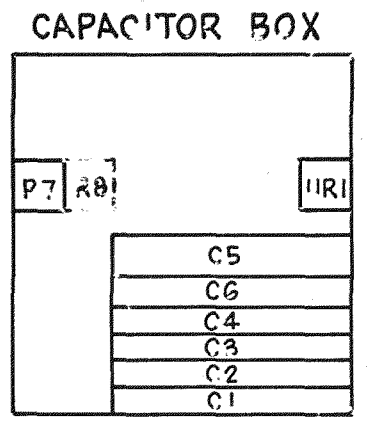
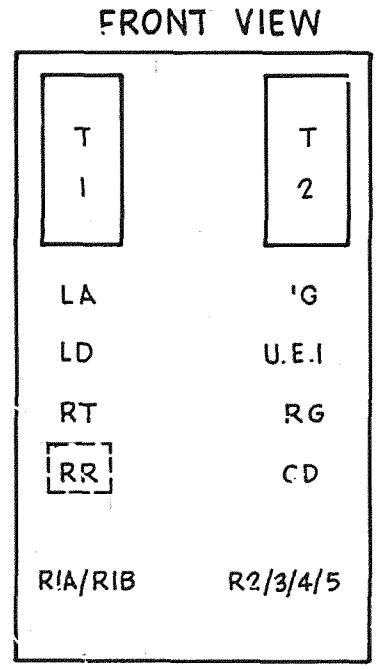
N.Z.P.O.			
ENGINEER - IN-CHIEF, WELLINGTON			
COY NO		ORIGIN: T.EQPT	
SIZE	SHT	DRAWN: T.EQPT	TRACED: DCW
F	3	34195	

RELAY CODES AND COMPONENTS LIST

RELAY NAME	B.C.C. CODE	N.Z.P.O. CODE	B.P.O. CODE	COY. CODE	NOTES	STOCK LIST N ^o	COMPONENT DESIGNATION	B.P.O. CODE	COY. CODE	NOTES	STOCK LIST N ^o	MISC. COMPONENTS	NOTES	STOCK LIST N ^o
CD		50471 AD II					RIA & RIB	12		1800 ^Ω		MTG. PLATE	RS 2/3000 / 14 W/- CAPACITOR BOX	
IG	HSD 716						R2, R4 & R5	12		600 ^Ω				
LA		54229 AA					R3	12		200 ^Ω		U POINT PLUG	PLUG P70 3201	
LD	HSD 505						R6			47K ^Ω MTD. ON C4 1/4 WATT 5%				
RG		50473 AD 4					R7			AS SPECIFIED		RES POST		
RR		50472 AD 12					R8	9		1000 ^Ω		RES POST		
RT	B6005						C1	101		1 ^μ F				
							C2 & C3	102C		2 ^μ F MUST BE MATCHED PAIR ±1%				
							C5			AS SPECIFIED		SCA	MTD. REAR OF CD 1/DST/844	
							C4 & C6	102C		2 ^μ F MUST BE MATCHED PAIR ±1%		SCB	MTD. REAR OF LA 1/DST/844	
							D1 & D2		HS 1009 OR EQUIV.	MTD. ACROSS RG RELAY		VOLTAGE LIMITER	NOTE 4-1	
							D3		HS 1009 OR EQUIV.	MTD. ON SCA			SKETCH CD 75/20 OR EQUIV.	
							D4		HS 1009 OR EQUIV.	MTD. ON SCA				
							D5		HS 1009 OR EQUIV.	MTD. ACROSS LA & SCB				
							D6		HS 1009 OR EQUIV.	MTD. ON SCA				
							D7		HS 1009 OR EQUIV.	MTD. ON RG RELAY				
							URI			PAD AS SPECIFIED				
							T1 & 2		TRIMAX TA 2272	TRANSFORMER				
							RY1	1		BARRETTTER				
							U5 1			TIMER NZPO 34391				
							RX1 & RX2	2		ATMITE DISCS				

NOTES
 A - SPECIAL FACTORS OF SAFETY B - SPECIAL ADJUST. C - CCT. POINTS OR MODS.

LAYOUT



NOTES:
 4-1 VOLTAGE LIMITER CD 75/20 MOUNTED AT REAR OF RELAY RR E-IN-C T.EQPT TO ADVISE SOURCE OF SUPPLY.

NOT TO BE USED FOR NEW WORK U TUPANGI

INCOMING JUNCTION RELAY SET

OUT-OF-BAND SIGNALLING

RCCL FOR FIG. 1

DEL	CKD	APD	ORDER	DATE	ISS	CHANGE
				17 8 67 A		
				14 8 73 B		WAS SHEET 4 OF 4 RESTRICTION OF USE NOTE & R8 ADDED
				8-5-75 C		LA RELAY WAS TO CODE B60019 NOTE 4-1 ADDED.

N.Z.P.O.
ENGINEER-IN-CHIEF WELLINGTON

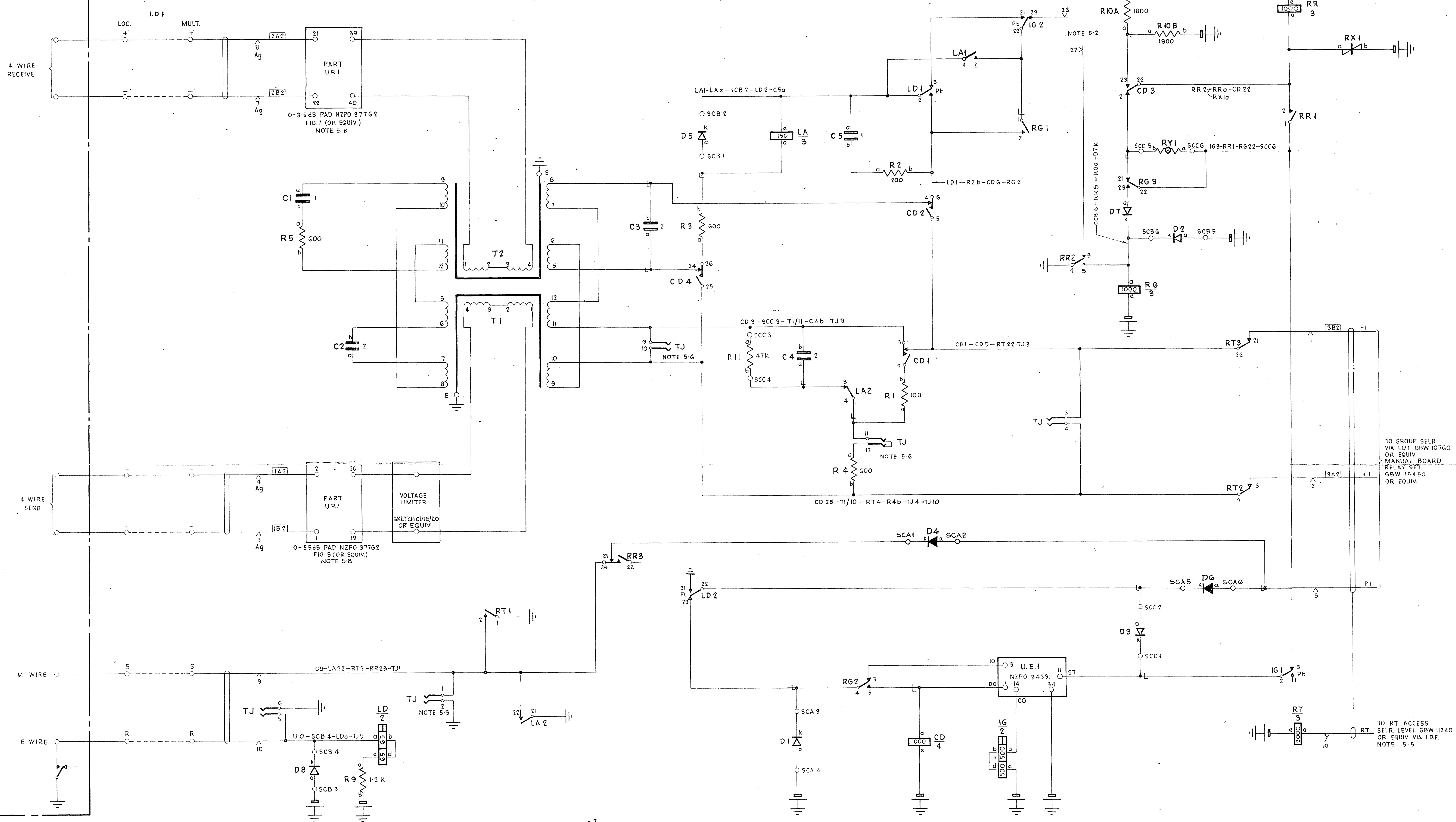
COY. N^o: _____ ORIGIN: T-EQPT.

SHT 4 DRAWN: T-EQPT. TRACED: D.C.W.

A3 34195

MASTER TRACING 28433

FIG. 2



- NOTES:-
- 5.1 FUSING 1.5 A PER C.C.T.
 - 5.2 STRAP U POINTS 23-27 ONLY WHEN TRUNK OFFER SIGNAL REQUIRED.
 - 5.3 TO BACK BUSY JUNCTION INSERT LINK IN TJ1 AND 2 OR BUSY ASSOCIATED 1/C SELR. OR M/B R/S.
 - 5.4 U POINTS 9 AND 11 TO MAKE WHEN THE RELAY SET IS REMOVED.
 - 5.5 RT LEAD IS TO BE CONNECTED TO RT ACCESS SEL. LEV. TERMINALS ASSOCIATED WITH THE PARTICULAR GROUP SELECTOR.
 - 5.6 TEST JACKS 9 AND 10, 11 AND 12 PROVIDED FOR TRANSMISSION TEST PURPOSES ONLY. DURING TRANSMISSION TESTING CONNECT TMS TO TJ 9 AND 10, REMOVE LINK FROM TJ 11 AND 12 AND OPERATE RT RELAY.
 - 5.7 ALL WIRING TO BE 0.5mm UNLESS OTHERWISE SPECIFIED.
 - 5.8 LEVEL ADJUST PADS WILL BE REQUIRED WHEREVER THEY ARE NOT SEPARATELY INSTALLED WITH THE TRANSMISSION EQUIPMENT.

TEST JACKS AND TEST JACK LINKS																	
R/S NORMAL	JUNCTION BUSIED																
<table border="1"> <tr> <td>7</td> <td>R</td> <td>R</td> <td>12</td> </tr> <tr> <td>1</td> <td></td> <td></td> <td>G</td> </tr> </table> <p>NOTE 5-6</p>	7	R	R	12	1			G	<table border="1"> <tr> <td>7</td> <td></td> <td>R</td> <td>12</td> </tr> <tr> <td>1</td> <td>R</td> <td></td> <td>G</td> </tr> </table> <p>NOTE 5-3</p>	7		R	12	1	R		G
7	R	R	12														
1			G														
7		R	12														
1	R		G														

BATT. BK. FUSE 0.7mm **4B2** V U12-SCA4-SCB3-SCB5-RTe^{CR1b}-RRc-CDc-RGe-UE 34-16a-R9b-R10Ab-R10Bb

ETH. R BAR. 0.7mm **4A2** R U11-T1E-T2E-LA21-RT1-LD21-RR4-TJ2-TJ6

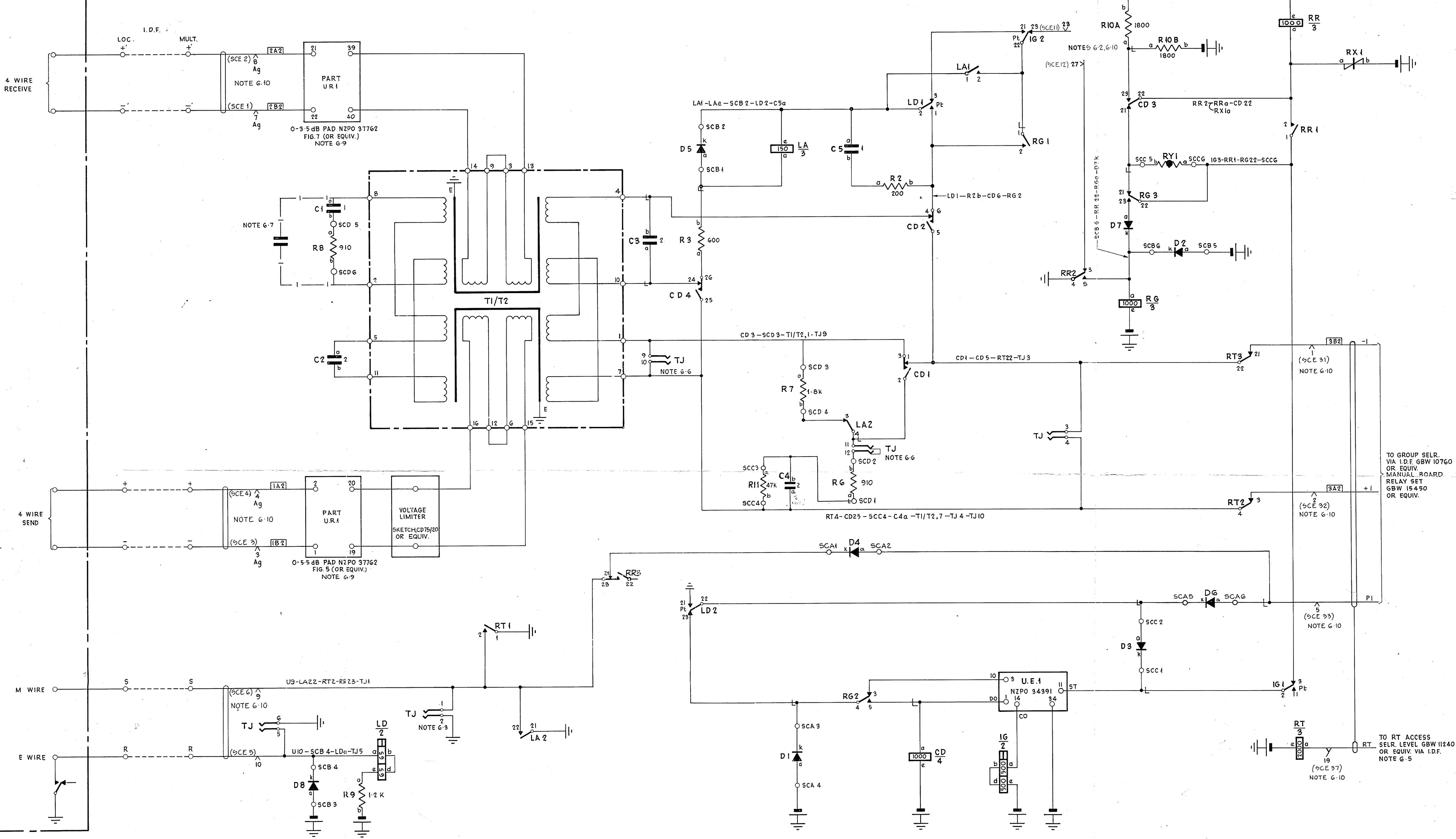
NOT TO BE USED WITHOUT PRIOR APPROVAL OF E INC TELEPHONE EQUIPMENT SECTION

50V

**INCOMING JUNCTION RELAY SET
OUT-OF-BAND SIGNALLING
4 WIRE ROUTED SCHEMATIC (600 OHM TERMINATION)**

DATE ISS	CHANGE	N Z P O
14.3.74		ENGINEER-IN-CHIEF, WELLINGTON.
14.3.74	2.2.7 MODIFIED FOR NZTA '74, RESTRICTION OF USE NOTE	COY NO
		SHT. 5 DRAWN: T-EQPT TRACED: P.M.C.
		A1 34195

FIG. 3



- NOTES:-**
- 6-1 FUSING 1.5 A PER CCT.
 - 6-2 STRAP U POINTS 23-27 (SCE 11-12 WHEN NOTE 6-10 APPLIES) ONLY WHEN TRUNK OFFER SIGNAL REQUIRED
 - 6-3 TO BACK BUSY JUNCTION INSERT LINK IN TJ1 AND 2 OR BUSY ASSOCIATED 1/C SELR. OR M/B R/S.
 - 6-4 U POINTS 9 AND 11 TO MAKE WHEN THE RELAY SET IS REMOVED.
 - 6-5 RT LEAD IS TO BE CONNECTED TO RT ACCESS SEL. LEV. TERMINALS ASSOCIATED WITH THE PARTICULAR GROUP SELECTOR.
 - 6-6 TEST JACKS 9 AND 10, 11 AND 12 PROVIDED FOR TRANSMISSION TEST PURPOSES ONLY. DURING TRANSMISSION TESTING CONNECT TMS TO TJ 9 AND 10, REMOVE LINK FROM TJ 11 AND 12 AND OPERATE RT RELAY.
 - 6-7 WHEN ADDITIONAL COMPROMISE CAPACITANCE IS SPECIFIED, CONNECT AS SHOWN
 - 6-8 ALL WIRING TO BE 0.5mm UNLESS OTHERWISE SPECIFIED.
 - 6-9 LEVEL ADJUST PADS WILL BE REQUIRED WHEREVER THEY ARE NOT SEPARATELY INSTALLED WITH THE TRANSMISSION EQUIPMENT.
 - 6-10 WHEN RACK MOUNTED OPTION REQUIRED, USE SCE CONNECTIONS IN PLACE OF U POINT CONNECTIONS

TEST JACKS AND TEST JACK LINKS									
R/S NORMAL	JUNCTION BUSIED								
<table border="1"> <tr><td>R</td><td>R</td></tr> <tr><td> </td><td> </td></tr> </table> <p>NOTE 6-6</p>	R	R			<table border="1"> <tr><td>R</td><td> </td></tr> <tr><td> </td><td> </td></tr> </table> <p>NOTE 6-3</p>	R			
R	R								
R									

BATT. BK. FUSE 0.7mm [4B2] V (SCE 48)-U12-9CA4-9CB3-9CB5-RTe RRc-CDc-RGe-UE 34-1Ge-R9b-R10bb

ETH. R BAR. 0.7mm [4A2] R (SCE 50)-U11-T1/T2E-LA21-RT1-LD21-RR4-TJ2-TJ6

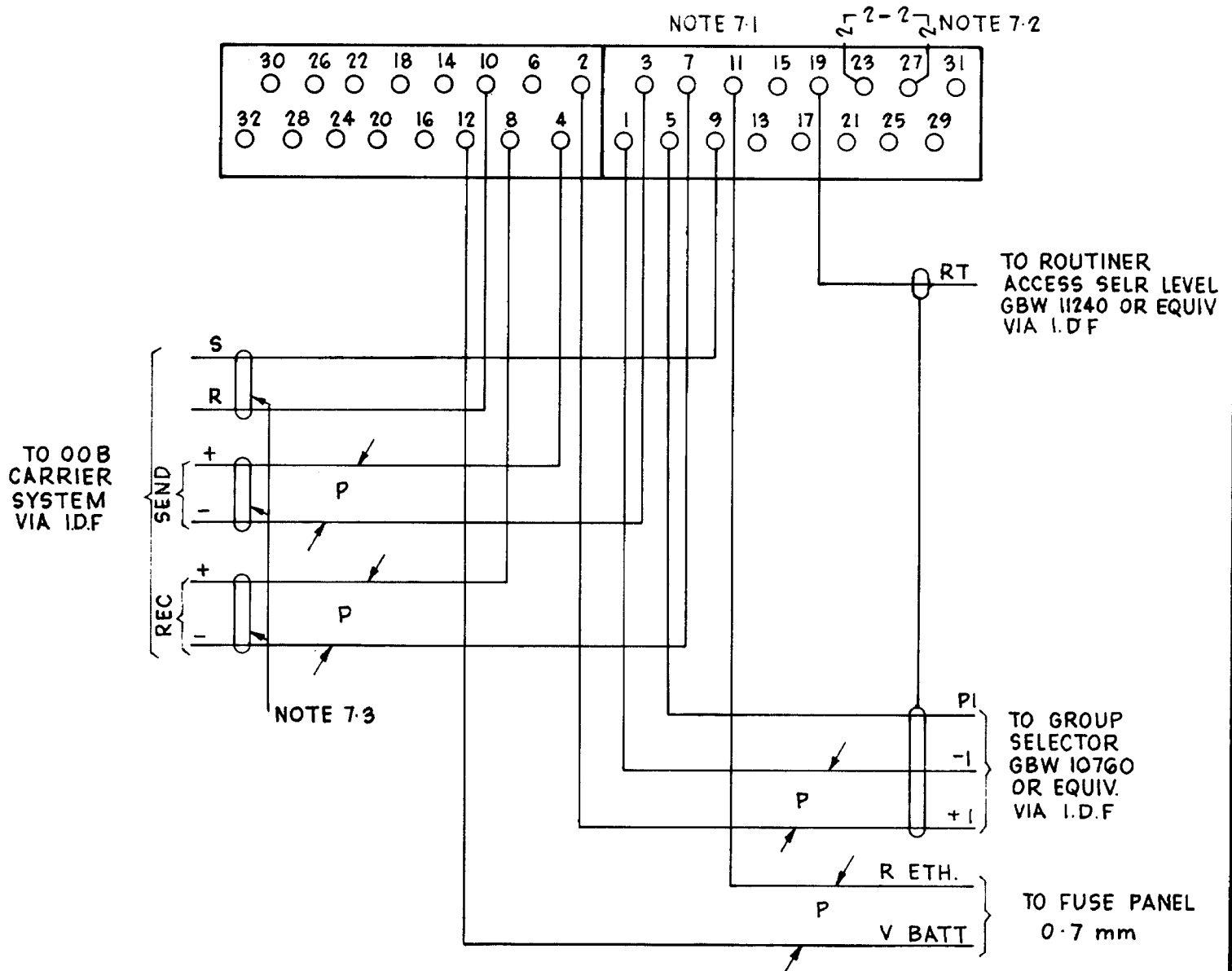
50 V

INCOMING JUNCTION RELAY SET
OUT-OF-BAND SIGNALLING
 4 WIRE ROUTED SCHEMATIC (900 OHM TERMINATION)
 (WITH RACK MOUNTED OPTION)

DATE ISS	CHANGE	ENGINEER-IN-CHIEF, WELLINGTON.
16.8.51	1	COY NR
16.8.51	2	SHT. 6
16.8.51	3	16.8.51
16.8.51	4	16.8.51
16.8.51	5	16.8.51
16.8.51	6	16.8.51
16.8.51	7	16.8.51
16.8.51	8	16.8.51
16.8.51	9	16.8.51
16.8.51	10	16.8.51
16.8.51	11	16.8.51
16.8.51	12	16.8.51
16.8.51	13	16.8.51
16.8.51	14	16.8.51
16.8.51	15	16.8.51
16.8.51	16	16.8.51
16.8.51	17	16.8.51
16.8.51	18	16.8.51
16.8.51	19	16.8.51
16.8.51	20	16.8.51
16.8.51	21	16.8.51
16.8.51	22	16.8.51
16.8.51	23	16.8.51
16.8.51	24	16.8.51
16.8.51	25	16.8.51
16.8.51	26	16.8.51
16.8.51	27	16.8.51
16.8.51	28	16.8.51
16.8.51	29	16.8.51
16.8.51	30	16.8.51
16.8.51	31	16.8.51
16.8.51	32	16.8.51
16.8.51	33	16.8.51
16.8.51	34	16.8.51
16.8.51	35	16.8.51
16.8.51	36	16.8.51
16.8.51	37	16.8.51
16.8.51	38	16.8.51
16.8.51	39	16.8.51
16.8.51	40	16.8.51
16.8.51	41	16.8.51
16.8.51	42	16.8.51
16.8.51	43	16.8.51
16.8.51	44	16.8.51
16.8.51	45	16.8.51
16.8.51	46	16.8.51
16.8.51	47	16.8.51
16.8.51	48	16.8.51
16.8.51	49	16.8.51
16.8.51	50	16.8.51

A1 34195

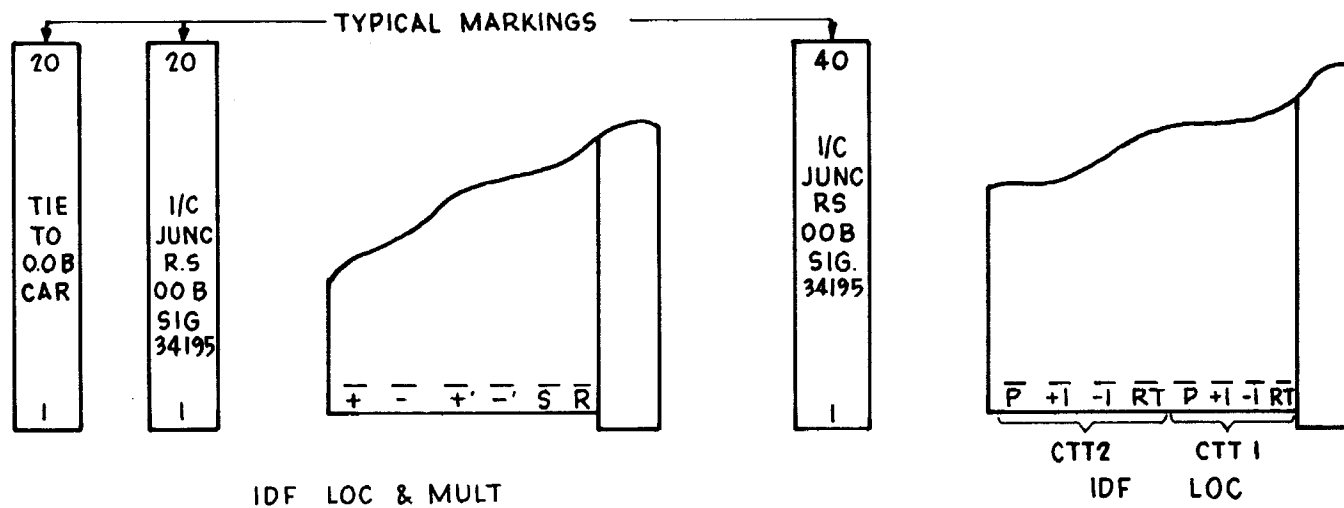
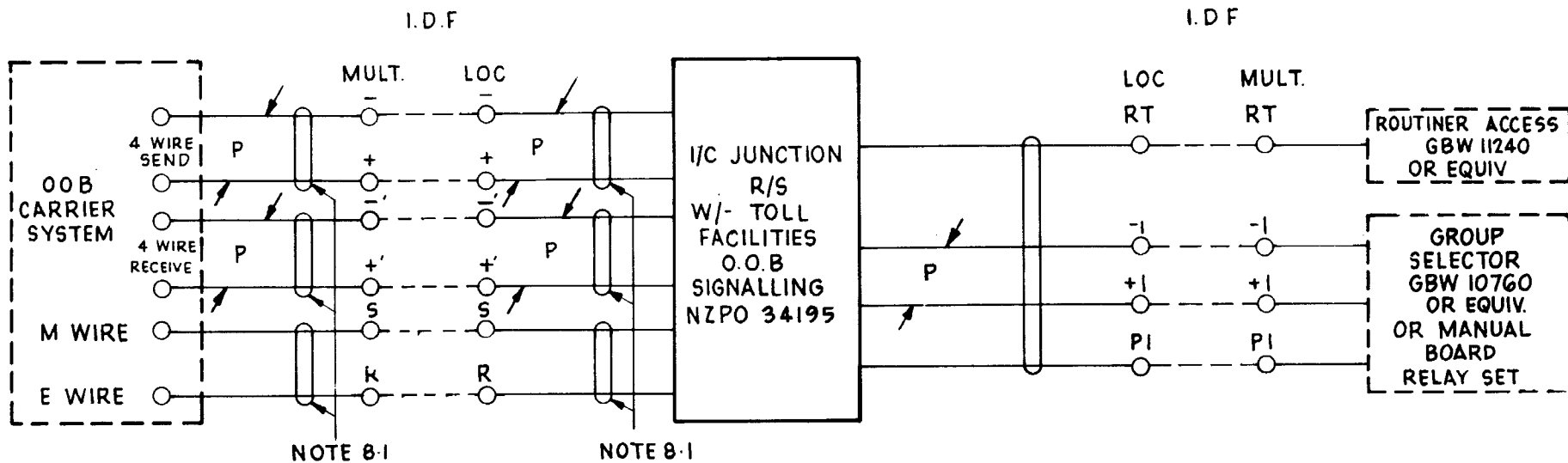
AS SEEN FROM REAR



NOTES :-

- 7.1 U POINTS 9 & 11 TO MAKE WHEN RELAY SET REMOVED.
- 7.2 WHEN TRUNK OFFERING IS REQUIRED ADD CONNECTIONS SHOWN — 2 —
- 7.3 SEND, RECEIVE, AND CONTROL LEADS MUST BE IN 3 SEPARATE CABLES.
- 7.4 ALL WIRING TO BE 0.5 mm UNLESS OTHERWISE STATED.

DATE	ISS	CHANGE	N Z P O ENGINEER - IN - CHIEF, WELLINGTON
14-8-73	A		INCOMING JUNCTION RELAY SET OUT-OF-BAND SIGNALLING U POINT WIRING FOR FIGS. 2 & 3
			SHT. 7
			ORIGIN: T-EQPT.
			DWN: T-EQPT TCD: P.M.C
			A4
			34195



NOTE :-
8-1 SEND RECEIVE AND CONTROL LEADS
MUST BE IN 3 SEPARATE CABLES.

<p style="text-align: center; font-size: 1.2em;">INCOMING JUNCTION RELAY SET OUT-OF-BAND SIGNALLING CROSS CONNECTIONS FOR FIGS. 2 & 3</p>	DATE	ISS	CHANGE	N Z P O	
	14-8-73	A		ENGINEER - IN-CHIEF, WELLINGTON	
				SHT. 8	ORIGIN: T-EQPT
				A 4	DRAWN: T-EQPT TRACED: P.M.C
				34195	

RELAY CODES AND COMPONENTS LIST

RELAY NAME	B.C.C. CODE	N.Z.P.O. CODE	B.P.O. CODE	COY. CODE	NOTES	STOCK LIST N ^o	COMPONENT DESIGNATION	B.P.O. CODE	COY. CODE	NOTES	STOCK LIST N ^o	MISC. COMPONENTS	NOTES	STOCK LIST N ^o
CD		50471AD II				WS	R1	12		100 Ω FIG.2 ONLY	KB 118	MTG PLATE	R52/3000/14	LH68ID
IG	HSD 716					LD90 F	R2	12		200 Ω	KB 170C	TEST JACK	12Pt. 21G	LC148
LA		54229AA				WS	R3	12		600 Ω	KB 292	PLUG	BPO 3201	LH679
LD	HSD 710					LD90 B	R4&R5	12		600 Ω FIG.2 ONLY	KB 292	RES POST	3 1/2"	KB9B
RG		50473AD4				WS	RG,R7&R8		RADIO TYPE	310 Ω 1/4 W 1% FIG.3 ONLY	ER854C	RES POST	2 1/2" FIG.2 ONLY	KB9A
RR		50472AD12				WS	R9	12		1.2K Ω	KB 358	TERM. STRIP		LH814
RT	B 401G					WS	R10A & R10B	12		1.8K Ω	KB 378	SCREWS	SCA, SCB, SCC SCD FIG.3 ONLY.	LH610
							R11		RADIO TYPE	47K Ω 1/4 W 5%	ER 245	INS. PLATE		LE 811
							C2-C4	102C		2μF	KC 313			
							C1&C5	101		1μF	KC 250			
							RX1	2		RESISTOR NON LINEAR. NOTE 9-3	K 996			
							DI-D8		CV 7030	DIODE NOTE 9-4	K 907	PLUG BLADES	R/HAND NOTE 9-2	LH679A
							RY1	1A		THERMISTOR	K 972A	PLUG BLADES	L/HAND NOTE 9-2	LH679B
							TI-T2		TRIMAX	TRANSFORMER FIG.2 ONLY NOTE 9-1	CA 13	JACK BLADES	R/HAND NOTE 9-2	LH526A
							TI/TZ		DTC 96762 OR EQUIV	UNIT HYBRID TRANS FIG.3 ONLY NOTE 9-1	CA 16	JACK BLADES	L/HAND NOTE 9-2	LH527A
												LINK	TYPE N (RED)	LC 216
							URI			0-3.5 dB & 0-5.5 dB PADS NZPO 37762 FIGS 5 & 7 AS SPEC'D				
							VOLTAGE LIMITER			NOTE 9-5				
							UE1			TIMER NZPO 34391				

NOTES

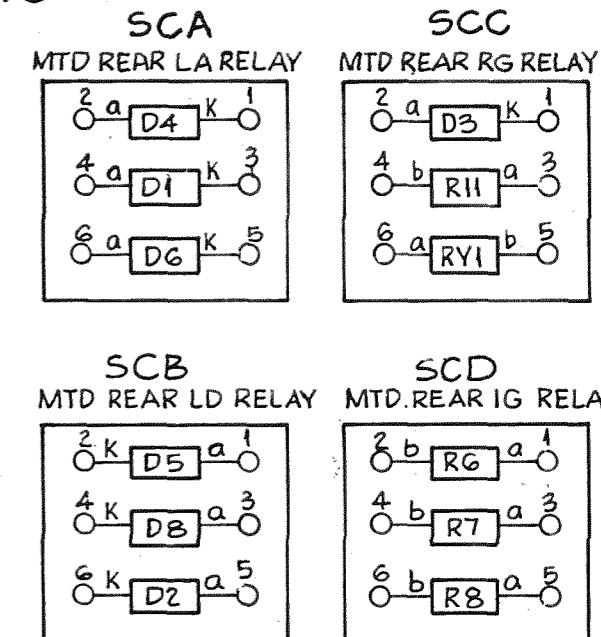
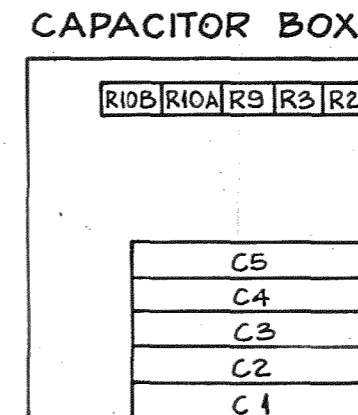
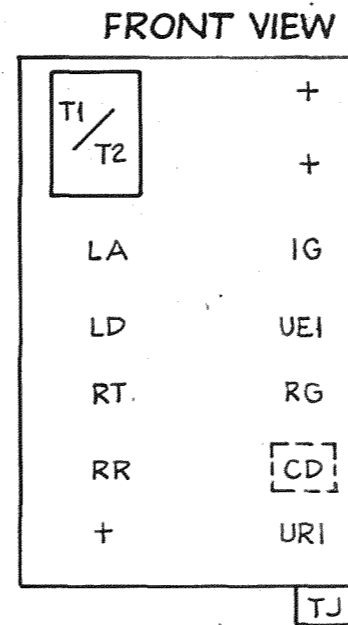
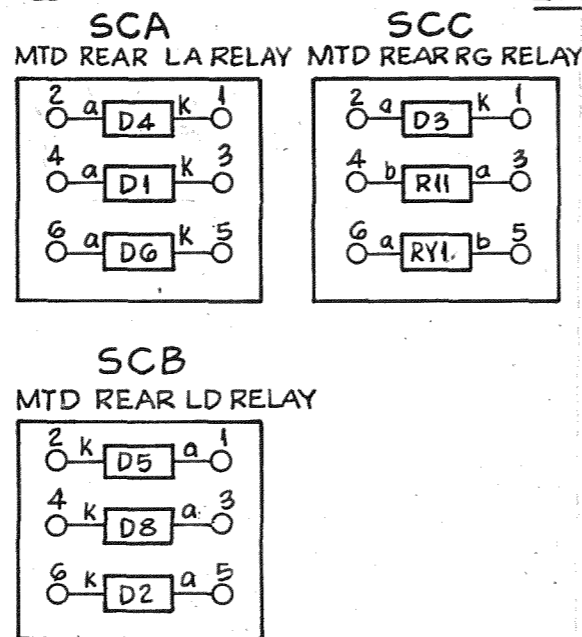
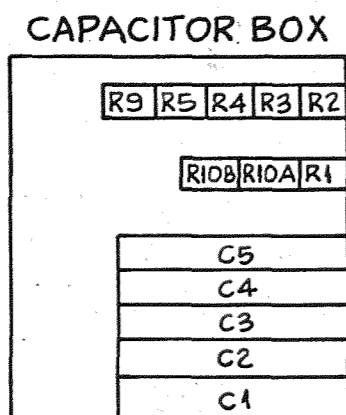
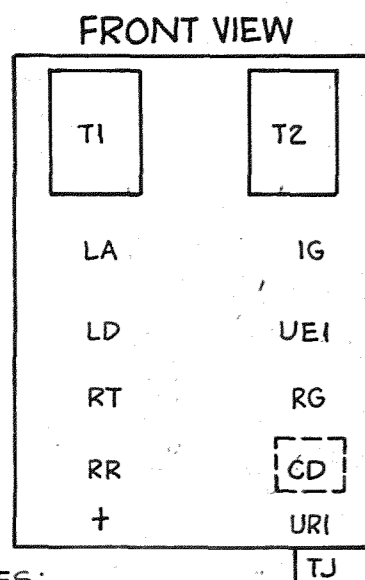
A- SPECIAL FACTORS OF SAFETY B- SPECIAL ADJUST. C- CCT. POINTS OR MODS.

SKETCH CD75/20
OR EQUIV.

FIG.2

LAYOUT

FIG.3



- NOTES:**
- 9-1 PROVIDE 600 OHM TERMINATION FIG.2 OR 900 OHM TERMINATION FIG.3 AS SPECIFIED.
 - 9-2 PLUG AND JACK BLADES 3&4, 7&8 TO BE REPLACED BY SILVER BLADES WHEN AVAILABLE.
 - 9-3 RX1 MTD REAR RR RELAY.
 - 9-4 D7 MTD REAR RG RELAY.
 - 9-5 VOLTAGE LIMITER CD75/20 MOUNTED AT REAR OF RELAY CD. E-IN-C T.EQPT. POHQ. TO ADVISE SOURCE OF SUPPLY.

**INCOMING JUNCTION RELAY SET
OUT-OF-BAND SIGNALLING
RCCL FOR FIGS. 2 & 3**

DATE	ISS	CHANGE
1-8-73	A	
8-5-75	C	RETRACED FROM 155 B OF 5-5-75. LA RELAY WAS TO CODE B60619, NOTE 9-5 ADDED.

N.Z.P.O.
ENGINEER-IN-CHIEF WELLINGTON

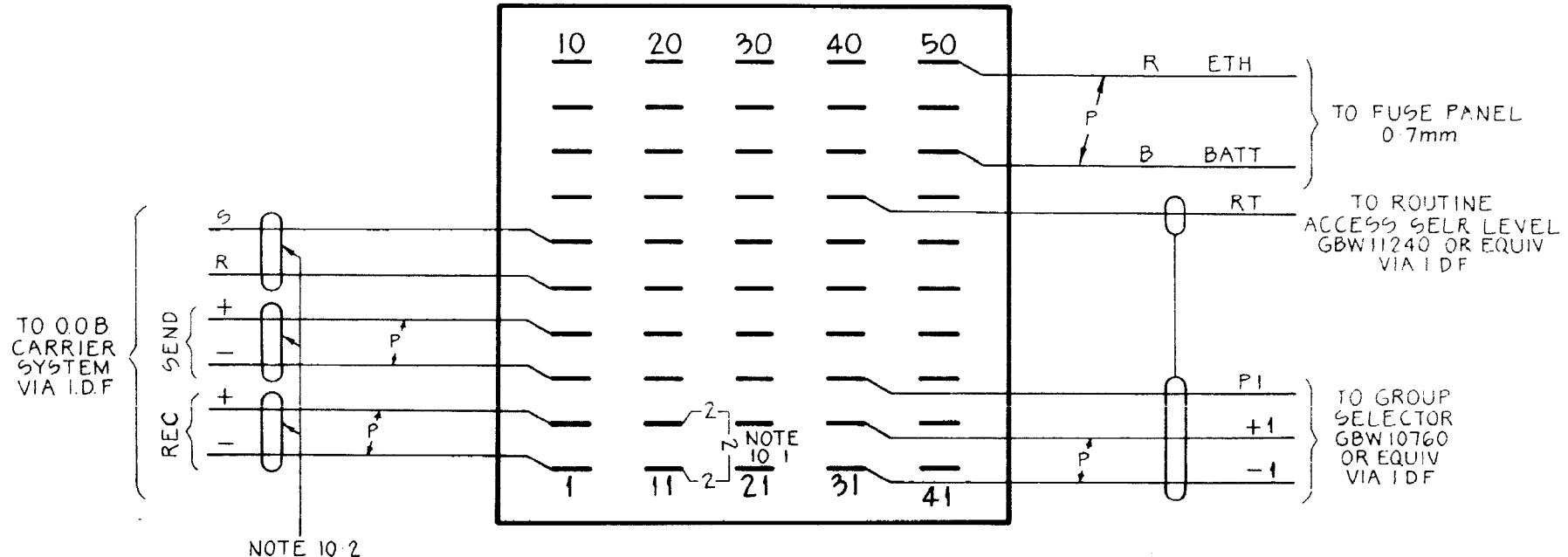
COY.N^o: _____ ORIGIN: T-EQPT.

SHT 9 DRAWN: T-EQPT. TRACED: GRM.

A 3 34195

MASTER TRACING 28433

SCE



TO OOB CARRIER SYSTEM VIA I.D.F.

NOTE 10.2

NOTES

- 10.1 WHEN TRUNK OFFERING REQUIRED ADD CONNECTIONS SHOWN — 2 —.
- 10.2 SEND, RECEIVE AND CONTROL LEADS MUST BE IN 3 SEPARATE CABLES.
- 10.3 ALL WIRING MUST BE 0.5mm UNLESS OTHERWISE SPECIFIED

**INCOMING JUNCTION
RELAY SET**
OUT-OF-BAND SIGNALLING
(SCE TERMINAL STRIP
WIRING FOR FIG.3)

DRN: 95	CKD:	ORIGIN: 95.
TCD: N5	APPD:	STANDARD
NZPO ENGINEER-IN-CHIEF, WELLINGTON		
	SHT	10
	SIZE	A4
		34195

A	22.6.83	CHANGE
ISS DATE		