

NO	SIZE	SUB TITLE			
1	A1	(FIGS 1&2) 4 WIRE ROUTED SCHEMATIC 600 OHM TERM WITHOUT TRUNK OFFER (NOTE)	D		
2	F	U POINT WIRING FOR FIGS. 1 & 2 (NOTE)	C		
3	F	CROSS CONNECTIONS FOR FIGS. 1 & 2 (NOTE)	C		
4	A3	RCCL FOR FIGS. 1 & 2 (NOTE)	D		
5	A1	(FIG. 3) 4 WIRE ROUTED SCHEMATIC, 600 OHM TERM. WITHOUT TRUNK OFFER (NOTE)	<del>D</del>	C	
6	A1	(FIG. 4) 4 WIRE ROUTED SCHEMATIC, 900 OHM TERM. WITH TRUNK OFFER	<del>D</del>	C	
7	A4	U POINT WIRING FOR FIGS. 3 & 4.	A		
8	A4	CROSS CONNECTIONS FIGS. 3 & 4.	A		
9	A3	RCCL FOR FIGS. 3 & 4.	<del>C</del>	<del>D</del>	E

**NOTES :-**

FIGS. 1 & 2 (SHTS. 1-4) NOT TO BE USED FOR NEW WORK. REPLACED BY FIGS. 3 & 4 (SHTS. 5-9) FOR ALL NEW WORK. FIG. 3 (SHT. 5) NOT TO BE USED WITHOUT THE PRIOR APPROVAL OF E-IN-C. TELEPHONE EQUIPMENT SECTION

DEP	CHKD	APD	ORDER	DATE	ISS	CHANGE	NZPO ENGINEER-IN-CHIEF, WELLINGTON	
P.M.C.	KG	CJW	89377	24.7.74	C	RETRACTED FROM ISS. D OF 5.7.74. NOTES AMD. SHTS. 1, 4-6 & 9 AMD.	OUTGOING JUNCTION RELAY SET OUT-OF-BAND SIGNALLING 2000 TYPE. (INDEX SHEET)	
J.V.	KC	CJM	88453	12.5.75	E			
P.M.	MWN	RED	53877	26.11.79	F	SHTS AMENDED SHT 5 & 9 AMD	COY. No: IND. 34179 ORIGIN: T. EQPT A4 DWN: T. EQPT TCD: P.M.C.	
T.C.	WAH	JK	143280	29.7.80	G			

FIG. 1

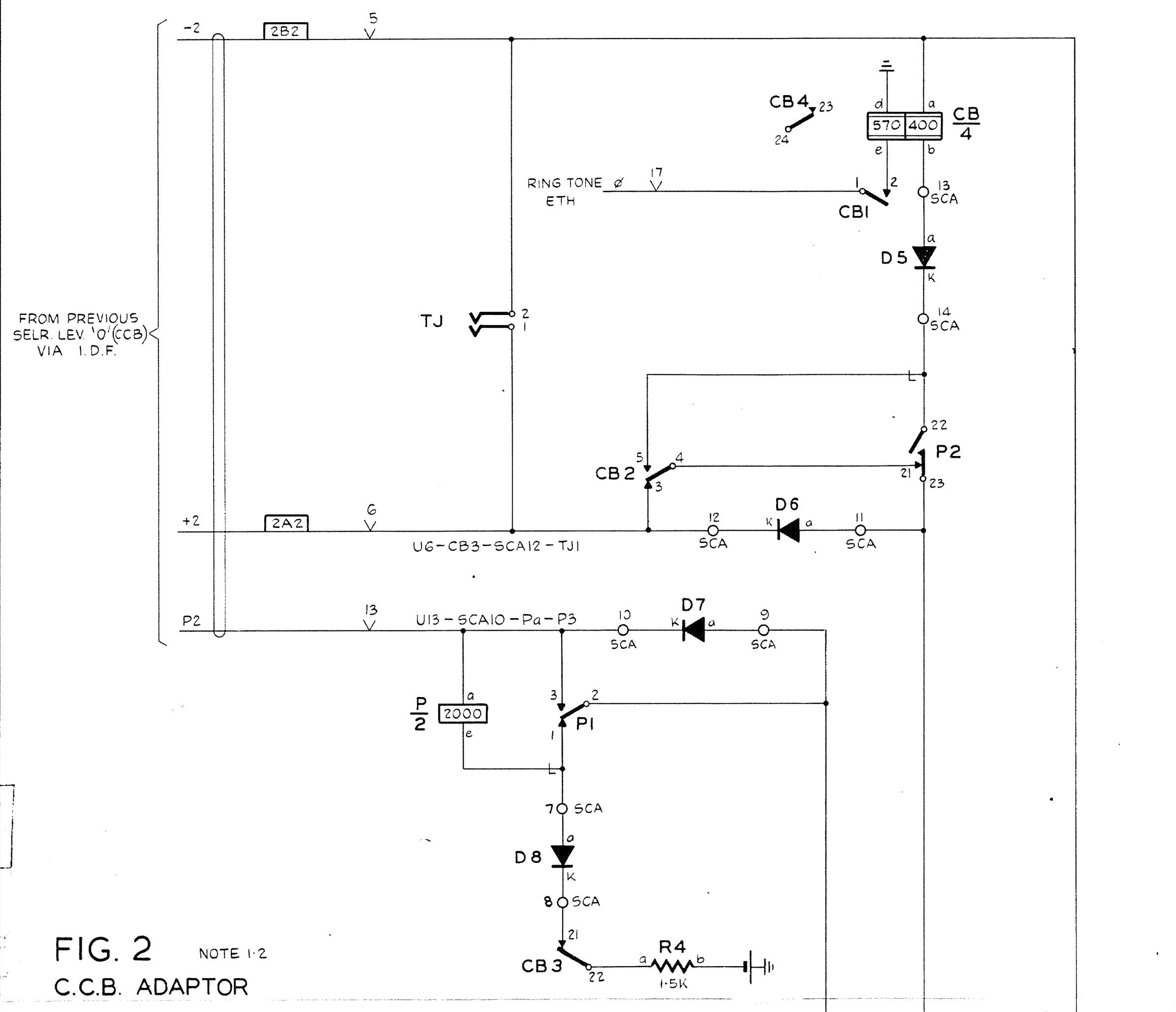
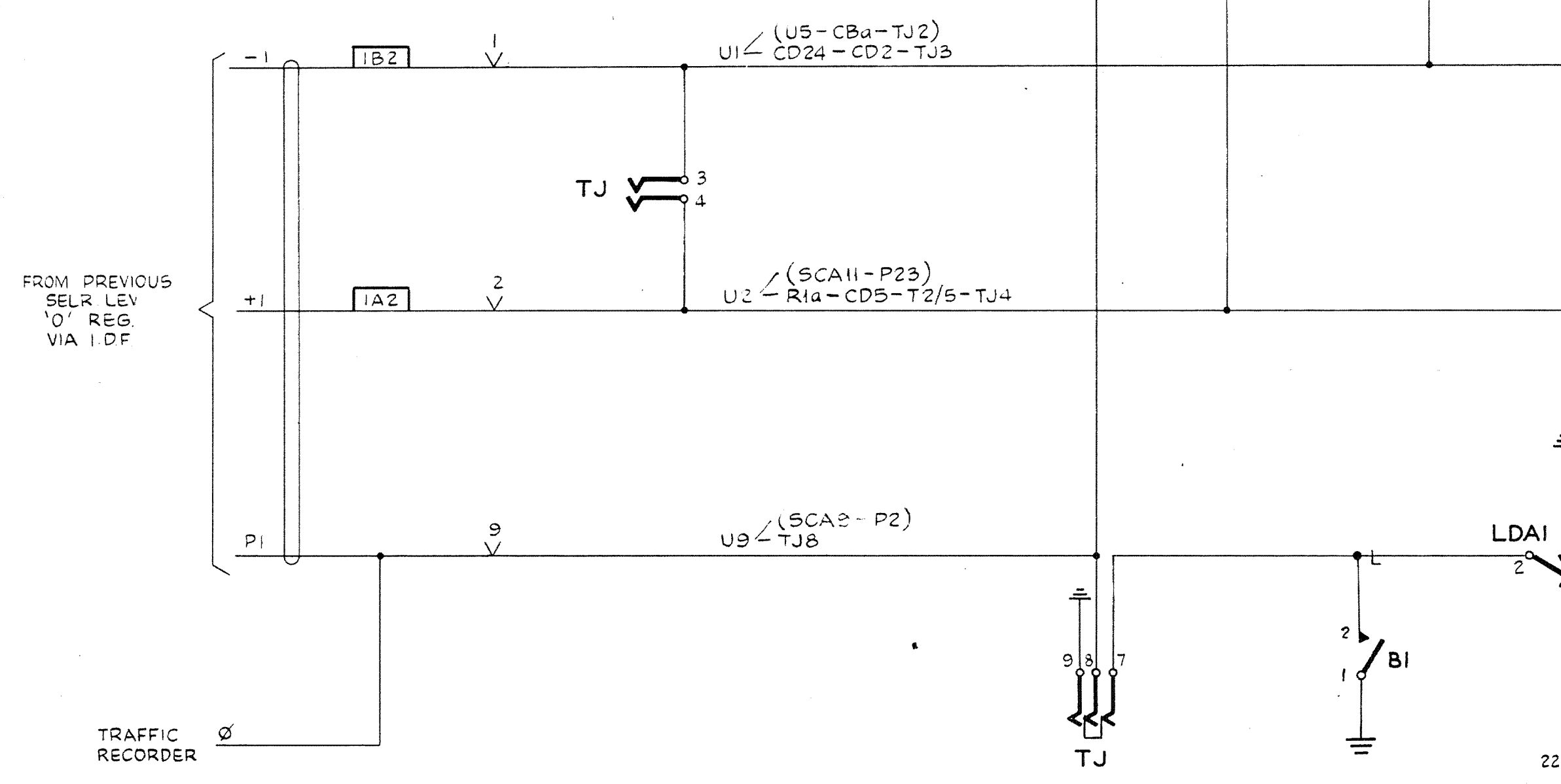
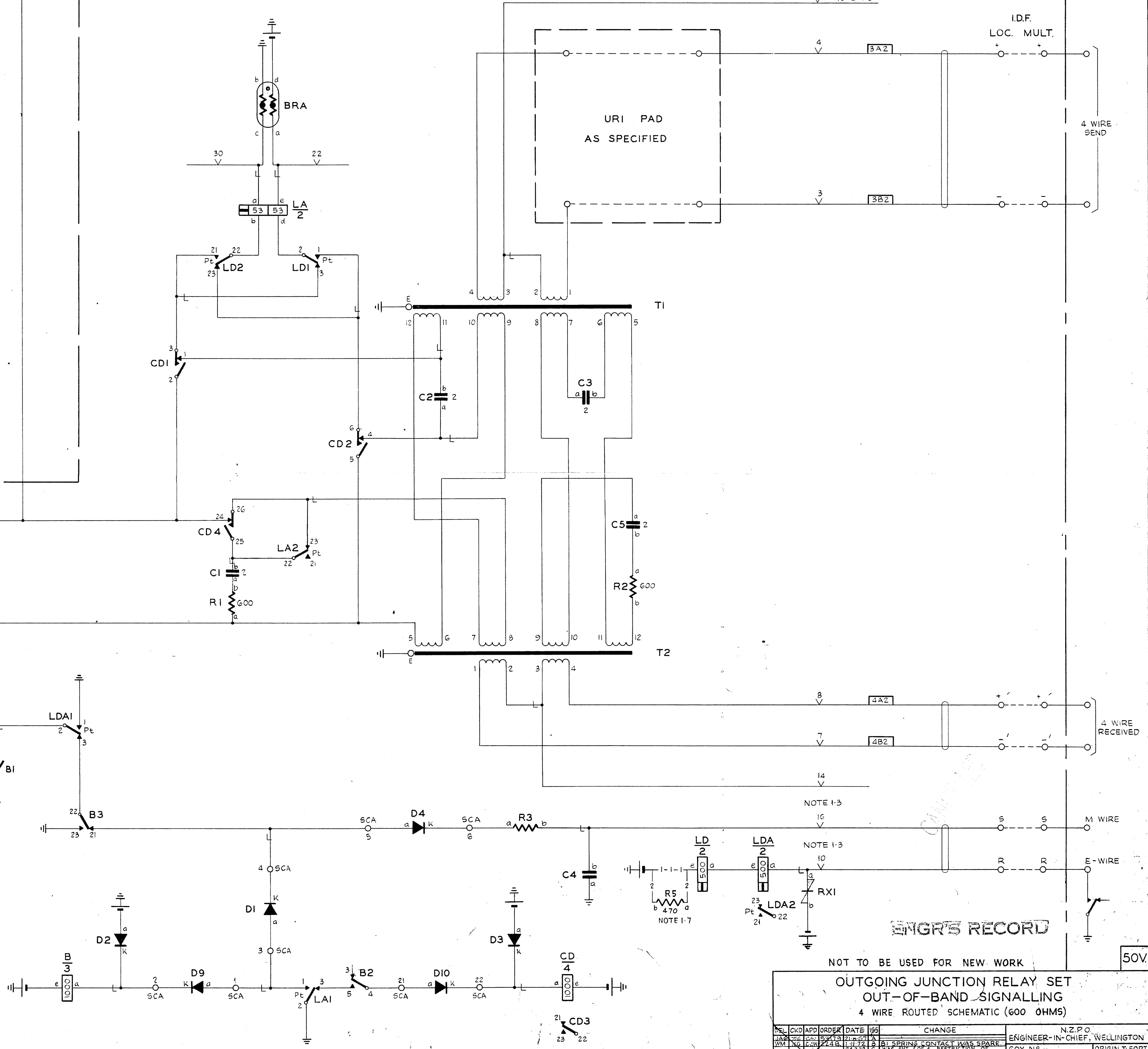


FIG. 2 NOTE 1-2 C.C.B. ADAPTOR



NOTE 1-6 (R4b) RX1b, D2a, D3a  
 BATT. FUSE 22 SWG V [5B2] U12 LA2e, 4Be, 4Ce, BRA d  
 ETH ETH TAG 22 SWG R [5A2] U11 (CB3) U15 LA2e-LA2-B23-B1-LDA1-T2/e-BRAb C4a TJ9

- NOTES -
- 1-1 FUSING 1.5A PER CCT.
  - 1-2 PROVIDE FIG. 2 WHEN REQD
  - 1-3 WHEN E & M WIRES ARE SUPERIMPOSED OVER SPEECH PATHS STRAP UPTS 10 TO 14 X 16 TO 20 AND OMIT WIRING 5 TO M WIRE AND R TO E WIRE.
  - 1-4 SEE RACK COMMON SERVICES G31V 10460 OR EQUIV.
  - 1-5 UPTS 9 & 11 AND 13 & 15 TO MAKE WHEN RELAY SET REMOVED.
  - 1-6 ON EARLY EQUIPMENT BATTERY WIRE WAS W AND BLK
  - 1-7 WHEN USED WITH FUJITSUI CARRIER PROVIDE R5 STRAP-2- & DELETE -1-1-



ENGR'S RECORD

NOT TO BE USED FOR NEW WORK

50V

OUTGOING JUNCTION RELAY SET  
 OUT-OF-BAND SIGNALLING  
 4 WIRE ROUTED SCHEMATIC (600 OHMS)

DEL	CHK	APP	ORDER	DATE	ISS	CHANGE
JAG	22	22	22	22	22	22
WV	22	22	22	22	22	22

ENGINEER-IN-CHIEF, WELLINGTON  
 COY. N°  
 ORIGIN T. EQPT  
 DRAWN T. EQPT  
 TRACED JAG

34179

# RELAY CODES AND COMPONENTS LIST

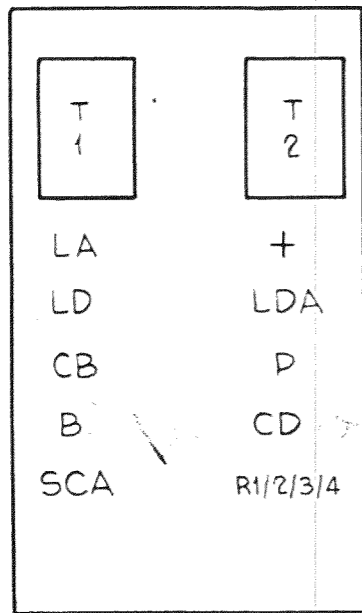
RELAY CODE	RELAY CODE	RELAY CODE	RELAY CODE	RELAY CODE	RELAY CODE	RELAY CODE	RELAY CODE	RELAY CODE	RELAY CODE	RELAY CODE	RELAY CODE	RELAY CODE	RELAY CODE	RELAY CODE	RELAY CODE	RELAY CODE	RELAY CODE
B		50473AD4				R1	12		600Ω			MTG PLATE	R52/3000/14 W/- CAPACITOR BOX				
CB	B5639					R2	12		600Ω			TEST JACK	21G				
CD		50471AD11				R3						UPOINT PLUG	PLUGS B.P.O. 3201				
P	B4218					R4	12		1.5K			RES. POST	B.P.O. SPO/I 3-312"				
LA	HSD410				B	R5	9		470Ω								
LD	HSD 505				B	RX1	2		ATMITE DISC								
LDA	HSD 505				B	C2&C3	102C		2μF MUST BE MATCHED PAIR ±1%								
						C1&C5	101C		2μF MUST BE MATCHED PAIR ±1%								
						C4											
						D1,D4,D5&D6		HS 1009 OR EQUIV									
						D2&D3		HS 1009 OR EQUIV	D2 MTD ON B RELAY D3 MTD ON CD RELAY								
						D7		IN 4003 OR EQUIV									
						D8,D9&D10		HS 1009 OR EQUIV									
						UR1			PAD AS SPECIFIED								
						T1 & T2		TRIMAX TA 2272	TRANSFORMER								
						BRA	1		BARRETTOR								
						SCA	176A		TERMINAL STRIP								

**NOTES**

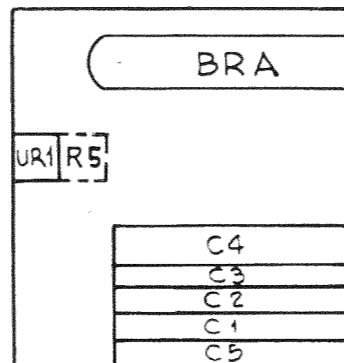
A - SPECIAL FACTORS OF SAFETY B - SPECIAL ADJUST C - CONTACT POINTS OR MODS

**LAYOUT**

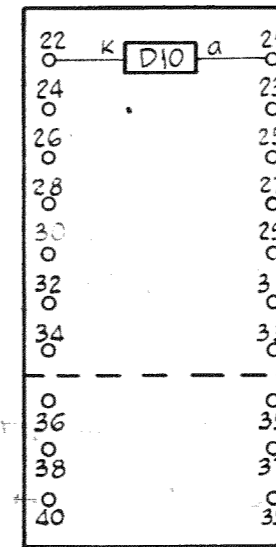
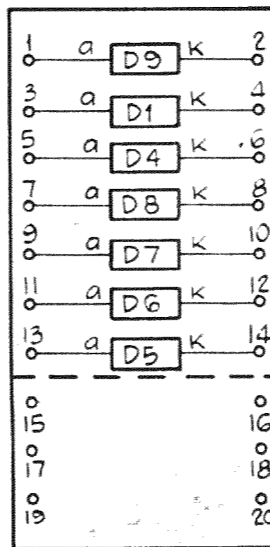
FRONT VIEW



CAPACITOR BOX



SCA



NOTES : 4-1 ON SOME EQUIPMENT SMALL TERMINAL STRIPS ARE USED AND TERMINALS 15-20 & 35-40 ARE NOT EQUIPPED.

NOTE 4-1

ENGR'S RECORD

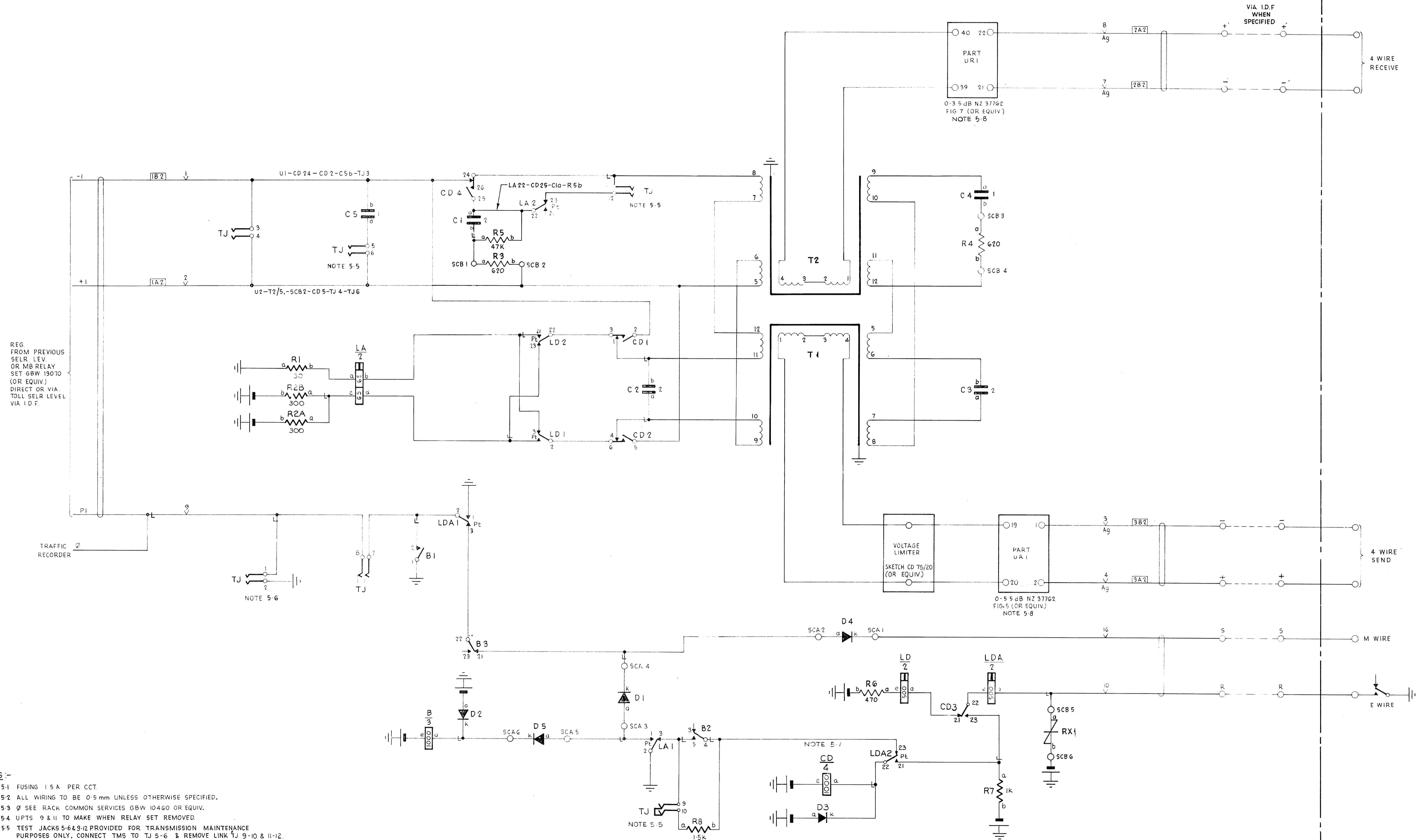
NOT TO BE USED FOR NEW WORK

OUTGOING JUNCTION RELAY SET  
OUT-OF-BAND SIGNALLING  
RCCL FOR FIGS. 1 & 2

REL. CKD. AND ORDER	DATE	ISS	CHANGE	NOTED	ENGINEER-IN-CHIEF WELLINGTON
JAG 776 CJA 53179 21 8 67 A					
WM NG CJW 2248 1-11-72 B			NO CHANGE SHT 1 AMENDED		
	24-7-73 C		WAS SHT 4 OF 4. RESTRICTION OF USE NOTE & R5 ADDED.		
SIZE	SHT	DRAWN	T. E. O. P. I.	TRACED	JAG
S	4				
34179					

FIG. 3

OUT-OF-BAND  
CARRIER SYSTEM  
EXPLANATORY  
ONLY



NOTES:-

- 5-1 FUSING 1.5 A PER CCT.
- 5-2 ALL WIRING TO BE 0.5 mm UNLESS OTHERWISE SPECIFIED.
- 5-3 Ø SEE RACK COMMON SERVICES GBW 10460 OR EQUIV.
- 5-4 UPTS 9 & 11 TO MAKE WHEN RELAY SET REMOVED.
- 5-5 TEST JACKS 5-6 & 9-12 PROVIDED FOR TRANSMISSION MAINTENANCE PURPOSES ONLY. CONNECT TMS TO TJ 5-6 & REMOVE LINK TJ 9-10 & 11-12.
- 5-6 TO BUSY JUNCTION REMOVE LINK FROM TJ 7-8 AND INSERT IN TJ 1-2.
- 5-7 RELAY CD IS NORMALLY OPERATED.
- 5-8 LEVEL ADJUST PADS WILL BE REQUIRED WHEREVER THEY ARE NOT SEPARATELY INSTALLED WITH THE TRANSMISSION EQUIPMENT.

TEST JACKS AND TEST JACK LINKS		
SPARE	JUNCTION NORMAL	JUNCTION BUSIED
	NOTE 5-5	NOTES 5-5 & 5-7

BATT. BK FUSE 0.7 mm 4B2 V:- U12-SCB6-CDe (Rse-RTe)-Be-D2a-R2Ab-R2Bb-R6b-57b.

ETH. R BAR 0.7 mm 4A2 R:- U11-T1E-T2[E-LA2-(OC2)-LDA1-(RS1)-B1-R1a-TJ2

NOT TO BE USED WITHOUT THE PRIOR APPROVAL OF E-IN-C TELEPHONE EQUIPMENT SECTION.

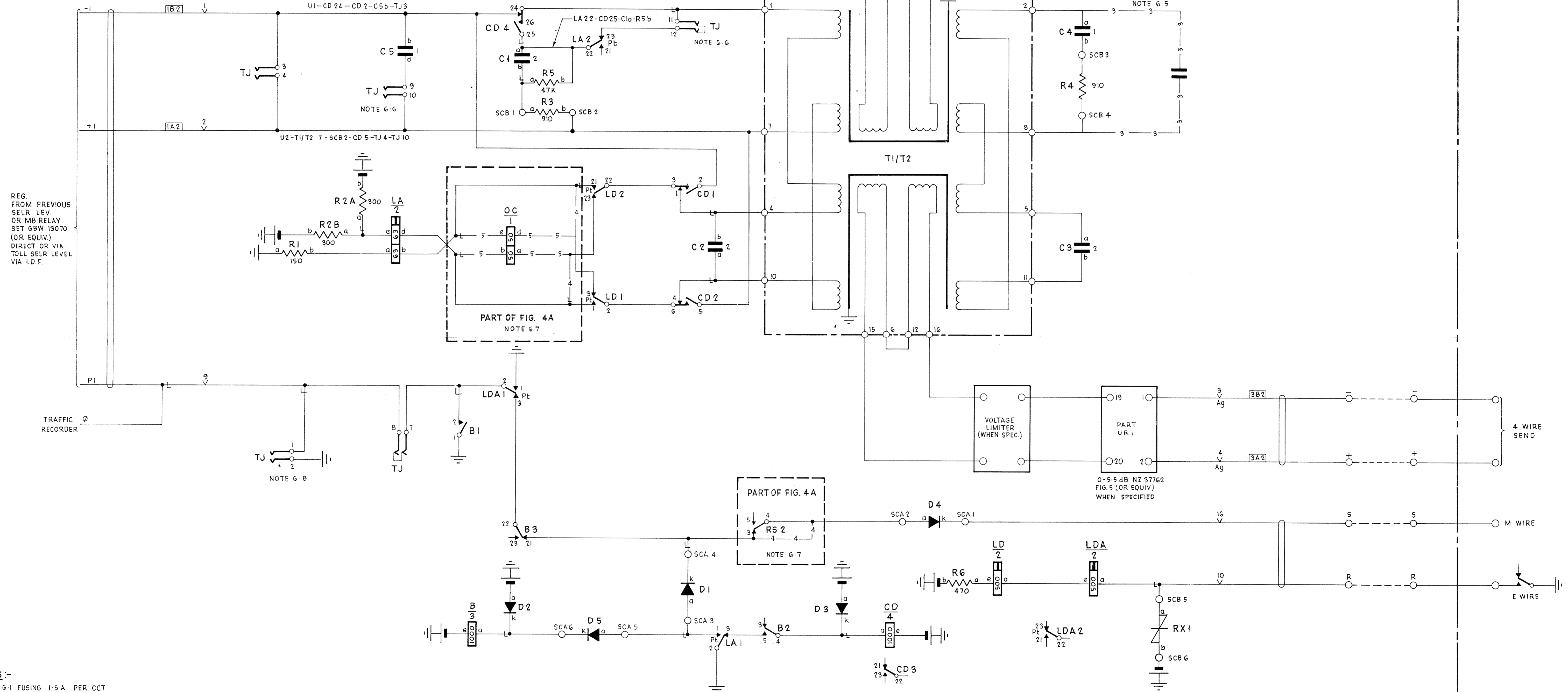
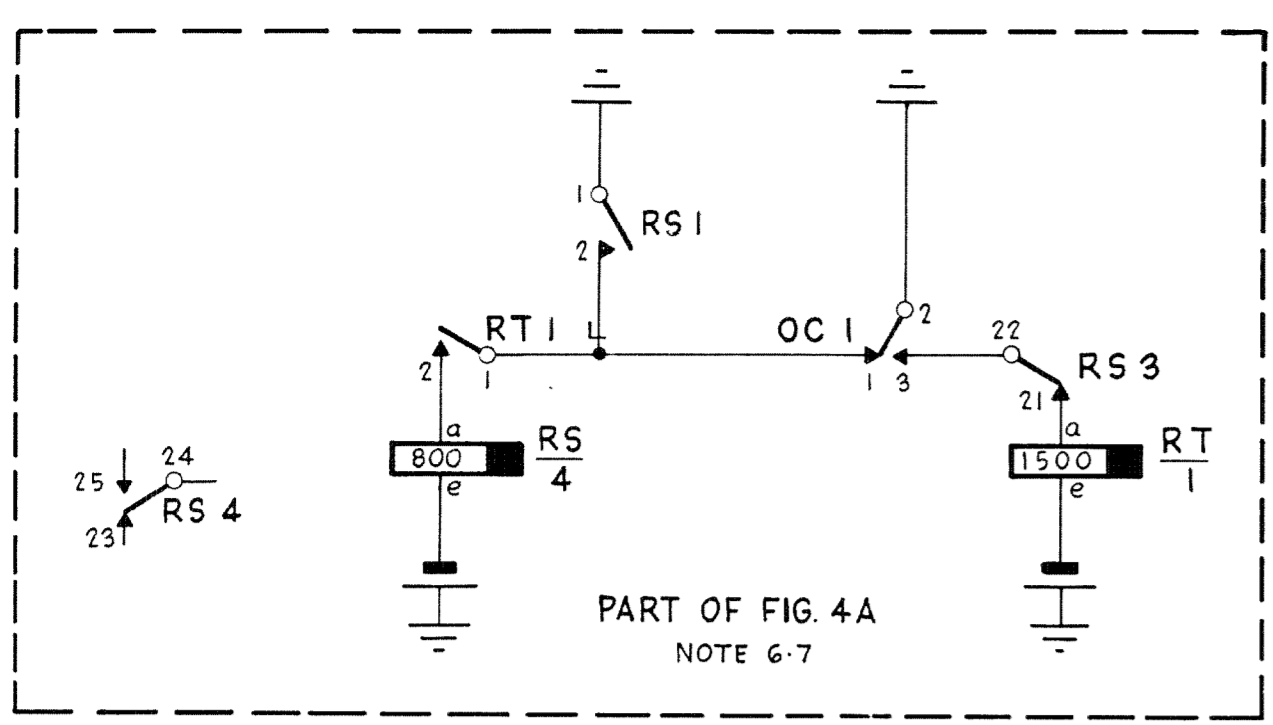
50 V

**OUTGOING JUNCTION RELAY SET**  
**OUT-OF-BAND SIGNALLING**  
4 WIRE ROUTED SCHEMATIC (600 OHMS)  
WITHOUT TRUNK OFFER

DATE	ISS	CHANGE	ENGINEER-IN-CHIEF, WELLINGTON
12-8-78	5	FIG. 3A DELETED R1-R6 RESTRICTION OF USE & NOTE 5-8 ADD. TITLE AND REF. NZM JU	COY N2
			ORIGIN T-EQPT
			SHT 5 DRAWN: T-EQPT. TRACED: P.M.C.
			A1 34179

FIG. 4

OUT-OF-BAND CARRIER SYSTEM EXPLANATORY ONLY



- NOTES:-
- 6-1 FUSING 1.5A PER CCT.
  - 6-2 ALL WIRING TO BE 0.5mm UNLESS OTHERWISE SPECIFIED.
  - 6-3 SEE RACK COMMON SERVICES GBW 10460 OR EQUIV.
  - 6-4 UPTS 9 & 11 TO MAKE WHEN RELAY SET REMOVED.
  - 6-5 WHEN ADDITIONAL COMPROMISE CAPACITANCE IS SPECIFIED, CONNECT AS SHOWN.
  - 6-6 TEST JACKS 9-12 PROVIDED FOR TRANSMISSION MAINTENANCE PURPOSES ONLY. CONNECT TMS TO TJ 9-10 & REMOVE LINK TJ11-12.
  - 6-7 WHEN TRUNK OFFER IS SPECIFIED PROVIDE FIG.4A CONNS-5-5-AND DELETE CONNS-4-4-RELAY OC IS DIFFERENTIALLY CONNECTED.
  - 6-8 TO BUSY JUNCTION REMOVE LINK FROM TJ 7-8 AND INSERT IN TJ1-2.

TEST JACKS AND TEST JACK LINKS		
SPARE	JUNCTION NORMAL	JUNCTION BUSIED
7	[R] [R] 12	7 [R] 12
1	[R] 6	1 [R] 6

NOTE 6-6

NOTES 6-6 & 6-8

BATT. BK FUSE 0.7mm [4B2] V:- U12-5CB6 <math>\angle</math>RX1b D3a <math>\angle</math>CDe <math>\angle</math>(R5c-RTe)-Be <math>\angle</math>D2a R2Ab-R2Bb-R6b

ETH. R BAR 0.7mm [4A2] R:- U11-T1/2 E-LA2-(OC2)-LDA1-(RS1)-BI-R1a-TJ2

ENGR'S RECORD

50 V

OUTGOING JUNCTION RELAY SET  
OUT-OF-BAND SIGNALLING  
4 WIRE ROUTED SCHEMATIC (900 OHMS)

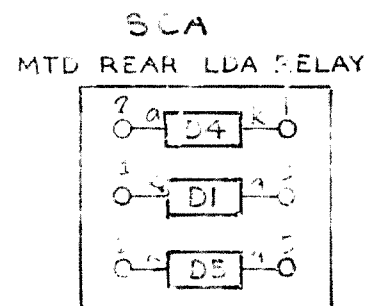
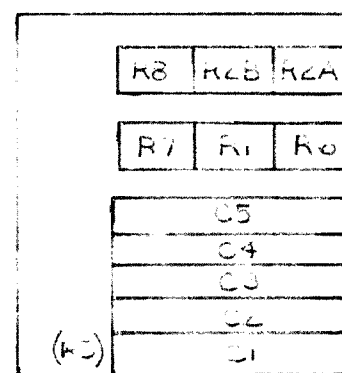
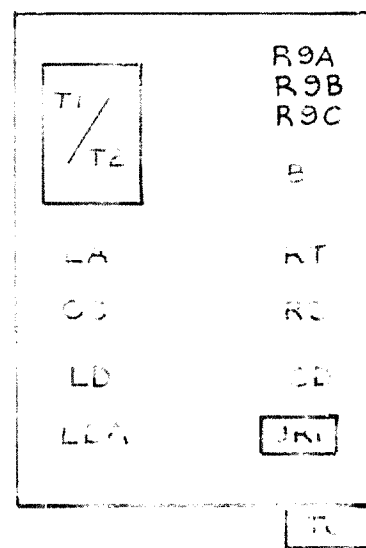
DATE	ISS	CHANGE
14 6 51	2	

ENGINEER-IN-CHIEF, WELLINGTON  
COY NO  
SHT 6 DRAWN: T-EQPT, TRACED: P.M.C.  
A1 34179

# RELAY CODES AND COMPONENTS LIST

RELAY NAME	B.C.C. CODE	N.Z.P.O. CODE	B.P.O. CODE	COY. CODE	NOTES	STOCK LIST NO	COMPONENT DESIGNATION	B.P.O. CODE	COY. CODE	NOTES	STOCK LIST NO	MISC COMPONENTS	NOTES	STOCK LIST NO	
B		50473AD4				WS	R1	9		150 <sup>Ω</sup>	KB 140	MTG PLATE	RS2/3000/10 (FIG 3)	LH680	
CD		50471AD11				WS	R2A-2B	9		300 <sup>Ω</sup>	KB 229	TEST JACK	12 PL 2' G	LC 148	
LA	HSD 710				B	WS	R3-4		RADIO TYPE	620 <sup>Ω</sup> 1/4 W 1% (FIG.3)	ER 853		BPO 3201 NOTE 3.2	LH 679	
LD	HSD 505				B	WS	R3-4		RADIO TYPE	910 <sup>Ω</sup> 1/4 W 1% (FIG.4)	ER 854C	RES POST	3 1/2	KB9B	
LDA	HSD 505				B	WS	R5		RADIO TYPE	47k 1/2 W (FIGS 3&4)	ER 245	FORM STRIP		LH814	
OC	B 4597				9.3	WS	R6	9		470 <sup>Ω</sup>	KB 276	SCREWS	2SCA-500 1/DST844	LH610	
RS		503545D6			9.3	WS	R7	9		1k	KB 343	INS PLATE		LE811	
RT	B 4289				9.3	WS	R8	2		1.5k	KB 371B	LINKS	TYPE N (RED)	LC216	
							R9A,9B,9C	9		450 <sup>Ω</sup> FIG 4B ONLY	KB 273	MTG PLATE	RS2/3000/12 (FIG 4)	LH63	
							RX1	2		RESISTOR NON-LINEAR	K 996				
							DI - D6		CV 7030	DIODE NOTES 3.1 & 3.4	K 907	PLUG BLADES	R/HAND NOTE 3.2	LH679A	
							D7		NZ4007 OR EQUIV.	FIG 4B ONLY	K 90	PLUG BLADES	L/HAND NOTE 3.2	LH679B	
							UR1			0-3.5 dB AND 0-5.5dB PADS		JACK BLADES	R/HAND NOTE 3.2	LH526A	
										NZ37762 (FIGS 5&7) AS SPECIFIED		JACK BLADES	L/HAND NOTE 3.2	LH527A	
							T1/T2		DTC 96762	UNIT HYBRID TRANSFORMER (FIG 4)	CA 16				
							T1-T2		TRIMAX	TRANSFORMER (FIG 3)	CA 13				
							C1, 2, 3	.02C		2.2F	KC 313				
							C4, 5	.101		1.2F	KC 250				
							D8		6V-3 OR EQUIV		K 933				
NOTES															
A - SPECIAL FACTORS OF SAFETY B - SPECIAL ADJUST. C - CCT. POINTS OR MODS.															
										NZ36579 FIG 7 AS SPECIFIED (NOTE 9.5)					

FIG. 4



LAYOUT

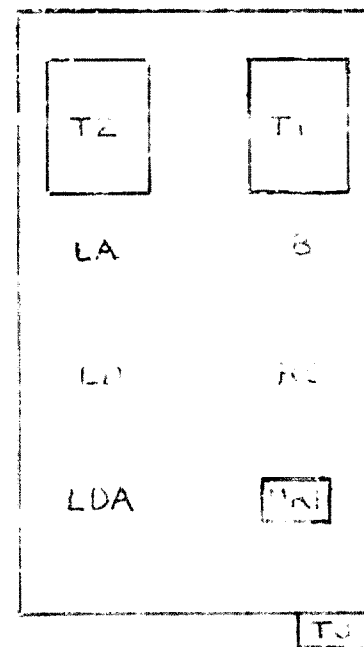
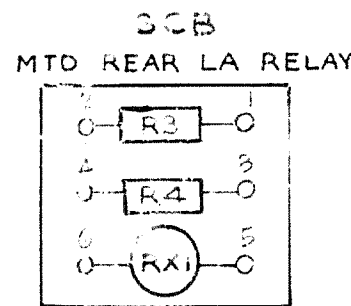
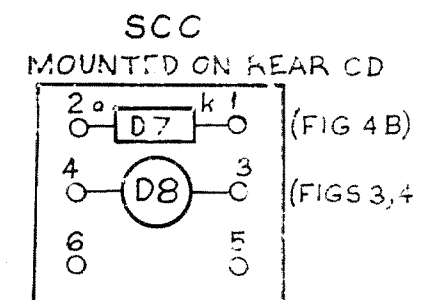
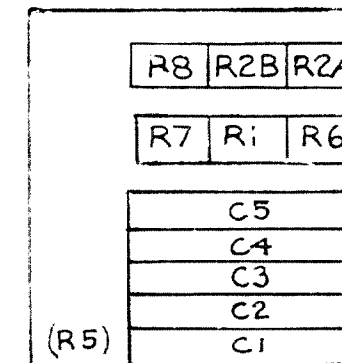


FIG. 5



CANCELLED

**NOTES:**

- 9.1 DIODES D2 & D3 MOUNTED REAR RELAYS B & CD.
- 9.2 PLUG & JACK BLADES 3 & 4, 7 & 8 TO BE REPLACED BY SILVER BLADES.
- 9.3 ONLY FITTED WHEN SPECIFIED ON FIG 4
- 9.4 DIODE D6 MOUNTED REAR RELAY RS.
- 9.5 NZ 36579 FIG 7 MOUNTED (WHEN SPEC'D) ON REAR OF RELAY LD.

## OUTGOING TRUNK RELAY SET OUT-OF-BAND SIGNALLING

RCCL FOR FIGS 3 & 4

DATE	ISS	CHANGE	N Z P O ENGINEER-IN-CHIEF WELLINGTON
24.11.75	A		COY. NO.:
26.11.75	D	RETRACED FROM ISS. C OF 12.5.75 3/1 NZS AMD.	ORIGIN: T-EQPT.
29.7.80	E	SCC ADDED LIST AMD. NZM-TT	SHT. 9
ENGINEER'S RECORD			DRAWN: T-EQPT. TRACED:
			34179