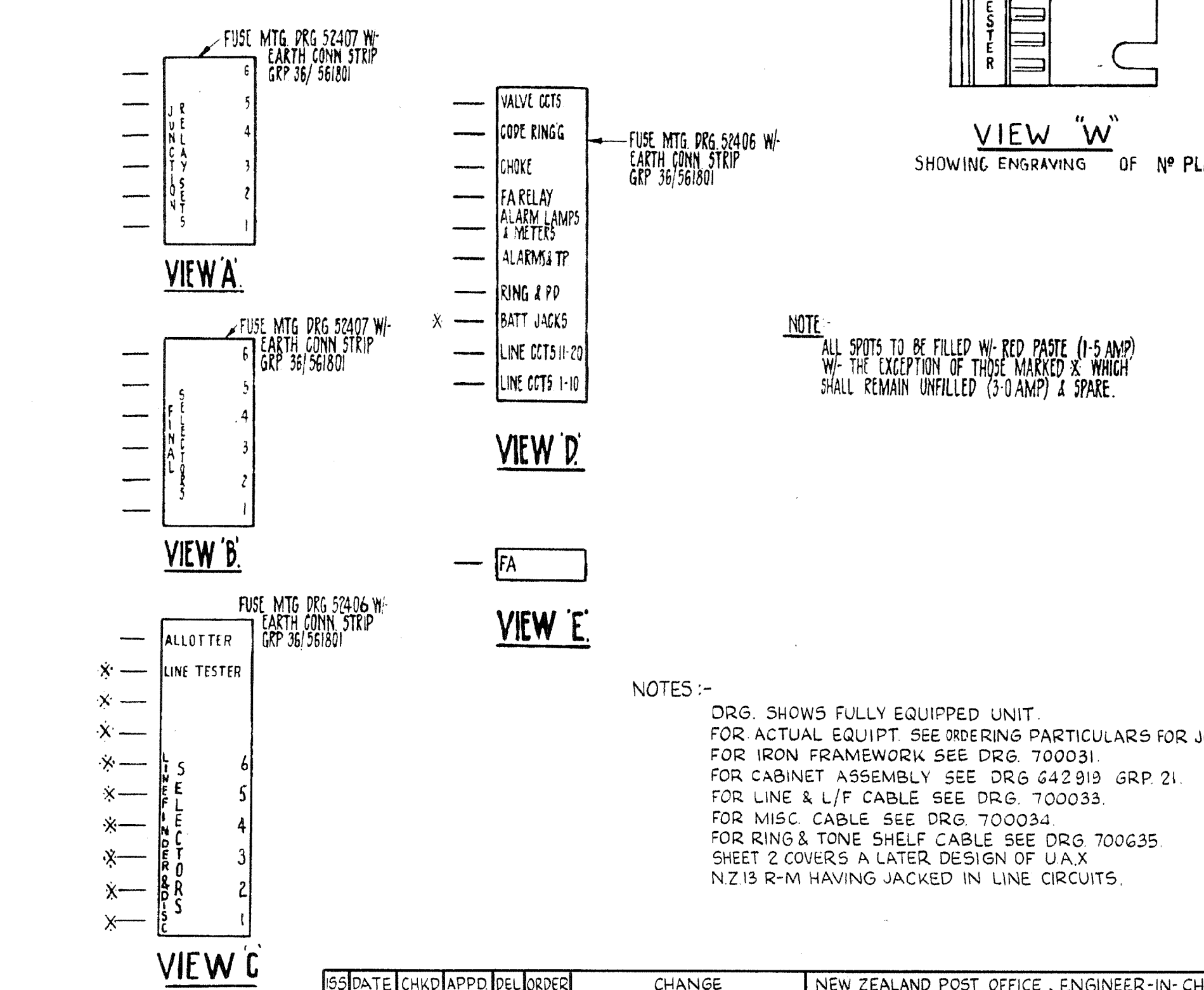
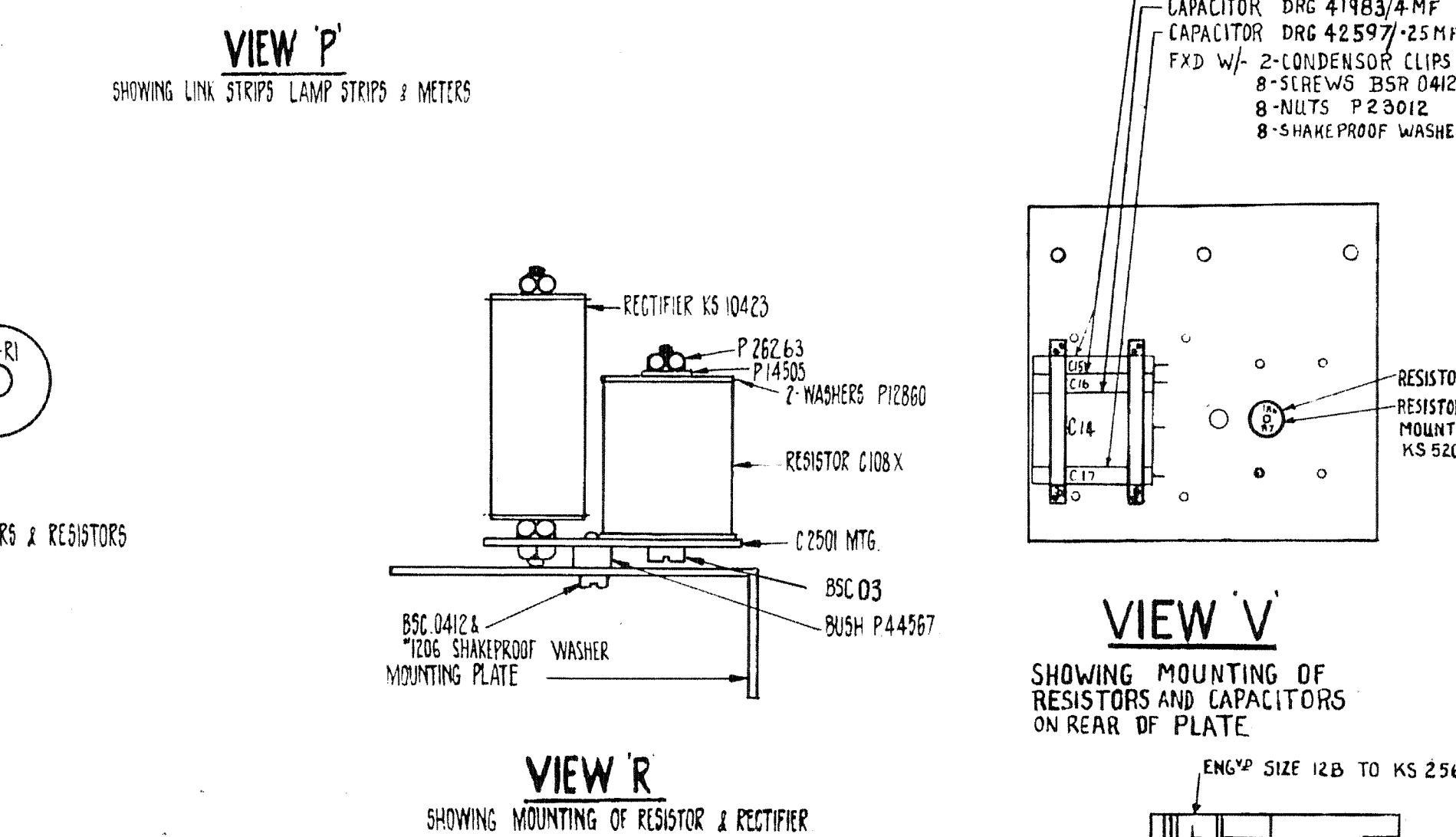
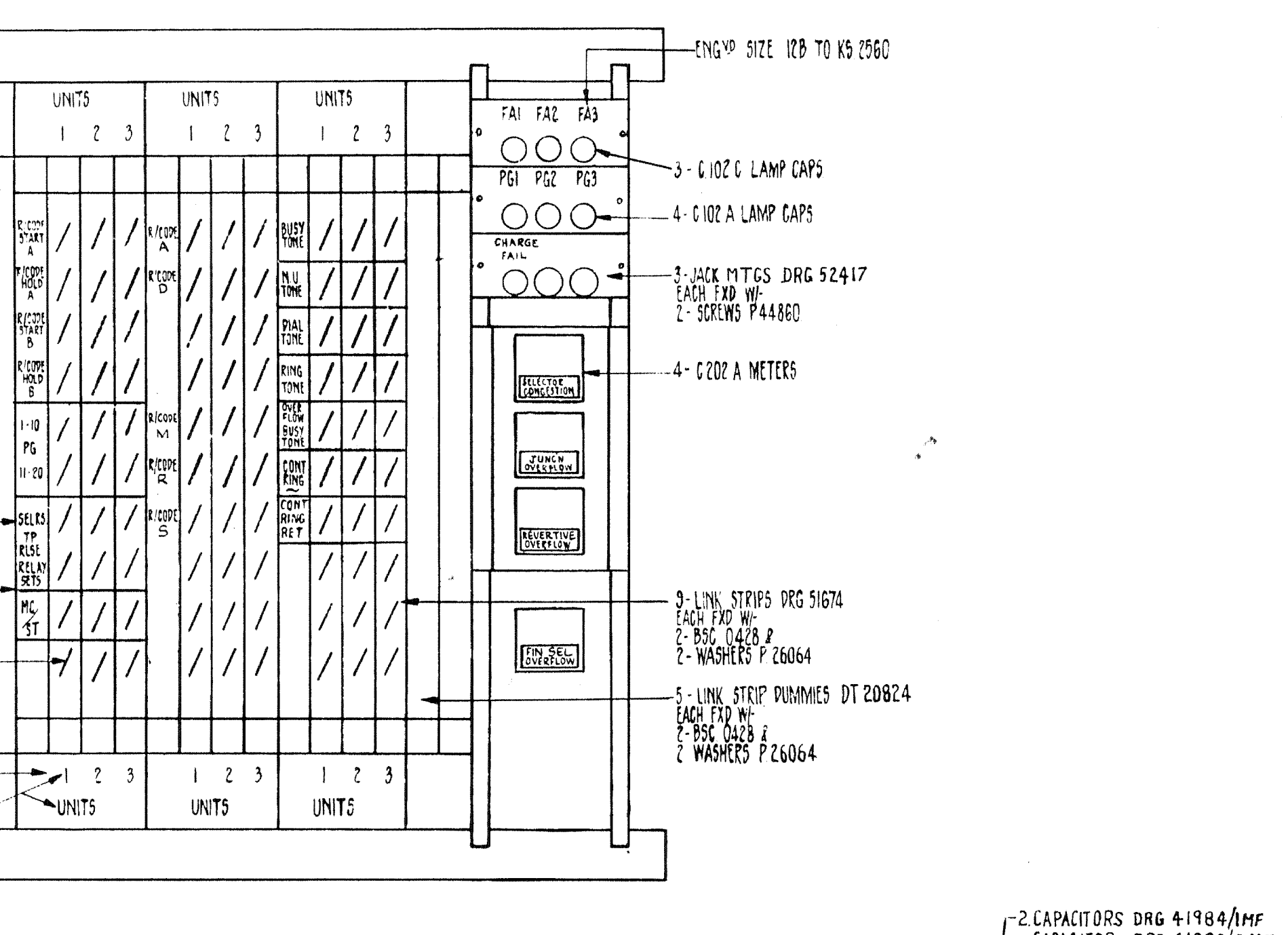
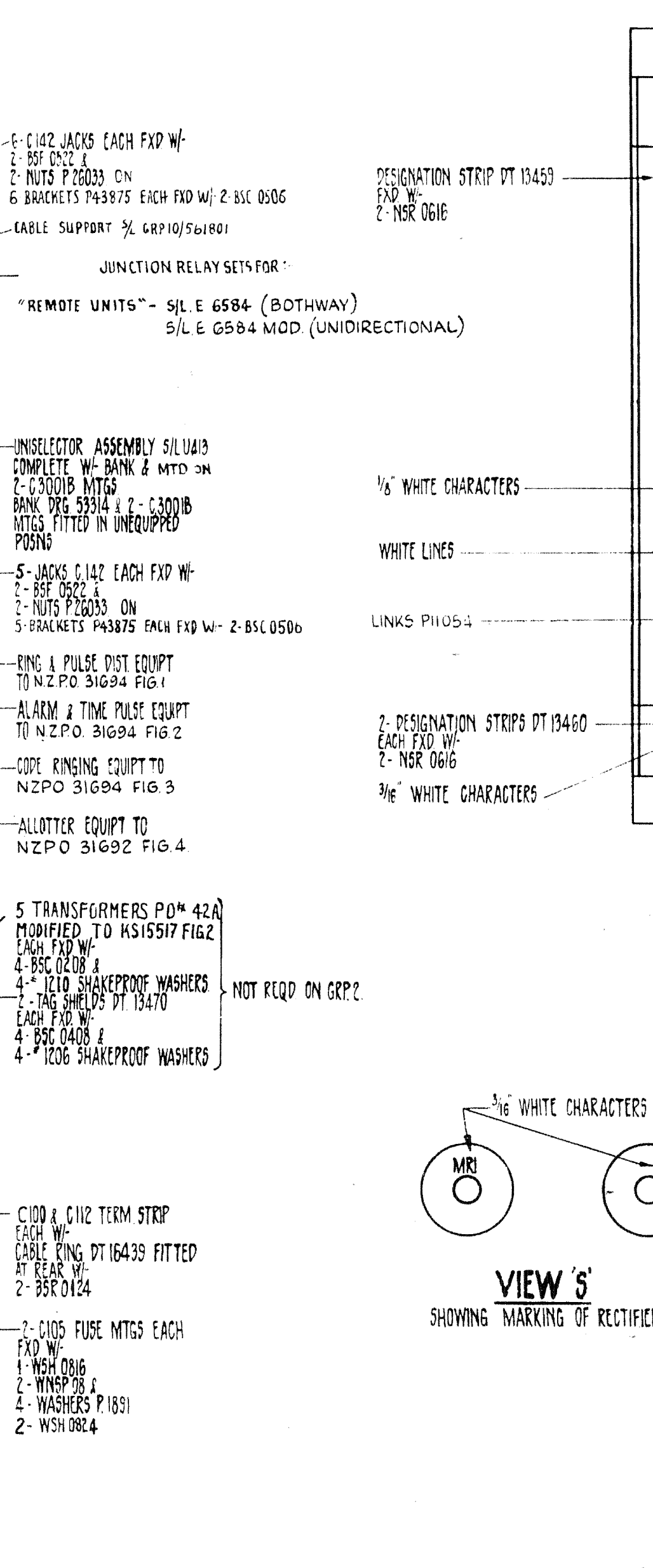
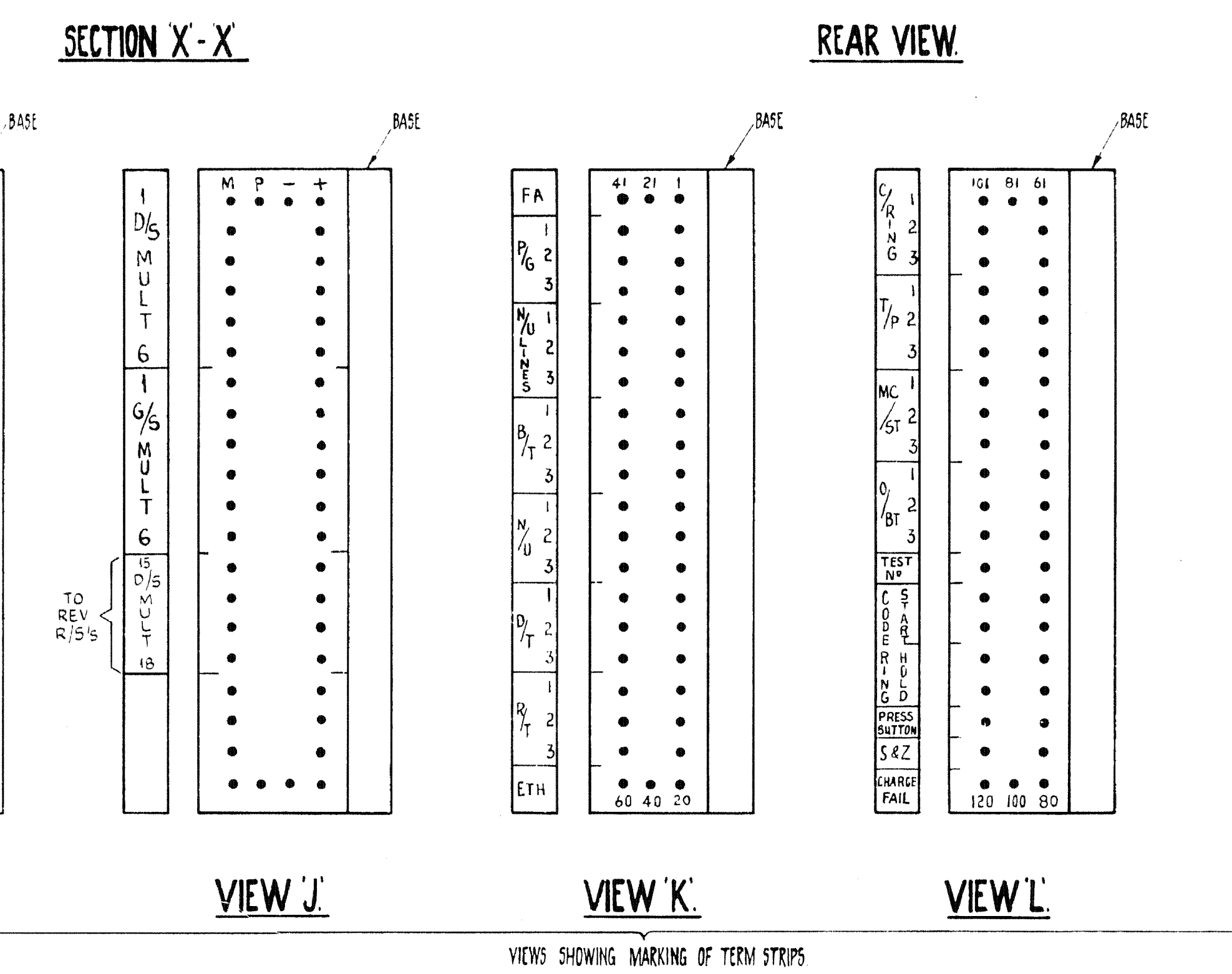
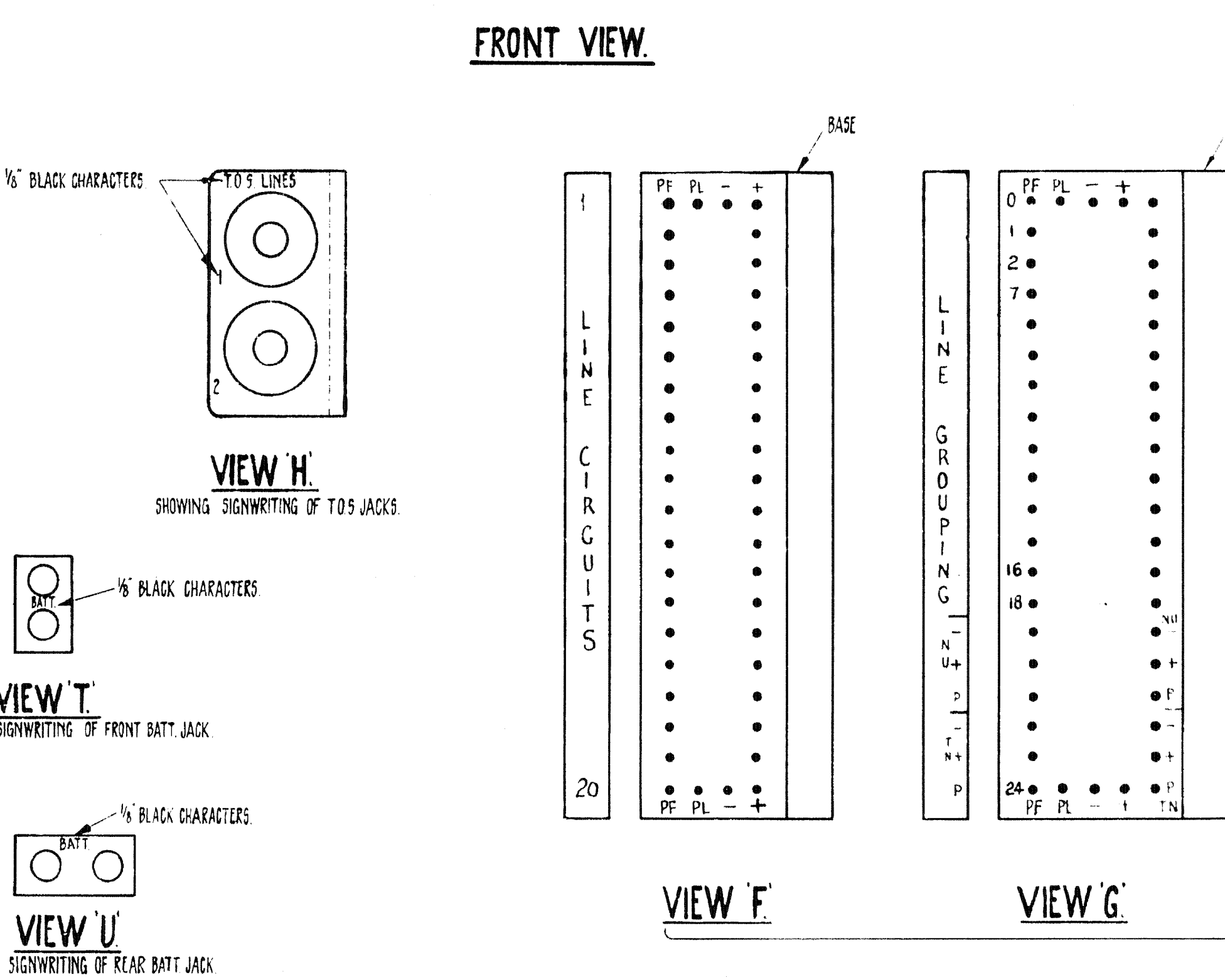
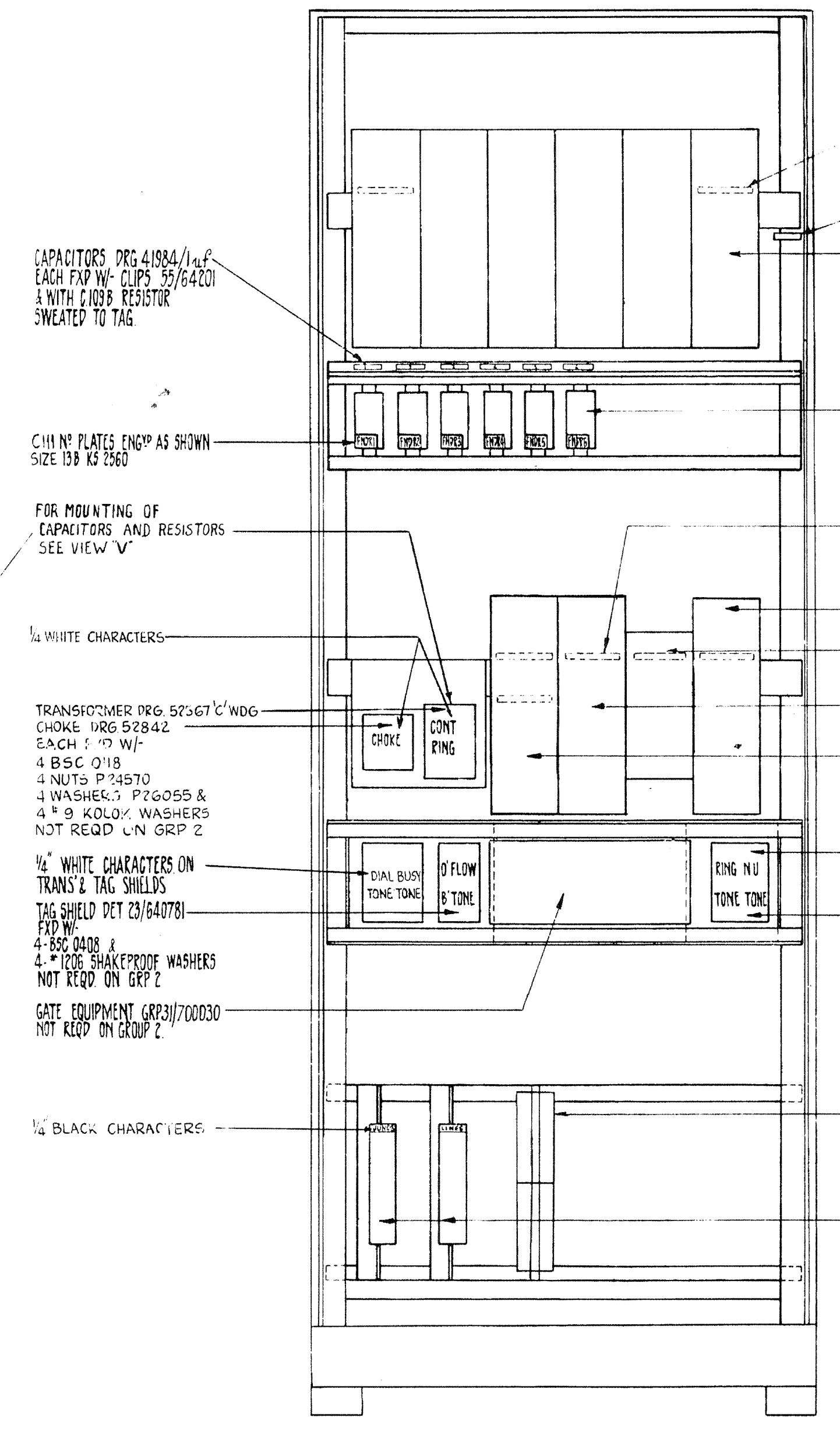
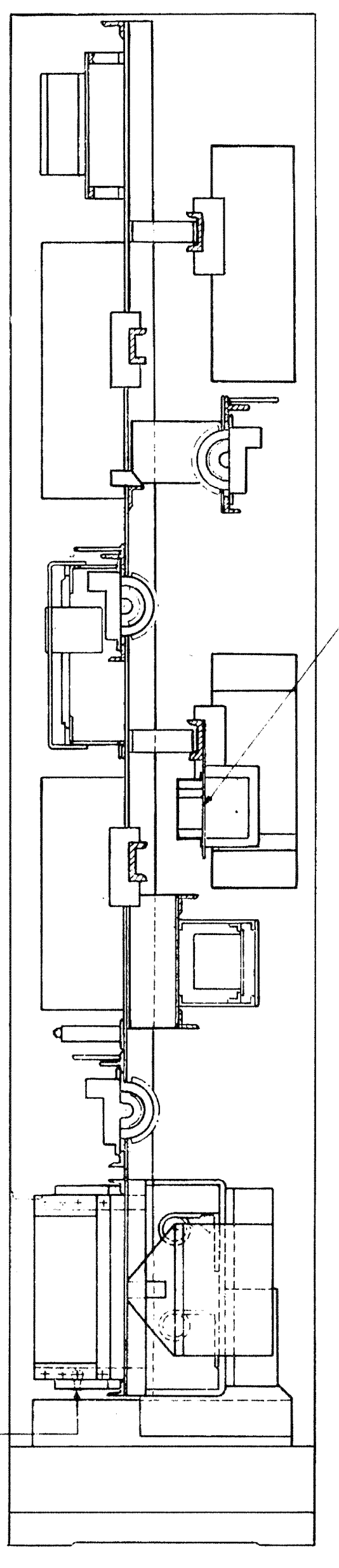
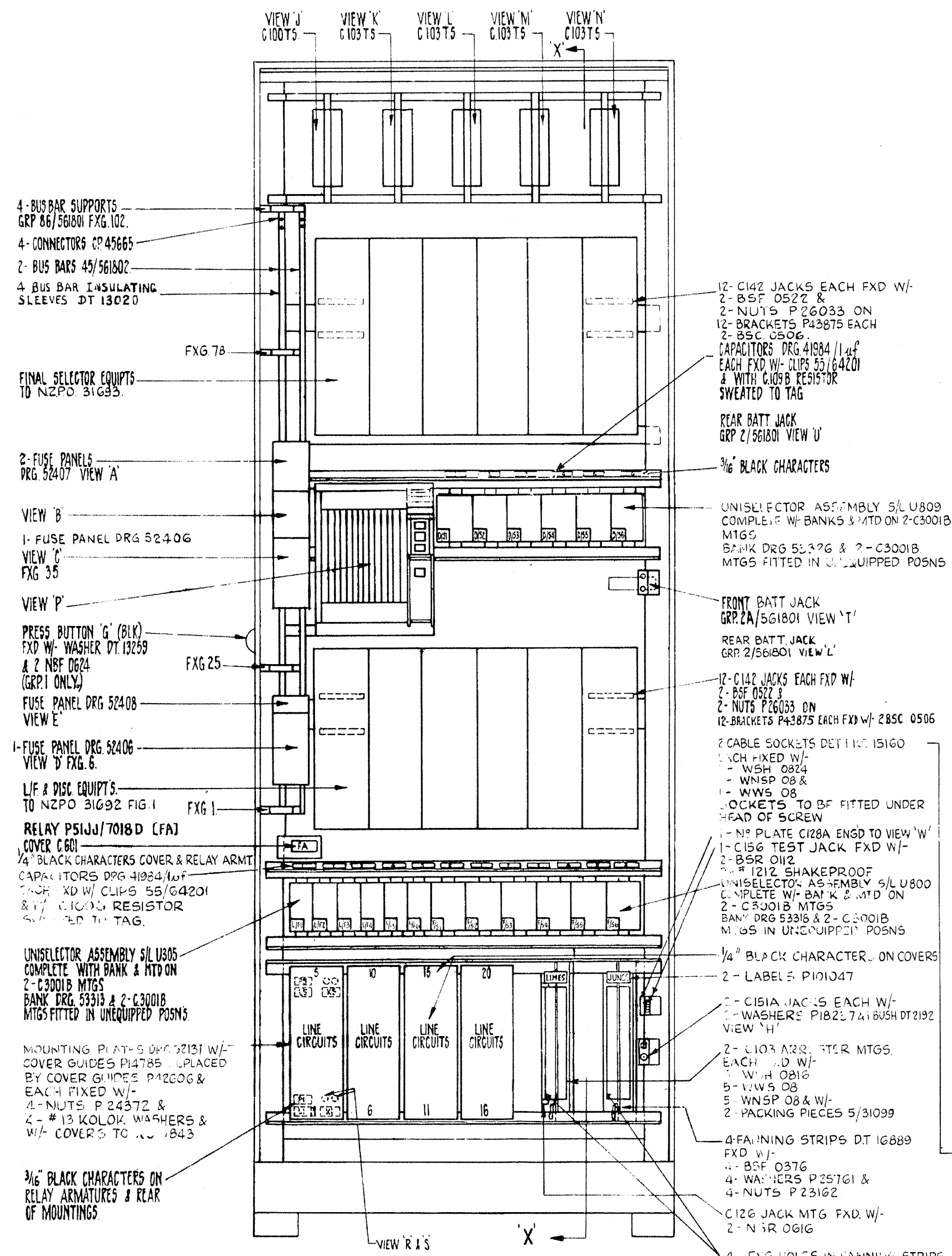


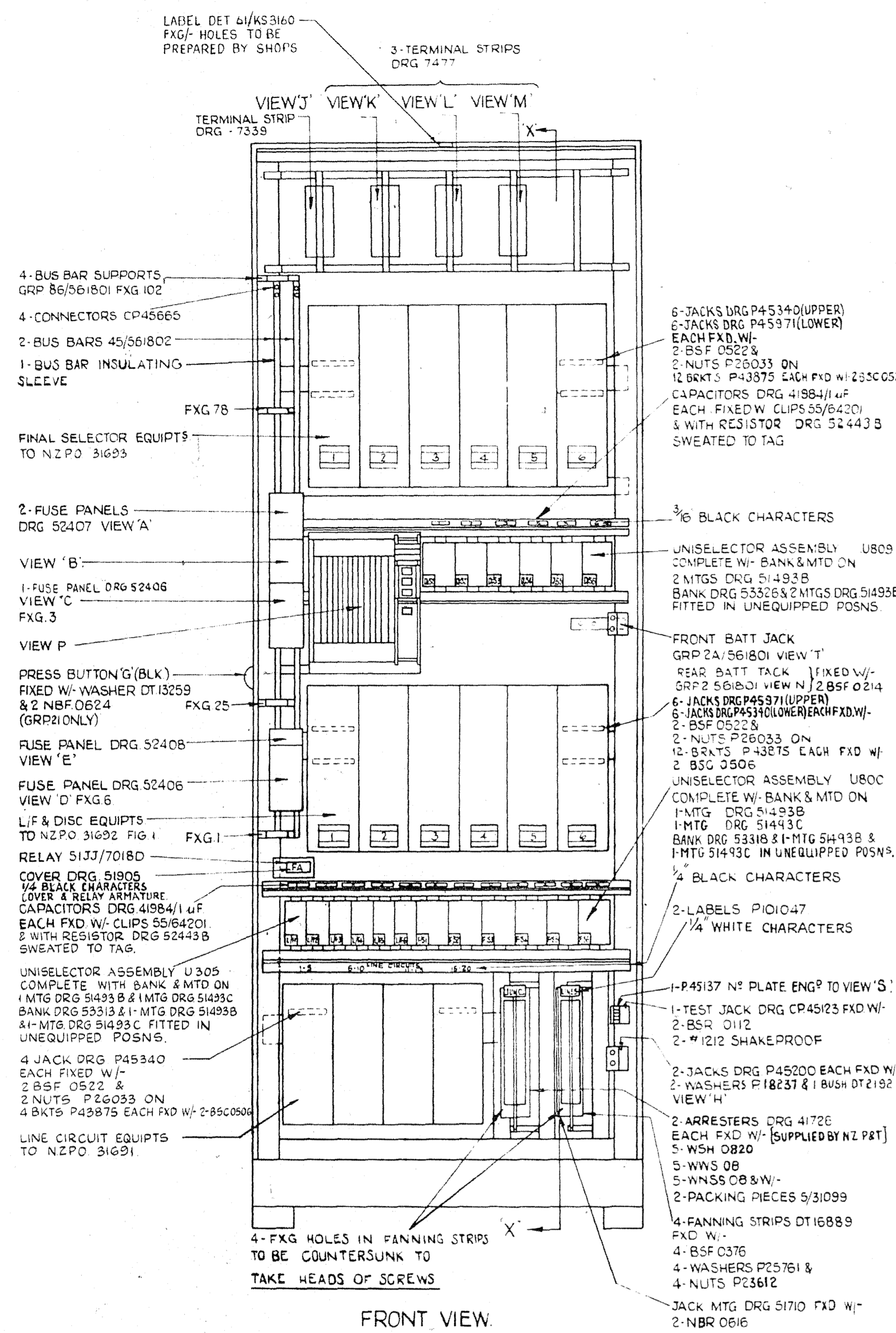
GROUPS 1 & 2
COMPLETE ASSEMBLIES



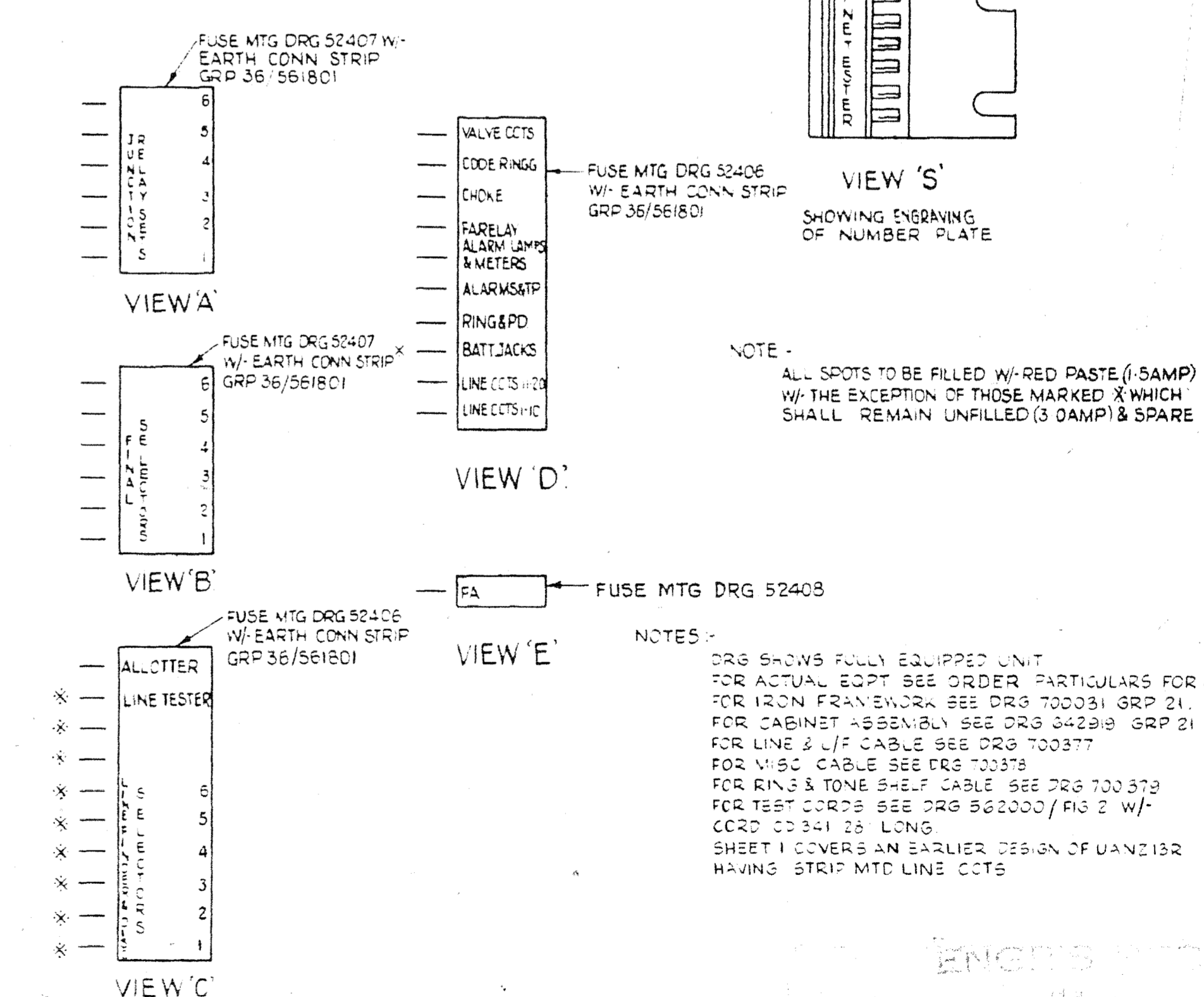
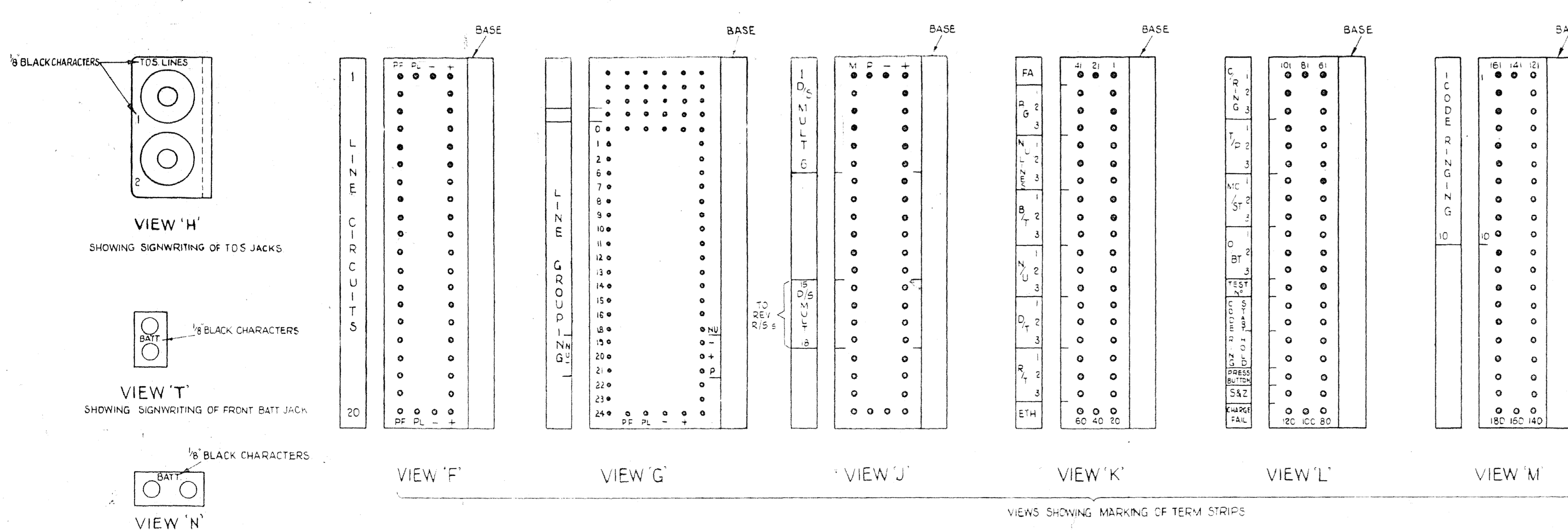
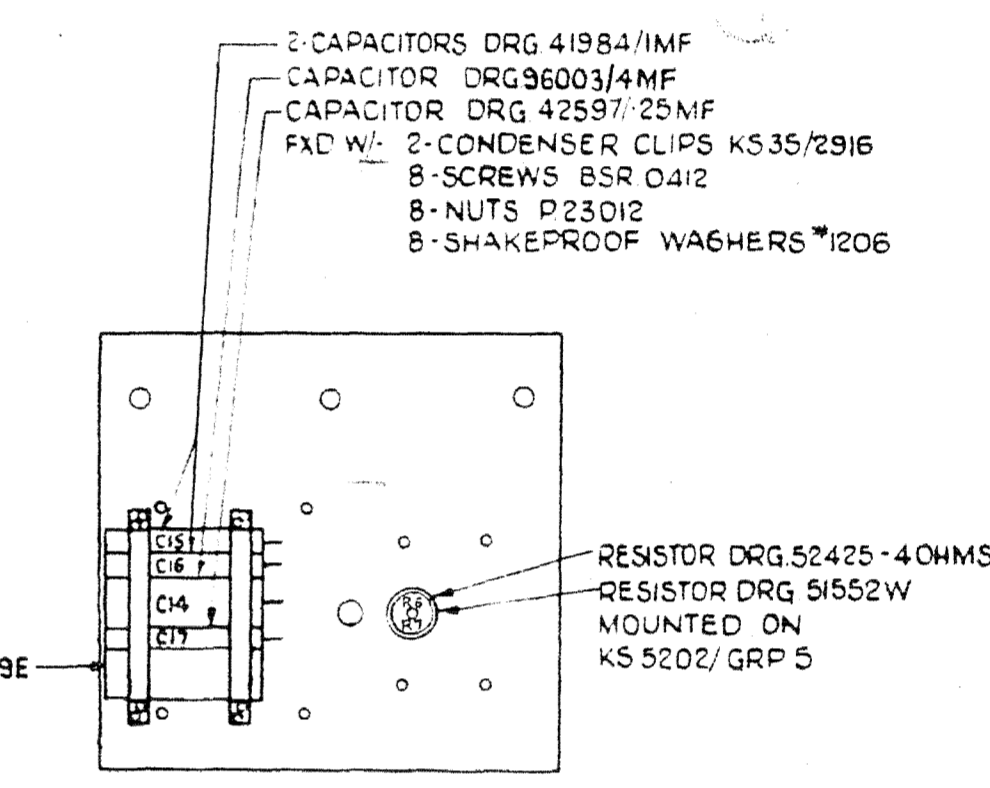
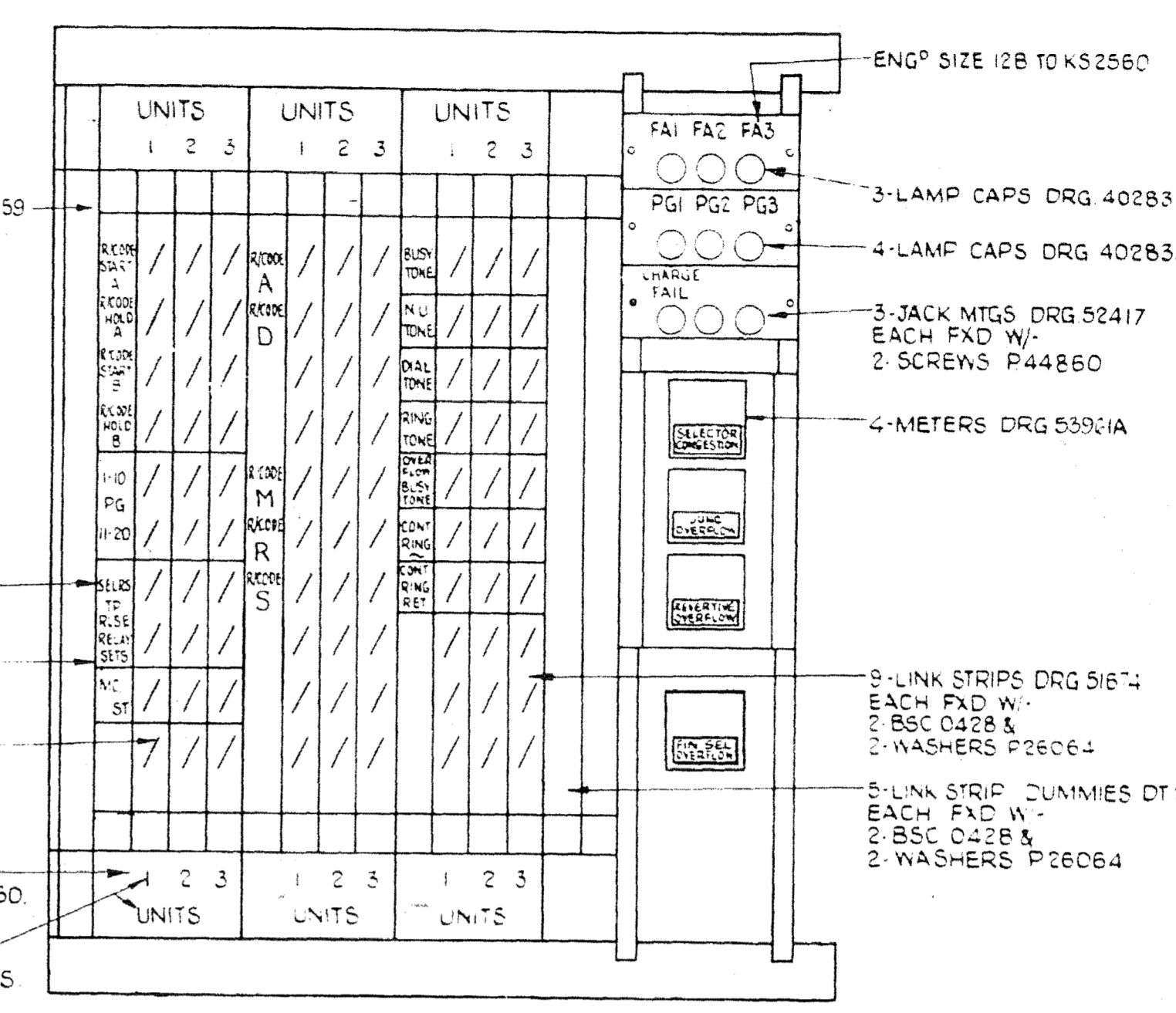
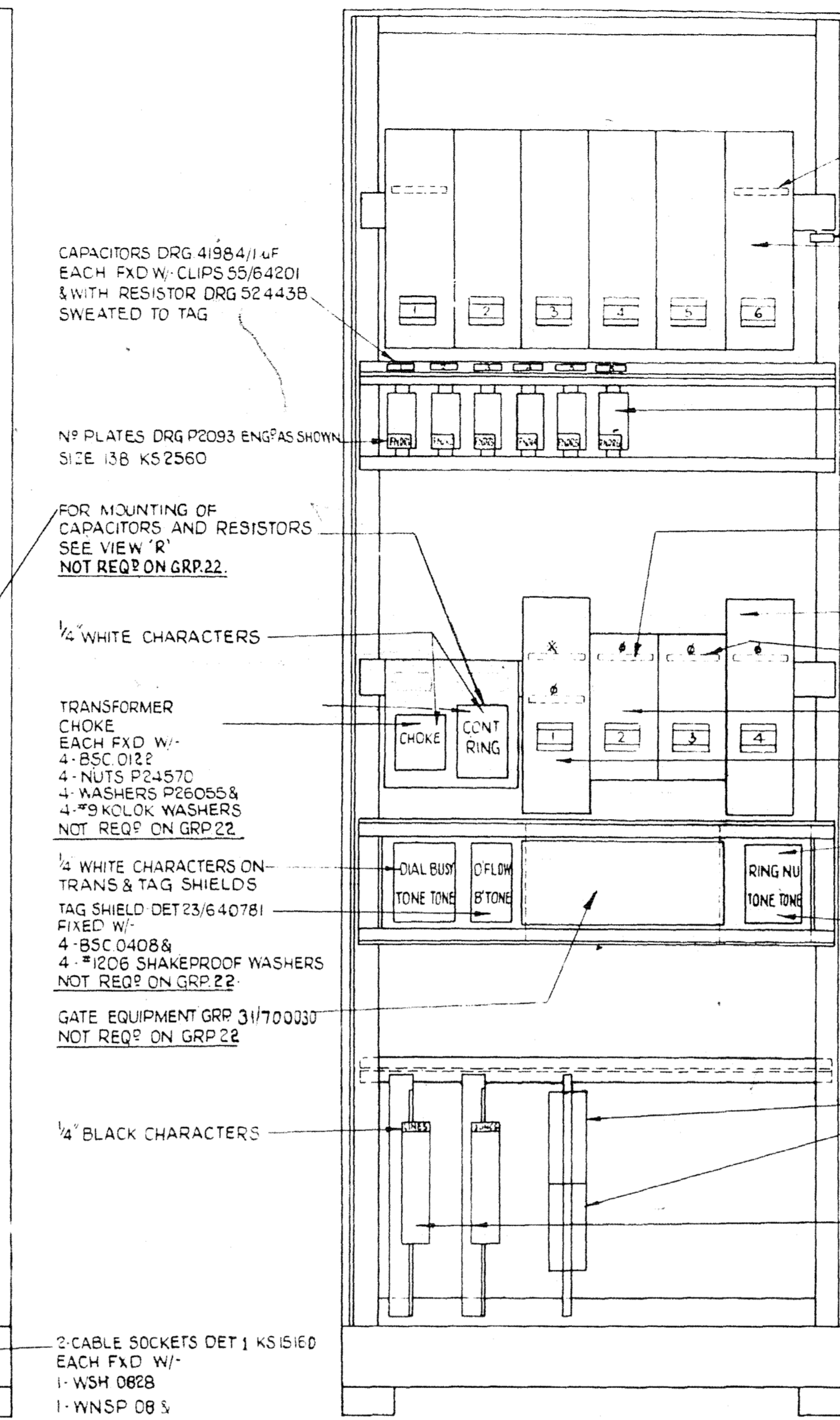
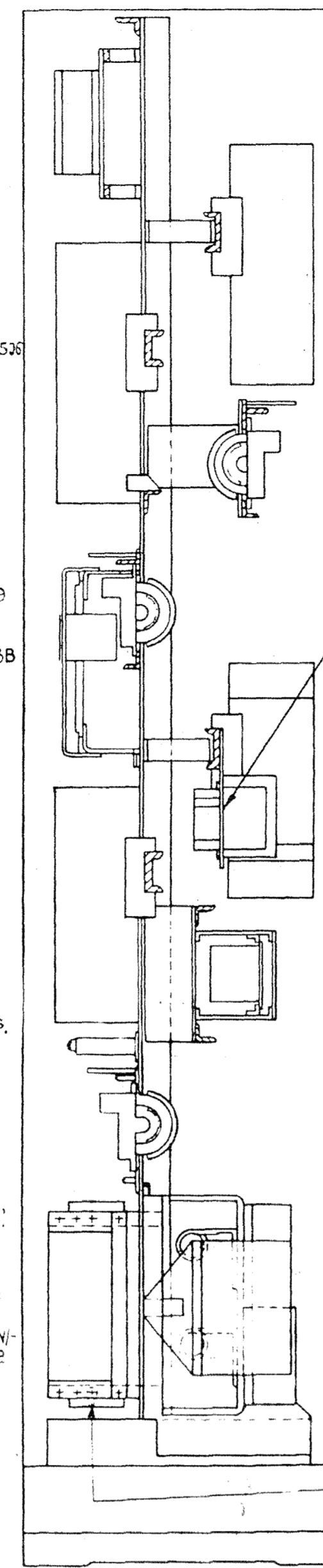
ISS DATE	CHNO	APPO	DEL	SDGR	CHANGE	NEW ZEALAND POST OFFICE, ENGINEER-IN-CHIEF, WELLINGTON
11/11/68	2	NYE	TKC	CHS	NO CHANGE SHEET 2 AMENDED	

EQUIPMENT		ORIGIN TEL. EDP. SECT. REFERENCE DRAWING	SIZE SHEET OF	33770 A
U.A.X. N.Z. 13 REMOTE M (RM)				
L	B			

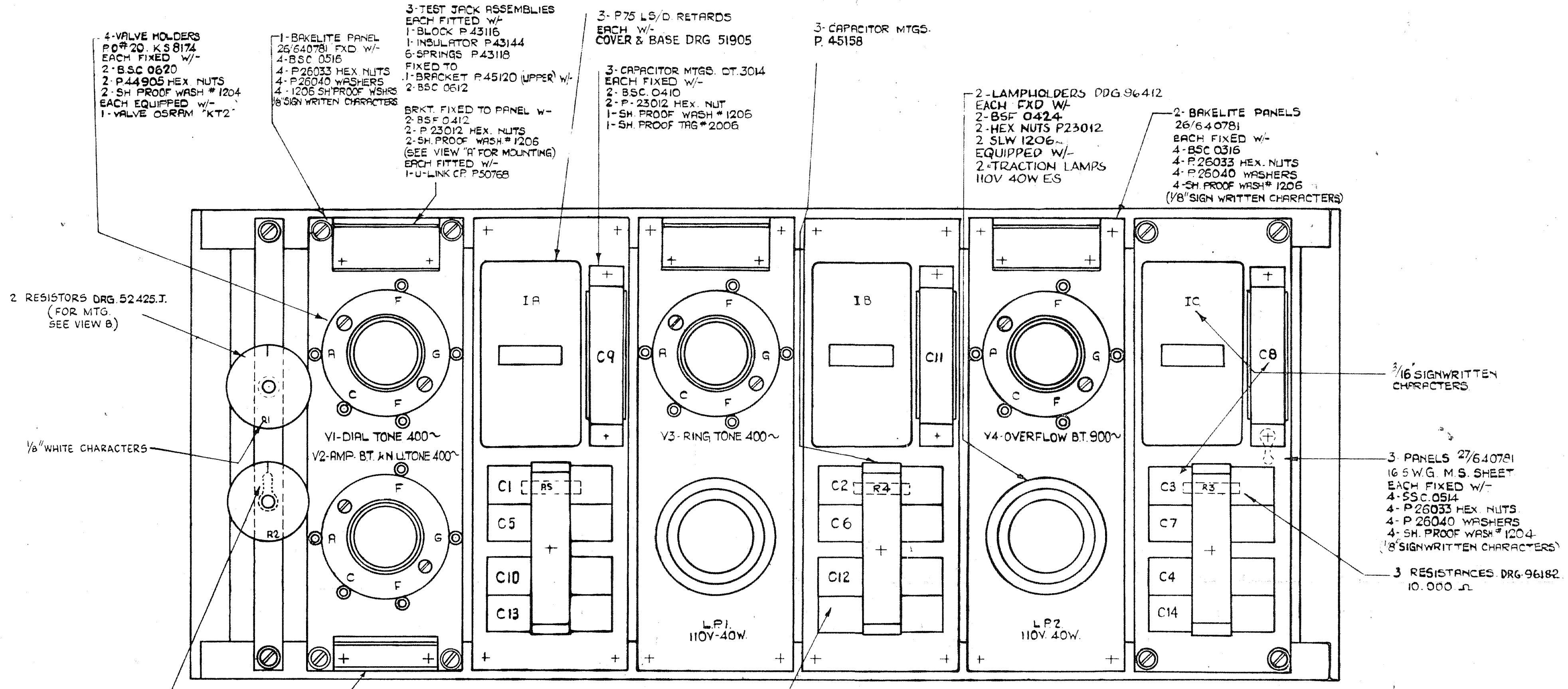
NOTES:-
DRG. SHOWS FULLY EQUIPPED UNIT.
FOR ACTUAL EQUIPT. SEE ORDERING PARTICULARS FOR JOB.
FOR IRON FRAMEWORK SEE DRG. 700031.
FOR CABINET ASSEMBLY SEE DRG. 642919 GRP 21.
FOR LINE & L/F CABLE SEE DRG. 700033.
FOR MISC. CABLE SEE DRG. 700034.
FOR RING & TONE SHELF CABLE SEE DRG. 700035.
SHEET 2 COVERS A LATER DESIGN OF U.A.X.
N.Z. 13-R-M HAVING JACKED IN LINE CIRCUITS.



GROUPS 21 & 22
COMPLETE ASSEMBLIES



DATE	CHKD	APP'D	REV	ISSUE	CHANGE	NEW ZEALAND POST OFFICE ENGINEERING DEPT. WELLINGTON
18/11/69	AK	NTG	1	1		
EQUIPMENT						
U.A.X. N.Z.13 REMOTE M (RM)						
DR. 313	TEL. EQPT 5507	REV	2	33770	A	
REFERENCE G.C. 700030		REV	3	B		
DRAWN TEL. EQPT 5507	SCALE 1:1					



4-VALVE HOLDERS
P0#20, K58174
EACH FIXED W/-
2-B.S.C 0620
2-P44905 HEX NUTS
2-SH PROOF WASH #1204
EACH EQUIPPED W/-
1-VALVE OSRAM "KT2"

1-BAKELITE PANEL
26/640781 FXD W/-
4-B.S.C 0516
4-P26033 HEX NUTS
4-P26040 WASHERS
4-1206 SH PROOF WSHRS
1/8" SIGN WRITTEN CHARACTERS

3-TEST JACK ASSEMBLIES
EACH FITTED W/-
1-BLOCK P43116
1-INSULATOR P43144
6-SPRINGS P43118
FIXED TO
1-BRACKET P45120 (UPPER) W/-
2-B.S.C 0612
BRKT. FIXED TO PANEL W/-
2-B.S.F 0412
2-P 23012 HEX. NUTS
2-SH. PROOF WASH #1206
(SEE VIEW "A" FOR MOUNTING)
EACH FITTED W/-
1-U-LINK CP P50768

3-P75 LS/D RETARDS
EACH W/-
COVER & BASE DRG 51905
3-CAPACITOR MTGS. DT.3014
EACH FIXED W/-
2-B.S.C 0410
2-P-23012 HEX. NUT
1-SH PROOF WASH #1206
1-SH. PROOF TAG #2006

3-CAPACITOR MTGS.
P. 45158

2-LAMPLHOLDERS DDG 96412
EACH FXD W/-
2-B.S.F 0424
2-HEX NUTS P23012
2-SLW 1206
EQUIPPED W/-
2-TRACTION LAMPS
110V 40W ES

2-BAKELITE PANELS
26/640781
EACH FIXED W/-
4-B.S.C 0316
4-P26033 HEX. NUTS
4-P26040 WASHERS
4-SH. PROOF WASH #1206
(1/8" SIGN WRITTEN CHARACTERS)

2 RESISTORS DRG 52425.J
(FOR MTG.
SEE VIEW B)

1/8" WHITE CHARACTERS

1/16" SIGNWRITTEN
CHARACTERS

3 PANELS 27/640781
16 S.W.G M.S. SHEET
EACH FIXED W/-
4-B.S.C 0514
4-P 26033 HEX NUTS
4-P 26040 WASHERS
4-SH. PROOF WASH #1204
(1/8" SIGNWRITTEN CHARACTERS)

3 RESISTANCES DRG. 96182
10.000 Ω

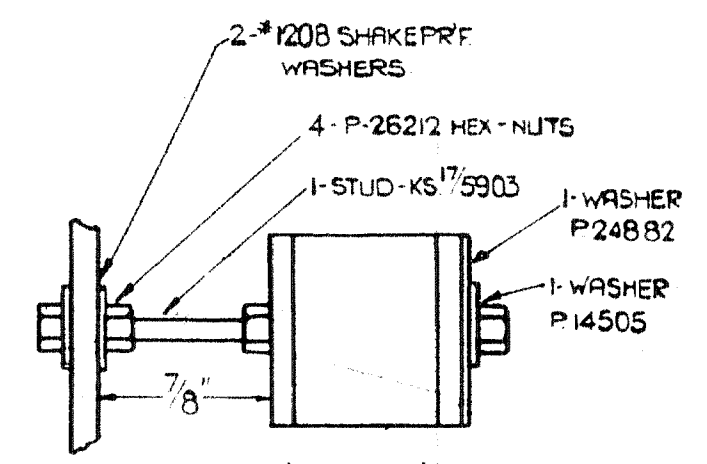
1-SH PROOF TAG
#2006.

1-TEST JACK ASSY
FITTED W/-
1-BLOCK P43116
1-INSULATOR P43144
6-SPRINGS P43118
FXD TO
1-BRACKET (LOWER, DT.16627
1-U-LINK EP P50768

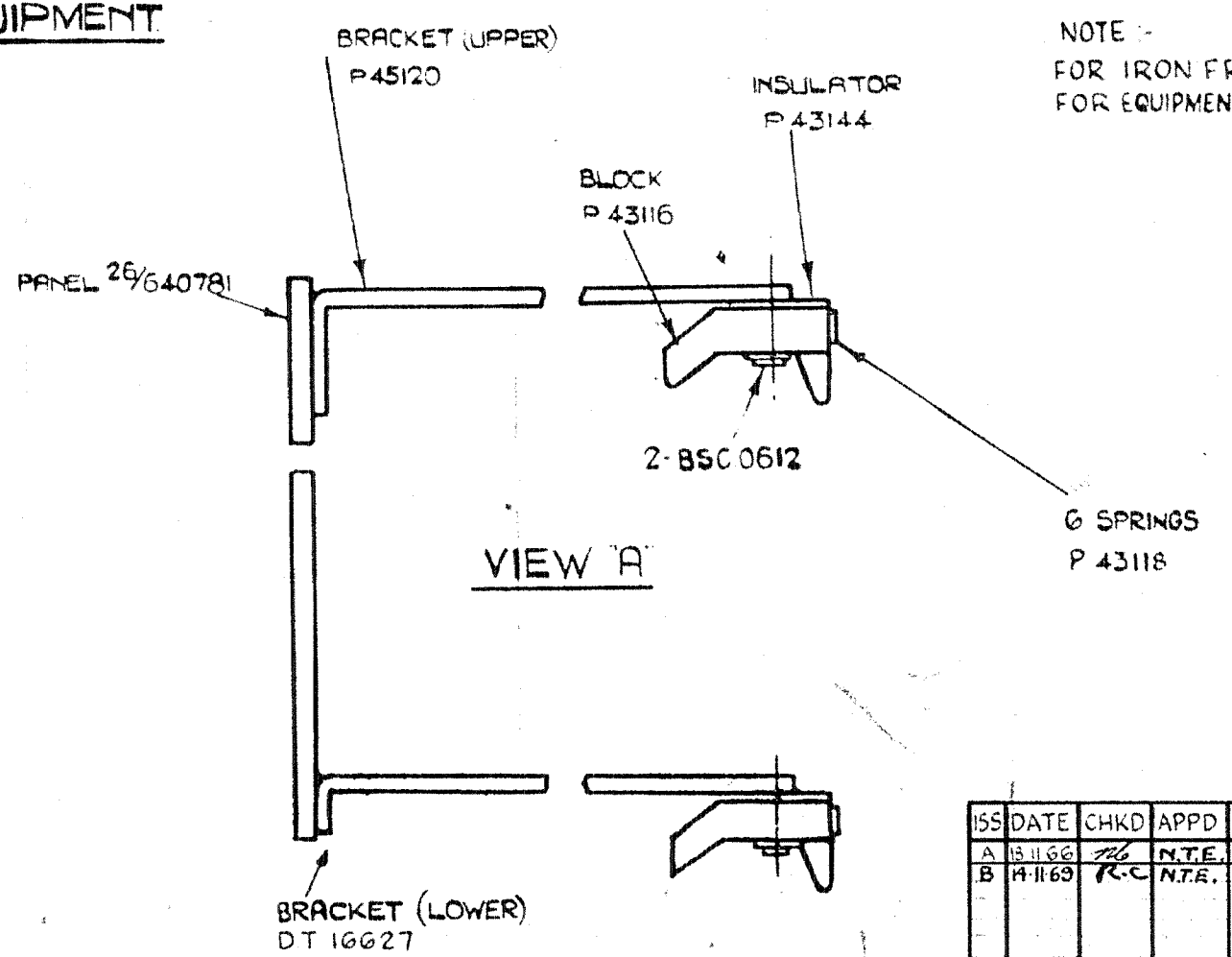
BRKT. FXD TO PANEL W/-
2-B.S.F 0412
2-P23012 HEX. NUTS
2-#1206 SHAKEPRF. WASHERS
(SEE VIEW "A" FOR MTG)

1-CAPACITOR SPACE DRG. 32889F

FRONT VIEW OF GATE EQUIPMENT
GROUP 31



VIEW B
SHOWING MTG. OF RESISTOR DRG. 52425 J



NOTE --
FOR IRON FRAMEWORK SEE DRG 640781
FOR EQUIPMENT AS FITTED ON GRP1 UNIT SEE DRG 640782.

ISS	DATE	CHKD	APPD	DEL	ORDER	CHANGE	NEW ZEALAND POST OFFICE, ENGINEER-IN-CHIEF, WELLINGTON
A	11/66	N.T.E.	JAG	0355			
B	11/69	N.T.E.	EDM	0636		NO CHANGE SH12 AMENDED	

EQUIPMENT		SIZE	SHEET	33770	A
U.A.X. N.Z.13 REMOTE M (RM)		M	3		
ORIGIN	TEL. ECPT. SECT.	OF	3		
DRAWN	TEL. ECPT. TRACED	BY	B		

13 W/115
SPARE