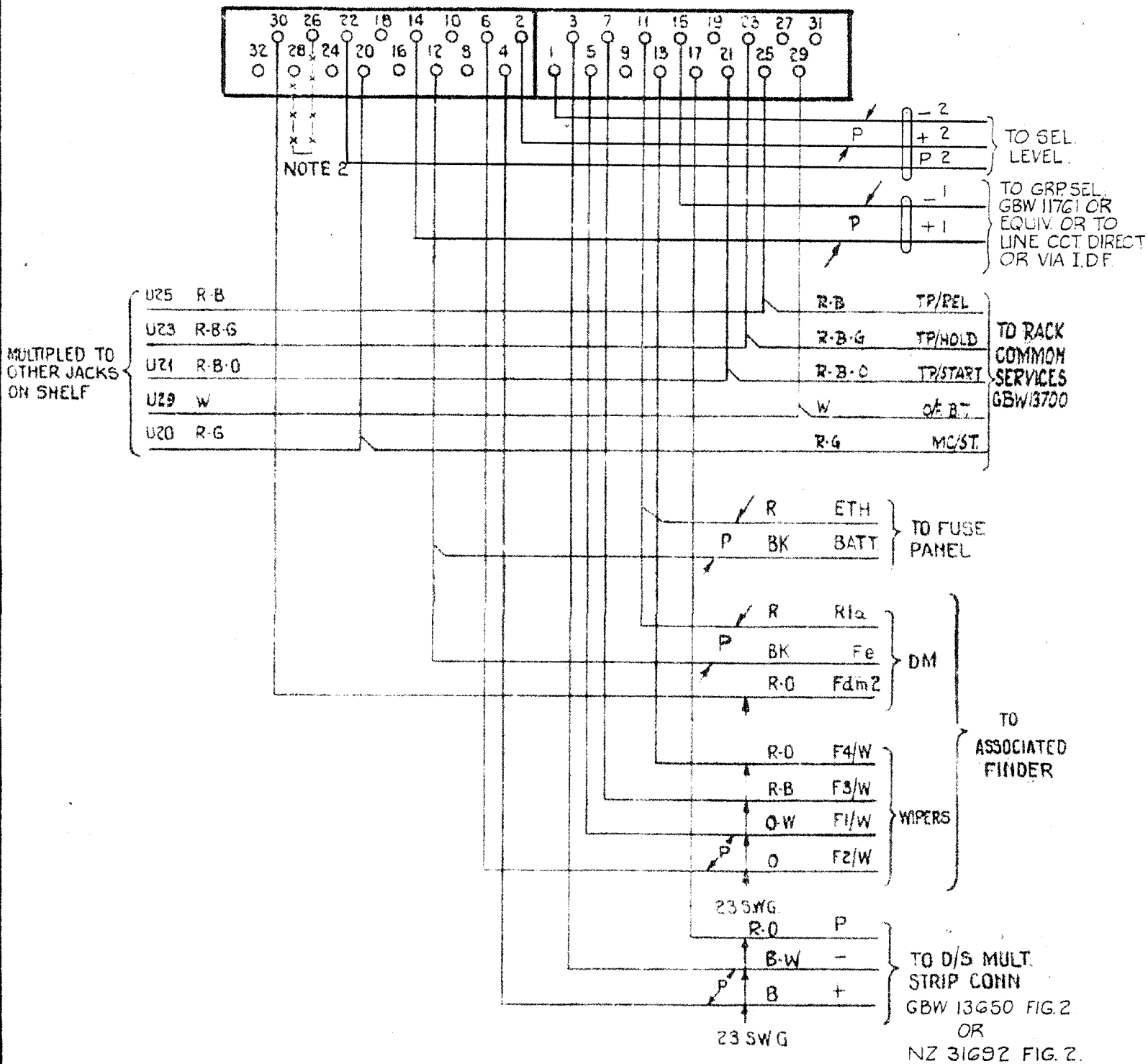




AS SEEN FROM REAR



NOTES

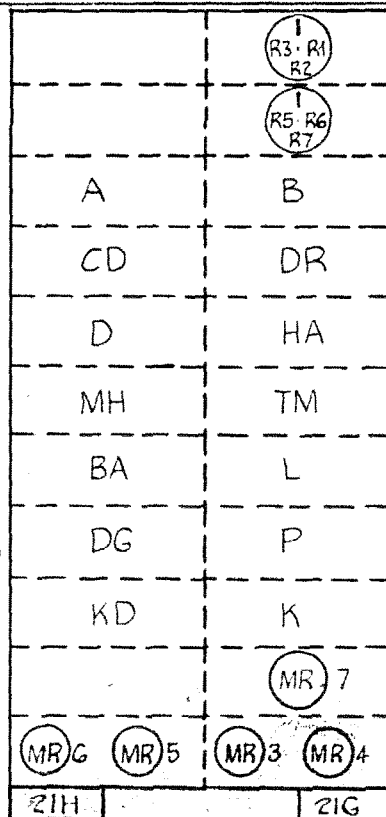
1. SHELF JACK U POINTS U9&U11 AND 22 & 24 TO MAKE CONTACT WHEN RELAY SET IS REMOVED.
2. WHEN RESISTANCE OF JUNCTION EXCEEDS 200<sup>Ω</sup> INSERT STRAP SHOWN -x-x-x-.
3. ALL WIRE UNLESS OTHERWISE SPECIFIED TO BE 20 S.W.G

ISS.	DATE	CHKD.	APP.	DEL.	ORDER	CHANGE	NEW ZEALAND POST OFFICE, ENGINEER-IN-CHIEF, WELLINGTON.
A	14-10-65	N.T.E.	DIG	RY	68550		
<p><b>INCOMING &amp; OUTGOING RELAY SETS</b>  <b>U.A.X. NZ 13R OR REMOTE M</b>  <b>INSTALLED IN</b>  <b>AMX. CAX. MAX OR SAX.</b></p>							
						ORIGIN	TEL. EQUIP SECT
						SIZE	SHEET
						F	2
						CF	3
						33049	A
						DRAWN	TEL. E. SEC. TRACED

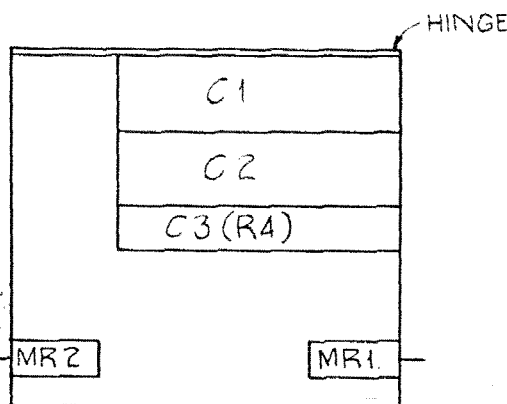
# N.Z.P.O. RELAY CODES & COMPONENTS LIST.

RELAY NAME	NZPO CODE	COY CODE	B.C.C CODE	BPO CODE	NOTES	COMPONENT DESIGNATION	BPO CODE	COY CODE	NOTES
A		HSD702			B	R1	9		
B		20794				R2	9		
BA		20780				R3	9		
CD		20795				R6	9		
D		7905				R7	9		
DG	50394PA.					R5	12		
DR		4031				R4	6		
HA		20798				MR1-7	1/12AZ		
K		2190				TR1		P97129	
KD		20782P			B	TJ	21G&21H		
L		1590				C1, C2	102		
MH		20796				C3	101		
P	50395PA								
TM		20797							

NOTES - A SPECIAL FACTORS OF SAFETY B SPECIAL ADJUSTMENTS C CCT POINTS OR MODIFICATIONS



FRONT VIEW



REAR COVER (COVER OPEN)

SS	DATE	CHKD	APPD	DEL	ORDER	CHANGE	NEW ZEALAND POST OFFICE ENGINEER-IN-CHIEF, WELLINGTON
A	14-10-65	N.T.E.	AS		RY. 68550		COMPONENTS LAYOUT FOR CIRCUIT TITLED :- <b>INCOMING &amp; OUTGOING RELAY SETS</b> U.A.X. NZ 13R OR REMOTE M INSTALLED IN AMX. CAX. MAX. OR SAX.
							ORIGIN TEL. EQPT. SECT. REF. GBW 13670
							DRAWN TEL. E. SEC. TRACED RSY.
							SIZE SHEET 3 OF 3
							33049 A