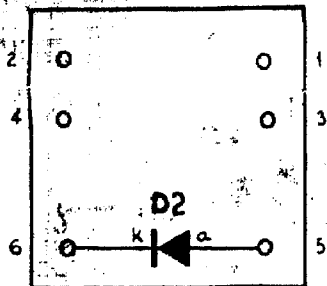


NZPO RELAY CODES & COMPONENTS LIST.

RELAY NAME	NZPO CODE	COY CODE	B.C.C. CODE	B.P.O. CODE	NOTES	COMPONENT DESIGNATION	B.P.O. CODE	COY CODE	NOTES
A			HSD71G		B				
LS			HSD702		B	CIA	105		
B			73957			C1B, C2, C3, C4	102C		
CD	5448AD10					R1, R2	6		
RR			7006		C	R3, R4, R5	9		
						DI-2		IN4003 OR IN4007	
						RX1	2		MTD AT REAR OF RELAY CD
						TU			JACKS N° 21H S.L. N° LC147B
						SCA	1/D5T/844		STRIP, CONNECTION
							1/SPL/196		INSUL. PLATE
									SCREWS, 4BA x 3/8
						T1		P97129 415A	600/600 Ω (EARLY EQUIP) 600/600 Ω (S.L. N° K980E) 600/600 Ω TRP244 (S.L. N° CA11) 600/1200 Ω TRP244 (S.L. N° CA13)

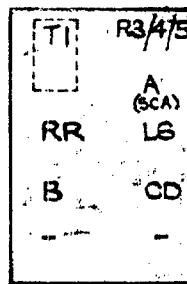
NOTES - A SPECIAL FACTORS OF SAFETY B SPECIAL ADJUSTMENTS C CCT POINTS OR MODIFICATIONS

C EARLY CCTS USED 20906

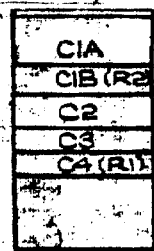


SCA
(MTD AT REAR OF RELAY A)

NOTE 2:1



TU LAYOUT
(FRONT VIEW)



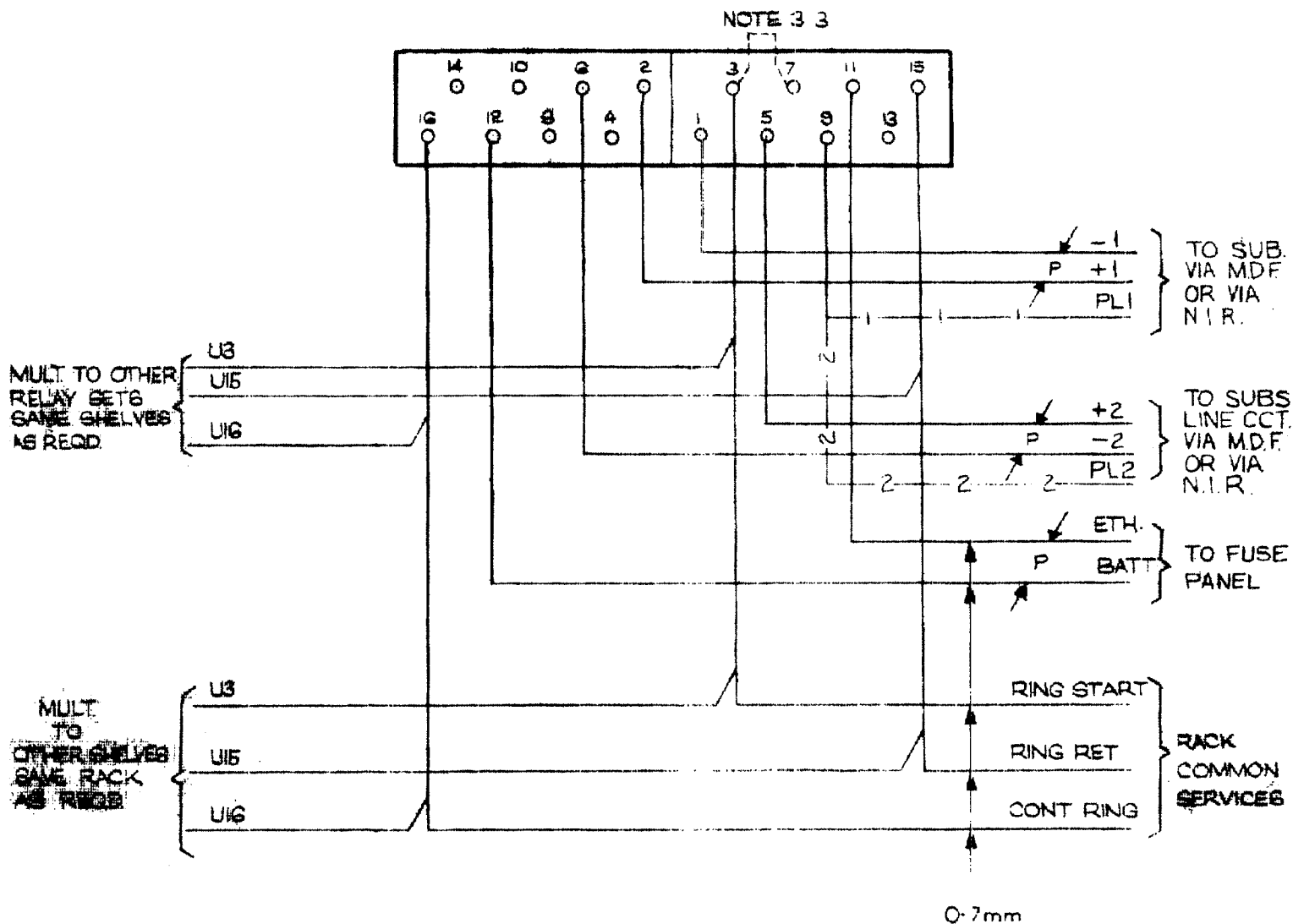
CAPACITOR BOX

NOTE:

2:1 DOTTED MTG POSITION REQUIRED FOR EARLIER P97129 TRANSFORMER, AND TA 2272.

ISS	DATE	CHKD	APPD	DEL	ORDER	CHANGE	NEW ZEALAND POST OFFICE ENGINEER-IN-CHIEF WELLINGTON																
A	8.7.62	J.G.	K.S.	03	54380		COMPONENTS LAYOUT FOR CIRCUIT TITLED: SUBSCRIBERS LONG LINE REPEATER (FOR FOREIGN EXCHANGE SERVICE) WITH N.I.R. SWITCHING																
B	25.5.72	K.G.	C.J.W.	10	30095	TRANSFORMER T1 CODE REVISED																	
C	31.8.72	GRB	G.F.E.	PE	100000	TU ADDED NOTE 2:1 & TITLE AMD.																	
D	19.11.81	B.W.I.	P.W.M.	A.R.L.	17429	NO CHANGE, SHT. 3 AMP.																	
E	9.5.83	B.W.I.	R.J.G.	G.U.	38259	SCA & D2 ADDED T1 INFO IN CIR.																	
<table border="1" style="width: 100%; border-collapse: collapse;"> <tr> <td>ORIGIN</td> <td>TEL. EQPT. SECT.</td> <td>SIZE</td> <td>SHEET</td> </tr> <tr> <td></td> <td></td> <td>F</td> <td>2</td> </tr> <tr> <td>DRAWN</td> <td>TELE. SEC.</td> <td>TRACED</td> <td>BY</td> </tr> <tr> <td></td> <td></td> <td></td> <td>3</td> </tr> </table>							ORIGIN	TEL. EQPT. SECT.	SIZE	SHEET			F	2	DRAWN	TELE. SEC.	TRACED	BY				3	32972
ORIGIN	TEL. EQPT. SECT.	SIZE	SHEET																				
		F	2																				
DRAWN	TELE. SEC.	TRACED	BY																				
			3																				

AS SEEN FROM REAR



NOTE:

- 3.1 U-PTS 9 & 11 DO NOT MAKE CONTACT WHEN RELAY SET REMOVED
- 3.2 ALL WIRING NOT OTHERWISE SPECIFIED TO BE 0.5mm
- 3.3 STRAP U3-U7 AND EQUIP RING START LEAD WHEN RING START REQUIRED
- 3.4 WHEN +1 -1 LEADS WIRED THROUGH N.I.R. PROVIDE PL1 LEAD ---1---. WHEN +2, -2 LEADS WIRED THROUGH N.I.R. PROVIDE PL2 LEAD ---2---2---

DATE	CHKD	APPO	DEL	ORDER	CHANGE	NEW ZEALAND POST OFFICE, ENGINEER-IN-CHIEF WELLINGTON
31-8-73	GRS	GFE	RE	10000	NO CHANGE SHTS 1 & 2 AND WIRING SIZES CONVERTED TO METRIC. NOTE 3 & 4 ADDED & TITLE AMP.	<p style="text-align: center;">SUBSCRIBERS LONG LINE REPAIRS (FOR FOREIGN EXCHANGE SERVICES WITH N.I.R. SWITCHING)</p>
						<p style="text-align: right;">329</p>