

SHT. No.	SIZE	SUB-TITLE	ISSUE				
			A	B	C	D	E
1	A2	ADAPTER RELAY SET FIG.1 (FOR NZPO MANUFACTURE)	A	B	C	D	E
2	A3	RCCL FIGS. 1 & 2	A	B	C	D	
3	A4	DELAY TIMER FIG.2	A	B	C		
4	A4	SCA FIGS.1 & 3	A	B	C	D	
5	A2	ADAPTER RELAY SET FIG. 3	A	B	C	D	E
6	A3	RCCL FIGS. 2 & 3	A	B	C	D	
7	A4	2.5 dB PAD. FIG.4	A	B	C		
8	A4	MODIFICATION FOR L.M. ERICSSON ROTARY EXCHANGES FIG.5	A				
9							
10							
11							
12							
13							
14							
15							
16							
17							
18							
19							
20							
21							
22							
23							
24							
25							
26							
27							
28							
29							
30							

NOTES

DEL	CKD	APD	ORDER	DATE	ISS	CHANGE
JMT	WBW	GFE	47324	20.11.72	A	
APS	HBB	TJW	99760	3.9.73	B	SHTS.1,2,4-6 AMD. SHT 7 A.D.
J.V.	HBB	GFE	122741	17.7.74	C	ALL SHTS. AMD.
P.E.	HBB	MPD	122355	4.11.74	D	SHTS 3-6 AMD.
R.K.	HBB	JGW	00179	16.10.75	E	SHT. 8 ADDED. SHTS 1,2,5 & 7 AMD.
N.J.G.	BWI	PNM	176453	30.11.81	F	SHT.1 A MD.

N Z P O ENGINEER-IN-CHIEF WELLINGTON

B/W TERMINATION FOR FOREIGN EXCH. SERVICE
OR NZPO PABX INTERSWITCHBOARD LINE

0.0 B OR V.F.T. SIGNALLING

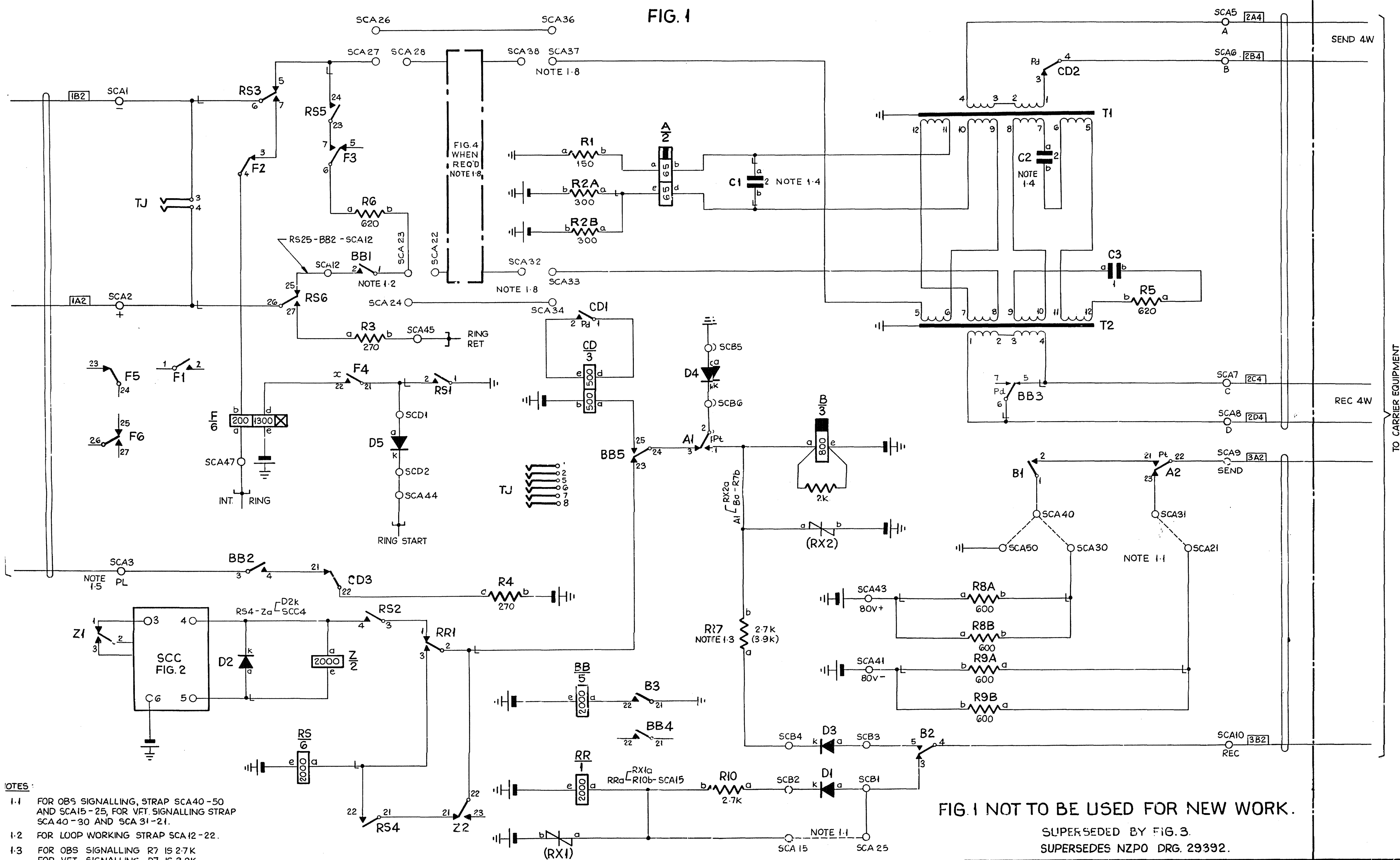
(INDEX SHEET)

COY. No: _____

IND | 00551

STER TRACING 33500

FIG. 1



- NOTES:
- 1.1 FOR OBS SIGNALLING, STRAP SCA40-50 AND SCA15-25, FOR VFT. SIGNALLING STRAP SCA40-30 AND SCA31-21.
 - 1.2 FOR LOOP WORKING STRAP SCA12-22.
 - 1.3 FOR OBS SIGNALLING R7 IS 2.7K FOR VFT SIGNALLING R7 IS 3.9K
 - 1.4 C1 & C2 TO BE MATCHED PAIR.
 - 1.5 PROVIDE PL LEAD ONLY WHEN N.I.R. SPECIFIED.
 - 1.6 UNLESS OTHERWISE SPECIFIED ALL WIRING TO BE 0.5mm
 - 1.7 FUSING 1.5 A PER CCT.
 - 1.8 WHEN SUBSCRIBERS LINE REPRESENTS A LOSS OF 3dB OR MORE STRAP SCA 26-27, 36-37, 23-24 & 33-34. WHEN SUBS LINE LESS THAN 3dB STRAP SCA 22-23, 32-33, 27-28, 27-23 AND INCLUDE FIG. 4

BATT. V. FUSE 0.7mm. 3B2 SCA48 - Fe SCC2
 ETH R. ETH. BAR 0.7mm 3A2 SCA50 - RS1 - R1a - B21 - SCB35 - T2 - T1

LINE LIMIT 1240 OHMS.

FIG. 1 NOT TO BE USED FOR NEW WORK.
 SUPERSEDED BY FIG. 3.
 SUPERSEDES NZPO DRG. 29392.

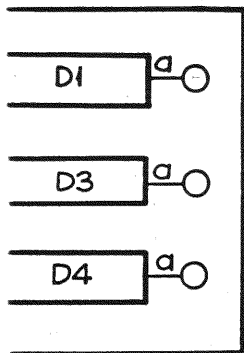
B/W TERMINATION FOR FOREIGN EXCH. SERVICE OR NZPO PABX INTERSWITCHBOARD LINE				U.O.B OR V.F.T. SIGNALLING	
DEL	CHKD	APD	ORDER	DATE	ISS
				27/2/77	22/2/77
				CHANGE	
				NZPO	
				ENGINEER-IN-CHIEF, WELLINGTON	
				COY. N ^o :	
				ORIGIN: T-EQPT	
				SHT: 1	
				DRAWN: T-EQPT	
				TRACED: JMT	
				A2	
				32551	

COMPONENTS LIST

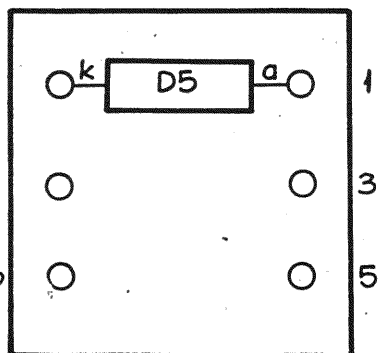
COY. CODE	NOTES	STOCK LIST N ^o	MISC. COMPONENTS	NOTES	STOCK LIST N ^o
A 2272	TRANSFORMER 600 ^Ω : 1200 ^Ω	CA12	MTG. PLATE	BPO F151/20 BH	LH661G
	150	KB 140	POSTS	2½"	KB9A
	300	KB 226	POSTS	3½"	KB9B
	270	KB 213	TERM. STRIP	121	LH205
	620	KB 296A	BRACKET	121A	LH138
	2.7K (NOTE 1.3)	KB 384C	TERM. STRIP	} 1/DST/844(SCB-D)	LH814
	3.9K (NOTE 1.3)	KB 393	SCREWS		LH610
	600	KB 291B	INS. PLATE		LE811
	RADIO TYPE 150K ¼ W	ER 859A	TEST JACK	N ^o 214	LC147B
	RADIO TYPE 680 ¼ W	ER 854	CLIP CAP		KC404
	RADIO TYPE 820 ¼ W	ER 854 B			
	RESISTOR NON LINEAR	K 99G			
1 3568 2 EQUIV.	TRANSISTOR FIG. 2.	CC805			
1 4003 2 EQUIV	DIODE	K905			
	2 μF MATCHED PAIR	KC311			
	1 μF	KC250			
	RADIO TYPE 160 μF. MIN. 25 VW. FIG 2				
	39 ^Ω CARBON FILM 1W ± 5%	ER408			
	1.1K METAL OXIDE ¼ W ± 1%	ER854E			
	2 μF	KC330			

I

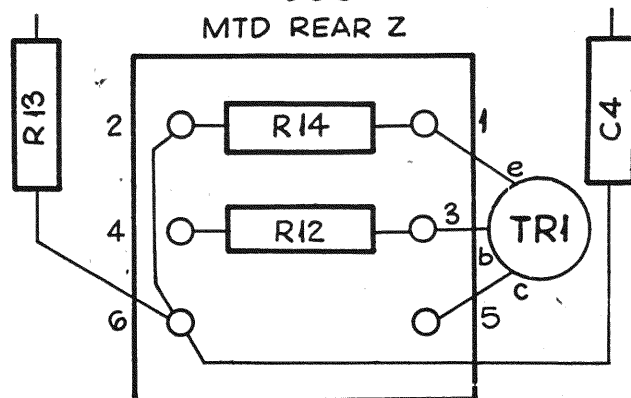
SCB
D. REAR B



SCD
MTD. REAR R5



SCC
MTD REAR Z



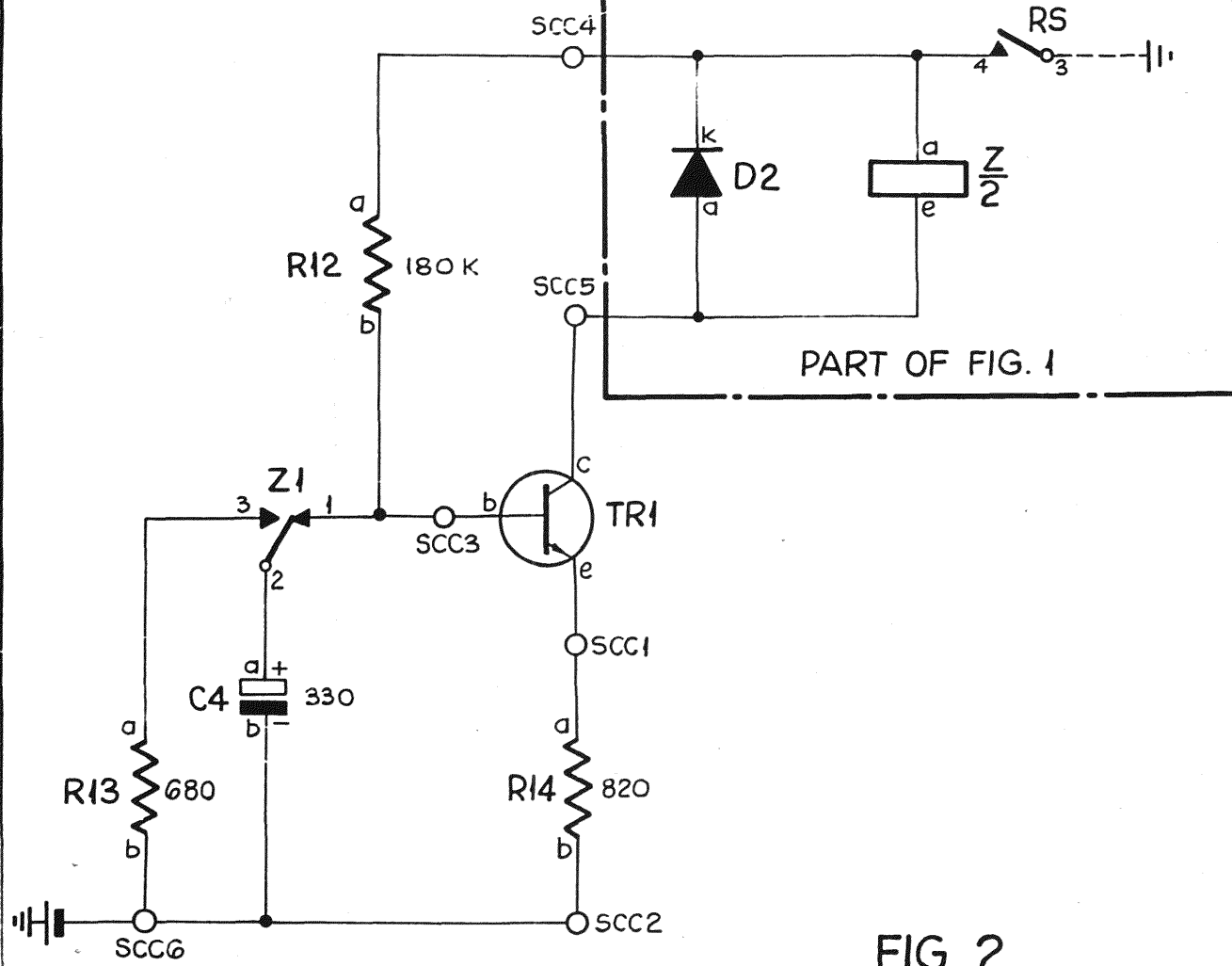
ENGR'S RECORD

NOT TO BE USED FOR NEW WORK. SUPERSEDED BY FIG. 3.

DEL	CKD	APD	ORDER	DATE	ISS	CHANGE	N. Z. P.O. ENGINEER-IN-CHIEF WELLINGTON		
			47224	20.11.72	A		COY. N ^o :	ORIGIN: T-EQPT.	
				3.9.73	B	COMPONENTS FOR FIG. 4 ADDED	SHT: 2	DRAWN: T-EQPT.	TRACED: JMT
				17.7.74	C	MINOR CORRECTIONS IN NOTES. SUPERSESSION NOTE ADDED. R12 WAS 470K & C4 - 160 μF.			
				16.10.75	D	RELAY OL. Nos. DELETED. NOTES AMD.			

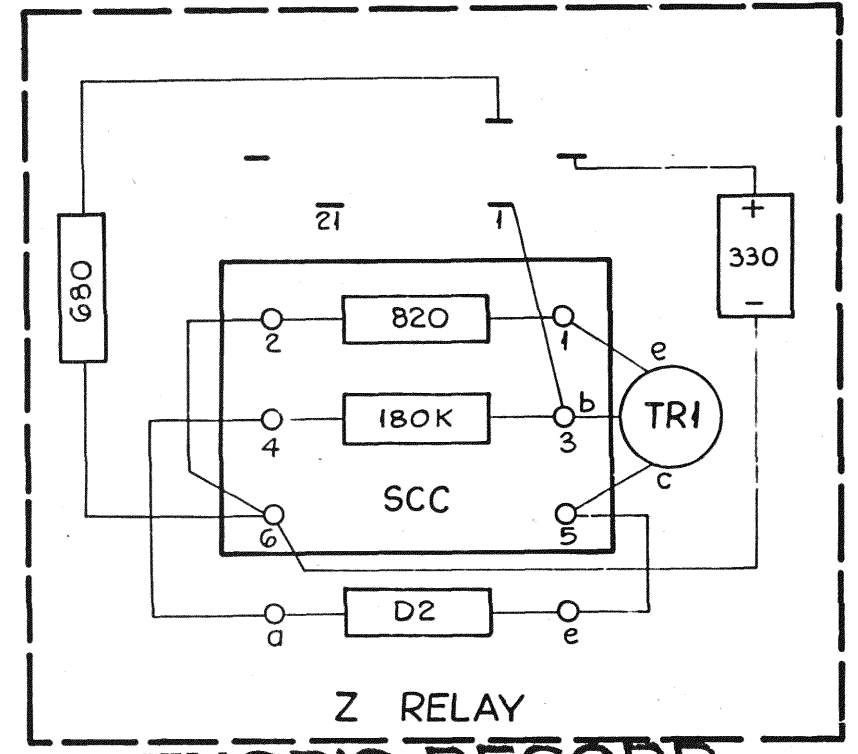
22551

EXPLANATORY ONLY



PART OF FIG. 1

FIG. 2



Z RELAY
ENGR'S RECORD

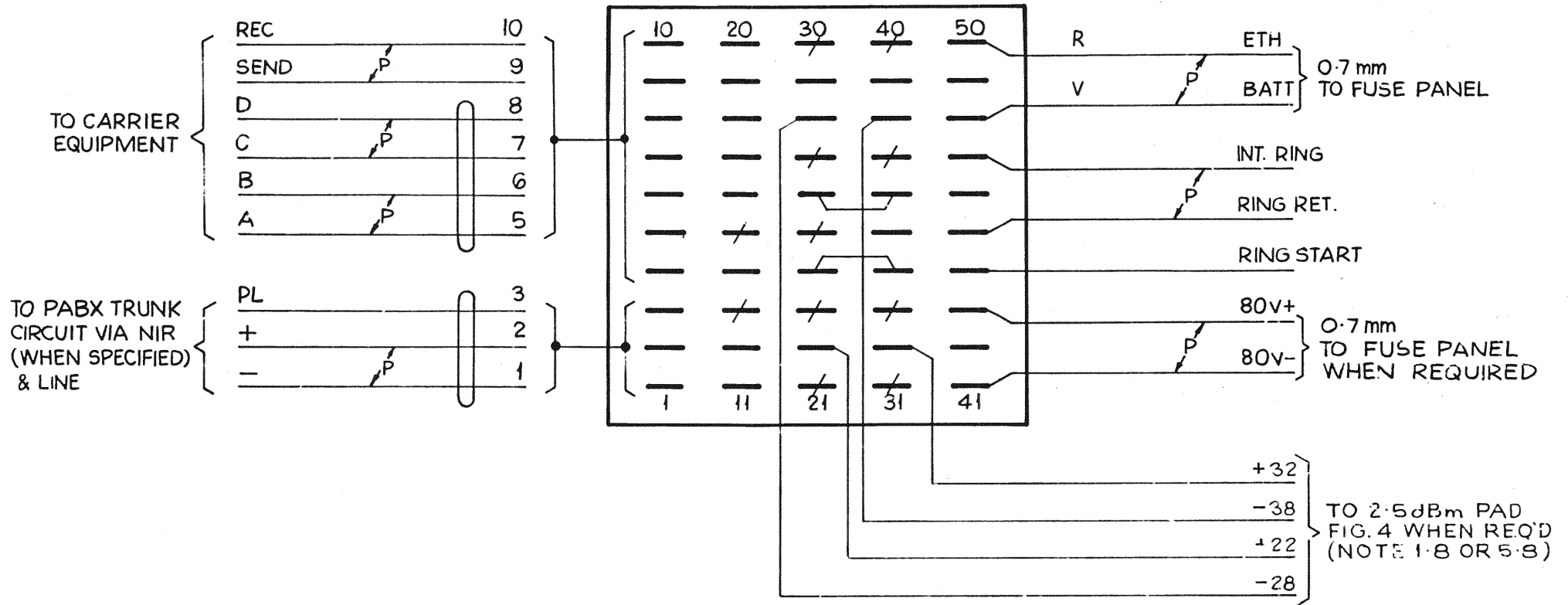
B/W TERMINATION FOR FOREIGN EXCH. SERVICE
OR NZPO PABX INTERSWITCHBOARD LINE
O.O.B. OR V.F.T.

DEL	CKD	APD	ORDER	DATE	ISS
JMT			47324	20.11.72	A
				9.9.74	B
				4.11.74	C

CHANGE
R12 WAS 470K & C4 - 50 μF.
R12 WAS 150K & C4 WAS 100 μF.

NZPO		
ENGINEER-IN-CHIEF, WELLINGTON		
COY NO	ORIGIN T-EQ	
SHT: 3	DRAWN T-EQPT	TRACED JMT

SCA



NOTATIONS :-
 / TERMINAL WIRED.

ENGR'S RECORD

B/W TERMINATION FOR FOREIGN EXCH. SERVICE
 OR NZPO PABX INTERSWITCHBOARD LINE

O.O.B. OR V.F.T.
 SIGNALING

DEL	CKD	APD	ORDER	DATE	ISS	CHANGE
			47224	20.11.72	A	
				3.9.73	B	LEADS TO FIG. 4 ADDED
				17.7.74	C	-28 & -38 WERE -20 & -30. OTHER TERMINALS RE-ARRANGED &/OR ALLOCATED.
				4.11.74	D	MINOR AMENDMENT.

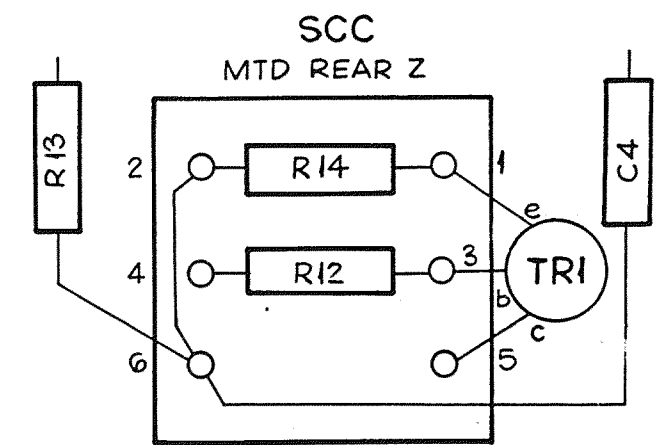
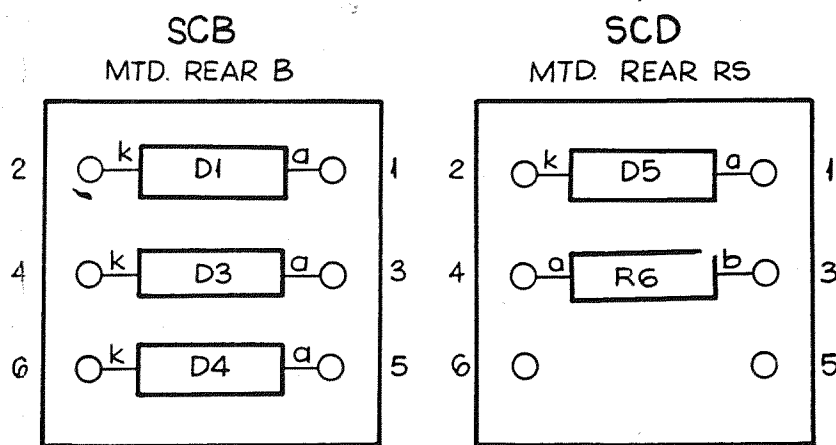
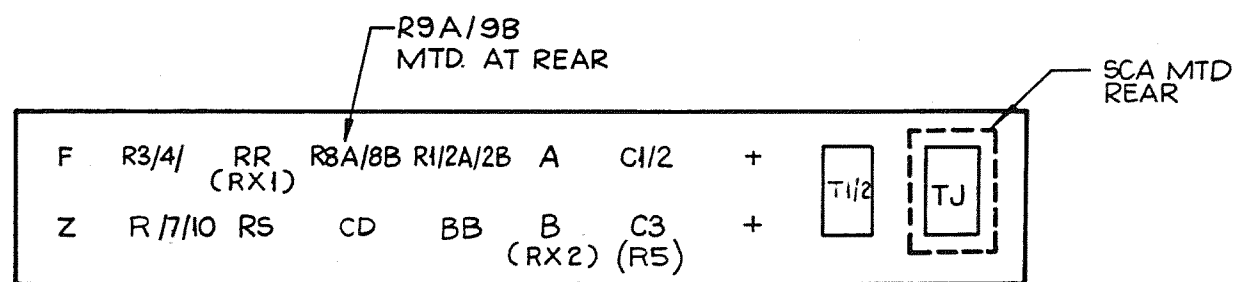
N Z P O		
ENGINEER-IN-CHIEF, WELLINGTO		
SHY	ORIGIN T-E	
SHY: 4	DRAWN T-EQPT	TRACED JI

RELAY CODES AND COMPONENTS LIST

RELAY NAME	B.C.C. CODE	N.Z.P.O. CODE	B.P.O. CODE	COY. CODE	NOTES	COMPONENT DESIGNATION	B.P.O. CODE	COY. CODE	NOTES	STOCK LIST NO.	MISC. COMPONENTS	NOTES	STOCK LIST NO.
A	HSD 710				FIG. 3	T1/T2			HYBRID TRP 149 600-900Ω	CA 16	MTG. PLATE	BPO F151/20 BH	LH66
B	B4807				FIG. 3	R1	9		150	KB 140	POSTS	2½"	KB9
CD	B6449P				FIG. 3	R2A/R2B	9		300	KB 226	POSTS	3½"	KB9
RR	B2017			R303A2-Z	FIG. 3	R3-4	9		270	KB 213	TERM. STRIP	121	LH20
RS	B1114	50177AA			FIG. 3	R5-6			910	ER854C	BRACKET	121A	LH13
F	B78613 Pd		16667		FIG. 3	R7 & 10	12		2.7K	KB 384C	TERM. STRIP		LH81
Z	B21293	50004BB			FIG. 3	R7	12		3.9K (NOTE 5.1)	KB 393	SCREWS	1/DST/844(SCB-D)	LHGIC
BB	20191P			R1202AG-A	FIG. 3	R8A/B-9A/B	9		600 (NOTE 5.1)	KB 291B	INS. PLATE	FIG. 4 (SCE-F)	LE 81
						R12			RADIO TYPE 180K ¼W	ER 859C	TEST JACK	Nº 21H	LC147
						R13			RADIO TYPE 680 ¼W	ER 854	CLIP CAP		KG4C
						R14			RADIO TYPE 820 ¼W	ER 854 B			
						RX1-2			RESISTOR NON LINEAR	K996			
						TR1		2N 3568 OR EQUIV.	TRANSISTOR FIG. 2.	CC805			
						DI-5		1N 4003 OR EQUIV.	DIODE	K905			
						CI-2	102C		2µF MATCHED PAIR	KC311			
						C3	101		1µF	KC250			
						C4		PHILIPS 017-15331	RADIO TYPE 330µF MIN. 16VW.F162	EF300			
						R15 A-B-C-D			39Ω CARBON FILM 1W±5%	ER40B			
						R16 A-B			1.1K METAL OXIDE ¼W±1%	ER854E			
						C5	8007		2µF	KC 330			

NOTES
 A - SPECIAL FACTORS OF SAFETY B - SPECIAL ADJUST. C - CCT POINTS OR MODS.

LAYOUT



ENGR'S RECORD

B/W TERMINATION FOR FOREIGN EXCH. SERVICE
 OR NZPO PABX INTERSWITCHBOARD LINE
 O.O.B. OR V.F.T. SIGNALLING
 RCCL (FIG. 3)

DEL	CKD	APD	ORDER	DATE	ISS	CHANGE	N.Z.P.O.
JMN			47524	20.11.72	A		ENGINEER-IN-CHIEF WELLINGTON
				3.9.73	B	COMPONENTS FOR FIG. 4 ADDED	COY NO: _____
				17.7.74	C	RELAY B WAS B20684 & T1/T2 WAS CA 12 RELAY S/L N°5 DELETED. R12 WAS 470K & C4 WAS 50µF.	ORIGIN: T-EQ
				4.11.74	D	R12 WAS 150K & C4 WAS 160µF. R5 & 6 WERE 620 N° 9.	SHT. 6 DRAWN T-EQPT TRACED: JMN

32551

MASTER TRACING 28433

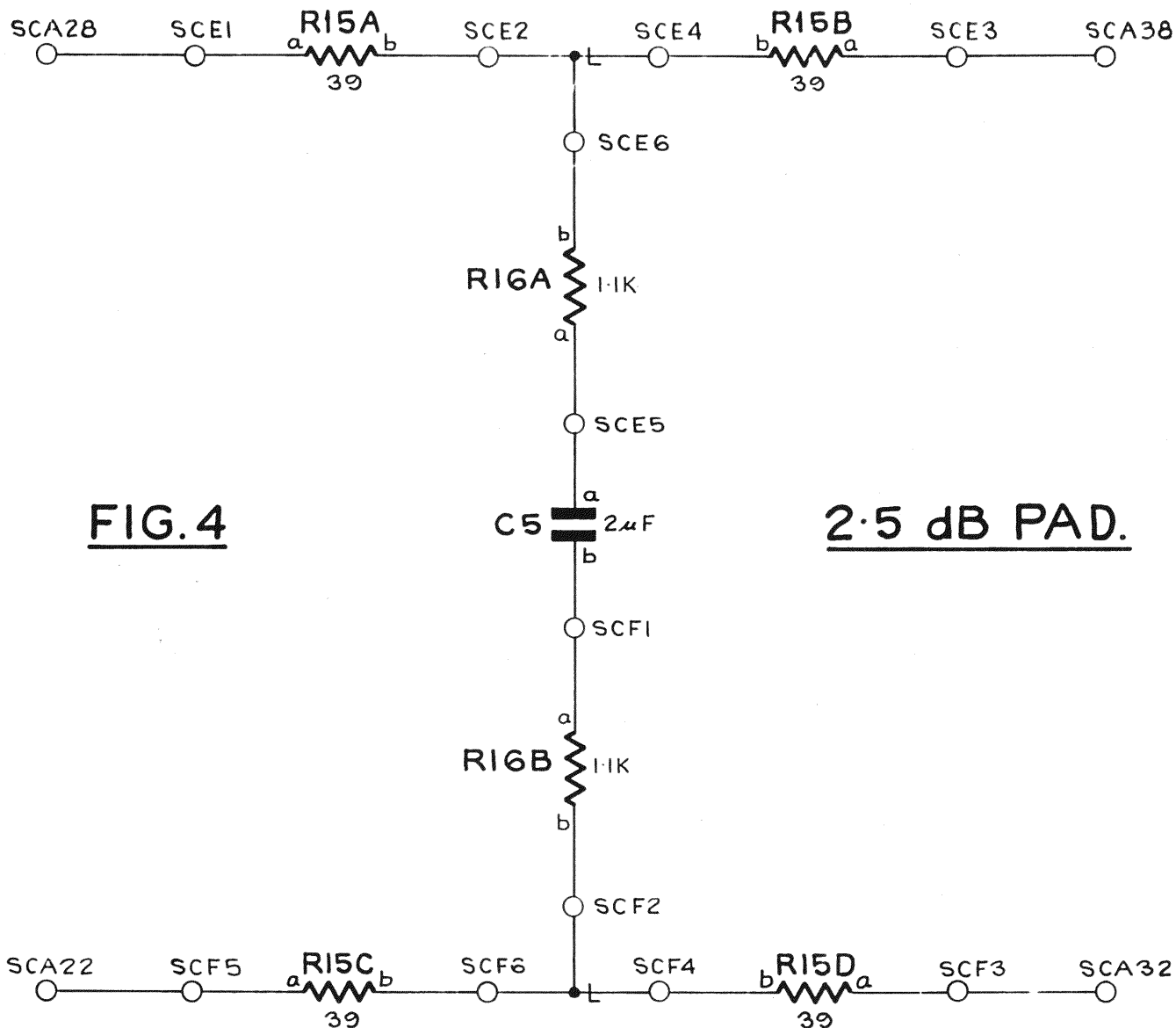
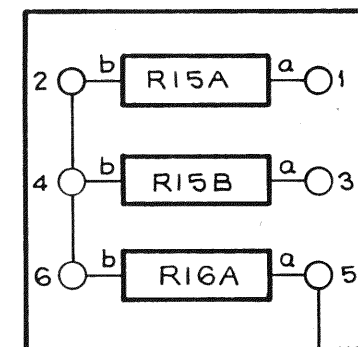
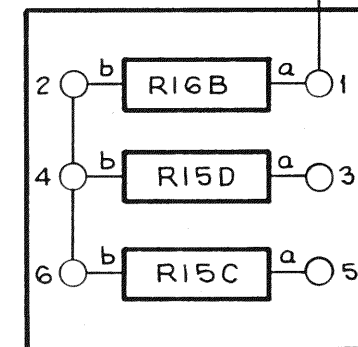


FIG. 4

2.5 dB PAD.



SCE
MOUNTED
REAR OF
RELAY BB



SCF
MOUNTED
REAR OF
RELAY CD

NOTE

7.1 SCE WAS MOUNTED REAR OF RELAY CD AND SCF REAR OF RELAY BB PRIOR TO ISSUE C.

ENGR'S RECORD

B/W TERMINATION FOR FOREIGN EXCH. SERVICE
OR NZPO PABX INTERSWITCHBOARD LINE
O.O.B. OR V.F.T.
SIGNALLING

DATE	ISS	CHANGE
3-9-73	A	
17-7-74	B	SCA 28 & 38 WERE 20 & 30.
16-10-75	C	NOTE 7.1 ADDED

NZPO	
ENGINEER-IN-CHIEF, WELLINGTON	
COY NO	ORIGIN: T-E
SHT. 7	DRAWN: T-EQPT TRACED A.
32551	

