

SHT. No	SIZE	SUB-TITLE	ISSUE
1	S	FIG.1 .2W. 24V. SCHEMATIC	D
2	F	FIG.1 RELAY CODES AND COMPONENTS LIST	D
3	A2	FIG.2. 4W. 24V. SCHEMATIC	A
4	A2	FIG.3 4W. 50V. SCHEMATIC	A
5	A4	FIG.2 & 3 SCA . (CROSS CONNECTIONS)	A
6	A3	FIG.2 RELAY CODES AND COMPONENTS LIST 24V	A
7	A3	FIG.3 RELAY CODES AND COMPONENTS LIST 50V	A
8			
9			
10			
11			
12			
13			
14			
15			
16			
17			
18			
19			
20			
21			
22			
23			
24			
25			
26			
27			
28			
29			
30			

NOTES

FIG. 1 NOT TO BE USED FOR NEW WORK

24V
50V

MASTER TRACING 33800

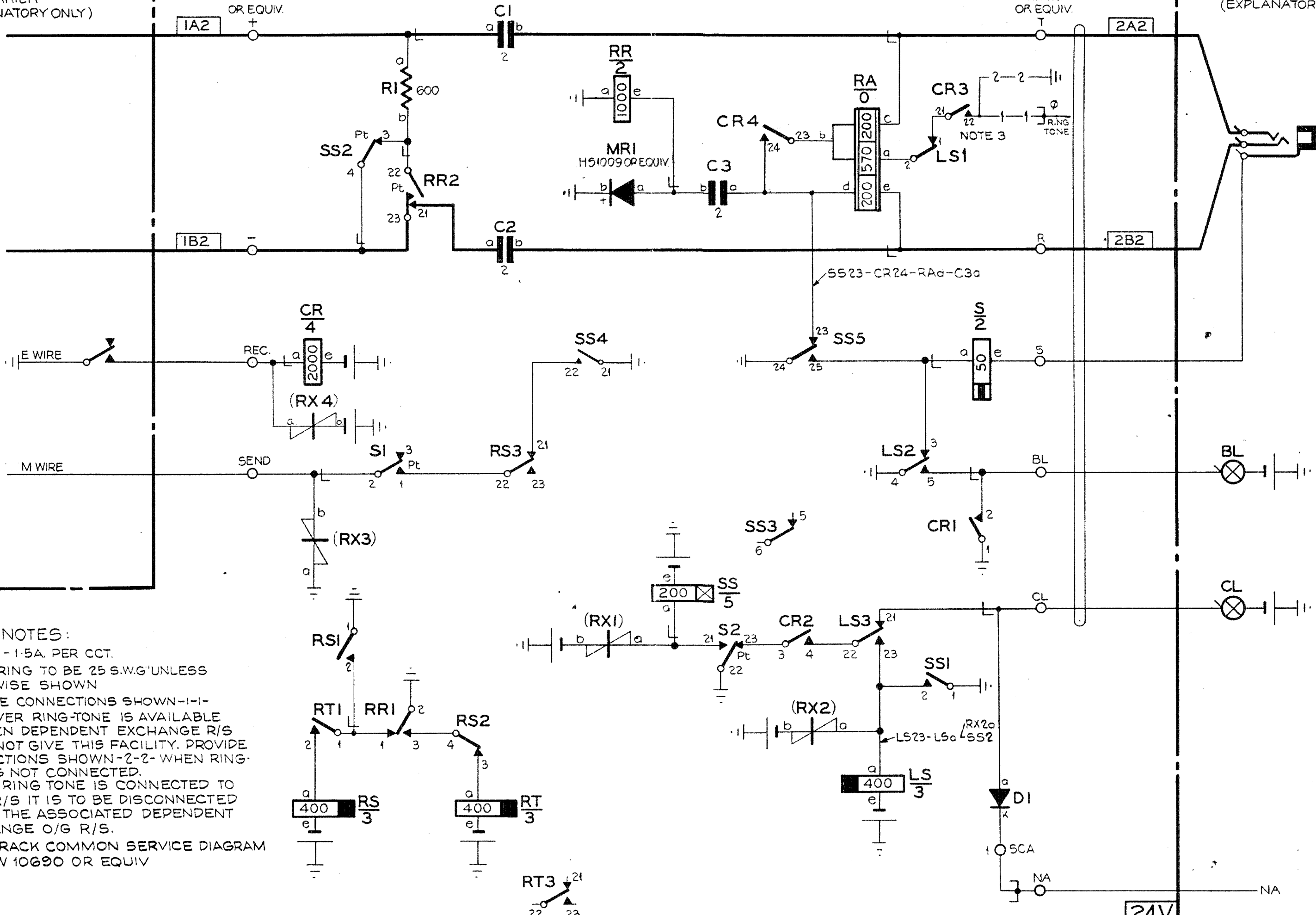
DEL	CKD	APD	ORDER	DATE	ISS	CHANGE	N. Z. P. O. ENGINEER-IN-CHIEF WELLINGTON
PAW	KG	CJW	8026	4-3-71	A		BOTHWAY TERMINATION RAX OR UAX LIMITED FACILITY JUNCTION SLEEVE DIALLING CB BMSB OUT OF BAND CARRIER SYSTEM (INDEX SHEET)
						COY. No:	IND. 32548
						ORIGIN: T-EQPT.	
						DWN: T-EQPT. TCD: PAW.	
						A4	

OUT OF BAND CARRIER (EXPLANATORY ONLY)

FIG. 1

TERMS ON M.A.R. OR EQUIV.

C.B. B.M.S.B. (EXPLANATORY ONLY)



NOTES:

1. FUSING - 1.5A. PER CCT.
2. ALL WIRING TO BE 25 S.W.G. UNLESS OTHERWISE SHOWN
3. PROVIDE CONNECTIONS SHOWN - 1-1- WHENEVER RING-TONE IS AVAILABLE OR WHEN DEPENDENT EXCHANGE R/S DOES NOT GIVE THIS FACILITY. PROVIDE CONNECTIONS SHOWN - 2-2- WHEN RING-TONE IS NOT CONNECTED. WHEN RING TONE IS CONNECTED TO THIS R/S IT IS TO BE DISCONNECTED FROM THE ASSOCIATED DEPENDENT EXCHANGE O/G R/S.
4. SEE RACK COMMON SERVICE DIAGRAM G.B.W 10690 OR EQUIV

NOT TO BE USED FOR NEW WORK.

BATT. BK FUSE 22 S.W.G. **3B2** L5e
 ETH R ETH BAR 22 S.W.G. **3A2** L52
 BATT. W L5e - RX2b - R5e - RTe - CRe - SS5e - RX1b
 ETH R L52 - L54 - RRa - RR2 - RS1 - CR1 - SS21 - SS24 - SS1 - S22 - RX3a

F.U. TAUPO B.M.S.B.

ISS	DATE	CHKD	APPD	DEL	ORDER	CHANGE	NEW ZEALAND POST OFFICE, ENGINEER-IN-CHIEF, WELLINGTON.
A	21-6-65	N.T.E.	J.V.B.	GC	47327		BOTHWAY TERMINATION RAX OR UAX LIMITED FACILITY JUNCTION CB BMSB OUT OF BAND CARRIER FIG. 1 ORIGIN TEL. EQUIP. SECT. S 1 DRAWN TELE. SEC. TRACED G.C.
B	23-9-65	N.T.E.	J.V.B.	RY	78378	C3 DELETED. C4 1/2 MADE C3, 2 1/2 F. N.A. COMMON REPOSITIONED. RX4 ADDED.	
C	4-10-67	J.C.	C.J.M.	D.W.	61408	MINOR AMENDMENTS. NOTES 3 & 4 ADDED.	
D	4-3-71					FIG. 1 & RESTRICTION OF USE NOTE ADDED.	

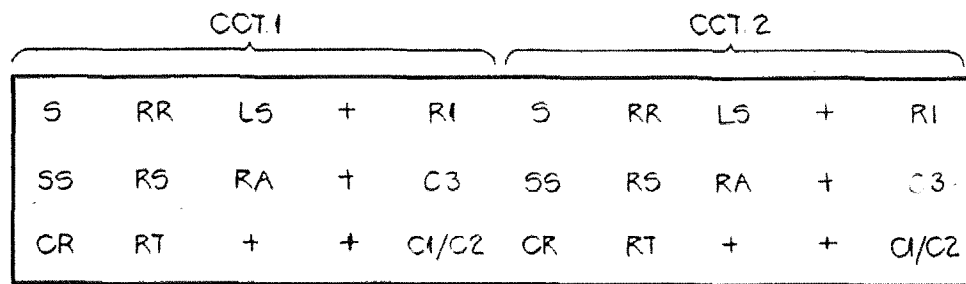
32548 A

B C D

NZPO RELAY CODES & COMPONENTS LIST.

RELAY NAME	NZPO CODE	COY CODE	B.C.C CODE	B.P.O CODE	NOTES	COMPONENT DESIGNATION	B.P.O CODE	COY CODE	NOTES
S			HSD510		B	C1,C2	99		
RA			B1524			C3	102		
CR			B4698			RX1	2		MTD. BEHIND SS REL.
LS	50402PD5					RX2	2		MTD. BEHIND LS REL.
RS	503085D7					RX3	2		MTD BEHIND S REL.
RT	503085D7					MR1		H51009 OR EQUIV.	MTD. BEHIND RR REL.
RR	50401AA					R1	9		
SS	50361MD4					RX4	2		MTD BEHIND CR REL.
						D1		H51009 OR EQUIV	MTD BETWEEN LS AND SCA
						SCA			TERMINAL STRIP MTD REAR OF LS RELAY
									RADIO TYPE 1MTG & 1INS TERMINAL

NOTES - A SPECIAL FACTORS OF SAFETY B SPECIAL ADJUSTMENTS C CCT POINTS OR MODIFICATIONS



MTG. PLATE G.E.C. C-2418 (2CCTS. PER PLATE.)

FRONT VIEW

NOT TO BE USED FOR NEW WORK

24V

ISS	DATE	CHKD	APPD	DEL	ORDER	CHANGE
A	26-65	NTE	GC	4732V		
B	23-9-65	N.T.E.	R.Y.	6836B		CAPACITORS CHANGED RX4 ADDED
C	4-10-66		DCW	81A0B		MINOR AMENDMENTS
D	4-3-71					RESTRICTION OF USE NOTE ADDED

NEW ZEALAND POST OFFICE, ENGINEER-IN-CHIEF, WELLINGTON.

BOTHWAY TERMINATION RAX OR UAX
LIMITED FACILITY JUNCTION CB BMSB
OUT OF BAND CARRIER.

RCCL FIG.1

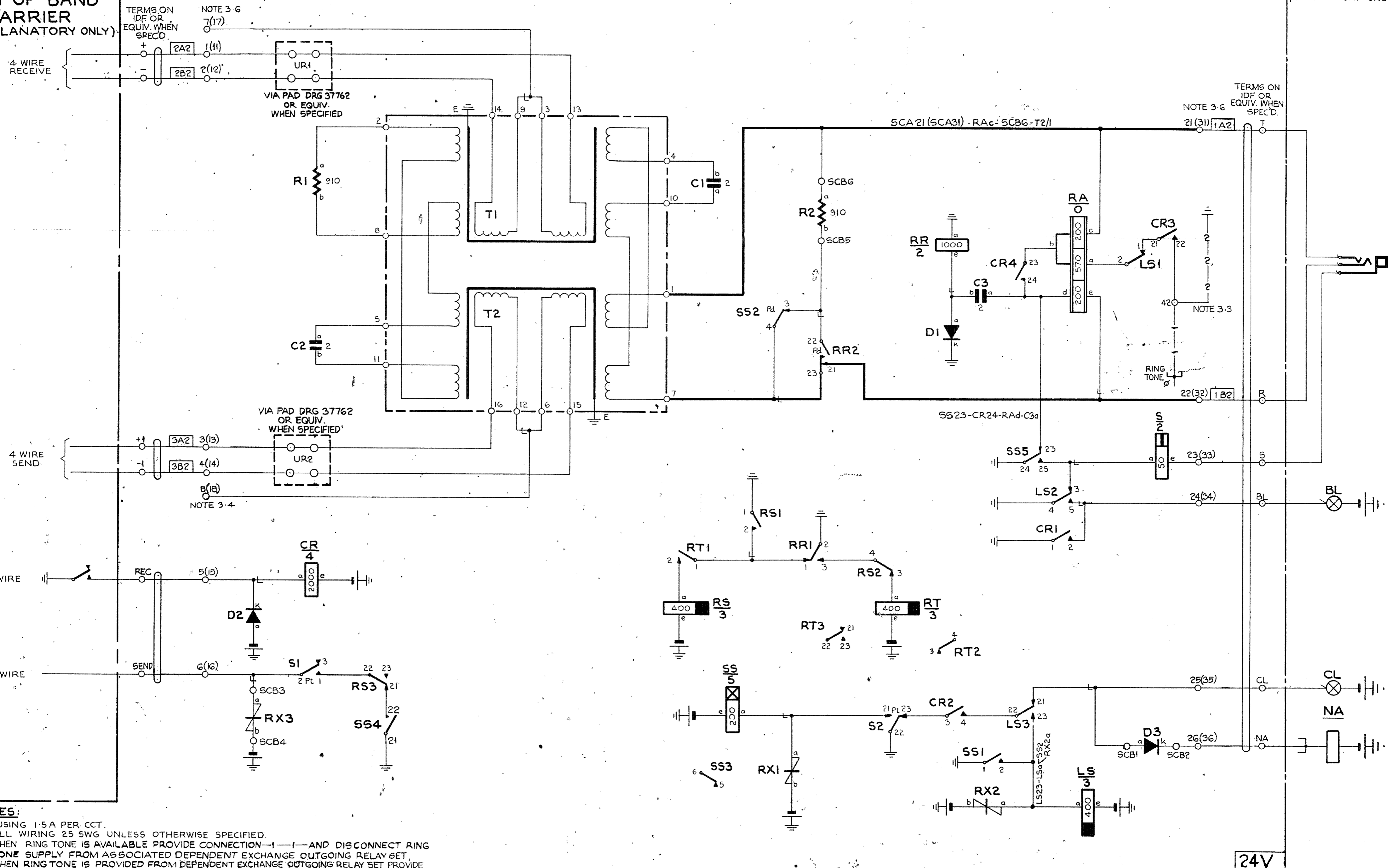
ORIGIN	TEL. EQPT. SECT.	SIZE	SHEET
		F	2
DRAWN	TEL. SEC. TRACED	GC.	

32548
A

OUT OF BAND CARRIER
(EXPLANATORY ONLY)

FIG. 2

CB BMSB
(EXPLANATORY ONLY)



- NOTES:**
- 3-1 FUSING 1.5A PER CCT.
 - 3-2 ALL WIRING 25 SWG UNLESS OTHERWISE SPECIFIED.
 - 3-3 WHEN RING TONE IS AVAILABLE PROVIDE CONNECTION—1—1—AND DISCONNECT RING TONE SUPPLY FROM ASSOCIATED DEPENDENT EXCHANGE OUTGOING RELAY SET, WHEN RING TONE IS PROVIDED FROM DEPENDENT EXCHANGE OUTGOING RELAY SET, PROVIDE CONNECTION—2—2—DELETE CONNECTION—1—1—
 - 3-4 WHEN SIMPLEX SIGNALLING OVER 4 WIRE CIRCUIT IS REQUIRED, STRAP SCA6(16) TO 8(18) & 5(15) TO 7(17) & OMIT 6(16) TO SEND AND 5(15) TO REC LEADS.
 - 3-5 SEE RACK COMMON SERVICE DIAGRAM GBW 10690 OR EQUIV.
 - 3-6 BRACKETED NUMERALS DENOTE 2ND CCT WHEN PROVIDED, UNLESS INDICATED ALL TERMINALS ARE ON STRIP CONNECTION AT REAR AND DESIGNATED SCA IN WIRING RUNS.

BATT. BK 22 SWG. FUSE 4B2 SCA48(44)-V-SS4-LS4-RT4-RS4-CR4-SCB4
 ETH. R. 22 SWG. ETH BAR 4A2 SCA50(46)-R(SCA42)-SS24-SS21-SS1-LS4-
 -RS1-RR1-RR2-CR1-SS2-T1/T2E
 D20
 RX1b-RX2b
 D1K

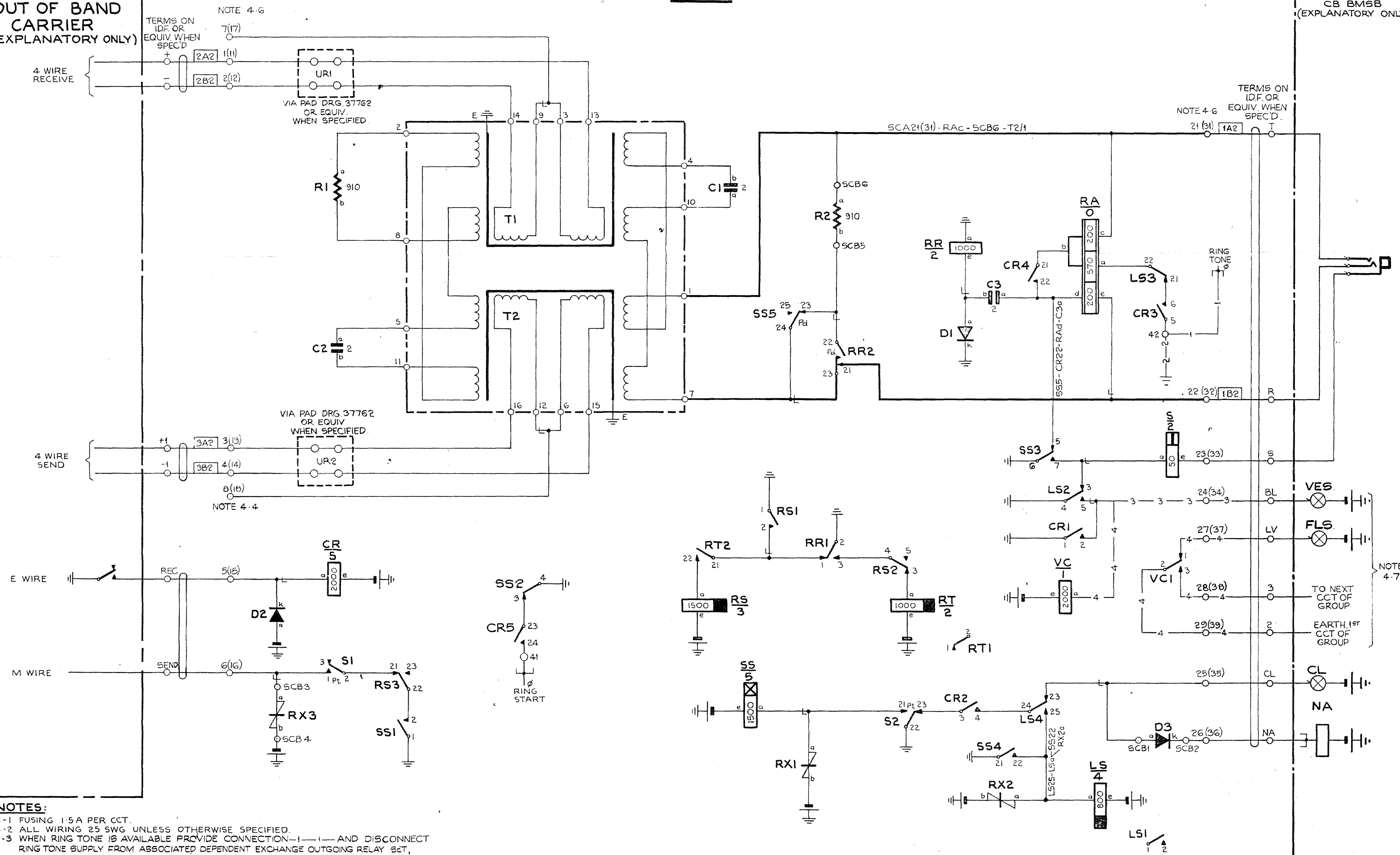
**BOTHWAY TERMINATION RAX OR UAX
LIMITED FACILITY JUNCTION CB BMSB
OUT OF BAND CARRIER
FIG. 2**

DATE	ISS	CHANGE	NZPO ENGINEER-IN-CHIEF WELLINGTON.
17.11.70	A		ORIGIN: TEQPT.
SHT. 3		DRAWN: TEQPT. TRACED: PAU	
A2		32548	

FIG. 3

OUT OF BAND CARRIER (EXPLANATORY ONLY)

CB BMSB (EXPLANATORY ONLY)



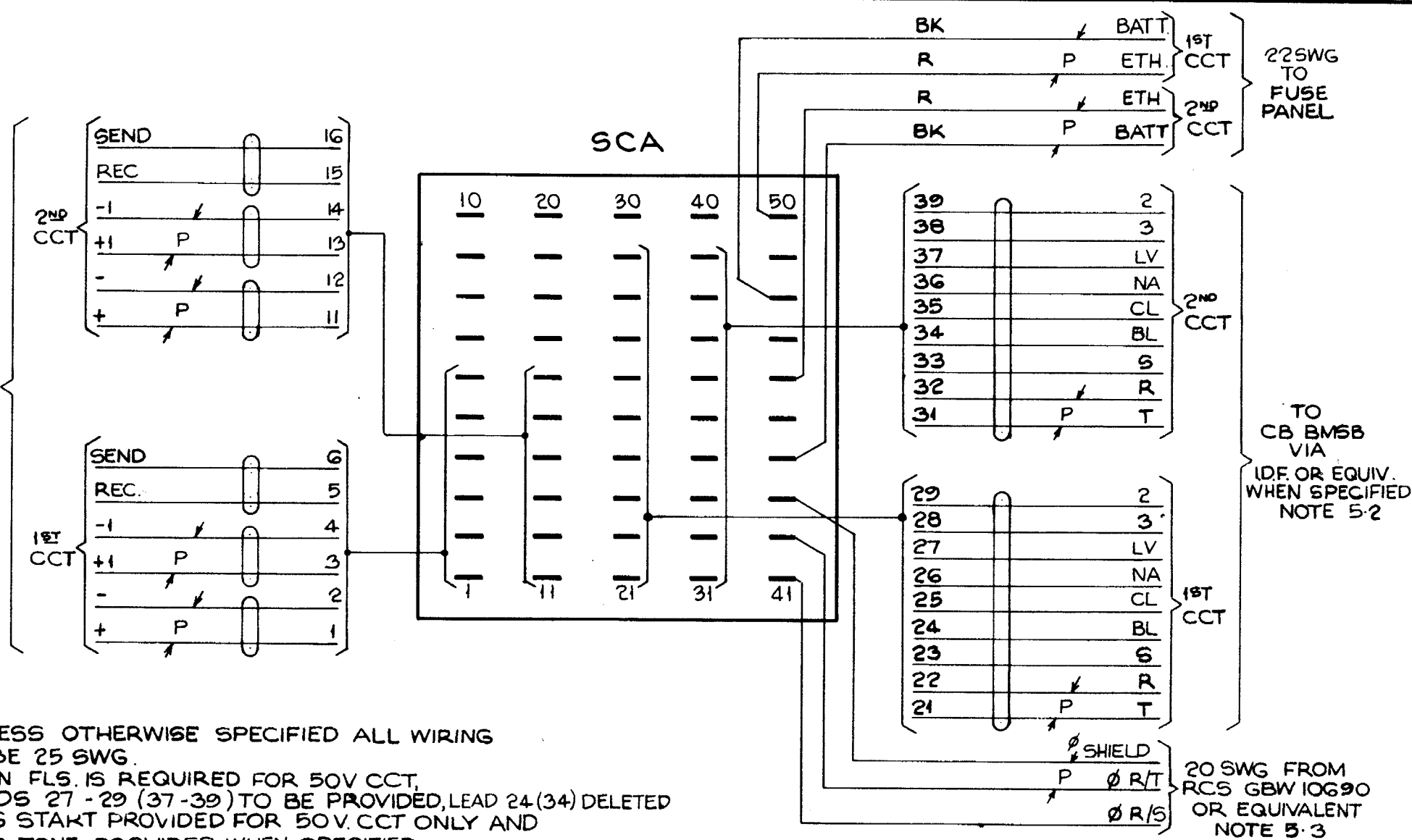
- NOTES:**
- 4-1 FUSING 1.5A PER CCT.
 - 4-2 ALL WIRING 25 SWG UNLESS OTHERWISE SPECIFIED.
 - 4-3 WHEN RING TONE IS AVAILABLE PROVIDE CONNECTION—1—1— AND DISCONNECT RING TONE SUPPLY FROM ASSOCIATED DEPENDENT EXCHANGE OUTGOING RELAY SET, WHEN RING TONE IS PROVIDED FROM DEPENDENT ASSOCIATED EXCHANGE OUTGOING RELAY SET, PROVIDE CONNECTION—2—2— DELETE CONNECTIONS—1—1—
 - 4-4 WHEN SIMPLEX SIGNALLING OVER 4 WIRE CIRCUIT IS REQUIRED STRAP SCA 6(16) TO 8(18) & 5(15) TO 7(17) & OMIT 6(16) SEND AND 5(15) REC LEADS
 - 4-5 SEE RACK COMMON SERVICE DIAGRAM GBW 10690 OR EQUIVALENT.
 - 4-6 BRACKETED NUMERALS DENOTE 2ND CCT. WHEN PROVIDED, UNLESS OTHERWISE INDICATED ALL TERMINALS ARE ON STRIP CONNECTION AT REAR AND DESIGNATED SCA IN WIRING RUNS.
 - 4-7 WHEN FLS REQUIRED DELETE VES CONNECTION—3—3— & PROVIDE RELAY VC & CONNECTIONS—4—4—

BATT BK 22SWG FUSE 4B2 SCA48(44) -V-(VCa)-SSa-L5a-RTa-R5c-CRa-SCB4
 ETH. R 22SWG ETH BAR 4A2 SCA50(46) -R-(SCA42) -SS21-SS1-SS4-SS6-LS4-
 R51-RRa-RR2-CR1-S22-T1/T2E
 DIK

BOTHWAY TERMINATION RAX OR UAX LIMITED FACILITY JUNCTION CB BMSB OUT OF BAND CARRIER FIG. 3

DATE	ISS	CHANGE	NZPO
17.11.70	A		ENGINEER-IN-CHIEF WELLINGTON.
			ORIGIN:TEQPT.
SHT. 4		DRAWN:TEQPT	TRACED: A.P.
A2		32548	

50V



TO OOB CARRIER VIA IDF. OR EQUIVALENT WHEN SPECIFIED

TO CB BMSB VIA IDF. OR EQUIV. WHEN SPECIFIED NOTE 5-2

- NOTES:
- 5-1 UNLESS OTHERWISE SPECIFIED ALL WIRING TO BE 25 SWG.
 - 5-2 WHEN FLS. IS REQUIRED FOR 50V CCT, LEADS 27 - 29 (37 - 39) TO BE PROVIDED, LEAD 24 (34) DELETED
 - 5-3 RING STAKT PROVIDED FOR 50V. CCT ONLY AND RING TONE PROVIDED WHEN SPECIFIED. (REFERENCE: NOTES 3-3 & 4-3)

24V/50V

BOTHWAY TERMINATION RAX OR UAX LIMITED FACILITY JUNCTION CB.BMSB OUT OF BAND CARRIER CROSS CONNECTIONS FIG. 2 & 3 .

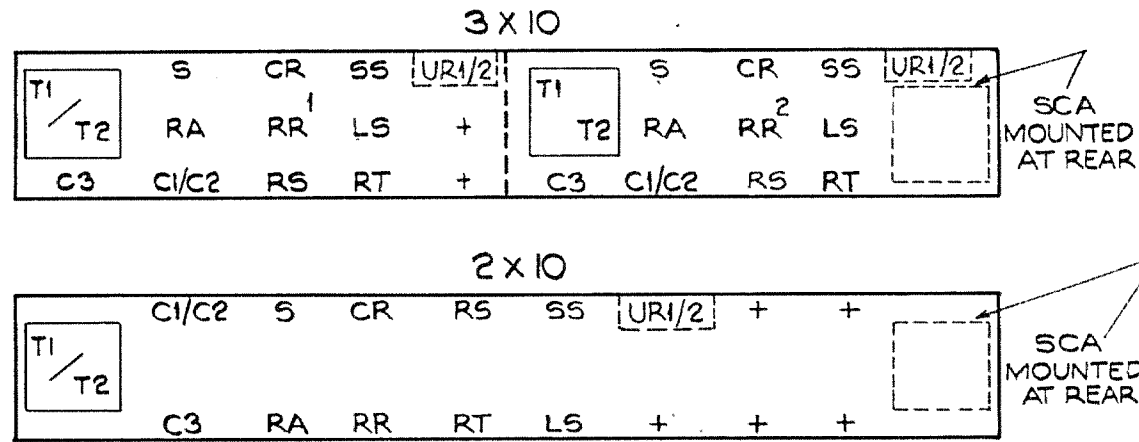
DATE	ISS	CHANGE
4-3-71	A	

N.Z.P.O. ENGINEER-IN-CHIEF, WELLINGTON	
COY. No:	ORIGIN: T.EQPT.
SHT. 5	DRAWN: T.EQPT. TRACED: PAW
A4	3254-8

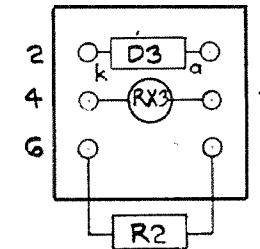
RELAY CODES AND COMPONENTS LIST

RELAY NAME	B.C.C. CODE	N.Z.P.O. CODE	B.P.O. CODE	COY. CODE	NOTES	S/L	COMPONENT DESIGNATION	B.P.O. CODE	COY. CODE	NOTES	S/L	MISC. COMPONENTS	NOTES	S/L	
CR	B4698					WS	R1-2		RADIO TYPE	910 ^A 1/4 W 1% NOTE 6.2	ER854C	MTG. PLATE	GEC C2418 27 3/4"	LH670	
LS		50402PD5				WS	C1-3	102C		24F	KC313	MTG. PLATE	F151/20 AH 27 3/4"	LH661	
RA	B1524				RETARD	K154	D1-3		IN4003	DIODE NOTE 6.1	K905	MTG. PLATE	F151/20 BH 30 1/2"	LH66U	
RR		50401AA				L73G	RX1-3	2		RESISTOR, NON LINEAR NOTE 6.1	K996	CAP CLIP	42	KC404	
RS		50308SD7				WS	T1/T2		DTC 96762 OR EQUIV.	HYBRID	CA15	TERM. STRIP	121 (SCA)	LH205	
RT		50308SD7				WS	URI/2			PAD NZ 37762 OR EQUIV. NOTE 6.3		MTG. BKT.	121A	LH138	
S	HSD 510				B	LD64E						TERM. STRIP	1/DST844 (SCB)	LH814	
SS		50572MD4				WS						SCREWS		LH610	
												INS. PLATE		LE811	
NOTES															
A - SPECIAL FACTORS OF SAFETY B - SPECIAL ADJUST. C - CCT. POINTS OR MODS.															

LAYOUT



SCB
MTD. AT REAR RA



NOTES:

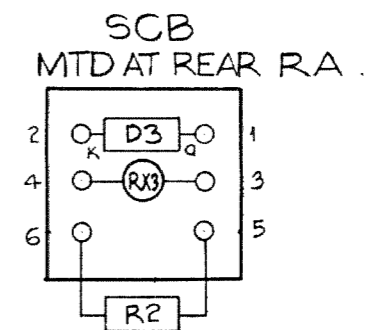
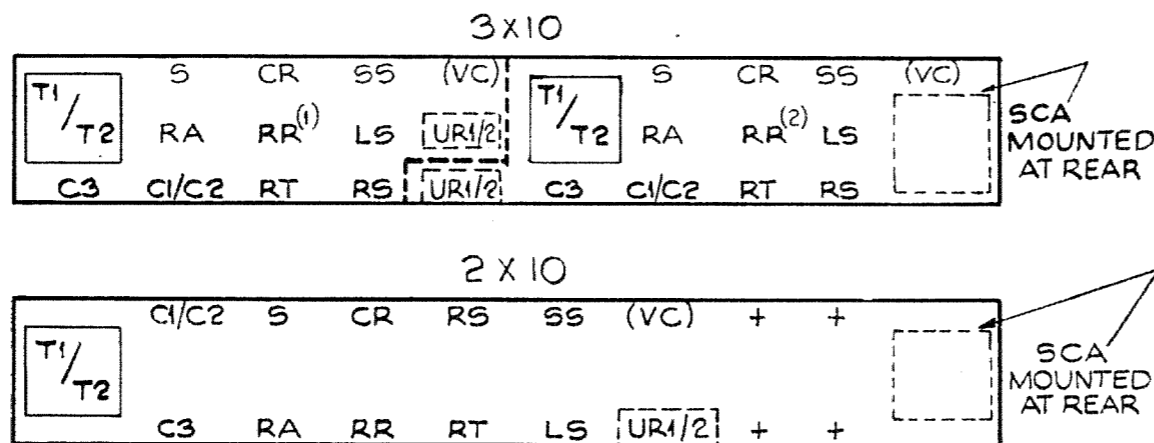
- 6.1 DIODES D1 & D2 MOUNTED AT REAR ON COIL TAGS, RELAYS RR & CR, RX1 & RX2 MOUNTED AT REAR ON COIL TAGS RELAYS SS & LS.
- 6.2 R1 MOUNTED COIL TAGS T1.
- 6.3 URI/2 PROVIDED ONLY WHERE SPECIFIED.

BOTHWAY TERMINATION RAX OR UAX LIMITED FACILITY JUNCTION CB BMSB OUT OF BAND CARRIER RCCL FIG. 2	DATE 4.3.71	ISS A	CHANGE	24V N. Z. P.O. ENGINEER-IN-CHIEF WELLINGTON COY. NO.: SHT 6 A3	ORIGIN: T-EQPT. TRACED: PAL 32548
---	----------------	----------	--------	---	---

RELAY CODES AND COMPONENTS LIST

RELAY NAME	B.C.C. CODE	N.Z.P.O. CODE	B.P.O. CODE	COY. CODE	NOTES	S/L	COMPONENT DESIGNATION	B.P.O. CODE	COY. CODE	NOTES	S/L	MISC. COMPONENTS	NOTES	S/L	
CR	B20553					WS	R1-2		RADIO TYPE	910 \sim 1/4 W 1% NOTE 7.3	ER 854C	MTG. PLATE	GEC C2418 27 3/4"	LH670	
LS		503545D6				WS						MTG. PLATE	F151/20AH 27 3/4"	LH661	
RA	B1524				RETARD	K154						MTG. PLATE	F151/20BH 30 1/2"	LH661J	
RR		50401AA				L73G	CI-3	102C		2 μ F	KC313	CAP. CLIP	42	KC404	
RS	B16342					WS	D1-3		IN4003	DIODE NOTE 7.2	K905	TERM STRIP	121 (SCA)	LH205	
RT	B5737					WS	RX1-3	2		RESISTOR, NON LINEAR NOTE 7.2	K996	MTG. BKT.	121A	LH138	
S	H5D510				B	LD64E	T1/T2		DTC 96762 OR EQUIV.	HYBRID	CA15	TERM STRIP	1/DST 844 (SCB)	LH814	
SS		50571KA				WS	URI/2			PAD NZ37762 OR EQUIV. NOTE 7.4		SCREWS		LH610	
VC	B2017				7.1	L97D						INS. PLATE		LE811	
NOTES															
A- SPECIAL FACTORS OF SAFETY B- SPECIAL ADJUST. C- CCT. POINTS OR MODS.															

LAYOUT



- NOTES:
- 7.1 RELAY VC PROVIDED ONLY WHEN SPECIFIED.
 - 7.2 DIODES D1 & D2 MOUNTED AT REAR OF COIL TAGS, RELAYS RR & CR, RX1 & RX2 MOUNTED AT REAR ON COIL TAGS RELAY SS & LS
 - 7.3 R1 MOUNTED COIL TAGS T1
 - 7.4 URI/2 PROVIDED ONLY WHERE SPECIFIED

**BOTHWAY TERMINATION RAX OR UAX
LIMITED FACILITY JUNCTION CB BMSB
OUT OF BAND CARRIER
RCCL FIG. 3**

DATE	199	CHANGE			
4-3-71	A				
			N.Z.P.O. ENGINEER-IN-CHIEF WELLINGTON		
COY. No:		ORIGIN: T-EQPT.			
SHT. 7		DRAWN: T-EQPT.		TRACED: PAW	
A3		32548			

50V