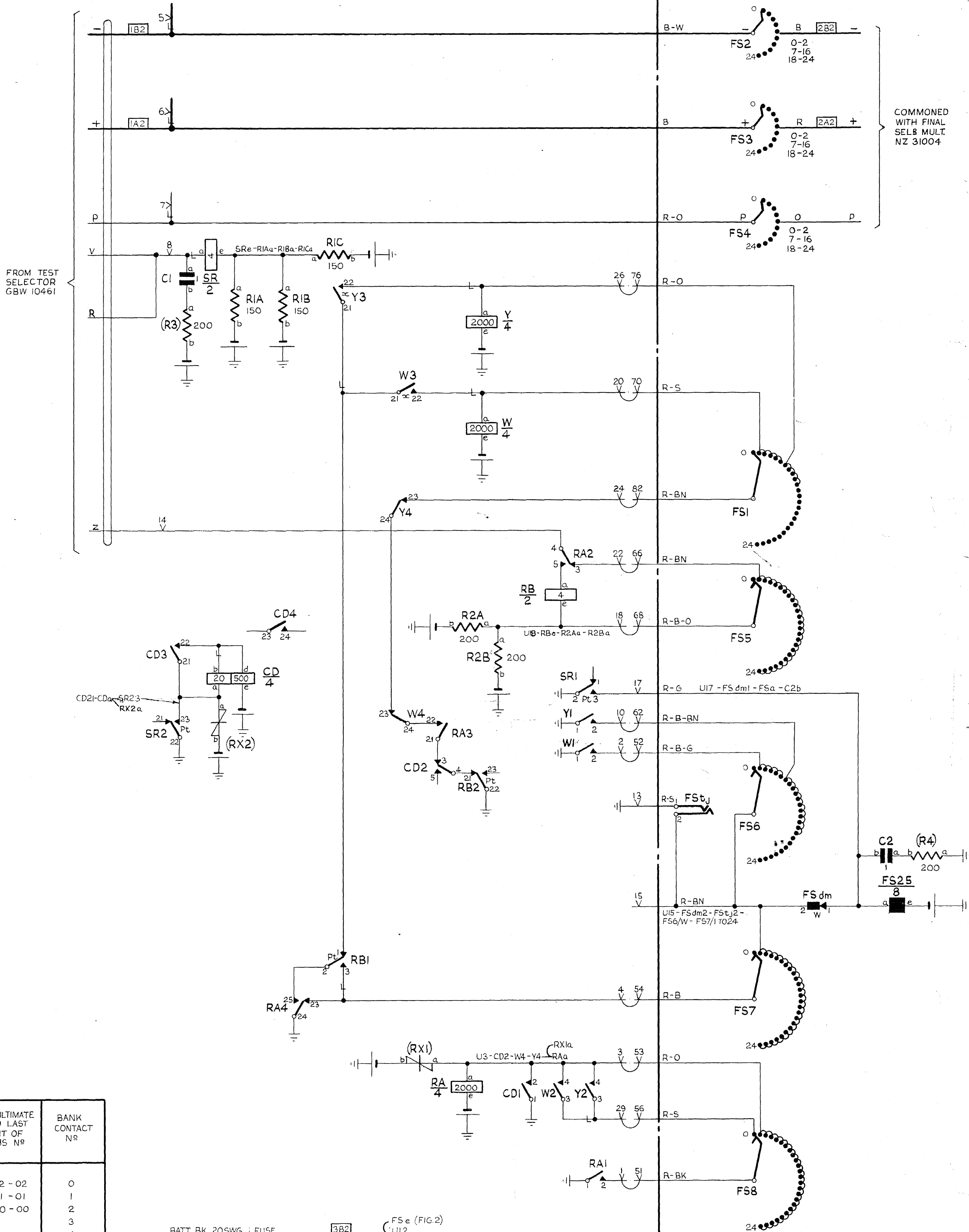


FIG. 1.

NOTE 1.4

FIG. 2.

NOTE 1.4



COMMONED WITH FINAL SELB MULT. NZ 31004

FROM TEST SELECTOR GBW 10461

50V

ENGR'S RECORD

BATT. BK. 20SWG : FUSE 3B2 FS e (FIG.2) UI2
 ETH. R. 20SWG : ETH. BAR 3A2 R4 a (FIG.2) UI1 UI3
 BATT. W : UI2 - CDe - We - Ye - R2Ab - R2Bb - R1Ab - R1Bb - RICb - R3b - RAe - RX2b - RX1b
 ETH. R : UI1 - CD1 - W1 - Y1 - RB22 - SR22 - SR2 - RA21 - RA1

- NOTES:
- 1.1 - FUSING 1.5A PER CCT
 - 1.2 - SHELF JACK U-POINTS SHOWN THUS ARE STRAPPED EXTERNALLY
 - 1.3 - ALL PLATE & BANK WIRING TO BE 25 SWG. BANK STRAPPING WHEN NOT INCLUDED IN RACK CABLE TO BE 23 SWG B.T.C. ON ADJACENT CONTACTS & 23 SWG B.T.C. WITH SLEEVING ON NON-ADJACENT CONTACTS. ALL OTHER WIRING TO BE 23 SWG UNLESS OTHERWISE STATED.
 - 1.4 - LAST (N^o8) POSITION IN M UNIT TO BE USED FOR TEST FINAL SELECTOR

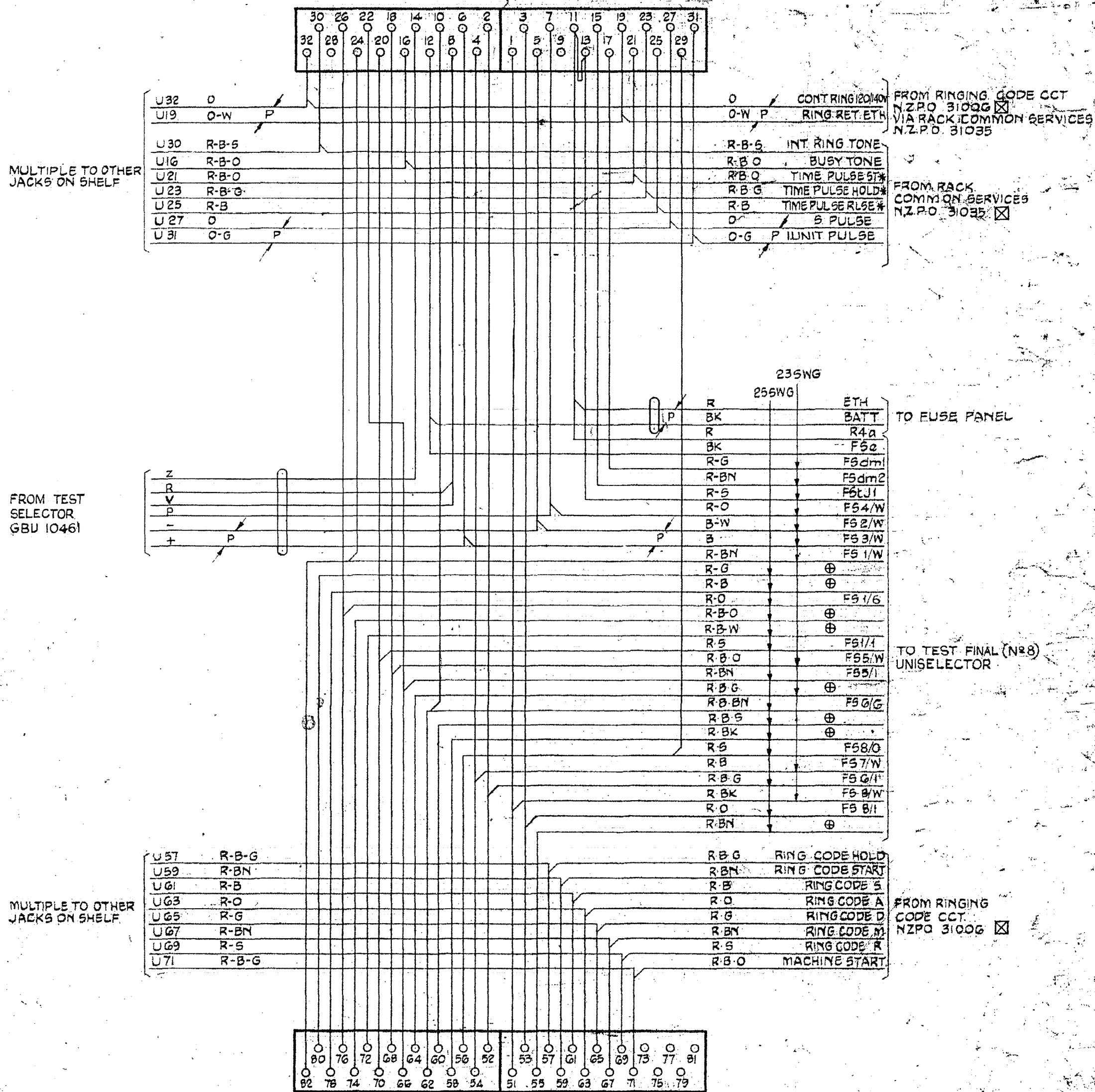
PENULTIMATE AND LAST DIGIT OF SUBS N ^o	BANK CONTACT N ^o
42 - 02	0
41 - 01	1
40 - 00	2
	3
	4
	5
	6
99 - 59	7
98 - 58	8
97 - 57	9
96 - 56	10
95 - 55	11
94 - 54	12
93 - 53	13
92 - 52	14
91 - 51	15
90 - 50	16
	17
49 - 09	18
48 - 08	19
47 - 07	20
46 - 06	21
45 - 05	22
44 - 04	23
43 - 03	24

ISS	DATE	CHKD	APPD	DEL	ORDER	CHANGE	NEW ZEALAND POST OFFICE ENGINEER - IN-CHIEF, WELLINGTON.
A	18.54	NYE	U2	U2	U2	NY CHANGE SHT 3 AMENDED	TEST FINAL SELECTOR FOR 5 PARTY LINES UAX. N.Z. 13.M. INSTALLED IN AMX, CAX, MAX. OR SAX.
B	22.69	NYE	U2	U2	U2	NY CHANGE SHT 3 AMENDED	
C	22.69	NYE	U2	U2	U2	NY CHANGE SHT 3 AMENDED	
D	34.69	NYE	U2	U2	U2	NY CHANGE SHT 3 AMENDED	

ORIGIN.	TEL. EQPT. SECT.	SIZE SHEET	31960	A
		M		
DRAWN	TEL. E. SECT. TRACED	F.J.W.	OF 3	

FIG. 1

AS SEEN FROM REAR



NOTES

- 2.1 ALL WIRE TO BE 20SWG UNLESS OTHERWISE SPECIFIED
- 2.2 THESE CIRCUITS ARE USED ON FINAL SELECTORS (NºS 1 TO 7) & ARE WIRED BUT NOT IN USE ON THE TEST FINAL SELECTOR (Nº8)
- 2.3 * THESE CIRCUITS ARE WIRED IN THE M UNIT BUT ARE NOT IN USE
- 2.4 ⊕ THESE WIRES ARE FORMED BUT ARE NOT IN USE.

ENGR'S RECORD

ISS	DATE	CHKD	APRD	DEL	ORDER	CHANGE	NEW ZEALAND POST OFFICE ENGINEER-IN-CHIEF WELLINGTON
A	11.8.54	NTE	WV	ETW	55953		
B	9.2.55	NTE	WV	GC	5427	NO CHANGE SHT. 3 AMENDED	
C	17.2.55	NTE	WV	GC	5425	NO CHANGE SHT. 1 AMENDED	
D	3.4.59	RF	WV	AP	93891	NO CHANGE SHT. 3 AMENDED	

TEST FINAL SELECTOR
FOR 5 PARTY LINES
UAX. NZ. 13M.
INSTALLED IN AMX, CAX,
MAX OR SAX.

ORIGIN	TEL. EQPT. SECT.	SIZE	SHEET	31960	A
REVISION	NZ 31004	5	3		
DATE	REL. SECT. TRACED				

NZ.P.O. RELAY CODES & COMPONENTS LIST

RELAY NAME	NZ.P.O. CODE	COY. CODE	B.C.C. CODE	B.P.O. CODE	NOTES	COMPONENT DESIGNATION	S.P.O. CODE	QTY	NOTES
CD			4829			RIA RIB RIC	9		150 ~ 150 ~ 150 ~
RA			5755			R2A R2B	9		200 ~ 200 ~
RB	50382AA					R3	6		200 ~
SR	5052IAH3								
W			2199			C1	101		
Y			2199			RX1 RX2	2		
						R4	6		FIG. 2. 200 ~
						C2	101		FIG. 2
						WIPER ASSEMBLY	2/824E		FIG. 2. NON STOCKED TO BE OBTAINED FROM WGTN. W/SHOPS ONLY.

NOTES - A SPECIAL FACTORS OF SAFETY B SPECIAL ADJUSTMENTS C CCT POINTS OR MODIFICATIONS

CD	RA
W	C1 & C2
Y	RIA RIB RIC
RB	R2A R2B
SR	

MOUNTING PLATE: B.P.O. No
RS2/3000/10.

ENGR'S RECORD

DATE	CHKD	APPD	DEL	ORDER	CHANGE	NEW ZEALAND POST OFFICE ENGINEER-IN-CHIEF WELLINGTON.				
A 11.8.64	NTE	SVB	FJW	65953		COMPONENTS LAYOUT FOR CIRCUIT TITLED:- TEST FINAL SELECTOR FOR 5 PARTY LINES U.A.X. N.Z. 13M. INSTALLED IN AMX., CAX., MAX. OR SAX.				
B 2.2.65	NTE	SVB	GC	91477	RELAY RB CODE CORRECTED					
C 17.6.65	NTE	SVB	GC	47535	NO CHANGE SHEET LAMINATED					
D 3.4.69	RC	CJM	AP	93891	SR RELAY CODE CHANGED. C1, C2, RX1 & RX2 CODES CORRECTED. WIPER ASSEMBLY CODE ADDED.					
					ORIGIN	TEL. EQPT. SECT	SIZE	3	31960	A
					DRAWN	TEL. E. SEC. TRACED	F	3		