

SHEET NO.	SIZE	SUB TITLE	ISSUE					
			A	B	C	D	E	
1	L	SCHEMATIC		<input checked="" type="checkbox"/>				
2	F	CROSS CONNECTION	A					
3	S	U POINT WIRING		<input checked="" type="checkbox"/>	C			
4	F	RELAY CODES & COMPONENTS LIST	B					
5	F	RELAY CODES & COMPONENTS LIST.	A					
6								
7								
8								
9								
10								
11								
12								
13								
14								
15								
16								
17								
18								
19								
20								

ISS.	DATE	CHKD.	APPD.	DEL.	ORDER	CHANGE
B	8-11-66	NR	CJA	AFG	46434	INDEX SHEET INCORPORATED & SHEETS 1, 2 AND 4 ADVANCED IN ISS.
C	3-11-69	R.C.	CJA	RSTJ	86196	SHTS. 1 & 3 ADVANCED IN ISSUE.
D	7-1-76	KG	CJW	AJB	55562	SHT. 1 AMD.
E	3-3-76	RGN	CJW	GM	55847	SHT. 1 AMD.

NEW ZEALAND POST OFFICE, ENGINEER-IN-CHIEF, WELLINGTON

DISCRIMINATING SELECTOR LINEFINDER & ALLOTTER CIRCUIT-REMOTE M UNIT

U.A.X. NZ 13
(INDEX SHEET)

ORIGIN	TEL. EQPT. SECT.	SIZE	SHEET	31692	<input checked="" type="checkbox"/>
		F	IND		
DRAWN	TEL. E. SEC.	TRACED	AFG.	<input checked="" type="checkbox"/>	<input checked="" type="checkbox"/>

FIG. 3

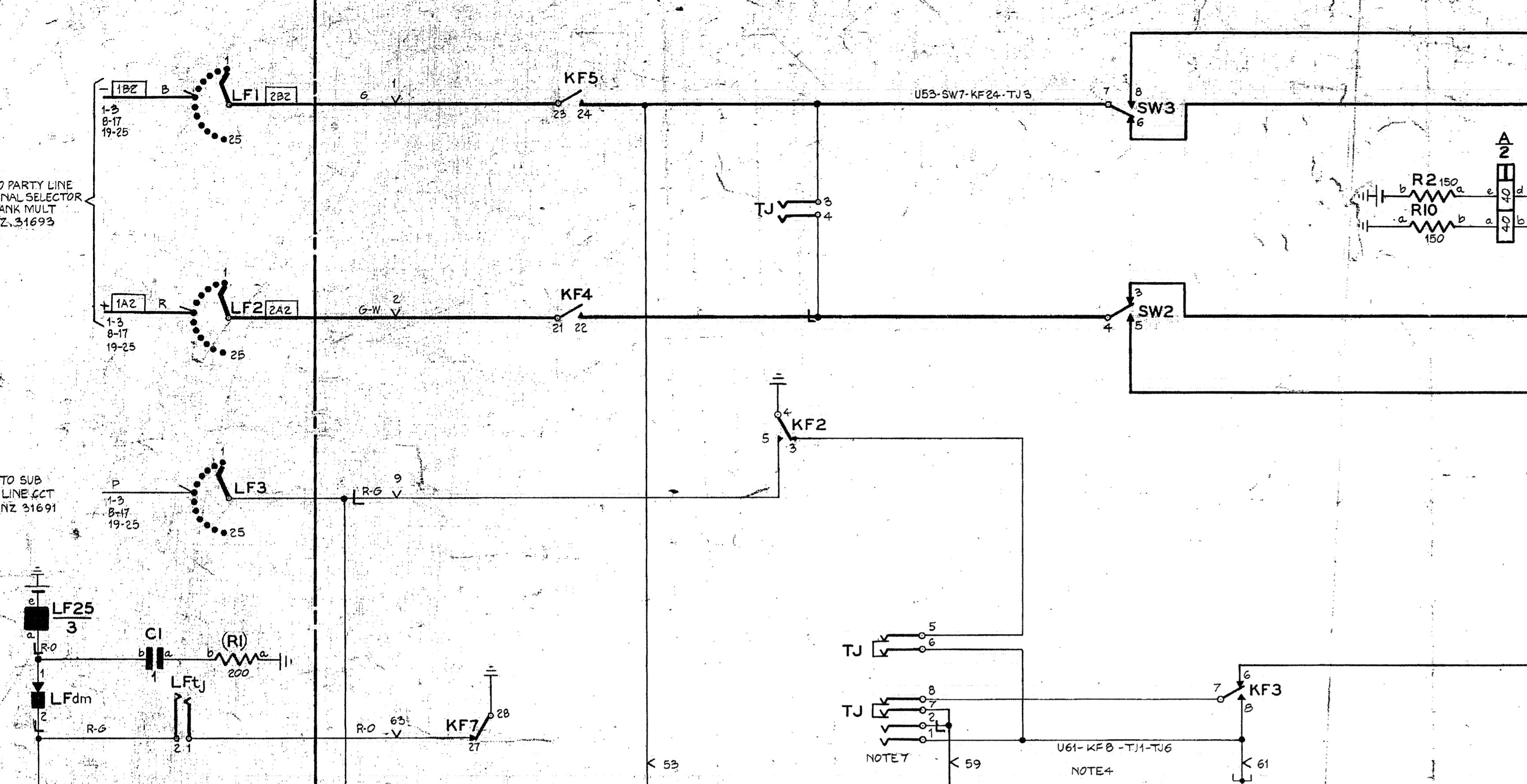


FIG. 1

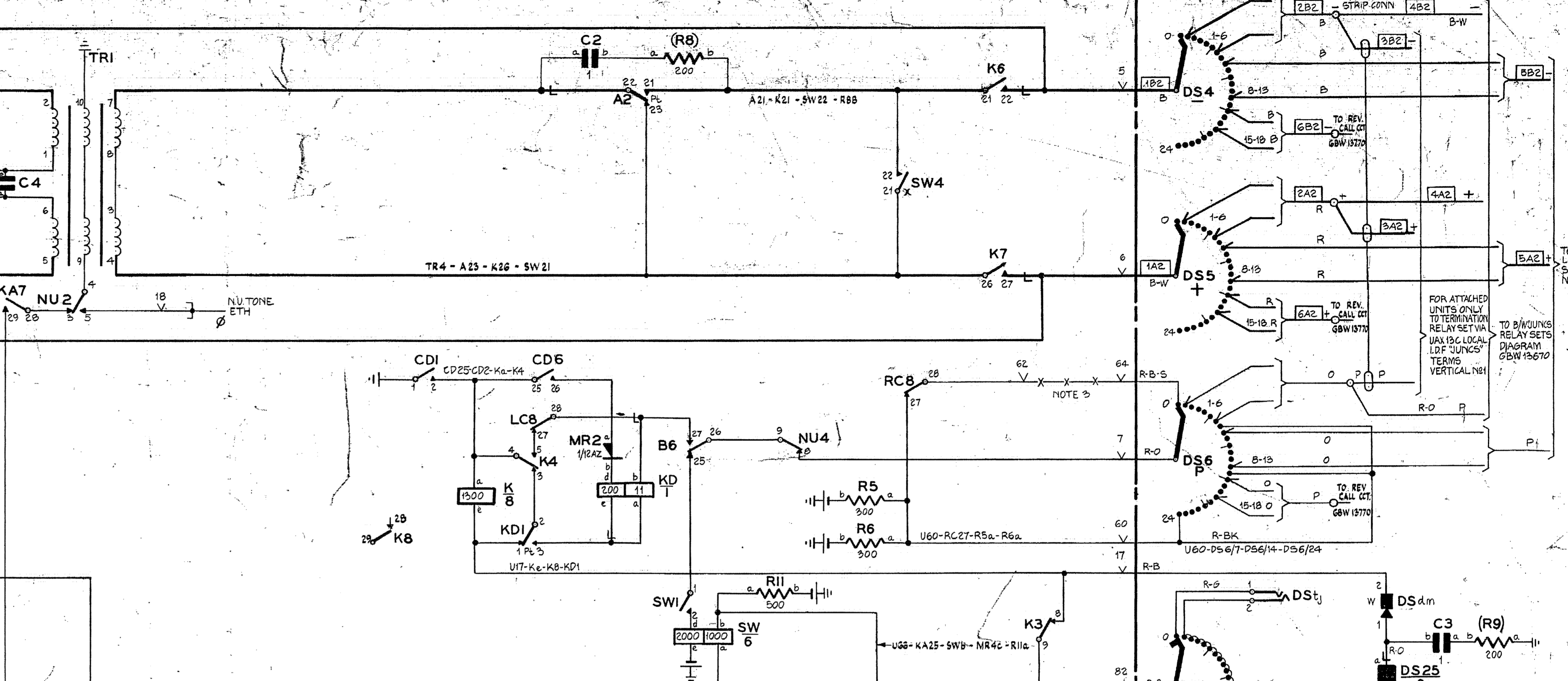


FIG. 2

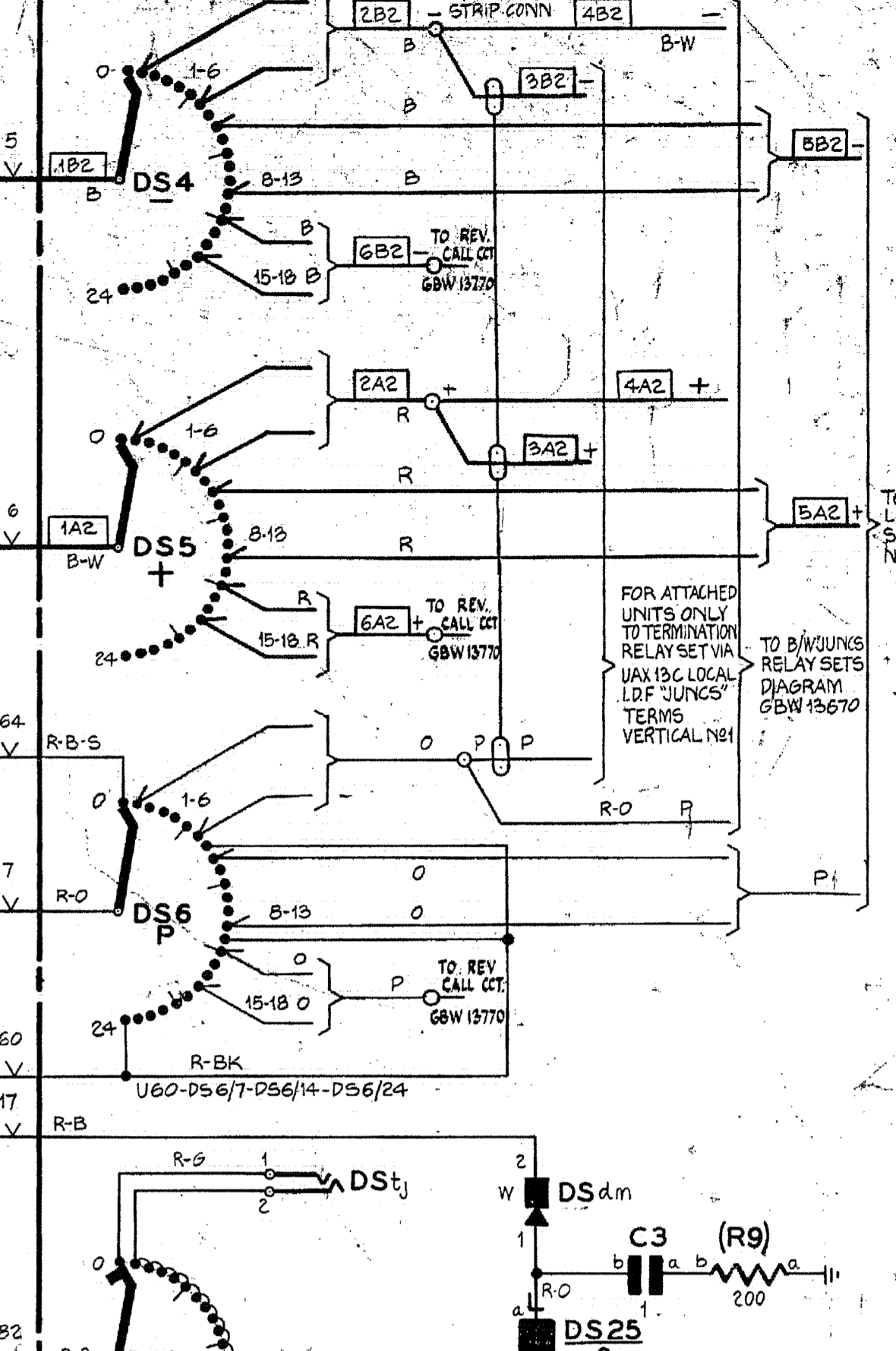
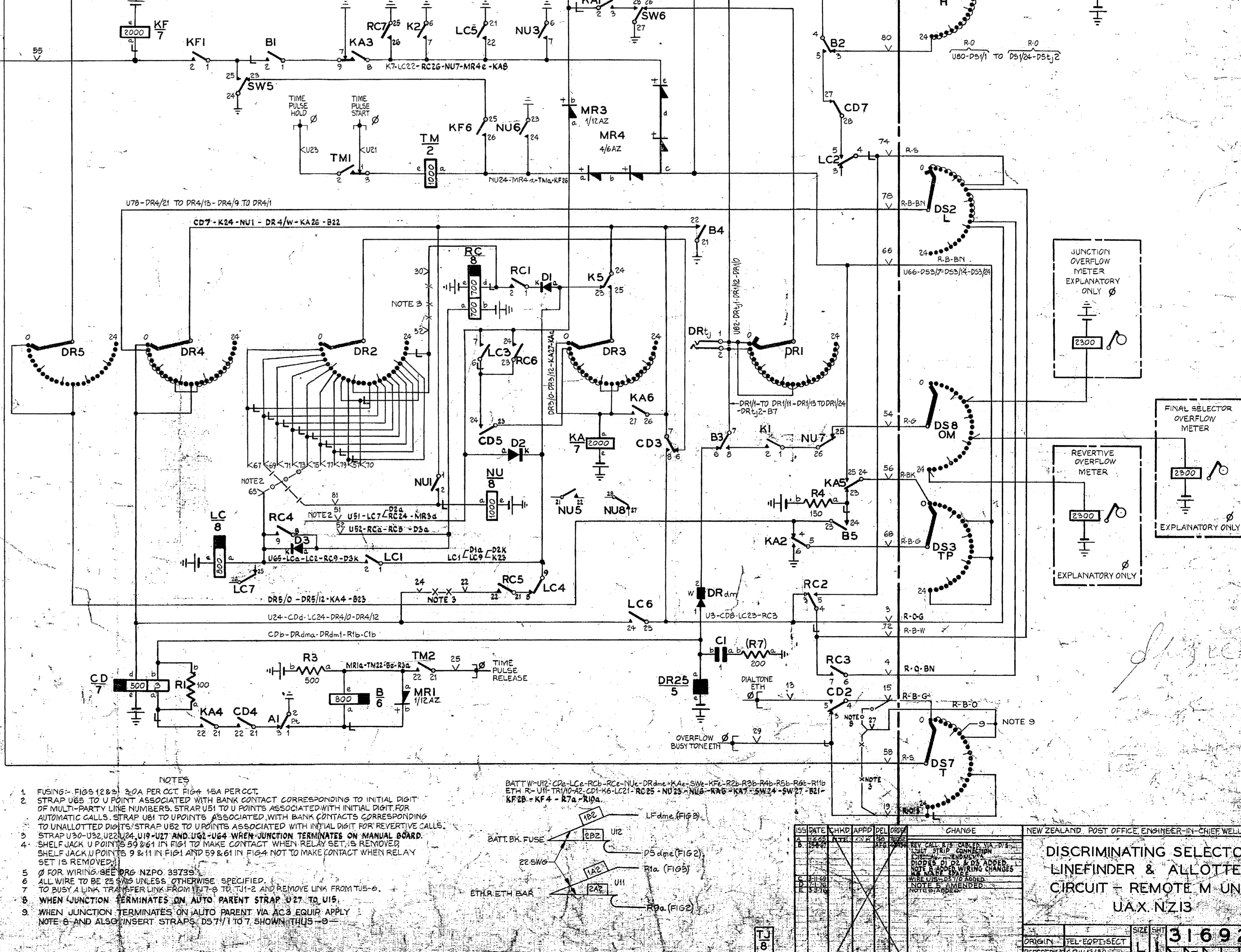
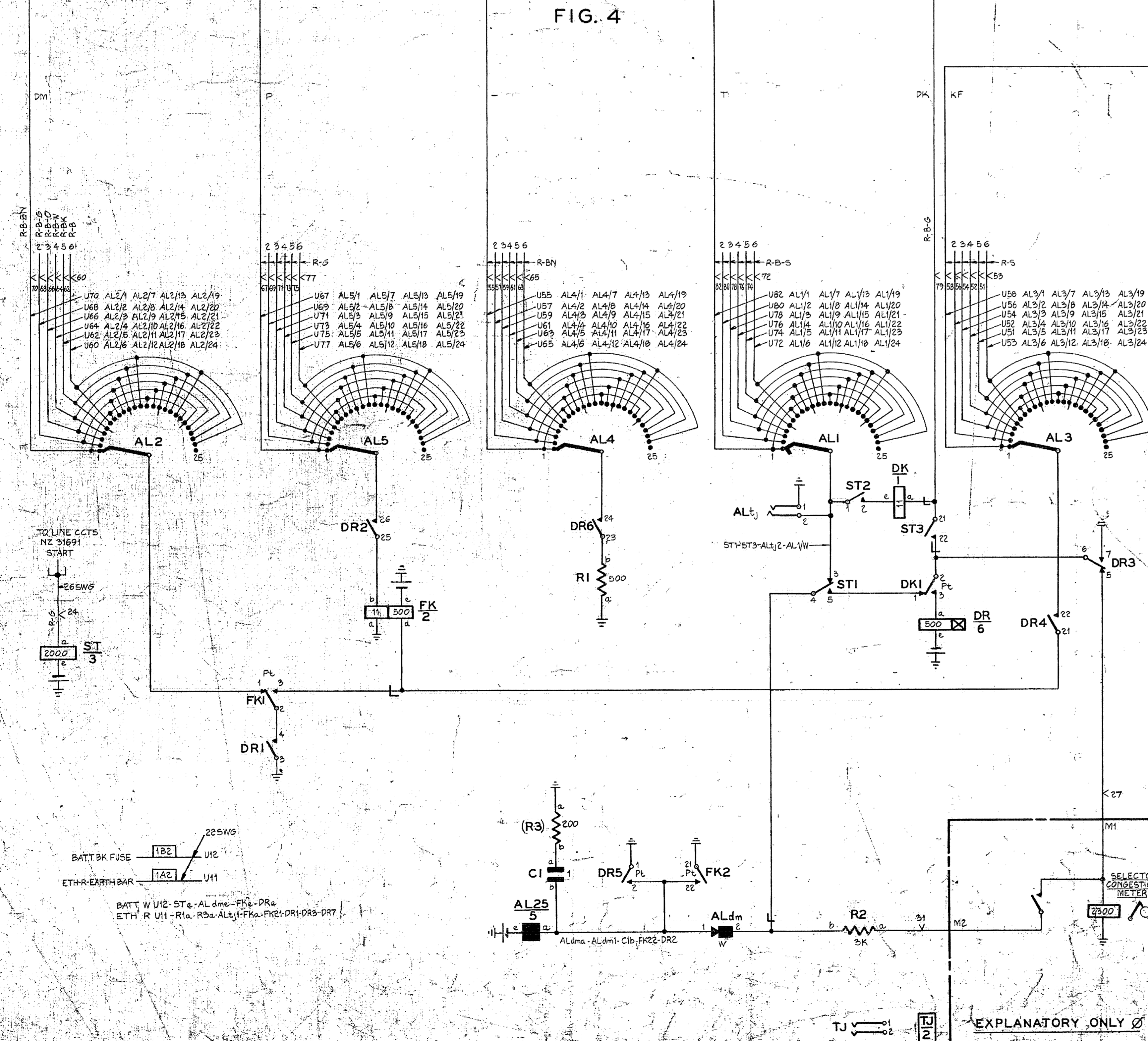


FIG. 4



NOTES

1. FUSING - FIGS 12 & 13: 3.0A PER COT FIG 4: 15A PER COT.
2. STRAP U65 TO U POINT ASSOCIATED WITH BANK CONTACT CORRESPONDING TO INITIAL DIGIT OF MULTI-PARTY LINE NUMBERS. STRAP U51 TO U POINTS ASSOCIATED WITH INITIAL DIGIT FOR AUTOMATIC CALLS. STRAP U61 TO U POINTS ASSOCIATED WITH BANK CONTACTS CORRESPONDING TO UNALLOTTED DIGITS. STRAP U62 TO U POINTS ASSOCIATED WITH INITIAL DIGIT FOR REVERTIVE CALLS.
3. STRAP U50-U52, U60, U61 AND U62-U64 WHEN JUNCTION TERMINATES ON MANUAL BOARD.
4. SHELF JACK U POINTS 59 & 61 IN FIG 1 TO MAKE CONTACT WHEN RELAY SET IS REMOVED. SHELF JACK U POINTS 9 & 11 IN FIG 1 AND 59 & 61 IN FIG 2 NOT TO MAKE CONTACT WHEN RELAY SET IS REMOVED.
5. Ø FOR WIRING - SEE NZPO 35733.
6. ALL WIRE TO BE 25 SWG UNLESS OTHERWISE SPECIFIED.
7. TO BUSY A LINK TRANSFER LINK FROM T-1 TO T-2 AND REMOVE LINK FROM T-1 TO U5.
8. WHEN JUNCTION TERMINATES ON AUTO PARENT STRAP U27 TO U15.
9. WHEN JUNCTION TERMINATES ON AUTO PARENT VIA AC3 EQUIP APPLY NOTE 6 AND ALSO INSERT STRAPS: D5/11 TO 7, SHOWN IN FIG 3 - Ø.

BATT W U12 - STe - AL dme - FKd - DRd
ETH R U11 - R1a - R2a - AL1 - FKa - FKd - DR1 - DR3 - DR7

BATT BK FUSE U12
ETH R-EARTH BAR U11

SELECTOR OVERFLOW METER

EXPLANATORY ONLY Ø

DATE: 1950
CHD: NZPO
APPD: NZPO
DEL: NZPO
ORIG: NZPO
CHANGE: DISCRIMINATING SELECTOR LINEFINDER & ALLOTTER CIRCUIT - REMOTE M UNIT UAX NZ13

NEW ZEALAND POST OFFICE ENGINEER-IN-CHIEF WELLINGTON

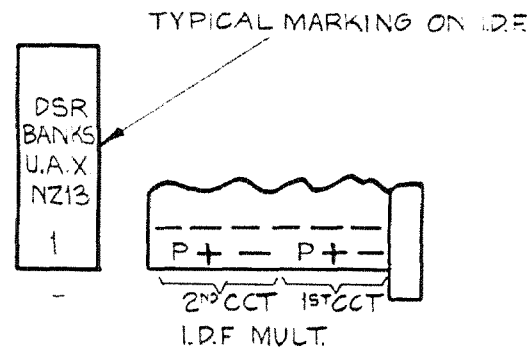
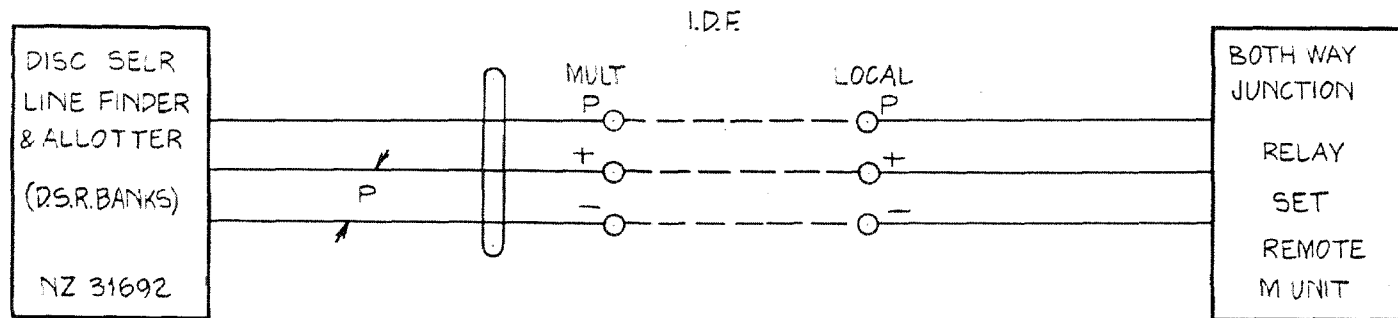
DISCRIMINATING SELECTOR LINEFINDER & ALLOTTER CIRCUIT - REMOTE M UNIT UAX NZ13

SIZE: 31692 A

REF: NZPO 13520

REVISION: 1

DATE: 1950



DISCRIMINATING SELECTOR
LINEFINDER & ALLOTTER
CIRCUIT — REMOTE M UNIT
U.A.X.N.Z.13

ISS	DATE	SKD	APPD	DEL	ORDR
A	11-6-65	N.T.E.	C.F. 2	C.B.	72052

CHANGE

NEW ZEALAND POST OFFICE
ENGINEER-IN-CHIEF, WELLINGTON

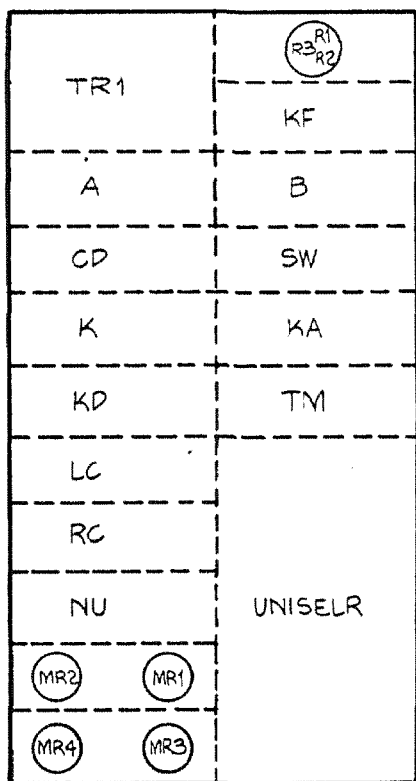
ORIGIN	TEL EQPT SECT	SIZE	SHT	31692A				
REFERENCE	GBX 13650	F	2					
DRAWN	TELEQPTSR	TRACED	CB					

NZPO RELAY CODES & COMPONENTS LIST.

RELAY NAME	NZPO CODE	COY CODE	BCC CODE	BPO CODE	NOTES	COMPONENT DESIGNATION	BPO CODE	COY CODE	NOTES
A			HSD 504		B	R10 & 11 R1,2,3,4,5,6	9		FIG 1
B	50370 SD4					R720	6		"
CD	541275D(6)					D1		HS 1009 OR EQUIV.	DIODE MOUNTED ACROSS LC & RC RELAYS
SW	54135AAX					D2		HS 1009 OR EQUIV.	DIODE MOUNTED ACROSS LC RELAY.
K			20806			D3		HS 1009 OR EQUIV.	DIODE MOUNTED ACROSS RC RELAY
KA	50447AA					MR 1,2,3	1/12 AZ		"
KD			20782P		B	MR 4	4/6 AZ		"
LC	50371SA					C1,C2,	101		"
RC			20805			C4.	102		"
NU			20809			TR1		GEC 97127	FIG 3
DK			1478A		B	R1	6		FIG 3
DR			20830P			C1	101		FIG 3
FK			20779		B	C3	101		FIG 2
KF			2397			R9	6		FIG 2

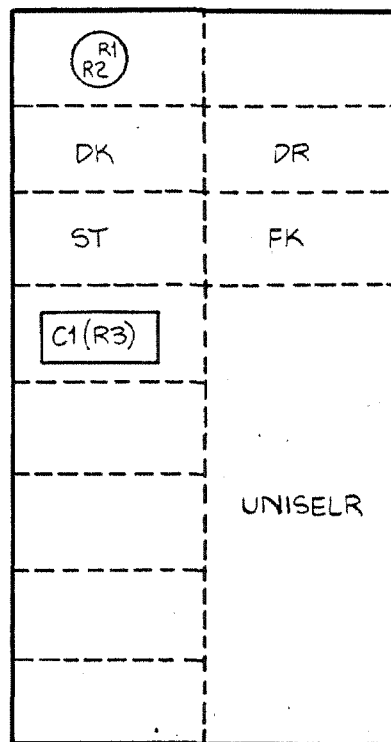
NOTES: -A SPECIAL FACTORS OF SAFETY B SPECIAL ADJUSTMENTS C CUT POINTS OR MODIFICATIONS

FIG 1



FRONT VIEW

FIG 4



FRONT VIEW

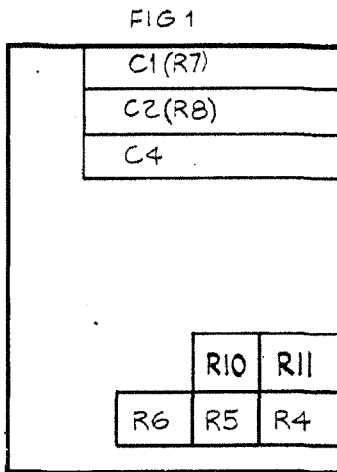


FIG 1

ISS	DATE	CHKD	APPD	DEL	ORDER	CHANGE	NEW ZEALAND POST OFFICE ENGINEER-IN-CHIEF, WELLINGTON
A	11-6-65	NTE	SPF	CLB	72082		COMPONENTS LAYOUT FOR CIRCUIT TITLED :- DISCRIMINATING SELECTOR LINEFINDER & ALLOTTER CIRCUIT - REMOTE M UNIT U.A.X. NZ.13
B	25-8-67			AFG	46434	R10 & R11 NOT SHOWN ON LAYOUT. KA WAS 50335 AB. D1, D2, D3 ADDED.	
						ORIGIN	TEL. EQPT. SEC
						DRAWN	TEL. EQPT. SEC
						TRACED	CLB
						SIZE	SHT
						F. 4	31692 A
						B	

