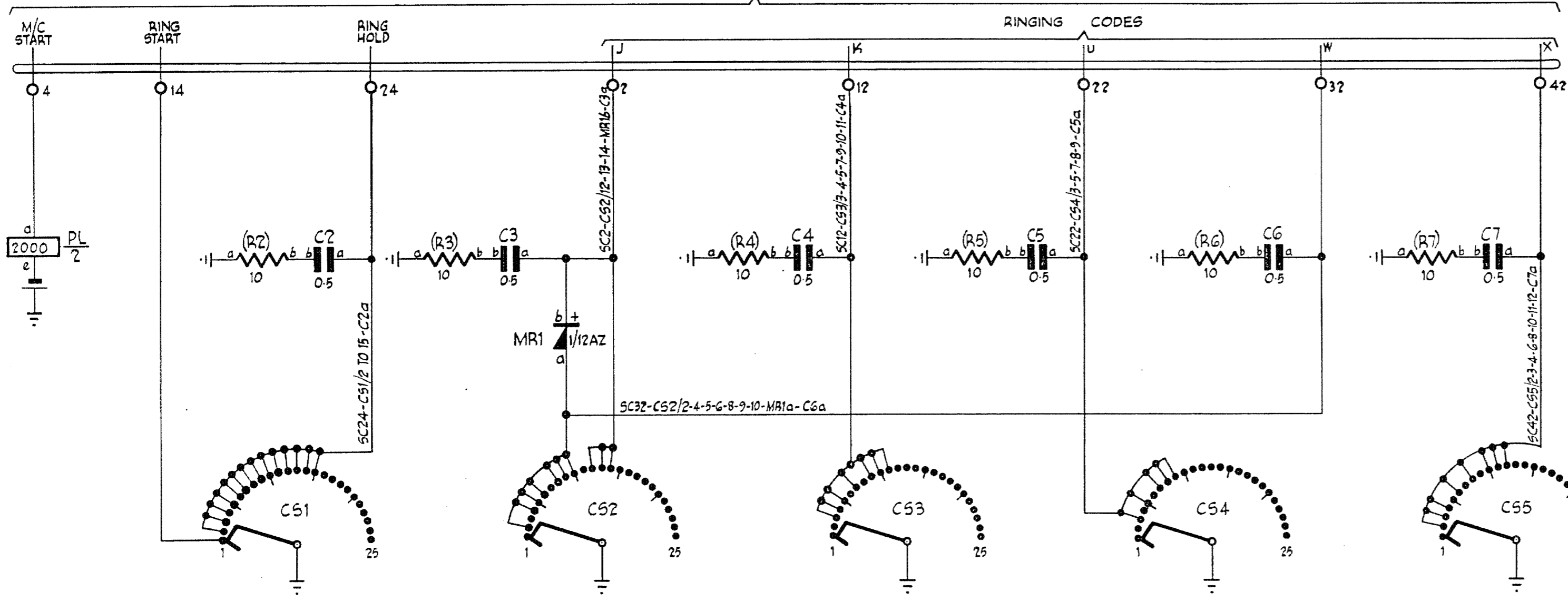
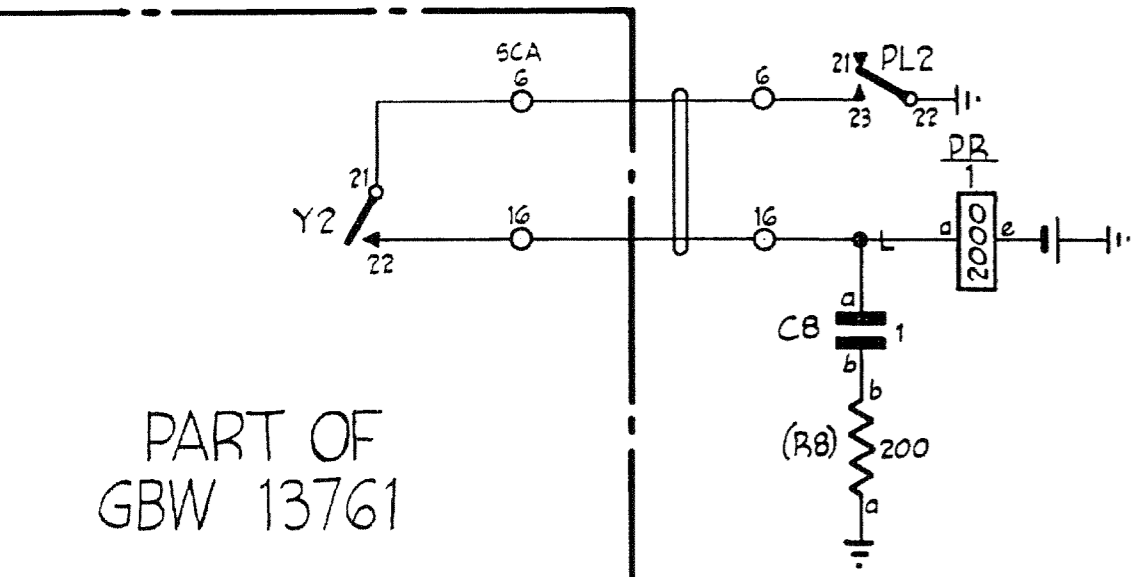


TO 6-10 PARTY R RELAY SETS
31610

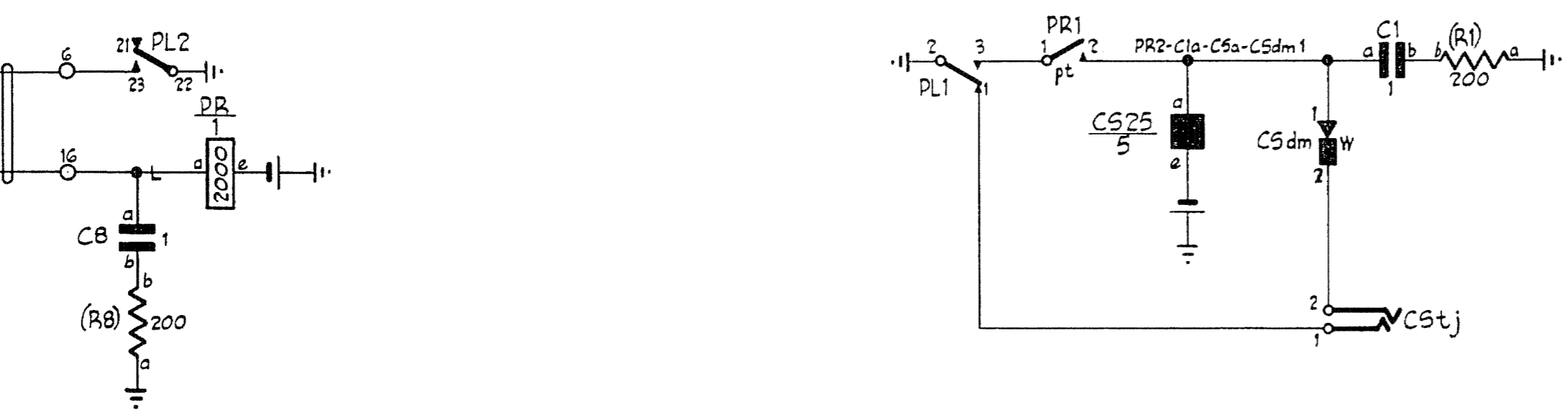


CODE	1	2	3	4	5	6	7	8	9	10	11	12	13	14	15	16	17	18	19	20	21	22	23	24	25
J	RING CODE PERIODS																								
K	RING CODE PERIODS																								
U	RING CODE PERIODS																								
W	RING CODE PERIODS																								
X	RING CODE PERIODS																								
START	RING CODE PERIODS																								
HOLD	RING CODE PERIODS																								
TIME M/S	300																								

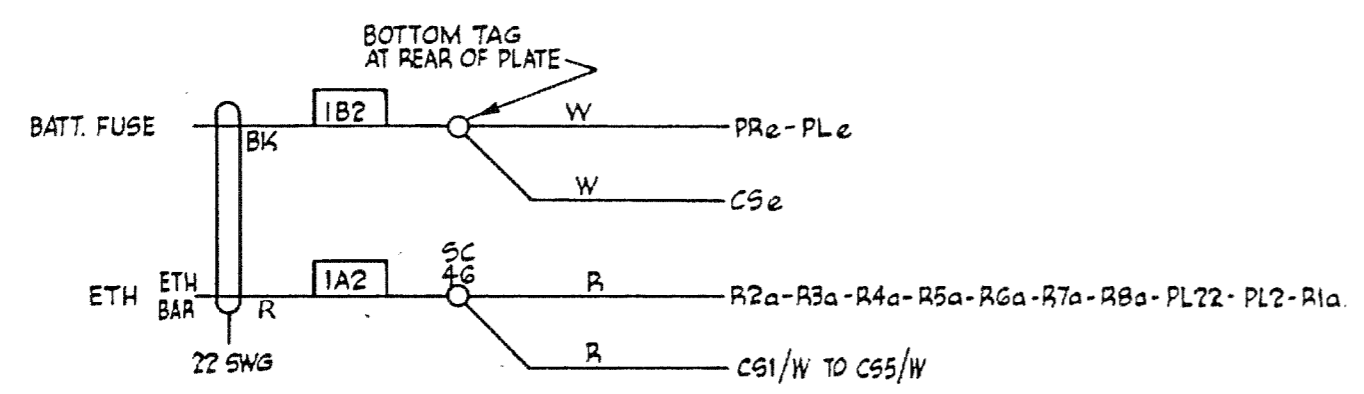


PART OF
GBW 13761

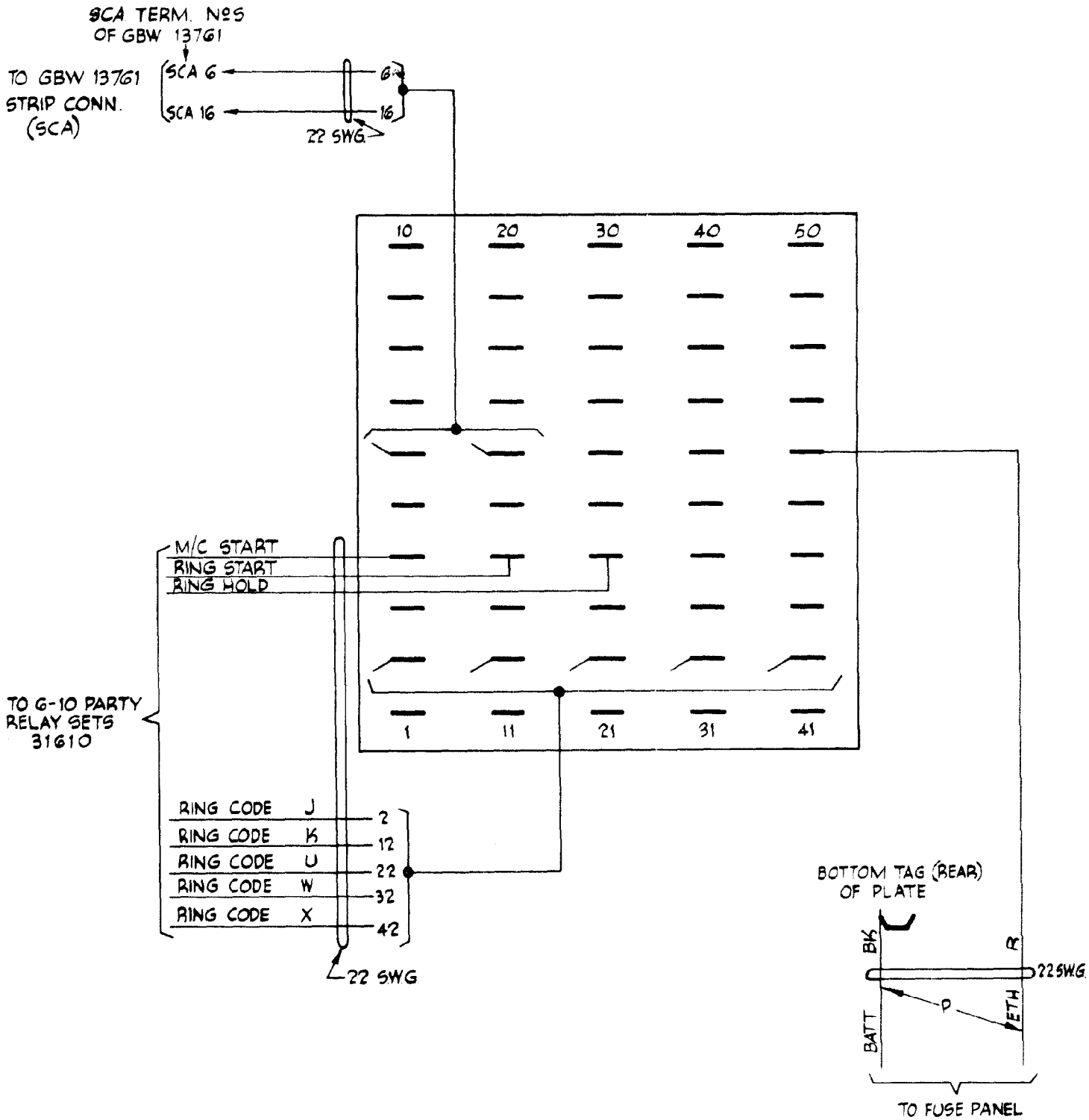
SHOWING CIRCUIT MODIFICATION
REQUIRED FOR THE DERIVATION
OF THE 300 MS DRIVE PULSE.



- NOTES :-
1. FUSING :- 1.0A PER CCT.
 2. ALL WIRING TO BE 25 SW.G. UNLESS OTHERWISE SPECIFIED
 3. UNLESS OTHERWISE INDICATED ALL TERMINALS ARE ON STRIP CONNECTION AT REAR AND ARE DESIGNATED SC IN WIRING RUNS.



ISS	DATE	CHKD	APPD	DEL	ORDER	CHANGE	NEW ZEALAND POST OFFICE ENGINEER-IN-CHIEF, WELLINGTON.
A	23-4-64	N.T.E.	CHB	EDR	72011		U.A.X. NZ. 13 AUXILIARY RINGING CODE RELAY SET FOR 6-10 PARTY R RELAY SETS
							SIZE SHEET M 1 OF 3
							31611 A
							DRAWN TEL.EQPT.SECT. TRACED EDR



ISS	DATE	CHKD	APPD	DEL	ORDER	CHANGE	NEW ZEALAND POST OFFICE ENGINEER-IN-CHIEF, WELLINGTON.
A	23.4.64	N.T.E.	EDR	EDR	72011		U.A.X. NZ. 13 AUXILIARY RINGING CODE RELAY SET FOR 6-10 PARTY R RELAY SETS
						ORIGIN	TEL. EQPT. SECT.
						DRAWN	TEL. EQPT. SECT.
						TRACED	EDR
						SIZE	SWEET
						F	2
							OF
							3
						31611 A	

