

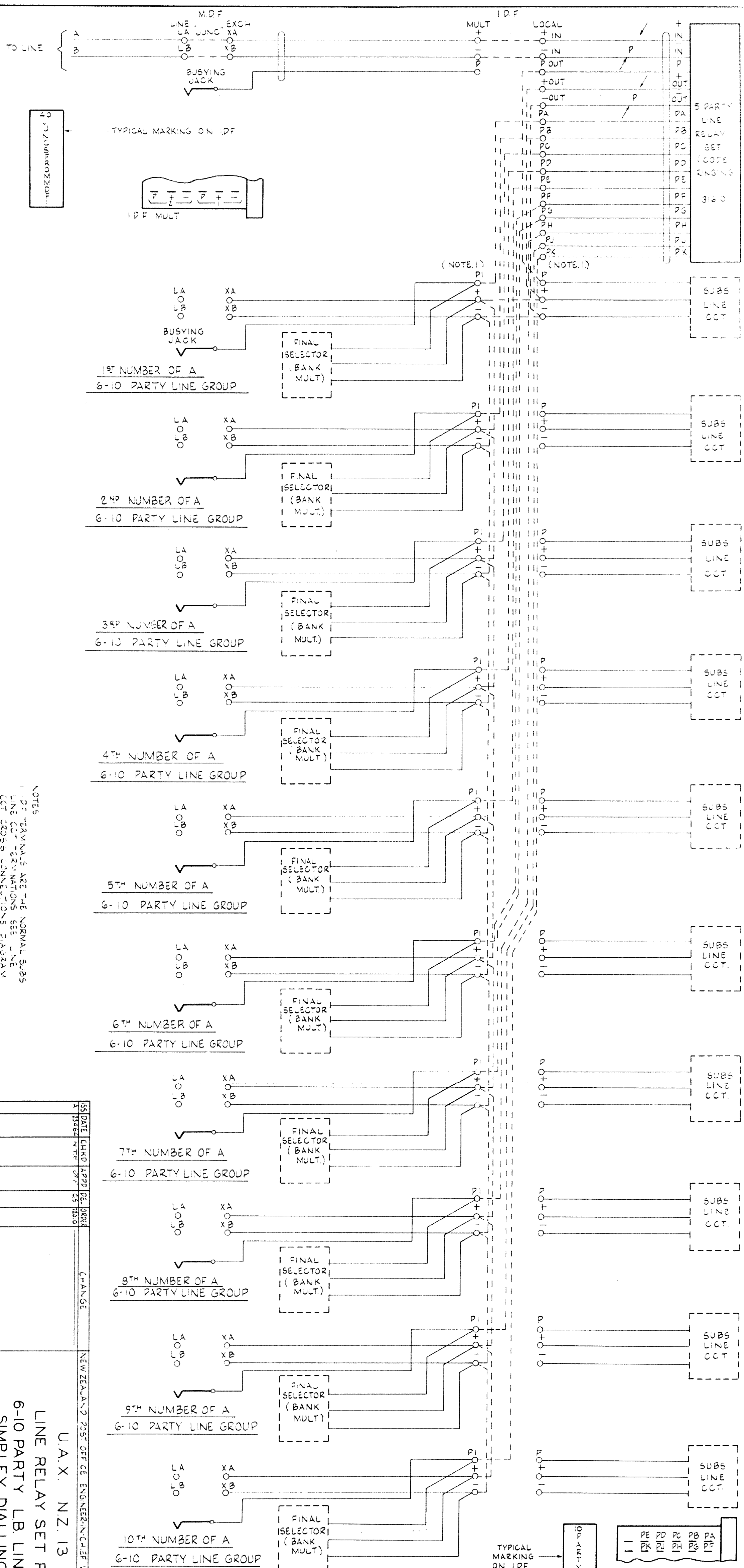
NEW ZEALAND POST OFFICE, ENGINEER-IN-CHIEF WELLINGTON

U.A.X. N.Z. 13
 LINE RELAY SET R
 6-10 PARTY L.B. LINES
 SIMPLEX DIALLING

A 2344 NTE 296 CS 72010

TELE. EQPT. SECT.
 REF. GBU 14410 MOD
 TELE. EQ. SEC. C. 5

2 31610 A
 4



NOTES
 1. IF TERMINALS ARE THE NORMAL SUBS
 LINE CCT TERMINATIONS SEE LINE
 CCT CROSS CONNECTIONS DIAGRAM

ISS DATE	CHND	APPD	DEL	ORDER	CHANGE	NEW ZEALAND POST OFF. CE. ENGINEER-IN-CHIEF WELLINGTON
A 13/6/64				CS 17/5/61		
OR SIN	3	TE. EXP. SECT	M	SIZE SHEET	31610	A
REF	33X 144 3 VOD			OF		
RAWN	TE. SECT TRACED	CS				

U.A.X. N.Z. 13
 LINE RELAY SET R
 6-10 PARTY LB LINES
 SIMPLEX DIALLING

