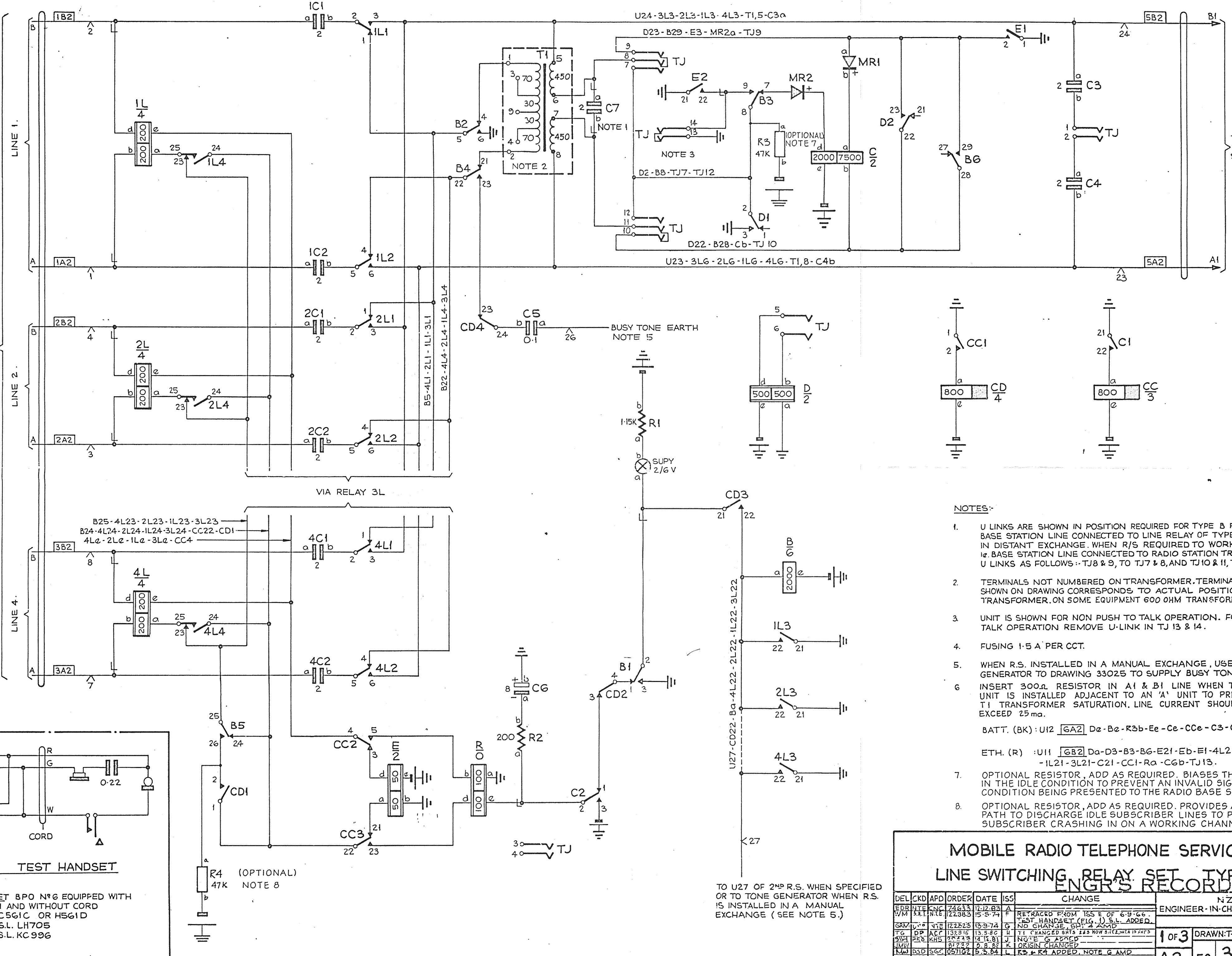


FROM M.D.F. TERM. STRIPS (EXCH. SIDE).



TO BASE STATION  
VIA M.D.F. TERM.  
STRIP & T.J.F.  
NOTE G

- NOTES:-**
- U LINKS ARE SHOWN IN POSITION REQUIRED FOR TYPE B R/S i.e. BASE STATION LINE CONNECTED TO LINE RELAY OF TYPE A UNIT IN DISTANT EXCHANGE. WHEN R/S REQUIRED TO WORK AS TYPE A R/S i.e. BASE STATION LINE CONNECTED TO RADIO STATION TRANSFER U LINKS AS FOLLOWS - TJ8 & 9, TO TJ7 & 8, AND TJ10 & 11, TO TJ11 & 12.
  - TERMINALS NOT NUMBERED ON TRANSFORMER. TERMINAL LAYOUT SHOWN ON DRAWING CORRESPONDS TO ACTUAL POSITION ON TRANSFORMER. ON SOME EQUIPMENT 600 OHM TRANSFORMER WAS FITTED.
  - UNIT IS SHOWN FOR NON PUSH TO TALK OPERATION. FOR PUSH TO TALK OPERATION REMOVE U-LINK IN TJ 13 & 14.
  - FUSING 1.5 A PER CCT.
  - WHEN R.S. INSTALLED IN A MANUAL EXCHANGE, USE TONE GENERATOR TO DRAWING 33025 TO SUPPLY BUSY TONE.
  - INSERT 300Ω RESISTOR IN A1 & B1 LINE WHEN THE 'B' UNIT IS INSTALLED ADJACENT TO AN 'A' UNIT TO PREVENT T1 TRANSFORMER SATURATION. LINE CURRENT SHOULD NOT EXCEED 25 ma.
- BATT. (BK) : U12 [GA2] De-Bz-R3b-Ee-Ce-CCe-C3-CDe-R4b-R1b
- ETH. (R) : U11 [GB2] Da-D3-B3-B6-E21-Eb-E1-4L21-2L21-IL21-3L21-C21-CC1-Ra-C6b-TJ13.
- OPTIONAL RESISTOR, ADD AS REQUIRED. BIASES THE LINE TO -50V IN THE IDLE CONDITION TO PREVENT AN INVALID SIGNALLING CONDITION BEING PRESENTED TO THE RADIO BASE STATION.
  - OPTIONAL RESISTOR, ADD AS REQUIRED. PROVIDES A LEAKAGE PATH TO DISCHARGE IDLE SUBSCRIBER LINES TO PREVENT A SUBSCRIBER CRASHING IN ON A WORKING CHANNEL.

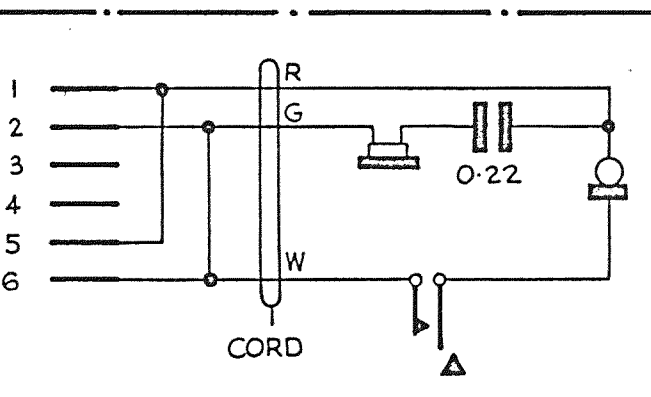
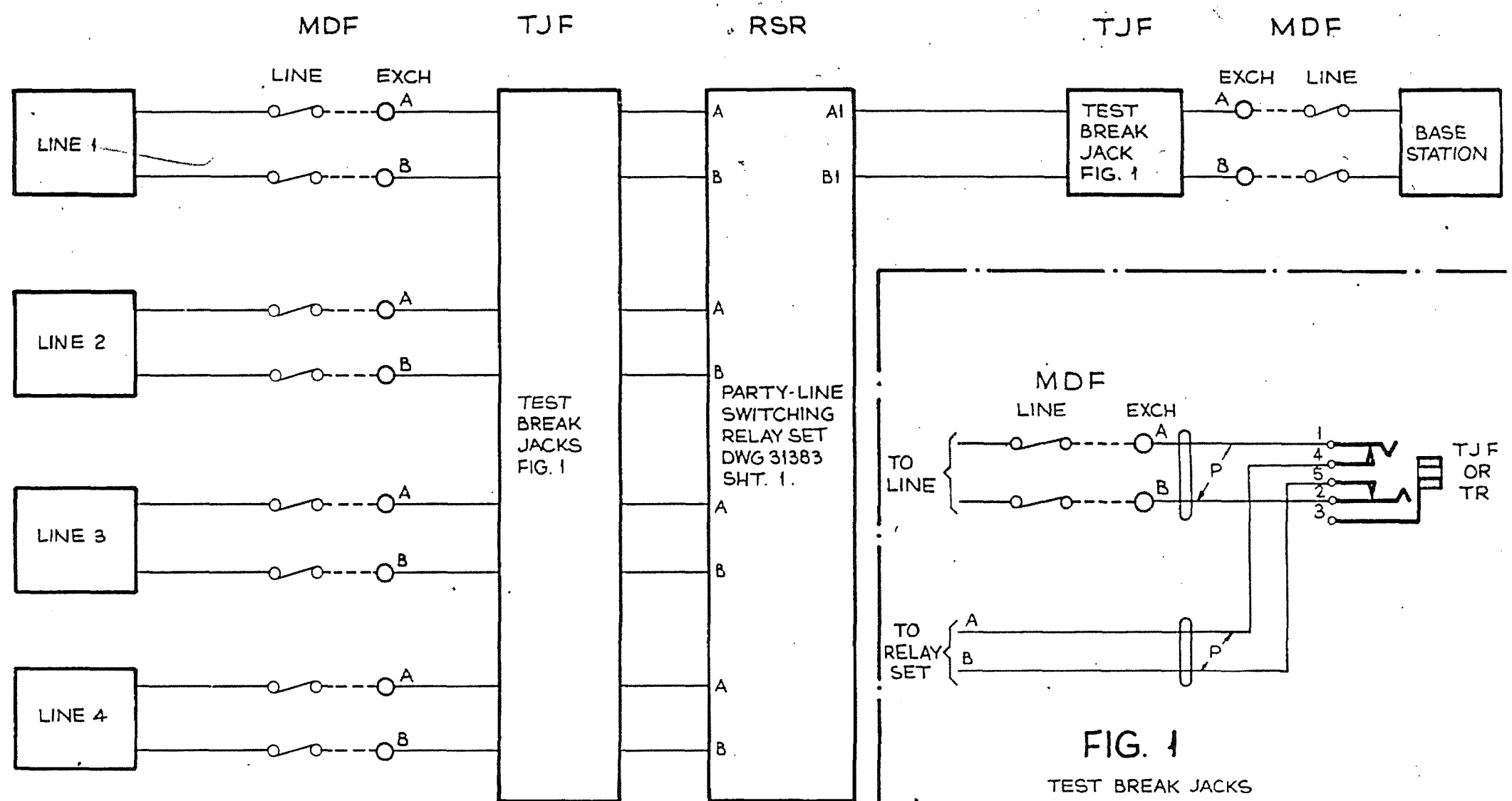


FIG. 1 TEST HANDSET

HANDSET BPO N°6 EQUIPPED WITH SWITCH AND WITHOUT CORD  
S.L. HC561C OR H561D  
PLUG S.L. LH705  
CORD S.L. KC996

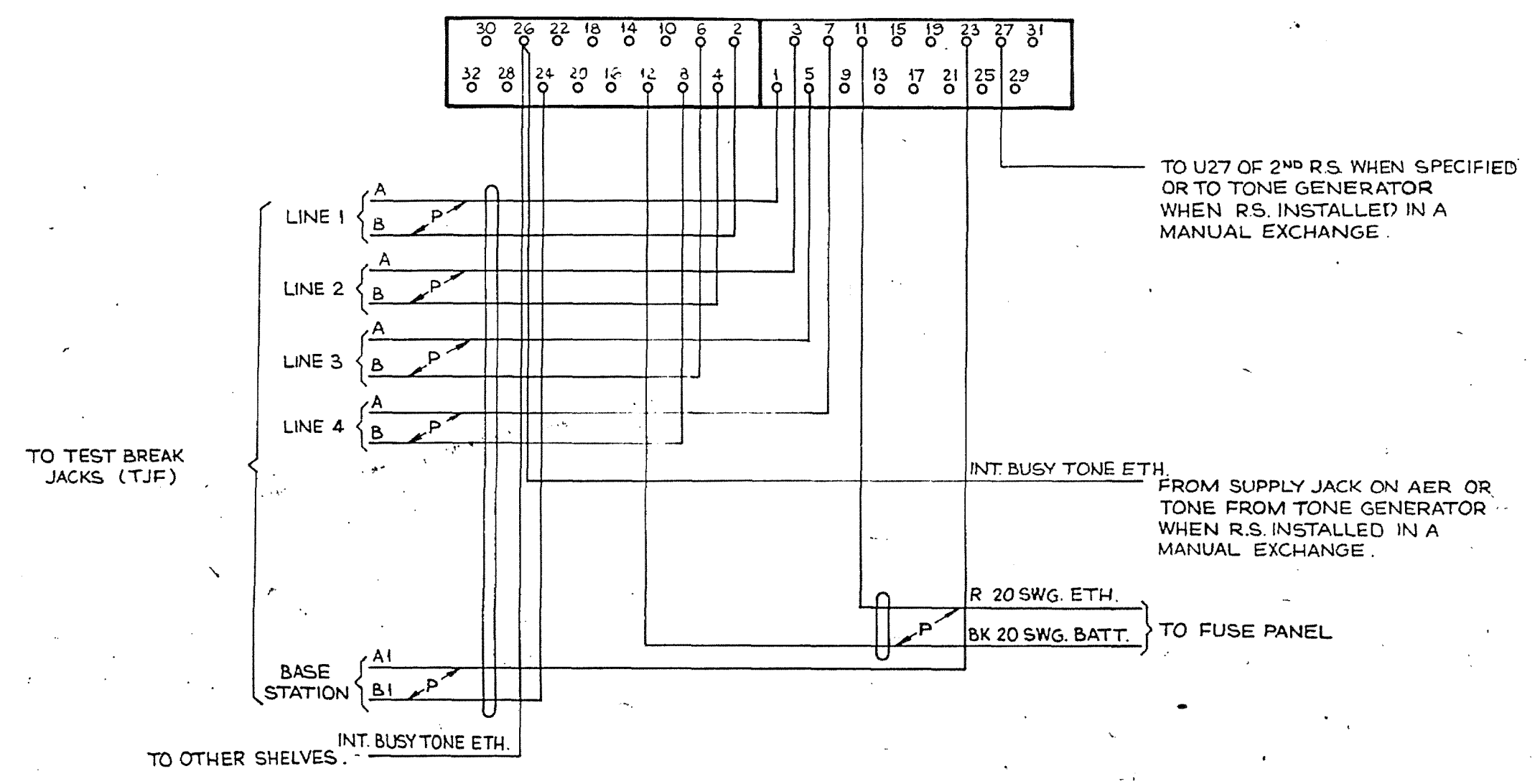
TO U27 OF 2<sup>ND</sup> R.S. WHEN SPECIFIED OR TO TONE GENERATOR WHEN R.S. IS INSTALLED IN A MANUAL EXCHANGE (SEE NOTE 5).

MOBILE RADIO TELEPHONE SERVICE						LINE SWITCHING RELAY SET TYPE B	
ENGR'S RECORD							
DEL	CKD	APD	ORDER	DATE	ISS	CHANGE	
EDR	HTE	KNC	74633	12.12.83	A	RETRACTED FROM ISSUE OF 6.9.66	
WM	S.A.T.	NLE	122383	15.5.74	E	TEST HANDSET (FIG. 1) S.L. ADDED.	
GAV	V.P.	NLE	122323	13.9.74	G	NO CHANGE, ED: 4 AMP	
TG	DP	ACC	132916	13.5.80	H	T1 CHANGED SHTS 123 NOW SHTS 124 TO 125	
SWH	PER	KHS	28712	14.1.81	J	NOTE G ADDED	
UNV			87227	2.9.82	K	ORIGIN CHANGE	
KW	BSD	SGC	057167	5.3.84	L	RESISTOR R4 ADDED, NOTE G AMP	
HKW	DGP	RH	55224	23.8.84	M	NOTES T & D ADDED.	
SL	DGP	RH	55227	2.11.84	N	PLUG S.L. N AMENDED	
						1 OF 3	DRAWN:TEQPT TRACED:EDR
						A2	EC 31383



**FIG. 1**  
TEST BREAK JACKS  
(5 PER RELAY SET)

AS SEEN FROM REAR



**TECHNICAL RECORDS**  
(Southern Division)

L	5.3.84	MW	DCD	SGC	057102	NO CHANGE	SHTS 1&3 AMD
K	0.8.82	JMW			01232	ORIGIN CHANGED.	
J	14.12.81	BWH	REB	KHS	29443	NO CHANGE	SHEET 1 AMD
H	15.5.80	TG	DP	ACC	132916	SIZE SHTS 155 G	13.9.74.
A	12.12.63	EDR	NTE	CNC	74633	SHTS 2&3 RETRACED FROM A4	
ISS	DATE	DEL	CKD	APD	ORDER	CHANGE	

**MOBILE  
RADIO TELEPHONE SERVICE  
LINE SWITCHING  
RELAY SET TYPE B**

DRN: EDR	CKD: NTE	ORIGIN: CS (R)
TCO: TG	APPD: CNC	STANDARD
NZPO ENGINEER-IN-CHIEF, WELLINGTON		
	SHT 2 OF 3 SIZE A2	31383

UD 236

## RELAY CODES AND COMPONENTS LIST

RELAY NAME	B.C.C. CODE	N.Z. P.O. CODE	B.P.O. CODE	COY. CODE	NOTES	STOCK LIST NO	COMPONENT DESIGNATION	B.P.O. CODE	COY. CODE	NOTES	STOCK LIST NO	MISC. COMPONENTS	NOTES	STOCK LIST NO
L	50154						C1, C2	(RADIO TYPE)		MTD IN CAPR BOX				
B	6300		4015				C3, C4, C7	(RADIO TYPE)		MTD IN CAPR BOX				
C		54131 AB					C5	(RADIO TYPE)		MTD IN CAPR BOX				
CC	6447		5295				C6	(RADIO TYPE)		MTD IN CAPR BOX				
CD	50156						R1	35B		MTD IN CAPR BOX				
D		54132 FB					D1, D2		IN4003	MTD ON RELAY TAGS				
R	50152				RETARD		TJ	21J						
E	5312	54027 FB					T1	RADIO TYPE		SPEC R181				
							R2	6		MTD IN CAPR BOX				
							R3	RADIO TYPE		OPTIONAL 47 KOHMS - MTD ON RELAY B TAGS	ER 345			
							R4	RADIO TYPE		OPTIONAL 47 KOHMS - MTD ON RELAY CD TAGS	ER 345			
NOTES														
A - SPECIAL FACTORS OF SAFETY B - SPECIAL ADJUST. C - CCT. POINTS OR MODS.														


### LAYOUT

1L	2L
3L	4L
C	E
CC	B
CD	D
R	T1
TJ	

MTG PL RS 2/3000/12  
FITTED WITH PLUG B PO No 3201

N	2.11.64	GR	DGR	RH	30877	NO CHANGE SHT 1 AMD
M	23.8.64	HKW	DDP	RR	55204	NOTES R3 & R4 AMD.
L	5.3.64	MW	DGD	SCC	05102	R3 & R4 ADDED
K	9.8.62	JMW			81232	ORIGIN CHANGED
J	14.12.61	BWH	REB	KHS	29443	NO CHANGE SHEET 1 AMP & D1, D2 & T1 AMP
H	15.5.60	TG	DP	ACC	132916	ISS G, 13.9.74. WAS SHT. 4, NOTES
A	12.12.63	EDR	NTE	CNC	132916	RETRACED ON LARGER SHT FROM
ISS	DATE	DEL	CKD	APP	ORDER	CHANGE

**MOBILE  
RADIO TELEPHONE SERVICE  
LINE SWITCHING  
RELAY SET TYPE B**

DRN: EDR	CKD NTE	ORIGIN: CS (R)
TCD: TG	APPD CNC	STANDARD
NZPO ENGINEER-IN-CHIEF, WELLINGTON		
	SHT 3 OF 3 S 2: A2	EC 31383