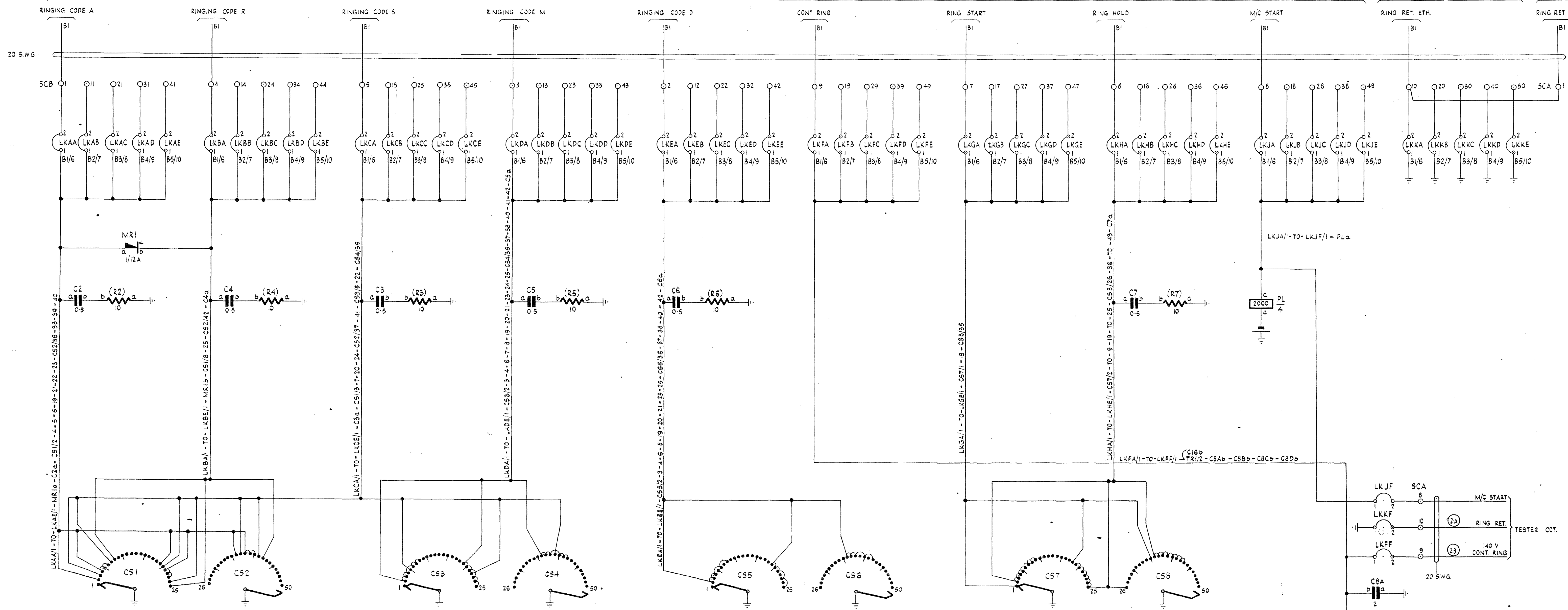
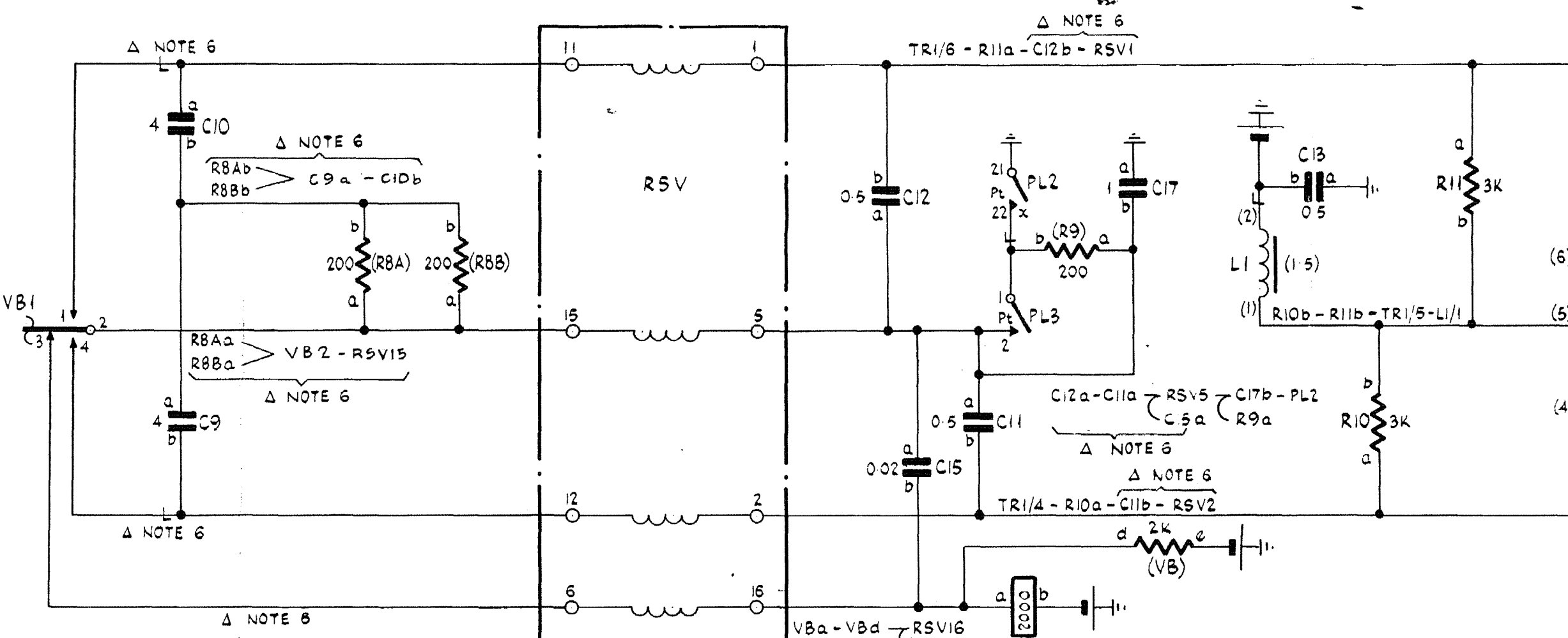
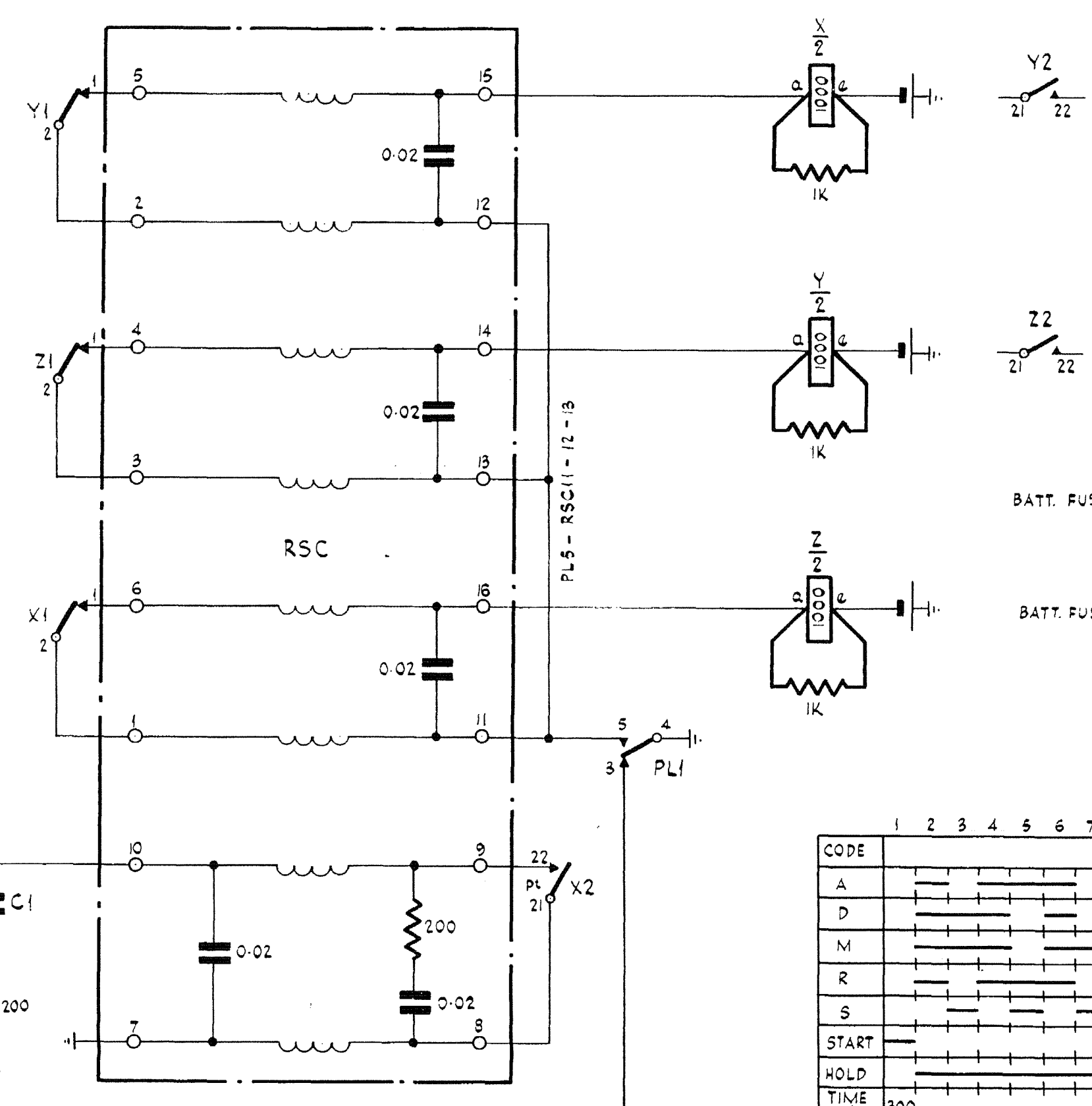
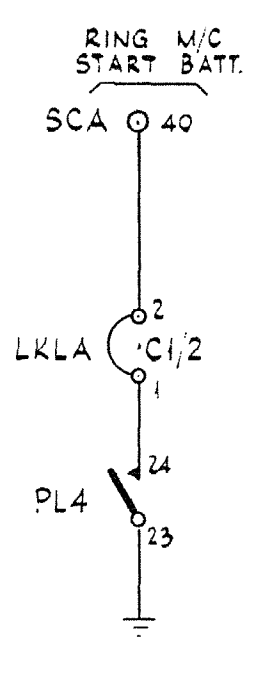


TO 5 PARTY REVERTIVE CALL RELAY SETS (NZPO 31005) & 5 PARTY LINE RELAY SETS (NZPO 31007)  
MOUNTED ON 'B' UNIT OR 'M' FINAL SELECTOR CIRCUITS (NZPO 31004)

TO 5 PARTY REVERTIVE CALL RELAY SETS (NZPO 31005) MOUNTED ON 'B' UNIT OR 'M' FINAL SELECTOR CCTS (NZPO 31004)  
TO 5-PARTY LINE RELAY SETS (NZPO 31007) MOUNTED ON 'B' UNIT.



TO RINGING TONES & PULSES CCT (WIRED BUT NOT IN USE)



- NOTES -
- 1. FUSING - SELECTOR & RELAYS 1.0A PER CCT, CHOKE 1.5A PER CCT.
- 2. RELAYS XY & Z TO BE ADJUSTED TO PROVIDE FOR STEPPING SWITCH EVERY 300 M/S.
- 3. UNLESS OTHERWISE INDICATED ALL TERMINALS ARE ON STRIP CONNECTION AT REAR AND ARE DESIGNATED SCA (UPPER STRIP) & SCB (LOWER STRIP) IN WIRING RUNS.
- 4. ALL WIRING TO BE 25 S.W.G. UNLESS OTHERWISE SPECIFIED.
- 5. Ø FOR WIRING SEE NZPO 31035.
- 6. WIRES MARKED Δ TO BE RUN IN SEPARATE CABLE FORM LACED & SPACED INDIVIDUALLY FROM MAIN FORM.
- 7. ADJUST VOLTAGE ON SITE TO GIVE SATISFACTORY RINGING.

Wiring schedule table with columns for CODE (A, D, M, R, S, START, HOLD, TIME M/S) and rows for 50 different lines.

ENG'G RECORD

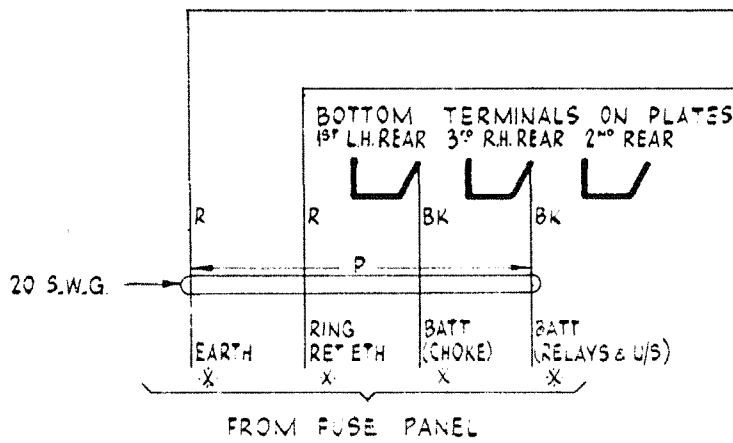
Administrative forms including 'CHANGE' log, 'NEW ZEALAND POST OFFICE, ENGINEER-IN-CHIEF, WELLINGTON', and project details for 'RINGING CODE RELAY SET FOR 5 PARTY LINES (LOOP DIALLING TELEPHONES) U.A.X. N.Z. 13M'.

TO RINGING TONES & PULSES CCT.  
(WIRED BUT NOT IN USE)

TO LINE TESTER CIRCUIT

RING M/C START BATT.  
RING RET.  
140 V  
CONT. RING.  
M/C START

20 SWG.



FROM FUSE PANEL

TO 5 PARTY LINE RELAY SETS (NZPO 31007)  
MOUNTED ON 'B' UNIT. SEE RACK COMMON  
SERVICES N.Z.P.O. 31035 (SHEET 2)

RING RET ETH. B1

TO 5 PARTY REVERTIVE CALL RELAY SETS  
(NZPO 31005) OR 'M' FINAL SELECTOR RELAY SETS  
(N.Z.P.O. 31004) SEE RACK COMMON SERVICES  
N.Z.P.O. 31035 (SHEET 1)

RING RET ETH B1

CONT RING  
120/140 V.

M/C START B1

RING START B1

RING HOLD B1

S B1

R B1

M B1

D B1

A B1

RING  
CODES

20 SWG

NOTES -

1. ALL WIRING TO BE 22 SWG UNLESS OTHERWISE SPECIFIED
2. SCA INDICATES UPPER STRIP CONN.  
SCB INDICATES LOWER STRIP CONN.
3. WHEN USED WITH 'M' FINAL SELECTOR GCT. NZPO 31004  
ONLY WIRES MARKED THUS X TO BE CABLED.

ISS	DATE	CHKD.	APPD.	DEL	ORDER	CHANGE
A	3.28.63	Y.M.	Y.H.	Y.H.	28349	NO CHANGE, SHEETS 1 & 3 AMENDED
B	10.7.66	Y.M.	Y.H.	Y.H.	94598	STRAP SHOWN SCAI- SCB10
C	8.4.69	Y.M.	Y.H.	Y.H.	93266	EDITORIAL CHANGES ADDED.

ENGR'S RECORD

NEW ZEALAND POST OFFICE, ENGINEER-IN-CHIEF, WELLINGTON.

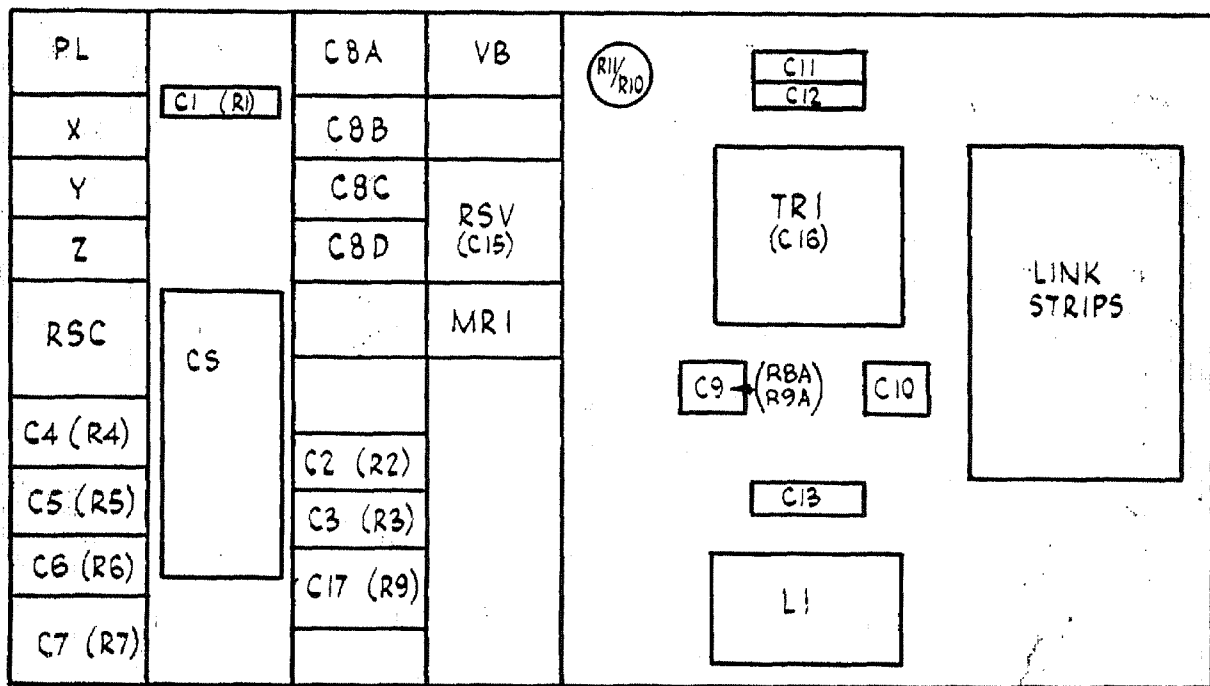
RINGING CODE RELAY SET  
FOR 5 PARTY LINES  
(LOOP DIALLING TELEPHONES)  
U.A.X. N.Z. 13M  
INSTALLED IN A.M.X., C.A.X., M.A.X., OR S.A.X

ORIGIN	TEL. EQUIP. SECT.	SIZE	SHEET	31006	A
REFERENCE	GBU 13761	S	2		
DRAWN	TEL. EQ. SEC. TRACED		3		

# NZ.P.O. RELAY CODES & COMPONENTS LIST.

RELAY NAME	NZ.P.O. CODE	COY CODE	B.C.C. CODE	B.P.O. CODE	NOTES	COMPONENT DESIGNATION	B.P.O. CODE	COY CODE	NOTES
PL		21167 P				C1, C14, C17	P.O. 119		
X		20985 P				C2 - C7 C11 - C13	P.O. 106		
Y		20986				C8A - C8D	P.O. 102		
Z		20986				C9 & C10	P.O. 103		
VB		2620				C15 - C16	P.O. 104		
						R1 - R9	Nº 6		
						R10 & R11	Nº 12		
						MRI	1/2 AZ		

NOTES - A SPECIAL FACTORS OF SAFETY B SPECIAL ADJUSTMENTS C CCT. POINTS OR MODIFICATIONS



R1 - R9 - P.O. Nº 6  
 R10 - R11 - P.O. Nº 12  
 MRI - 1/2 A NON-MAGNETIC COVER TO BE FITTED ON VB

ISS. DATE	CHKD	APPD	DEL. ORDER	CHANGE	NEW ZEALAND POST OFFICE ENGINEER-IN-CHIEF WELLINGTON
A 30.6.63	CS	YH	86349		<p style="text-align: center;"><b>COMPONENTS LAYOUT FOR CIRCUIT</b>  <b>TITLED - RINGING CODE RELAY SET</b>  <b>FOR 5 PARTY LINES SET</b>  <b>(LOOP DIALLING TELEPHONES)</b>  <b>U.A.X. N.Z. 13M</b>  <b>INSTALLED IN A.M.X, C.A.X, M.A.X, OR S.A.X.</b></p>
B 10.2.66	CS	RR	94598	C14 REMOVED	
C 8.4.69	CS	AP	93266	NO CHANGE SHT.2 AMENDED.	

ENGINEER'S RECORD

ORIGIN	TEL. EQPT. SECT.	SIZE	SHEET
REFERENCE: GBW 13781	F	3	31006 A
DRAWN: TEL. EQPT. TRACED Y.H.	F	3	31006 A