

SHT No	SIZE	SUB-TITLE	ISSUE					
1	A3	BASIC SWITCHING CIRCUITS	A	B	C	D		
2	A3	RCCL	B	C	D			
3	A4	KEY CCTS AT SUBSCRIBERS PREMISES	A	B	C			
4	A4	EXCHANGE CABLING SCHEME	A	B	C			
5	A3	SCHEME 'A' DIVERSION	A	B	C	D		
6	A1	SCHEME 'B' DIVERSION	A	B	C	D	E	
7	A1	SCHEME 'C' DIVERSION	B	C	D	E		
8								
9								
10								
11								
12								
13								
14								
15								
16								
17								
18								
19								
20								
21								
22								
23								
24								
25								
26								
27								
28								
29								
30								

NOTES

DEL	CKD	APD	ORDER	DATE	ISS	CHANGE
PAW	H.G.	C.W.	71757	21-5-70	A	
N.S.	GRH	J.R.	38277	31-5-83	G	SHTS 6, 7 & IND RE DRAWN

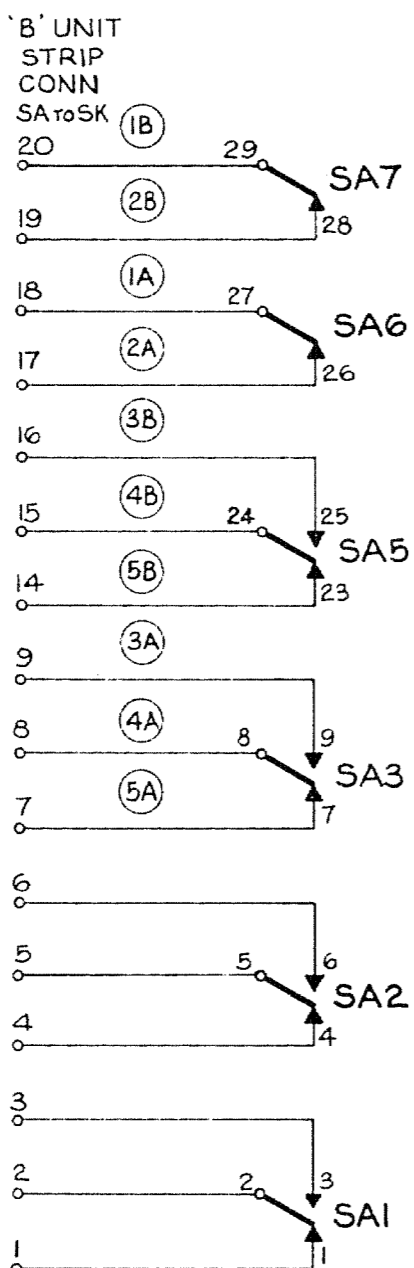
N Z P O ENGINEER-IN-CHIEF WELLINGTON

**SUBSCRIBER  
CONTROLLED  
DIVERSION SERVICE**  
(INDEX SHEET)

COY.N: :	IND	<b>30975</b>
ORIGIN: S.S.	A4	
DWN: S.S. TCD: N.S.		

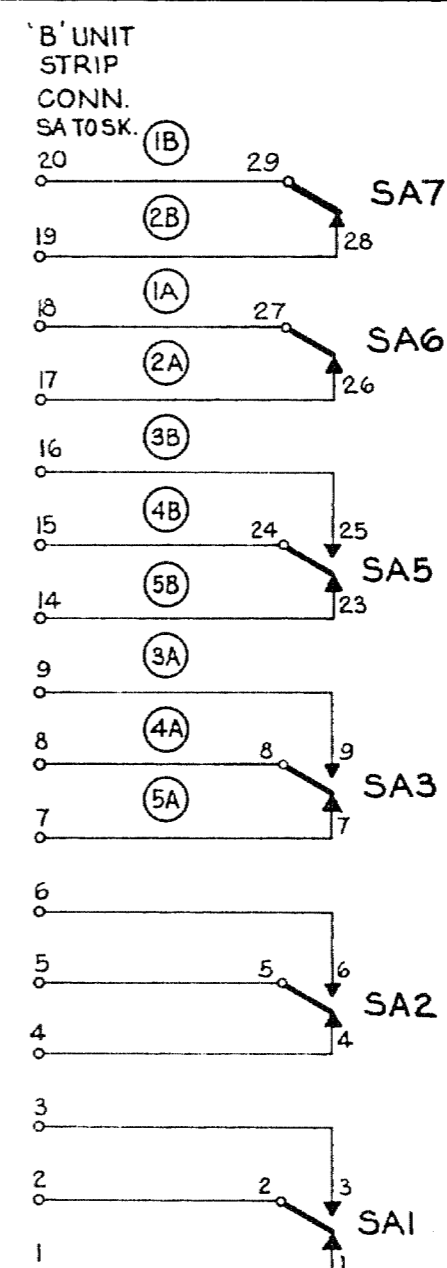
MASTER TRACING, 13800.

FIG. 1.1 SWITCHING RELAYS



SCHEME "C"

FUSING :-  
 FUSE 1.5A PER 10 SA, SB, ETC. RELAYS  
 FUSE HA, HAA, ETC. RELAY WITH ASSOCIATED 5A, 5B, ETC. RELAYS



SCHEME "A", "B"

FUSING :-  
 FUSE 1.5 A PER 10 SA, SB ETC. RELAYS  
 FUSE HA, HB, ETC. RELAY WITH ASSOCIATED 5A, 5B ETC. RELAYS

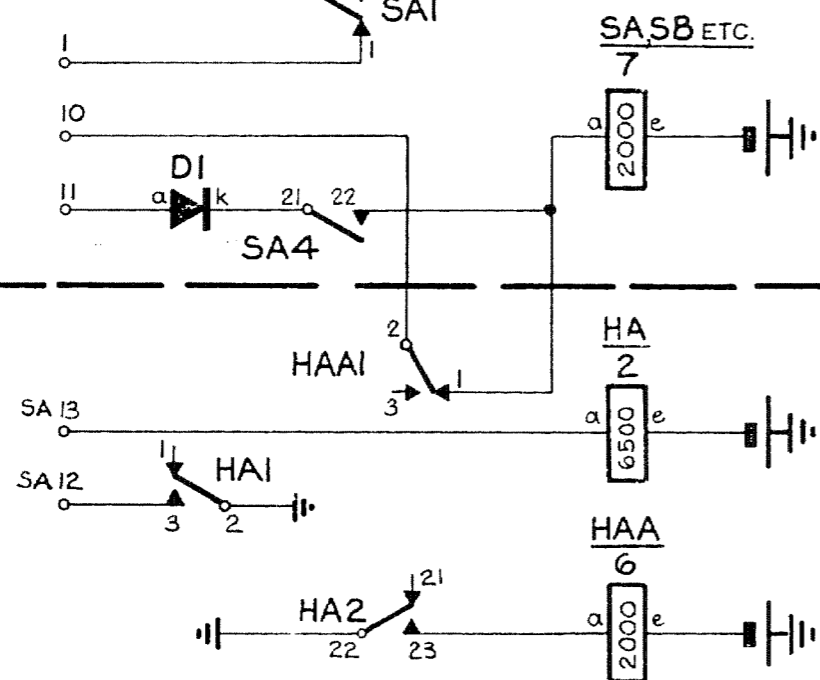
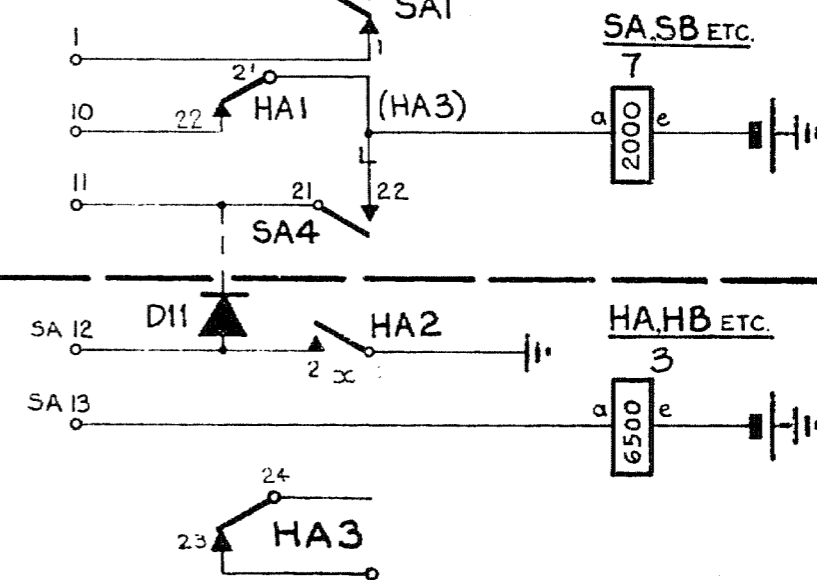


FIG. 1.2 BUSYING RELAYS



SUBSCRIBER CONTROLLED  
 DIVERSION SERVICE  
 BASIC SWITCHING CIRCUITS.  
 UAX. NZ 13

DATE	ISS	CHANGE
22.7.63	A	
30.3.74	B	REVISED SCHEMES A,B,C.
2.10.79	C	WIRING AMP TO CORRESPOND SHT 7
8.10.81	D	HA1, HA2 & TITLE BLOCK AMP.

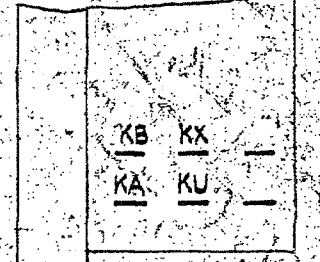
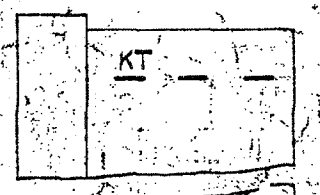
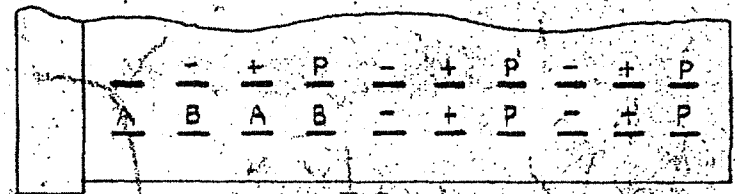
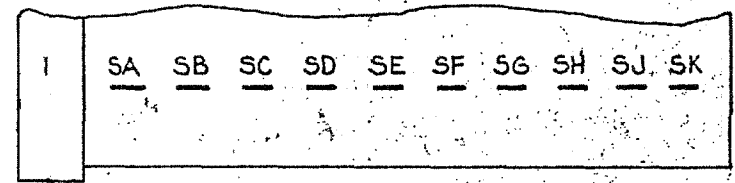
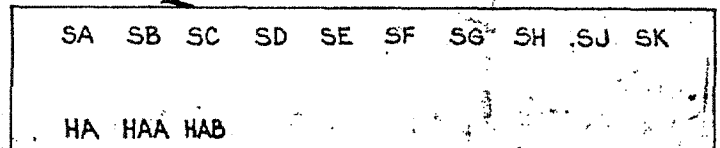
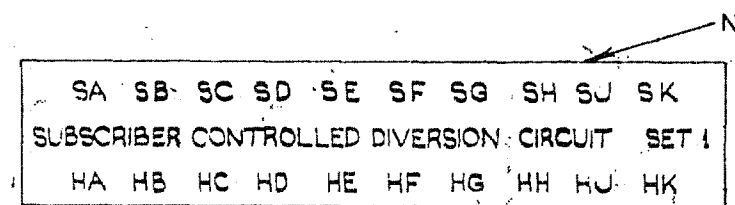
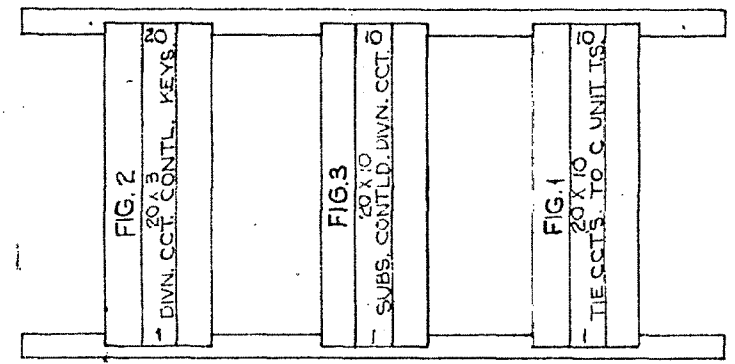
N.Z. P.O. ENGINEER-IN-CHIEF, WELLINGTON		
COY. N <sup>o</sup> .	ORIGIN S.S.	
SHT. 4	DRAWN: S.S.	TRACED: RM/T
A3	30975	

# RELAY CODES AND COMPONENTS LIST

RELAY NAME	B.C.C. CODE	N.Z.P.O. CODE	B.P.O. CODE	COY. CODE	NOTES	S/L	COMPONENT DESIGNATION	B.P.O. CODE	COY. CODE	NOTES	S/L	MISC. COMPONENTS	NOTES	S/L
SA ETC	B4194					W/S	DI - DIO		1N4003	DIODE SCHEME C ONLY	K905	MTG. PLATE	F151/20AH	LH661
HA ETC		50660 BA			SCHEMES A & B	W/S	D11		1N 4003	DIODE (NOTE 5-3)	K905	CONN. STRIP	20 X 3	LH207
												CONN. STRIP	20 X 10	LH214A
HA	B22213				SCHEME C	W/S								
HAAHAB	B6300				"	W/S								

**NOTES**  
A - SPECIAL FACTORS OF SAFETY B - SPECIAL ADJUST. C - CCT. POINTS OR MODS.

### LAYOUT

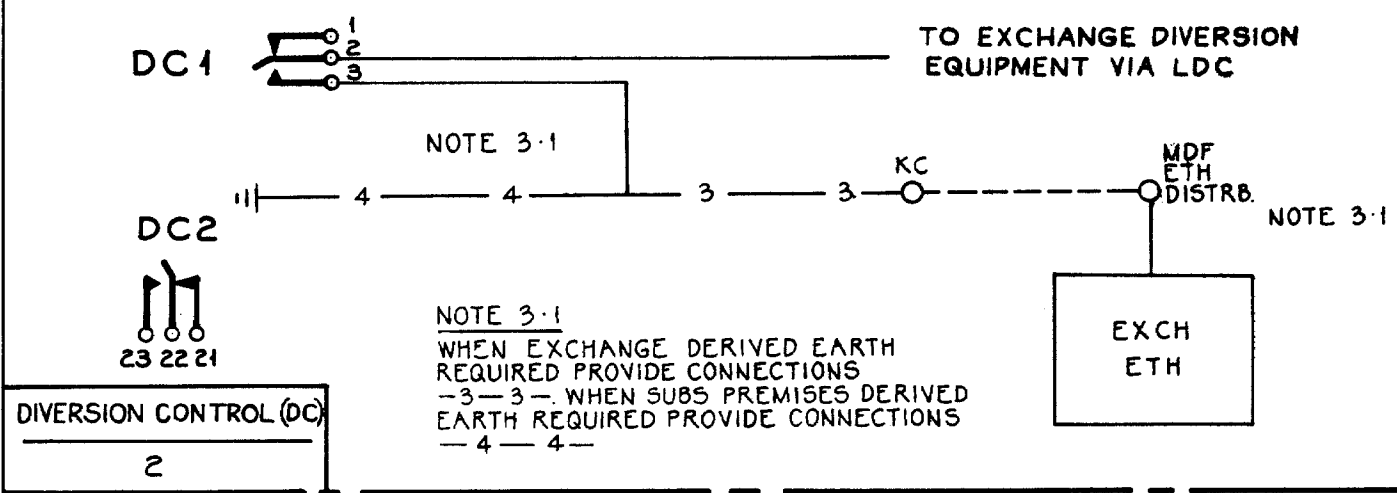


**NOTE**  
2-1: PLATE LAYOUT TO BE ARRANGED AND DESIGNATED IN ACCORDANCE WITH DIVERSION SCHEME REQUIREMENTS.

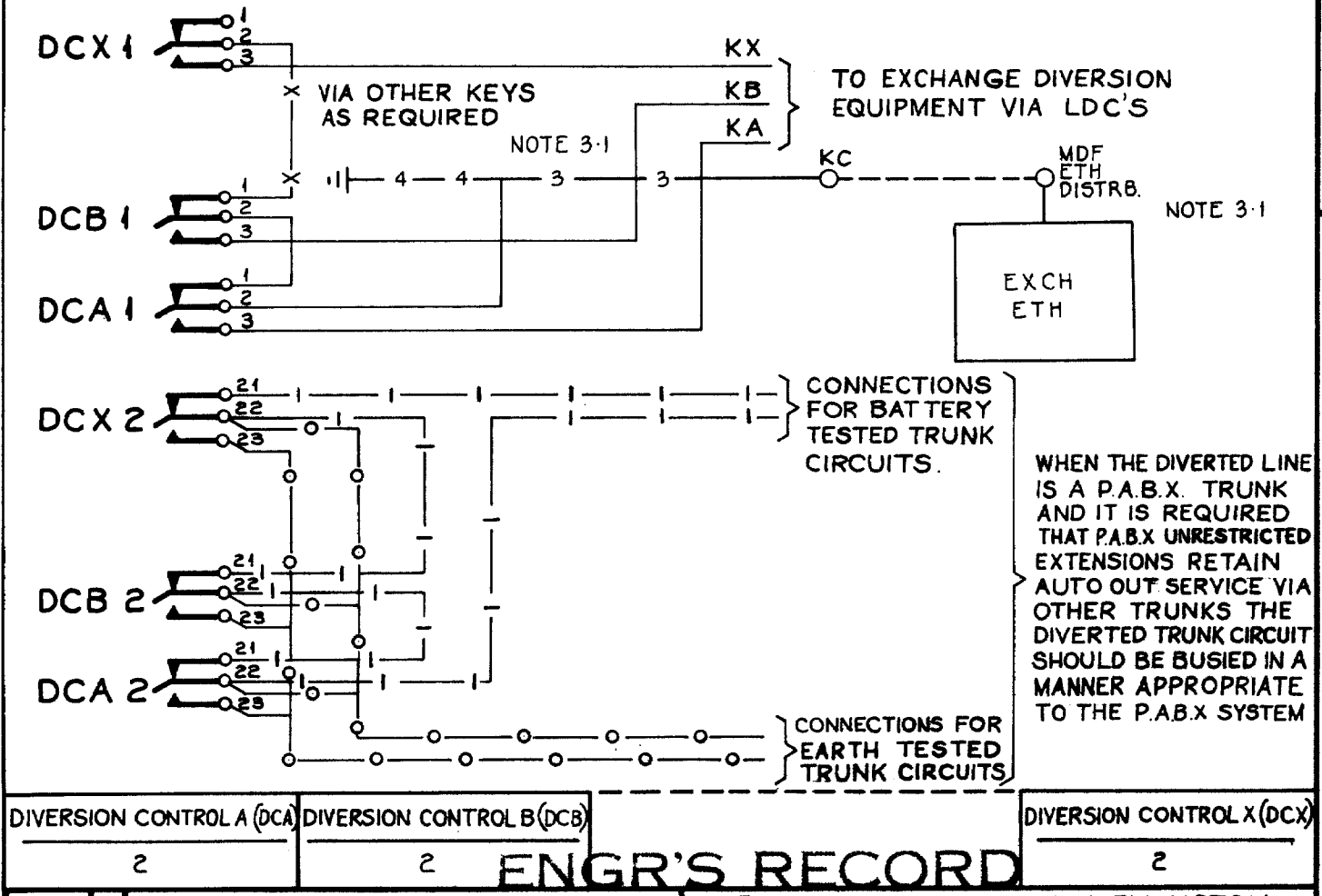
**SUBSCRIBER CONTROLLED  
DIVERSION SERVICE  
U.A.X. NZ 13**

DEL	CKD	APD	ORDER	DATE	ISS	CHANGE	N.Z.P.O.
<input checked="" type="checkbox"/>	<input checked="" type="checkbox"/>	<input checked="" type="checkbox"/>	<input checked="" type="checkbox"/>	30-3-60	A		ENGINEER-IN-CHIEF WELLINGTON
<input checked="" type="checkbox"/>	<input checked="" type="checkbox"/>	<input checked="" type="checkbox"/>	<input checked="" type="checkbox"/>	21-5-70	B	RETRACED FROM ISS A FIG 2 ADDED	COY. NO:
<input checked="" type="checkbox"/>	<input checked="" type="checkbox"/>	<input checked="" type="checkbox"/>	<input checked="" type="checkbox"/>	30-3-73	C	RELAYS HAA, HAB, DIODES DI - DIO & FIG. 3 ADDED ALT. CODE FOR HA RELAY ADDED	ORIGIN: S.S. SECTION
<input checked="" type="checkbox"/>	<input checked="" type="checkbox"/>	<input checked="" type="checkbox"/>	<input checked="" type="checkbox"/>	8-10-81	D	TITLE BLOCK AMENDED	SHT 2 DRAWN: S.S. SECT TRACED: PAW
							A3 30975

**FIG. 3.1 CONTROLLING SUBSCRIBERS PREMISES — SCHEME A**  
**BOTH SUBSCRIBERS PREMISES — SCHEME B**



**FIG. 3.2 CONTROLLING SUBSCRIBERS PREMISES — SCHEME C**



**ENGR'S RECORD**

DATE	ISS	CHANGE
22.7.69	A	
30.3.78	B	RETRACED.
8.10.81	C	NOTE 3.1 ADDED

NZPO ENGINEER-IN CHIEF, WELLINGTON.

**SUBSCRIBER CONTROLLED  
 DIVERSION SERVICE  
 KEY CIRCUITS  
 AT SUBSCRIBERS PREMISES  
 UAX NZ 13**

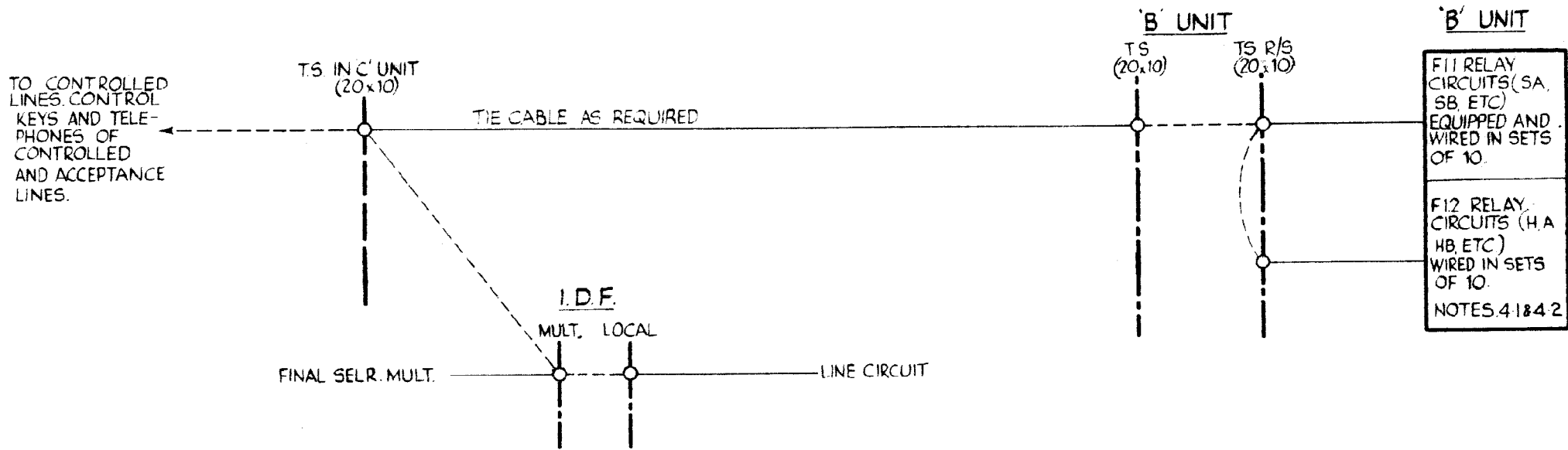
ORIGIN: S.S.

DWN: S.S. TCD: EDR

SHT 3

A4

**30975**



**NOTES**

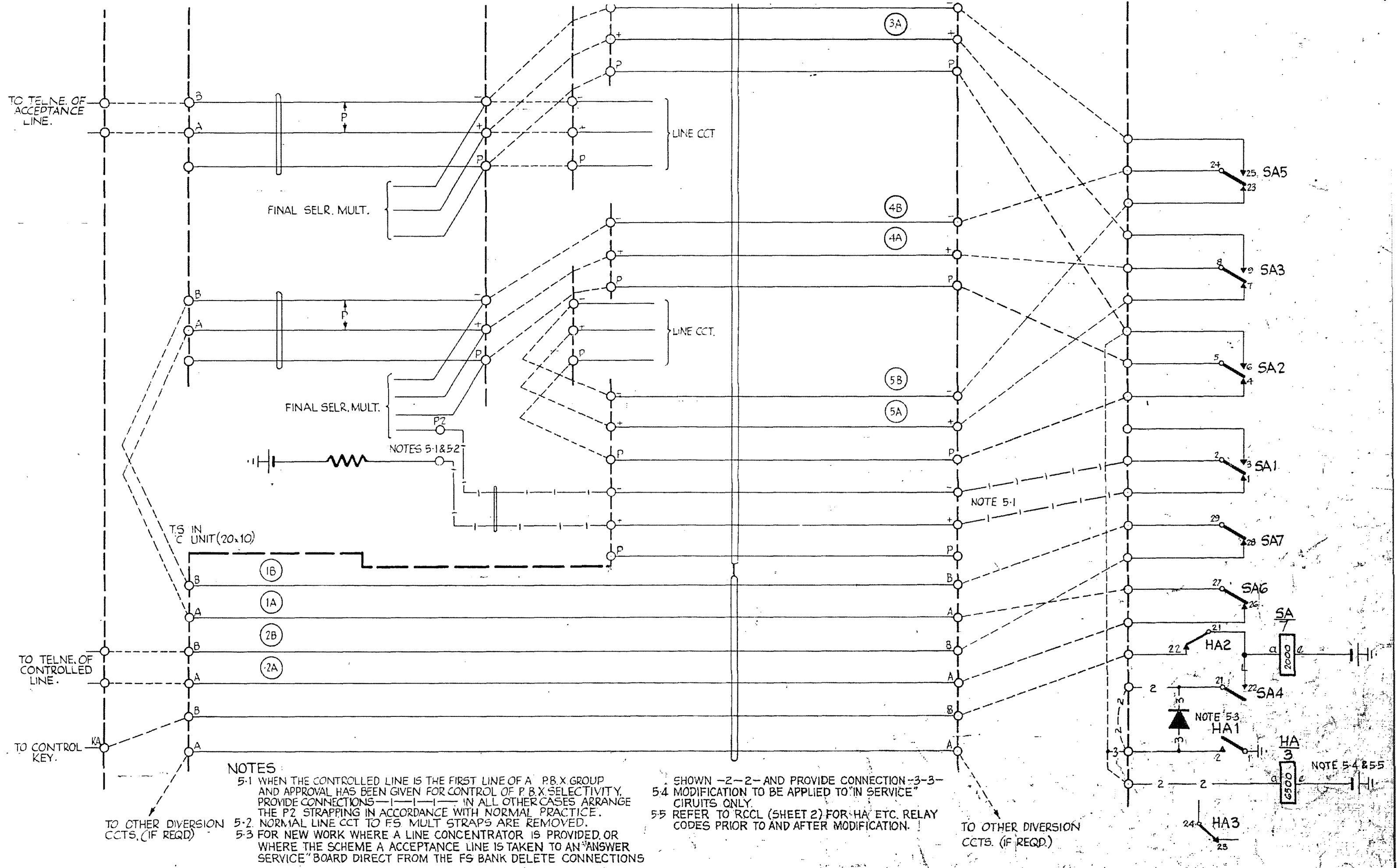
- 4.1 FOR EACH SET OF 10 FIG 11 RELAY CIRCUITS, 5 FIG 12 RELAY CIRCUITS WILL NORMALLY BE SUPPLIED. SURPLUS RELAYS WILL BE REMOVED OR ADDITIONAL ONES SUPPLIED IN ACCORDANCE WITH THE DEMAND FOR EACH OF THE TWO SCHEMES OF DIVERSION SERVICE.
- 4.2 FOR FIG 12 SCHEME 'C', RELAYS HA, HB, HAA & HAB ETC. PROVIDED IN ACCORDANCE WITH DIVERSION SERVICE REQUIREMENTS.

**SUBSCRIBER CONTROLLED  
DIVERSION SERVICE  
EXCHANGE CABLING SCHEME  
UAX NZ13**

ISS	DATE	CHKD	APPD.	DEL	ORDER	CHANGE
A	22-7-61	16-88	# 175	EDR	22318	
B	20-3-78					NOTE 4.2 ADDED
C	19-10-81					TITLE BLOCK AMENDED

NEW ZEALAND POST OFFICE  
ENGINEER-IN-CHIEF, WELLINGTON

ORIGIN	S S SECTION	SIZE	SHEET	30975
		A4	4	
DRAWN	S S SECT.	TRACED	EDR	



**NOTES**  
 5-1 WHEN THE CONTROLLED LINE IS THE FIRST LINE OF A P.B.X. GROUP AND APPROVAL HAS BEEN GIVEN FOR CONTROL OF P.B.X. SELECTIVITY, PROVIDE CONNECTIONS ——— IN ALL OTHER CASES ARRANGE THE P2 STRAPPING IN ACCORDANCE WITH NORMAL PRACTICE.  
 5-2 NORMAL LINE CCT TO FS MULT STRAPS ARE REMOVED.  
 5-3 FOR NEW WORK WHERE A LINE CONCENTRATOR IS PROVIDED, OR WHERE THE SCHEME A ACCEPTANCE LINE IS TAKEN TO AN "ANSWER SERVICE" BOARD DIRECT FROM THE FS BANK DELETE CONNECTIONS

SHOWN -2-2- AND PROVIDE CONNECTION -3-3-  
 5-4 MODIFICATION TO BE APPLIED TO "IN SERVICE" CIRCUITS ONLY.  
 5-5 REFER TO RCCL (SHEET 2) FOR HA' ETC. RELAY CODES PRIOR TO AND AFTER MODIFICATION.

TO OTHER DIVERSION CCTS. (IF REQD)

TO OTHER DIVERSION CCTS. (IF REQD)

**SUBSCRIBER CONTROLLED DIVERSION  
 SERVICE CONNECTIONS  
 SCHEME A DIVERSION  
 UAX NZ 13**

ISS DATE	CHKD	APPD	DEL	ORDER	CHANGE
A 22-7-63					
B 30-3-70					NOTES 5-3-5-5 ADDED
C 15-8-78					CCT, HA1 AMD
D 6-10-81					HA1 AND HA2 CONTACTS AMD

NEW ZEALAND POST OFFICE  
 ENGINEER-IN-CHIEF, WELLINGTON

ORIGIN	S.S. SECTION	SIZE	SHEET	30975	A
		A3	5		
DRAWN	S.S. SECT	TRACED	EDR	B/C	

'B' UNIT

T.S. IN 'C' UNIT (20x10)

LOCAL

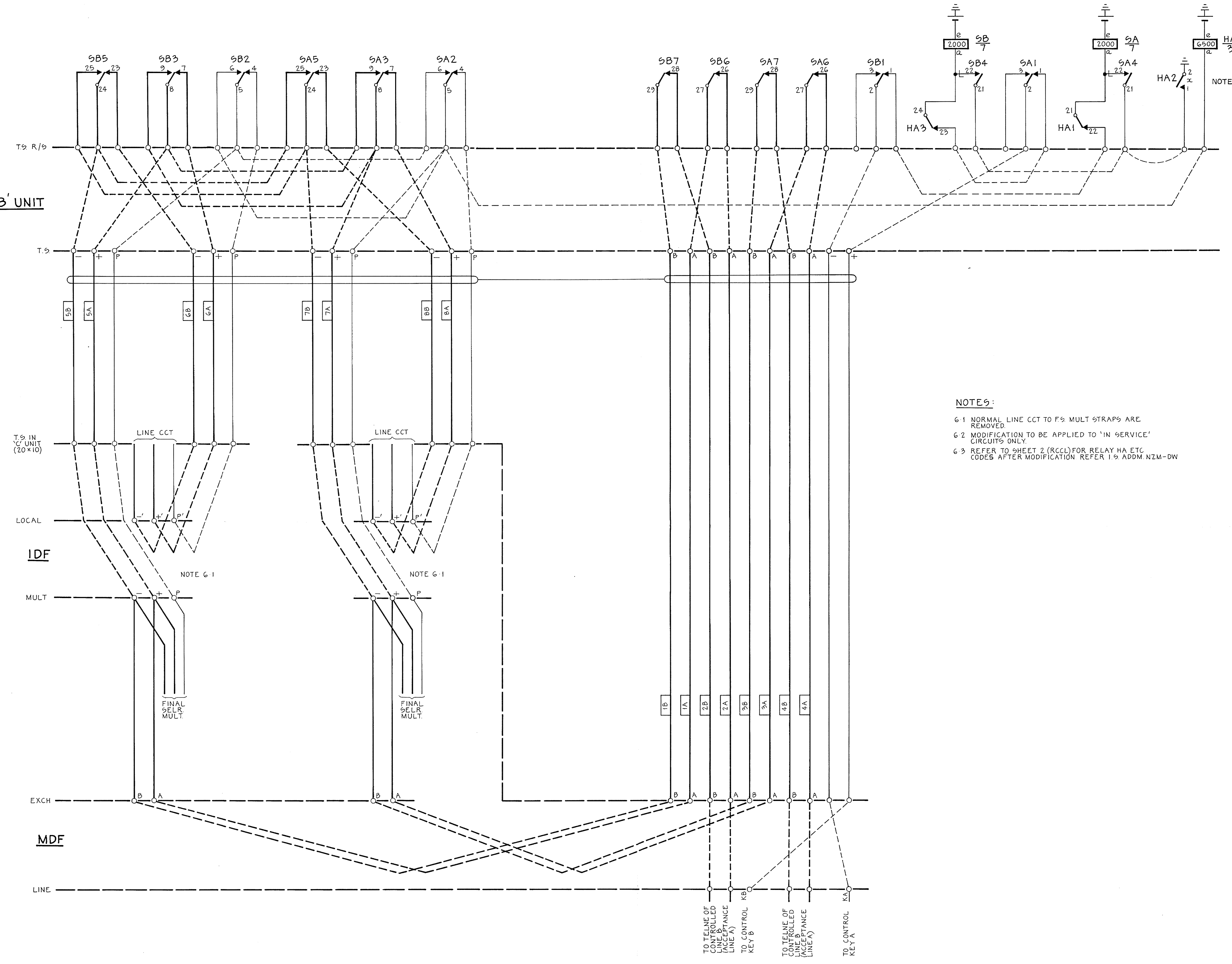
IDF

MULT

EXCH

MDF

LINE



NOTES:

- G 1 NORMAL LINE CCT TO F'S MULT STRAPS ARE REMOVED.
- G 2 MODIFICATION TO BE APPLIED TO 'IN SERVICE' CIRCUITS ONLY.
- G 3 REFER TO SHEET 2 (RCL) FOR RELAY HA ETC CODES AFTER MODIFICATION REFER 1.9 ADDM NZM-DW

NOTE G-1

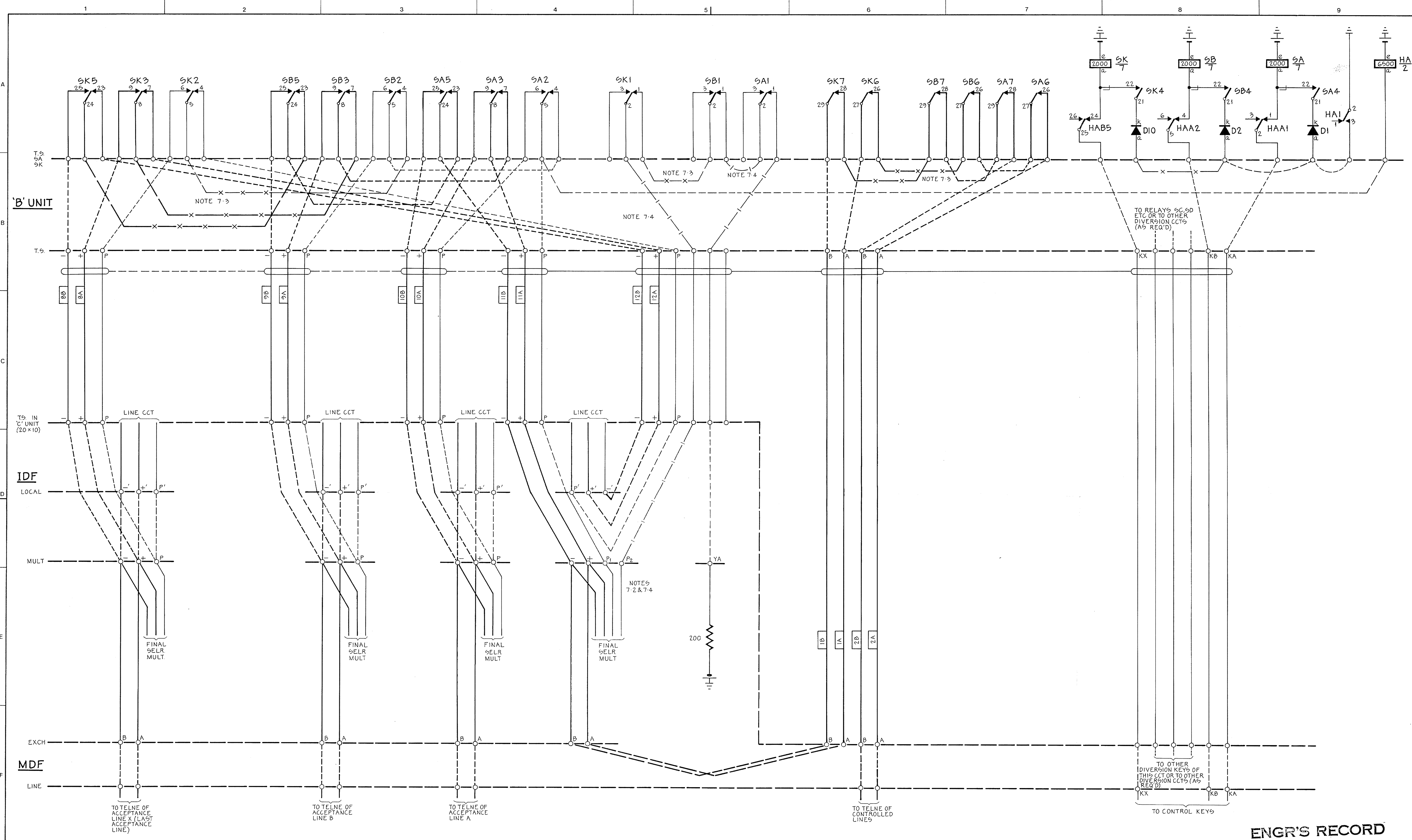
NOTE G-1

NOTE G-3

ENGR'S RECORD

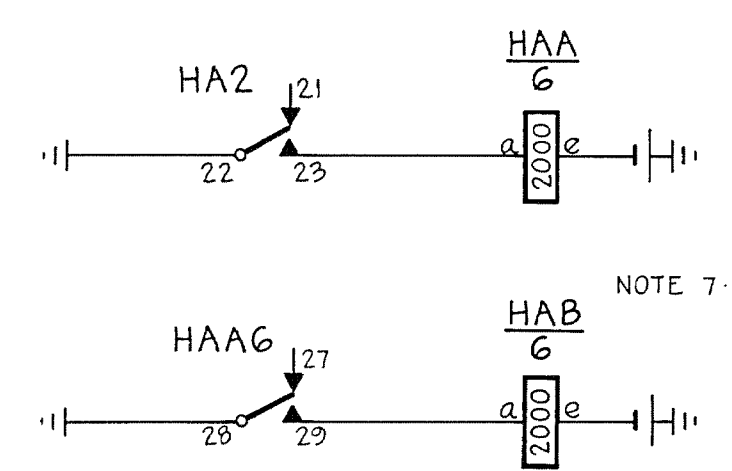
C 21-5-83 REDRAWN FROM 1952 D 8-10-81		
ISS DATE	CHANGE	
DRN: 9.9	CKD	ORIGIN: 9.9
TCD: N.9	APPD	STANDARD
NZPO ENGINEER-IN-CHIEF, WELLINGTON		
SHT: 6	30975	
SIZE: A1		

SUBSCRIBER CONTROLLED  
 DIVERSION SERVICE CONNECTIONS  
 FOR SCHEME 'B' DIVERSION  
 UAX NZ13



- NOTES**
- 7.1 FUSING 1.5A PER 10 SA-SB RELAYS, FUSE HA, HAA etc WITH ASSOCIATED SA RELAY
  - 7.2 NORMAL LINE CCT TO F5 MUST STRAPS ARE REMOVED
  - 7.3 CONNECTIONS SHOWN -X-X- ARE ROUTED THROUGH OTHER ACCEPTANCE SWITCHING RELAYS AS REQUIRED
  - 7.4 WHEN THE CONTROLLED LINE IS THE FIRST LINE OF A PBX GROUP AND APPROVAL HAS BEEN GIVEN FOR THE CONTROL OF PBX SELECTIVITY (SEE ED 2025 CLAUSE 7.3) PROVIDE CONNECTIONS -| -| -| IN ALL OTHER CASES ARRANGE THE P2 STRAPPING IN ACCORDANCE WITH NORMAL PRACTICE
  - 7.5 EACH HAA, HAB RELAY SERVES 5 SA, SB etc RELAYS

BATT. BK 0.7mm. 12B FUSE V-5Ae-HAe-HAAe-SBe-ScE-HABe-SDe TO SKe  
 ETH.R 0.7mm. 13A ETH BAR R-HA22-HA2-HAA2B



TO OTHER DIVERSION KEYS OF THIS CCT OR TO OTHER DIVERSION CCTS (AS REQD)  
 TO CONTROL KEYS

**ENGR'S RECORD**

E 31-5-83 REDRAWN FROM 199 D B 10 B1		
ISS DATE	CHANGE	
DRN: S.S.	CKD	ORIGIN: S.S.
TCD: N.S.	APPD	STANDARD
NZ PO ENGINEER-IN-CHIEF, WELLINGTON		
SHT: 7	30975	
SIZE: A1		

**SUBSCRIBER CONTROLLED  
 DIVERSION SERVICE CONNECTIONS  
 FOR SCHEME 'C' DIVERSION  
 UAX NZ13**