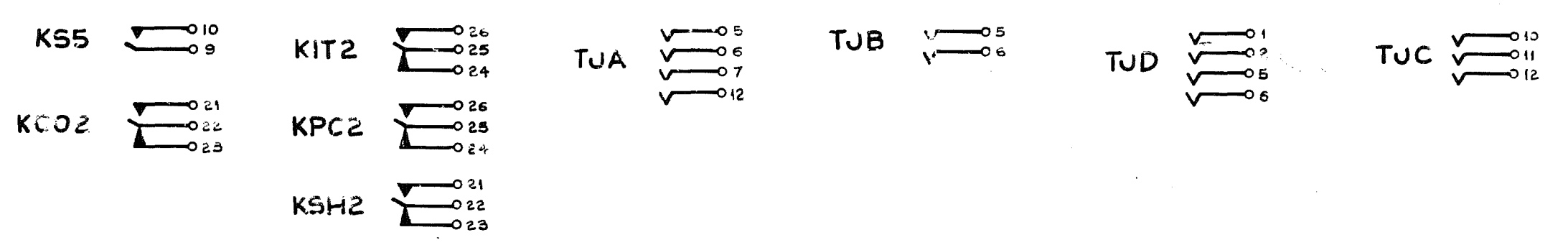
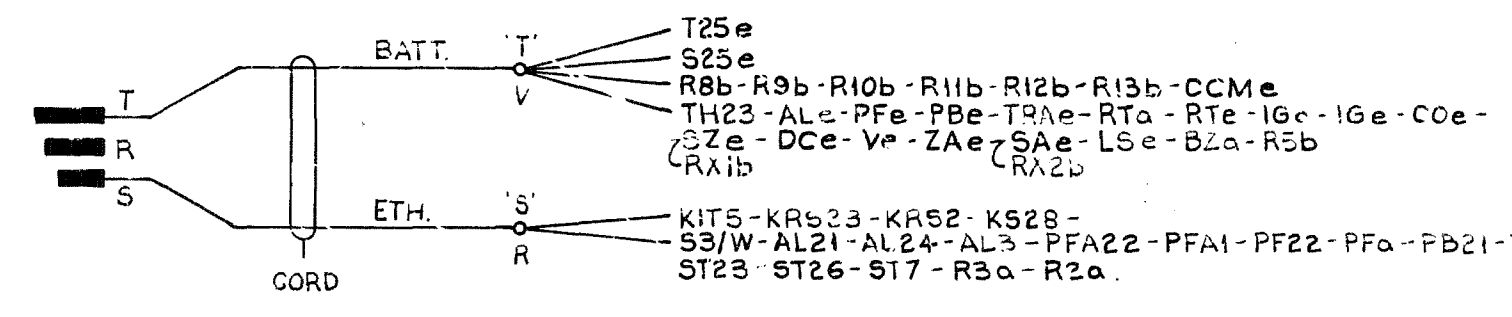


- NOTES:**
- 1-1 STRAP C3, C2 & C1 AS REQUIRED TO PULSE I6 AT 10 PPS. WITH KIT OPERATED.
  - 1-2 WHEN USED FROM SUBS LINE COT CONNECTIONS ARE MADE ON SUBS I.D.F. AND M-M STRAP IS DISCONNECTED.
  - 1-3 2<sup>ND</sup> HUNDRED KEY (KSH) ONLY USED WHEN TESTER IS PLUGGED INTO A FINAL SELR AND 2<sup>ND</sup> HUNDRED N<sup>O</sup> REQD.
  - 1-4 UNLESS OTHERWISE SPECIFIED ALL WIRING TO BE 25 SWG.
  - 1-5 WHEN DELAY BETWEEN SEIZURE & DIALING IS REQUIRED, INSERT TEST LINK IN TJC7 & 8. WHEN DELAY IS NOT REQUIRED, INSERT TEST LINK IN TJC8 & 9.
  - 1-6 RELAYS I6 AND RT ARE DIFFERENTIALLY CONNECTED.



**AUTOMATIC CALLING EQUIPMENT**

DEL. CKY. ORDER DATE ISS	CHANGE	N Z P O
2213 4-12-78		ENGINEER-IN-CHIEF WELLSINGTON
RETRACTED FROM IND. E. OF 9-7-78		COY NO
NOTE 1-5 REVISED TJA-7 REPLACED BY TJC7-9 FOR 'NO DELAY'		ORIG. INSTR. P.E.
PHYSICAL EARTH WAS NOT SHOWN		1 OF 2 DRAWN: TEGPT TRACED: P.E.
RELAY PF CODE CHANGED NZM-TU		A1 29613

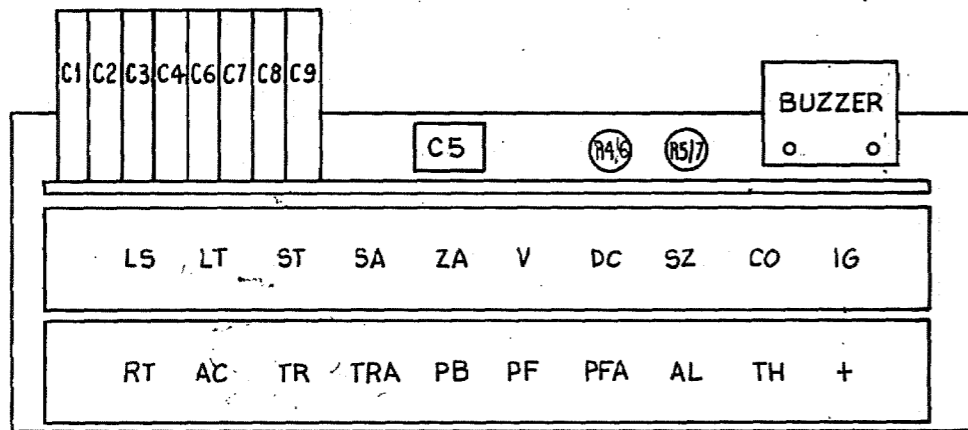
RELAY CODES AND COMPONENTS LIST

RELAY NAME	B.C.C. CODE	N.Z.P.O. CODE	B.P.O. CODE	COY. CODE	NOTES	STOCK LIST N <sup>o</sup>	COMPONENT DESIGNATION	B.P.O. CODE	COY. CODE	NOTES	STOCK LIST N <sup>o</sup>	MISC. COMPONENTS	NOTES	STOCK LIST N <sup>o</sup>
AC	B4035					L37	R1	6		100 <sup>u</sup>	KB116	MTG. PLATE	F151/10AV	LH656
AL	B2182					L105G	R2, R3	6		200 <sup>u</sup>	KB169	METER	CALL COUNT	K740A
CO		50005 BB				L100C	R4	9		500 <sup>u</sup>	KB279	LAMP STRIP	LPI - LP20	K270
DC		50006BB				L102D	R5	9		1.2K	KB357	WAFER SWITCH	SW1 - 6	EL167
IG	B5616P					L174F	R8 - R13	35B		1.15K	KB351	KEYS LEVER	K5 + KR5	K514
LS	B2017					L97D	C1	115		0.25 $\mu$ F	KC156	KEYS LEVER	KCO + KIT; KSH+KPC	K498
LT	B6587					L58	C2 - C3	100		0.5 $\mu$ F	KC185	LAMP CAPS	LPI - LP20	K671
PB	B7798					L312U	C4, C6, C7	101		1 $\mu$ F	KC250	LAMPS	2.6V	K716
PF	HSD 716					LD89	C8, C9	102		2 $\mu$ F	KC313	MTG. POST	2 1/2"	KB9A
PFA	HSD505					LD64A	C5	103C		4 $\mu$ F	KC387	TEST JACK	12 Pt TJA, TJC	LH538
RT		54092 AB				L182F	RX1&2	2		ATMITE	K996	TEST JACK	6 Pt TUB, TJD	LH539
SA	B2017					L97D	D1 - D6		IN 4-003 OR EQUIV.	DIODE	K905	KEY MTG.	PLATE	K421
ST		50535AA				L79E	U/S T25	2/820A		MECH. ASSY.	LG127	SPRINGS	U/S MTG.	LG128
SZ	B50148					L74D	U/S T25			BANK ASSY. 2/60	LG104	SCREWS	U/S MTG.	LG129
TH	B6291					LD626	U/S T25			CLAMP 1/DCL/72	LG115	SCREWS	U/S MTG.	LG129A
TR	B2408					L25	U/S S25	2/620A		MECH. ASSY.	LG126	SCREWS	CLAMP	LG162
TRA	B1467					L354	U/S S25			BANK 2/46	LG102	SCREWS	CLAMP	LG173
V		50534 MB				L410H	U/S S25	2/423A		WIPERS	LG196C	LAMP STRIP	1-10 : 11-20	K191
ZA	B75299P					L410E	U/S T25	2/625A		WIPERS	LG201D	KNOBS	SW 1-6	EL85
							R6	9		200 <sup>u</sup>	KB170	HANDLES	KEYS	K534
							R7	12		100 <sup>u</sup>	KB118	BUZZER	BZ	K33

NOTES

A - SPECIAL FACTORS OF SAFETY B - SPECIAL ADJUST. C - CCT. POINTS OR MODS.

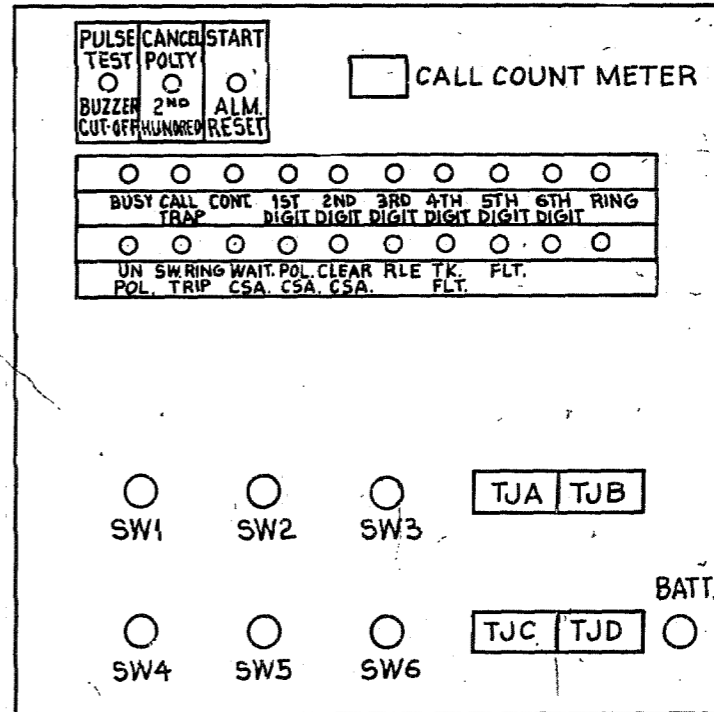
LAYOUT



EQUIP. SIDE LAYOUT

NOTES:

2-1 FOR ALL OTHER EQUIPMENT & MTG. DETAILS REFER NZ TP 542



FRONT PANEL LAYOUT

**AUTOMATIC CALLING EQUIPMENT**

DEL	CKD	APD	ORDER	DATE	ISS	CHANGE	N.Z.P.O. ENGINEER-IN-CHIEF WELLINGTON
A.P.	N.G.	C.J.W.	86400	10-2-70	C		COY. No.:
RE.	JHE	COW	2213	22-11-72	F	RETRACED FROM ISS. E OF 8-3-72. TJC NOW 12 PT. JACK.	ORIGIN: T-EQPT.
RE.	GRH	CJW	122057	24-8-73	G	NO CHANGE SHFT 1 A.M.D.	DRAWN: T-EQPT.
JLR.	WAH	J.R.	193683	31-7-80	H	RELAY PF CODE CHANGED NZM-TU.	TRACED: P. E.

2 of 2  
A3

29613