

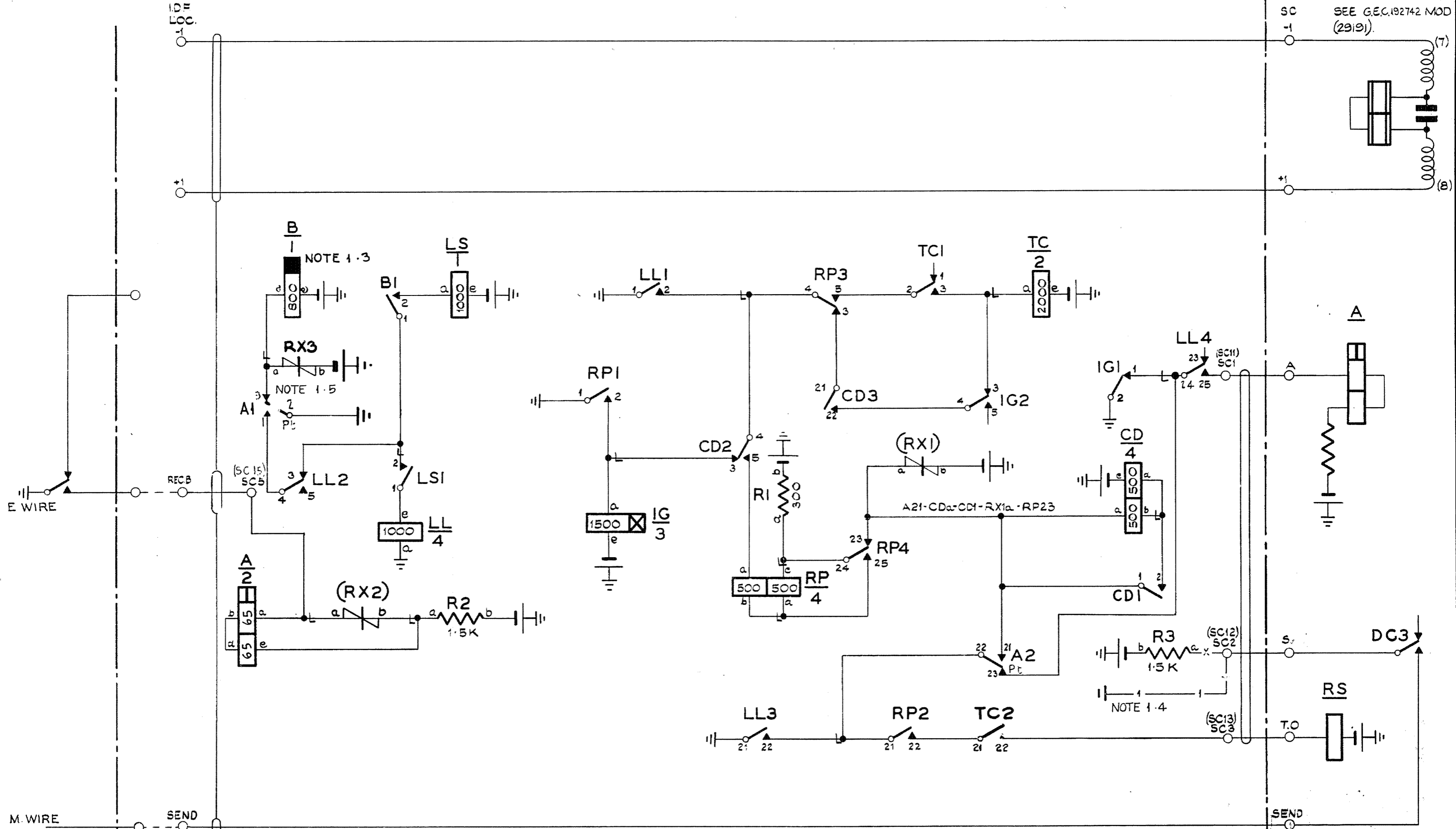
SHT. No	SIZE	SUB-TITLE	ISSUE		
1	S	SCHEMATIC 2W 50V	E	F	G
2	M	SCHEMATIC FIG.1 RAX. 4W 50V.	A	B	C
3	S	RCCL (SHT.1)	A	B	C
4	M	SCHEMATIC FIG.2 UAX 4W 50V.	A	B	C
5	F	SCA BLOCK (FIGS. 1 & 2)	A	B	
6	S	RCCL (FIGS.1-2)	A	B	C
7					
8					
9					
10					
11					
12					
13					
14					
15					
16					
17					
18					
19					
20					
21					
22					
23					
24					
25					
26					
27					
28					
29					
30					

NOTES

- SHEET 1 NOT TO BE USED FOR NEW WORK
FOR UAX USE 36603
FOR RAX USE SHT. 2
FOR CEP SKILLMAN CARRIER SYSTEM USE 28319 SHT. 2
- SHEET 4 ONLY USED ON UAX WHEN GBW 14451 MOD B USED
REPLACED FOR NEW WORK BY 36603

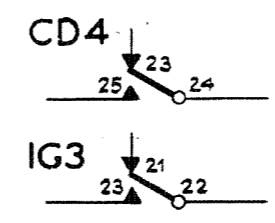
MASTER TRACING 33800

DEL	CKD	APD	ORDER	DATE	ISS	CHANGE	N Z P O ENGINEER-IN-CHIEF WELLINGTON		
AP	KG	CJW	13011	10-11-69	A	SHTS 2-6 & IND. ADDED. SHT. 1 AMENDED.	ADAPTOR CCT. RAX OR UAX LIMITED FACILITY JUNCTION RURAL CARRIER (INDEX SHEET)		
PAW	KG	CJW	39594	19-7-71	F	SHTS 1-4 & 6 AMENDED.			
PMC	KG	CJW	2097	4-10-72	G	SHEETS 1-6 AMENDED.			
							COY. No:	IND	28293
							ORIGIN: T-EQPT.		
							DWN: T-EQPT. TCD: A.P.		



- NOTES:
- 1.1 FUSING 1.5A PER CCT.
 - 1.2 PLATE WIRING 25 SWG.
 - 1.3 RELAY 'B' IS NORMALLY OPERATED
 - 1.4 WIRE AS REQUIRED FOR CARRIER SYSTEM PROVIDED.
 - 1.5 RX3 PROVIDED ON ALL EXISTING CCTS USED WITH FUJITSU CARRIER SYSTEMS

- (1B) BATT (CCT1) BK 20 SWG FUSE-SC31
 - (1A) EARTH (CCT1) R 20 SWG ETH.BAR-SC33
 - (2B) BATT (CCT2) BK 20 SWG FUSE-SC41
 - (2A) EARTH (CCT2) R 20 SWG ETH.BAR-SC43
- BATT(W)SC31(SC41)-Be-1Ge-L3e-TCe-(R3b)
 CDc-R1b-R2b
 RX1b
 A2-LL21-LLa-LL1-RP1
 132
 (SC2, SC12)



NOT TO BE USED FOR NEW WORK
(DRG. 36603 NOW COVERS U.A.X. REQUIREMENTS)
(DRG. 28293 SHT. 2 NOW COVERS RAX REQMTS)

ADAPTOR CIRCUIT
RAX OR UAX. LIMITED FACILITY JUNCTION
RURAL CARRIER SYSTEM

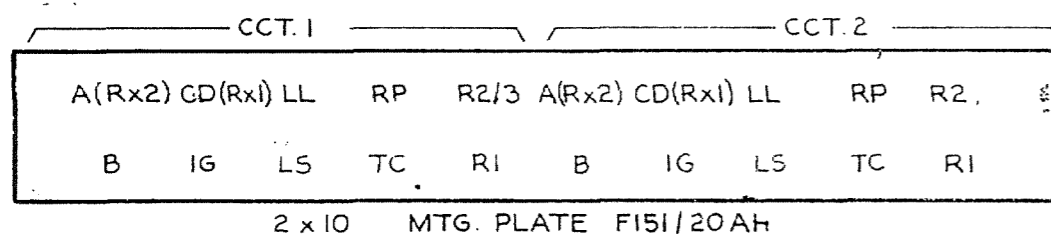
ISS	DATE	CHKD.	APPD.	DEL.	DRG#	CHANGE
A	1-7-60	1/1/1	1/1/1	1/1/1	1/1/1	REFERENCE TO RAX ADDED
B	3-8-61	1/1/1	1/1/1	1/1/1	1/1/1	RESTRICTION OF USE INFORMATION ADDED
C	5-8-64	N.T.E.	1/1/1	1/1/1	1/1/1	ADDED NOTE 3 AND REFS TO E-WIRE & M-WIRE ADDED
D	12-12-64	N.T.E.	1/1/1	1/1/1	1/1/1	MINOR AMENDMENT
E	10-11-69					RESTRICTION OF USE INFORMATION & TITLE AMENDED
F	12-7-71					RY3 & NOTES 1.4 & 1.5 ADDED
G						A RELAY NOT BEING REVISED

NEW ZEALAND POST OFFICE ENGINEER-IN-CHIEF, WGTN.	
REFERENCE	SIZE SHEET
ORIGIN	TEL-EQPT-SEC
COY. NO.	
DRAWN/TEL-E-SEC	TRACED/1/1
S 1 28293	

RELAY CODES AND COMPONENTS LIST

RELAY NAME	B.C.C. CODE	N.Z.P.O. CODE	B.P.O. CODE	COY. CODE	NOTES	S/L	COMPONENT DESIGNATION	B.P.O. CODE	COY. CODE	NOTES	S/L	MISC. COMPONENTS	NOTES	S/L	
A	HSD 710		3/412 K		B, 3-1	LD 90B	RI	9		300~	KB 226	RESIS. POSTS	2 1/2"	KB 9A	
B	4034		3261			L3N	R2 - R3	12		1.5K	KB 371B				
CD		5410 IAD7				L172 F									
IG		50262 GD5				WS	RX1 - RX3	2		RESISTOR NON LINEAR NOTE 1.5	K996				
LL		50051BB				L76 E									
LS	B6119		4296			L73									
RP		5410IAD7				L172 F									
TC		50182 AB				L98F									
NOTES															
A- SPECIAL FACTORS OF SAFETY B- SPECIAL ADJUST. C- CCT. POINTS OR MODS.															

LAYOUT



NOTE :-

3-1 ON EARLIER EQUIPMENT A RELAY CODED HSD 702 WAS PROVIDED.

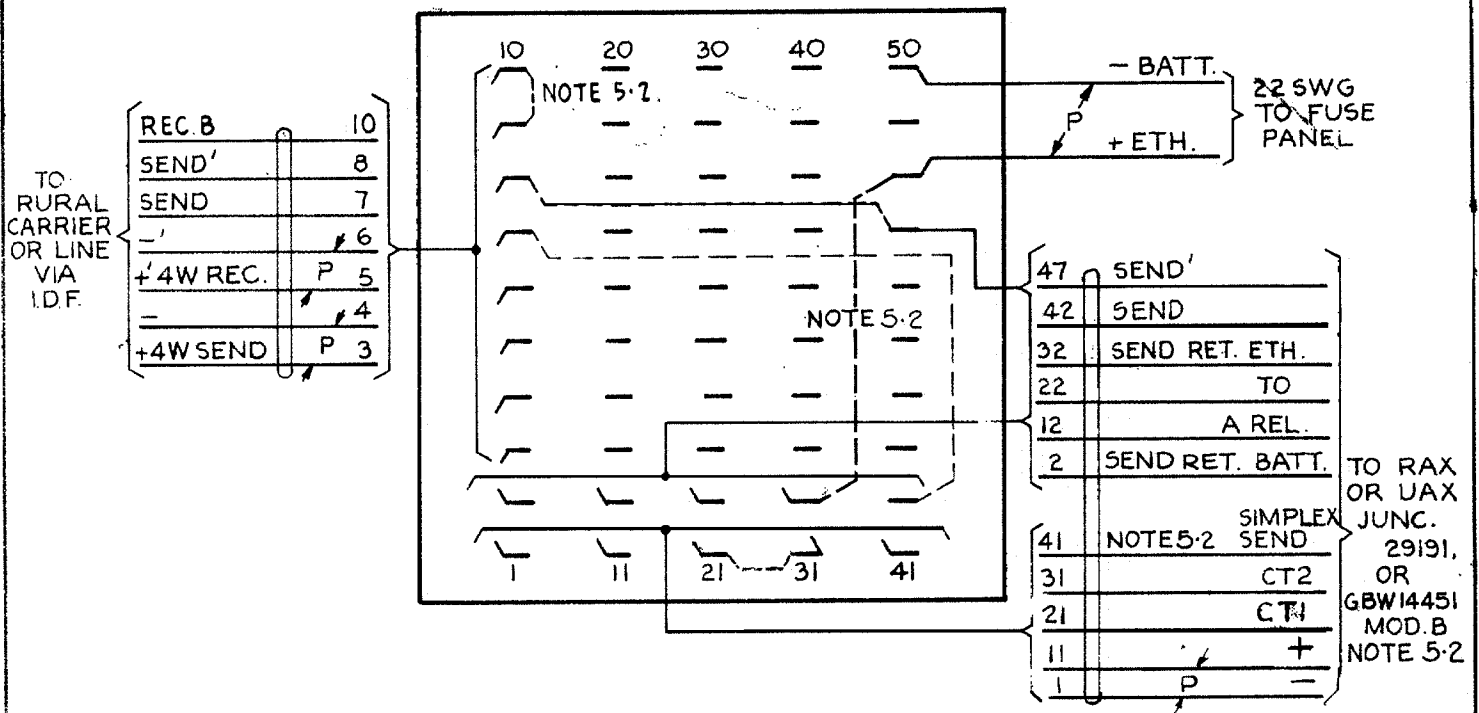
NOT TO BE USED FOR NEW WORK

ADAPTOR CIRCUIT RAX OR UAX
LIMITED FACILITY JUNCTION
RURAL CARRIER

DEL	CKD	APD	ORDER	DATE	ISS	CHANGE	N.Z.P.O.
			1301	10.11.69	A	FORMERLY 28292	ENGINEER-IN-CHIEF WELLINGTON
				12.7.71	B	RX3 ADDED	COY. NO.:
				4.10.72	C	NOTE 31 & S/L ADDED.	ORIGIN: T-EQPT.
							SIZE SHT
							3
							DRAWN: T-EQPT. TRACED: AP
							28293

28433 MASTER TRACING

SCA



NOTES

- 5-1 ALL WIRING TO BE 25 SWG UNLESS OTHERWISE SPECIFIED.
- 5-2 FOR STRAPPING & WIRING DETAILS SEE SHTS 2 & 4, NOTES 2-4, 2-5, 4-4 & 4-5.

DEL.	CKD.	APD.	ORDER	DATE	ISS	CHANGE	N.Z.P.O. ENGINEER-IN-CHIEF WELLINGTON	
AP			13011	10.11.69	A		ADAPTOR CCT. RAX OR UAX, LIMITED FACILITY JUNCTION RURAL CARRIER	
				4.10.72	B	REC. A LEAD DELETED		
						COY. NO:	SIZE	SHY
						ORIGIN: T-EQPT.	F	5
						DWN: T-EQPT. TCD: AP	28293	

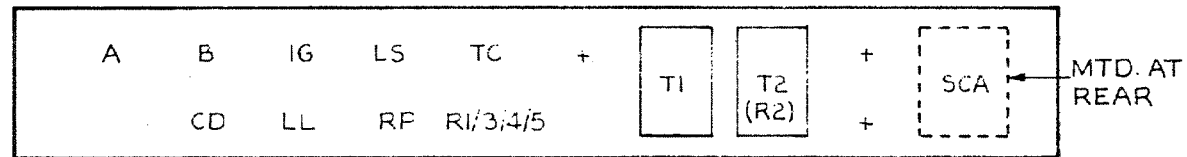
RELAY CODES AND COMPONENTS LIST

RELAY NAME	B.C.C. CODE	N.Z.P.O. CODE	B.P.O. CODE	COY. CODE	NOTES	COMPONENT DESIGNATION	B.P.O. CODE	COY. CODE	NOTES	MISC. COMPONENTS	NOTES					
A	HSD 710				B	LD 90B			TI - T2	TRIMAX	TRANSFORMER TA 2272	CA12	TERM. STRIP	121 (SCA)	LH 205	
									R1	9	300 ~	KB226	MTG. BKT.	121A	LH138	
B	B4034		3261			L 311			R2		RADIO TYPE	620 ~ 1/4 W 1% MTD. T2	ER 853K	TERM. STRIP	1/DST/844 (SCB)	LH814
CD		54101 AD7				L172F			R3 - R4	12	1.5K	KB 371B	RESIS. POST.	3.5"	KB 9B	
IG		50262 GD5				W5							H/S. REL. COVER	BW A	LD 72B	
LL		5005 IBB				L76E										
LS	B 6119		4296			L73										
RP		54101 AD7				L172F			RX1 - RX2	2	RESISTOR, NON LINEAR NOTES MTD SCB & B RELAY 2.6846	K996				
TC		50182 AB				L98F										
									D1		IN 4003		DIODE MTD. SCB.		K905	
									D3		IN 4003		DIODE MTD. LL		K905	

NOTES
A - SPECIAL FACTORS OF SAFETY B - SPECIAL ADJUST. C - CCT. POINTS OR MODS.

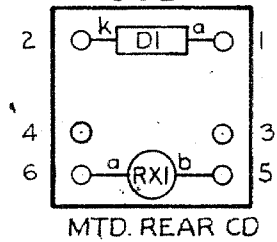
LAYOUT

LAYOUT FRONT VIEW



2x10 MTG. PLATE F151/20 AH S/L LH661

SCB



MTD. REAR CD

**ADAPTOR CIRCUIT RAX OR UAX
LIMITED FACILITY JUNCTION
RURAL CARRIER**

DEL	CKD	APD	ORDER	DATE	ISS	CHANGE	N.Z.P.O.
			13011	10-11-69	A		ENGINEER-IN-CHIEF WELLINGTON
				9-7-71	B	RX2 ADDED	
				4-10-71	C	RELAY AA, RESISTOR R5 & DIODE D1 DELETED	
							COY. NO.
							ORIGIN. T. EQTY.
							SIZE SHT
							DRAWN T. EGPT. TRACES
							28293

28433 MASTER TRACING