

FIG. 1.

RELAY CODE
RR=500 70 AB.

O= TERMINAL STRIP
WHERE SPECIFIED.

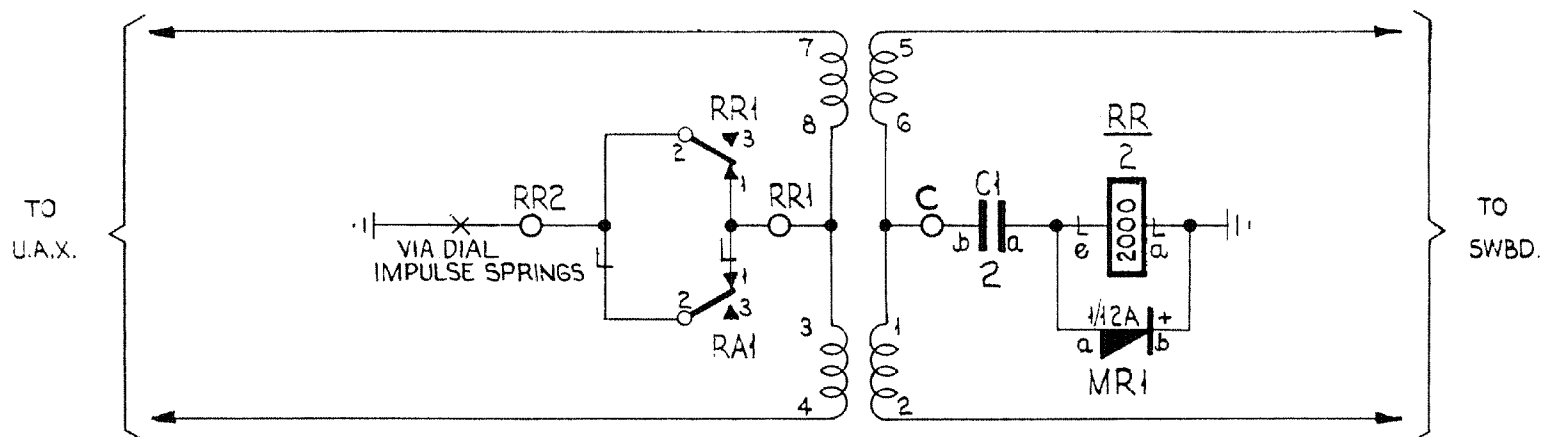
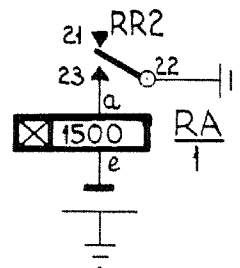


FIG. 2.



O= TERMINAL STRIP
WHERE SPECIFIED.

RELAY CODES
RA=50015KB
RR=50004BB
FUSING: AS SPECIFIED

REQUIRED ON JUNCTION CIRCUITS TO A UAX. WITH
AN ATTACHED R-UNIT, OR TO A REMOTE R-UNIT.

ISS	DATE	CHKD	APPD	DEL	ORDER	CHANGE	NEW ZEALAND POST OFFICE ENGINEER-IN-CHIEF, WELLINGTON.	
A	10-9-59	M.W.F.	L.V.A.	P.V.	33844		RE-RING GUARD CIRCUIT FOR U.A.X. JUNCTIONS	
B	17-7-62	L.A.J.	L.V.A.	P.V.	63405	MINOR CORRECTIONS, NOTE AMENDED.		
							SIZE SHEET	27643 A
							F 1 OF 1	
							ORIGIN	TEL. EQPT. SECTION
							DRAWN	TELEQ. SEC. TRACED BY.
							B	