

SHT No	SIZE	SUB-TITLE	ISSUE					
1	S	GENERAL APPLICATION USING R/C DELAY CIRCUIT. (FIG.1)	K					
2	S	UAX APPLICATION USING R/C DELAY CIRCUIT. (FIGS.2&3)	K					
3	A3	GENERAL APPLICATION USING ELECTRONIC TIMER. (FIG.4)	K					
4	A3	UAX APPLICATION USING ELECTRONIC TIMER (FIGS.5&3)	A					
5	A3	RELAY CODES AND COMPONENTS LIST. (FIGS.1&2)	A					
6	A3	RELAY CODES AND COMPONENTS LIST. (FIGS.4&5)	A	B				
7								
8								
9								
10								
11								
12								
13								
14								
15								
16								
17								
18								
19								
20								
21								
22								
23								
24								
25								
26								
27								
28								
29								
30								

NOTES

1. SHEETS 1 & 2 NOT TO BE USED FOR NEW WORK.

MASTER TRACING, 338 00.

DEL	CKD	APD	ORDER	DATE	ISS	CHANGE	N Z P O ENGINEER -IN-CHIEF WELLINGTON	
AJB	GRH	CJW	122394	19-11-74	K	SHTS 1-3 AMD. SHTS 4-6 & IND ADD.	<p align="center">FIRE CALL-OUT SCHEME 'E'</p> <p align="center">(INDEX SHEET)</p>	
R.G.M	BHT	CJW	68172	3-10-75	L	SHT. 6 AMD		
							COY. No:	<p align="center">IND</p> <p align="center">A4</p> <p align="center">25947</p>
							ORIGIN: T-EQPT.	
							DWN: T-EQPT TCD: AJB	

FROM F.S. MULT
TERMINALS OF NON-
LISTED CALL-OUT
NUMBER
NOTE 1/4

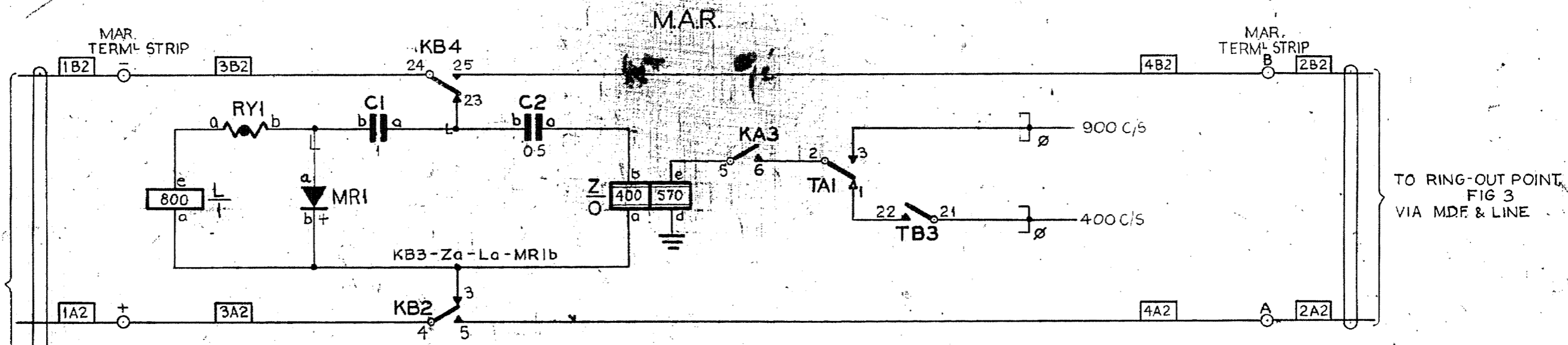


FIG. 1 AUTO. EXCHANGE EQUIPMENT

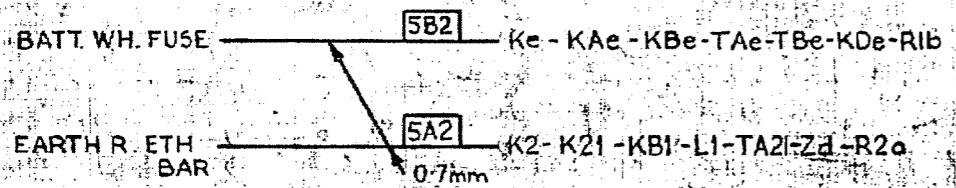
NOTES

1. 1. FUSE 1.5 A PER CCT.
1. 2. ALL WIRING TO BE 0.5mm UNLESS OTHERWISE SPECIFIED.
1. 3. Ø FOR WIRING AT U.A.X. SEE GBW 13730. AT ALL OTHER EXCHANGES SEE GBW 10690 OR EQUIVALENT.
1. 4. AT UAX. NO JUMPER IS TO BE PROVIDED ON THE I.D.F. BETWEEN THE F.S. MULT TERMINALS AND A LINE CCT. AT ALL OTHER EXCHANGES CUT STRAPS ON FS. BANK MULT. STRIP CONN. TO SPLIT CALLING & CALLED EQUIPT.
1. 5. ON SOME EARLY INSTALLATIONS 1µF CAPACITOR & CONNS -1-1- PROVIDED. FOR NEW WORK PROVIDE CONNS -2-2-.
1. 6. RING-OUT RELAY AND RECTIFIER ARE S/L A666 MERCURY CONTACT UNIT IS IM 15 AMP S/L AF 729.
1. 7. STRIP CONNECTION TERMINALS MAY NOT HAVE BEEN PROVIDED ON SOME EARLY UAX WORK.

APPLICATION

FOR REMOTE CONTROL OF FIRE SIREN OVER THE NORMAL TELEPHONE NETWORK FROM THE GROUP CENTRE TOLL EXCHANGE FIG. 1 IS USED AT ALL EXCHANGES OTHER THAN U.A.X.

NOT TO BE USED FOR NEW WORK.



FIRE CALL-OUT
SCHEME E

(WITH CAPACITOR/RESISTOR TIME DELAY CIRCUIT)

NO.	DATE	CHKD.	APPD.	DEL.	ORDER	CHANGE
1	1957	NCE	W.D.	1/1	1/1	
2	1964	NCE	W.D.	1/1	1/1	RETRACTED FROM ISSUE OF 21.3.60 WAS ONE SHIT. CIL NO. CHANGED C2 & R2 ADDED AFTER MODERNISING ARRANGEMENTS
3		NCE	W.D.	1/1	1/1	NOTE B AMENDED. NOTES C & D WERE NOTED
4		NCE	W.D.	1/1	1/1	NOTE A DELETED
5		NCE	W.D.	1/1	1/1	NOTE C DELETED
6		NCE	W.D.	1/1	1/1	NOTE D DELETED
7		NCE	W.D.	1/1	1/1	NOTE E DELETED
8		NCE	W.D.	1/1	1/1	NOTE F DELETED
9		NCE	W.D.	1/1	1/1	NOTE G DELETED
10		NCE	W.D.	1/1	1/1	NOTE H DELETED
11		NCE	W.D.	1/1	1/1	NOTE I DELETED
12		NCE	W.D.	1/1	1/1	NOTE J DELETED
13		NCE	W.D.	1/1	1/1	NOTE K DELETED
14		NCE	W.D.	1/1	1/1	NOTE L DELETED
15		NCE	W.D.	1/1	1/1	NOTE M DELETED
16		NCE	W.D.	1/1	1/1	NOTE N DELETED
17		NCE	W.D.	1/1	1/1	NOTE O DELETED
18		NCE	W.D.	1/1	1/1	NOTE P DELETED
19		NCE	W.D.	1/1	1/1	NOTE Q DELETED
20		NCE	W.D.	1/1	1/1	NOTE R DELETED
21		NCE	W.D.	1/1	1/1	NOTE S DELETED
22		NCE	W.D.	1/1	1/1	NOTE T DELETED
23		NCE	W.D.	1/1	1/1	NOTE U DELETED
24		NCE	W.D.	1/1	1/1	NOTE V DELETED
25		NCE	W.D.	1/1	1/1	NOTE W DELETED
26		NCE	W.D.	1/1	1/1	NOTE X DELETED
27		NCE	W.D.	1/1	1/1	NOTE Y DELETED
28		NCE	W.D.	1/1	1/1	NOTE Z DELETED
29		NCE	W.D.	1/1	1/1	NOTE AA DELETED
30		NCE	W.D.	1/1	1/1	NOTE AB DELETED
31		NCE	W.D.	1/1	1/1	NOTE AC DELETED
32		NCE	W.D.	1/1	1/1	NOTE AD DELETED
33		NCE	W.D.	1/1	1/1	NOTE AE DELETED
34		NCE	W.D.	1/1	1/1	NOTE AF DELETED
35		NCE	W.D.	1/1	1/1	NOTE AG DELETED
36		NCE	W.D.	1/1	1/1	NOTE AH DELETED
37		NCE	W.D.	1/1	1/1	NOTE AI DELETED
38		NCE	W.D.	1/1	1/1	NOTE AJ DELETED
39		NCE	W.D.	1/1	1/1	NOTE AK DELETED
40		NCE	W.D.	1/1	1/1	NOTE AL DELETED
41		NCE	W.D.	1/1	1/1	NOTE AM DELETED
42		NCE	W.D.	1/1	1/1	NOTE AN DELETED
43		NCE	W.D.	1/1	1/1	NOTE AO DELETED
44		NCE	W.D.	1/1	1/1	NOTE AP DELETED
45		NCE	W.D.	1/1	1/1	NOTE AQ DELETED
46		NCE	W.D.	1/1	1/1	NOTE AR DELETED
47		NCE	W.D.	1/1	1/1	NOTE AS DELETED
48		NCE	W.D.	1/1	1/1	NOTE AT DELETED
49		NCE	W.D.	1/1	1/1	NOTE AU DELETED
50		NCE	W.D.	1/1	1/1	NOTE AV DELETED
51		NCE	W.D.	1/1	1/1	NOTE AW DELETED
52		NCE	W.D.	1/1	1/1	NOTE AX DELETED
53		NCE	W.D.	1/1	1/1	NOTE AY DELETED
54		NCE	W.D.	1/1	1/1	NOTE AZ DELETED
55		NCE	W.D.	1/1	1/1	NOTE BA DELETED
56		NCE	W.D.	1/1	1/1	NOTE BB DELETED
57		NCE	W.D.	1/1	1/1	NOTE BC DELETED
58		NCE	W.D.	1/1	1/1	NOTE BD DELETED
59		NCE	W.D.	1/1	1/1	NOTE BE DELETED
60		NCE	W.D.	1/1	1/1	NOTE BF DELETED
61		NCE	W.D.	1/1	1/1	NOTE BG DELETED
62		NCE	W.D.	1/1	1/1	NOTE BH DELETED
63		NCE	W.D.	1/1	1/1	NOTE BI DELETED
64		NCE	W.D.	1/1	1/1	NOTE BJ DELETED
65		NCE	W.D.	1/1	1/1	NOTE BK DELETED
66		NCE	W.D.	1/1	1/1	NOTE BL DELETED
67		NCE	W.D.	1/1	1/1	NOTE BM DELETED
68		NCE	W.D.	1/1	1/1	NOTE BN DELETED
69		NCE	W.D.	1/1	1/1	NOTE BO DELETED
70		NCE	W.D.	1/1	1/1	NOTE BP DELETED
71		NCE	W.D.	1/1	1/1	NOTE BQ DELETED
72		NCE	W.D.	1/1	1/1	NOTE BR DELETED
73		NCE	W.D.	1/1	1/1	NOTE BS DELETED
74		NCE	W.D.	1/1	1/1	NOTE BT DELETED
75		NCE	W.D.	1/1	1/1	NOTE BU DELETED
76		NCE	W.D.	1/1	1/1	NOTE BV DELETED
77		NCE	W.D.	1/1	1/1	NOTE BW DELETED
78		NCE	W.D.	1/1	1/1	NOTE BX DELETED
79		NCE	W.D.	1/1	1/1	NOTE BY DELETED
80		NCE	W.D.	1/1	1/1	NOTE BZ DELETED
81		NCE	W.D.	1/1	1/1	NOTE CA DELETED
82		NCE	W.D.	1/1	1/1	NOTE CB DELETED
83		NCE	W.D.	1/1	1/1	NOTE CC DELETED
84		NCE	W.D.	1/1	1/1	NOTE CD DELETED
85		NCE	W.D.	1/1	1/1	NOTE CE DELETED
86		NCE	W.D.	1/1	1/1	NOTE CF DELETED
87		NCE	W.D.	1/1	1/1	NOTE CG DELETED
88		NCE	W.D.	1/1	1/1	NOTE CH DELETED
89		NCE	W.D.	1/1	1/1	NOTE CI DELETED
90		NCE	W.D.	1/1	1/1	NOTE CJ DELETED
91		NCE	W.D.	1/1	1/1	NOTE CK DELETED
92		NCE	W.D.	1/1	1/1	NOTE CL DELETED
93		NCE	W.D.	1/1	1/1	NOTE CM DELETED
94		NCE	W.D.	1/1	1/1	NOTE CN DELETED
95		NCE	W.D.	1/1	1/1	NOTE CO DELETED
96		NCE	W.D.	1/1	1/1	NOTE CP DELETED
97		NCE	W.D.	1/1	1/1	NOTE CQ DELETED
98		NCE	W.D.	1/1	1/1	NOTE CR DELETED
99		NCE	W.D.	1/1	1/1	NOTE CS DELETED
100		NCE	W.D.	1/1	1/1	NOTE CT DELETED

NEW ZEALAND POST OFFICE
ENGINEER-IN-CHIEF WELLINGTON

ORIGIN	TELEOPT. SECT	SIZE	SHEET
		S	1
25947			

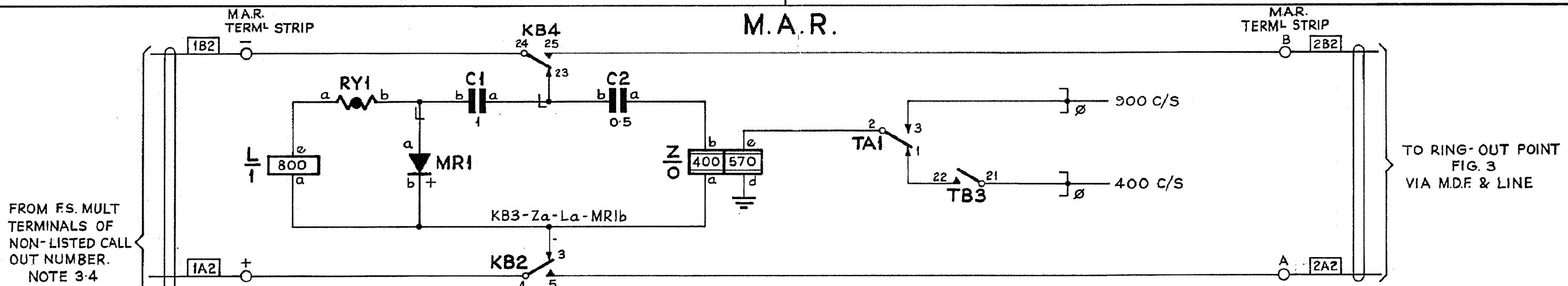
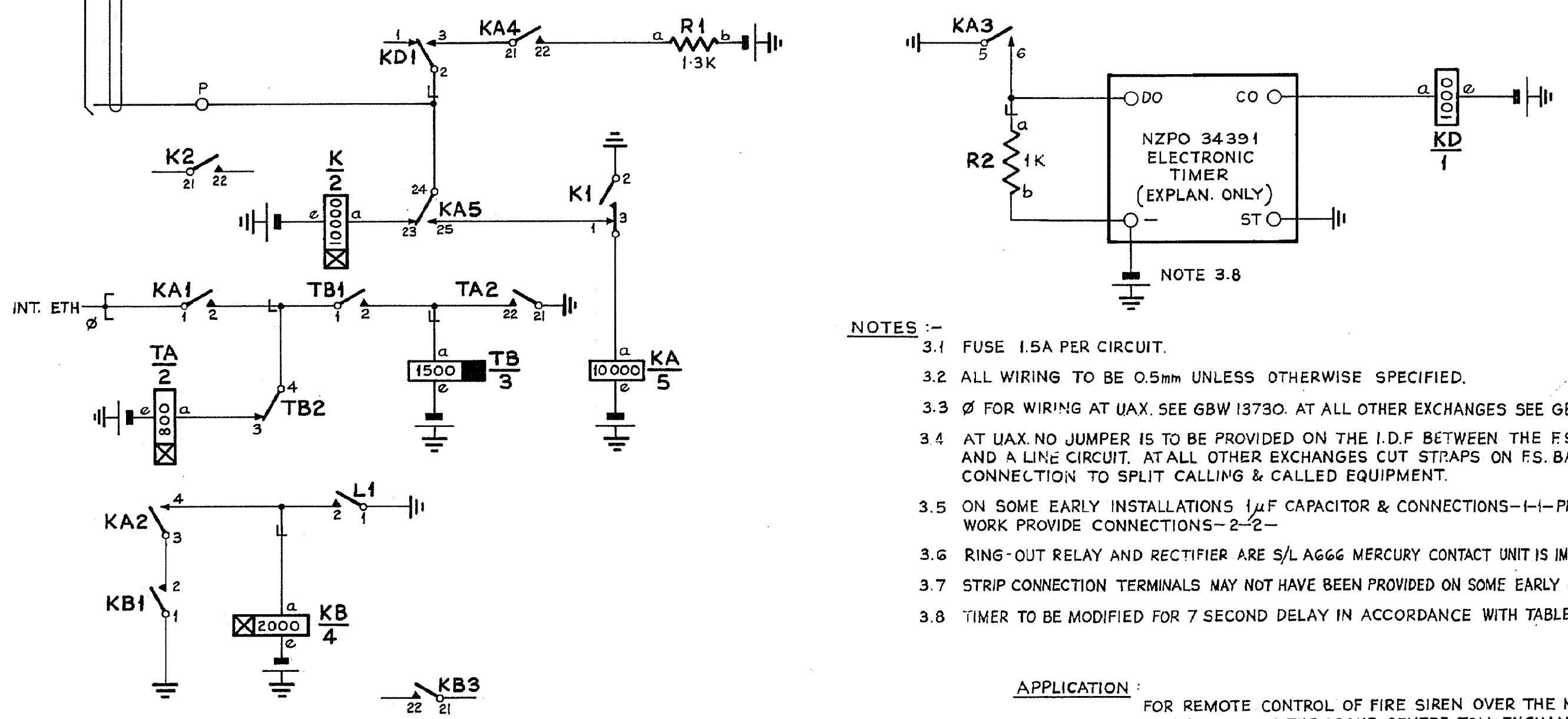


FIG. 4 AUTO. EXCHANGE EQUIPMENT



- NOTES :-
- 3.1 FUSE 1.5A PER CIRCUIT.
 - 3.2 ALL WIRING TO BE 0.5mm UNLESS OTHERWISE SPECIFIED.
 - 3.3 Ø FOR WIRING AT UAX. SEE GBW 13730. AT ALL OTHER EXCHANGES SEE GBW 10690 OR EQUIV.
 - 3.4 AT UAX. NO JUMPER IS TO BE PROVIDED ON THE I.D.F BETWEEN THE F.S. MULT TERMINALS AND A LINE CIRCUIT. AT ALL OTHER EXCHANGES CUT STRAPS ON F.S. BANK MULT. STRIP CONNECTION TO SPLIT CALLING & CALLED EQUIPMENT.
 - 3.5 ON SOME EARLY INSTALLATIONS 1µF CAPACITOR & CONNECTIONS-1-1- PROVIDED. FOR NEW WORK PROVIDE CONNECTIONS-2-2-
 - 3.6 RING-OUT RELAY AND RECTIFIER ARE S/L A666 MERCURY CONTACT UNIT IS IM 15AMPS/L AF 729.
 - 3.7 STRIP CONNECTION TERMINALS MAY NOT HAVE BEEN PROVIDED ON SOME EARLY UAX. WORK.
 - 3.8 TIMER TO BE MODIFIED FOR 7 SECOND DELAY IN ACCORDANCE WITH TABLE A N.Z.P.O. 34391.

APPLICATION :
FOR REMOTE CONTROL OF FIRE SIREN OVER THE NORMAL TELEPHONE NETWORK FROM THE GROUP CENTRE TOLL EXCHANGE FIG.4 IS USED AT ALL EXCHANGES OTHER THAN UAX.

BATT.-WH. FUSE ——— 3B2 ——— Ke- KAe- KBe- TAe- TBe- KDe- Rib -
TIMER - VE.

EARTH:-R. ETH. BAR ——— 3A2 ——— K2- KA5- KB1- L1- TA21- Zd- TIMER ST.

0.7mm

**FIRE CALL-OUT
SCHEME 'E'**
(WITH ELECTRONIC TIME DELAY CIRCUIT)

DATE	ISS	CHANGE	N.Z.P.O. ENGINEER-IN-CHIEF WELLINGTON	
18.8.64	E		COY No	ORIGIN: T-EQPT
19.11.74	K	RETRACED FROM ISS J. OF 27.6.73 NEW INFORMATION.	SHT. 3	DRAWN: T-EQPT TRACED: MEC
			A3	25947

UAX NZ 13 'B' UNIT

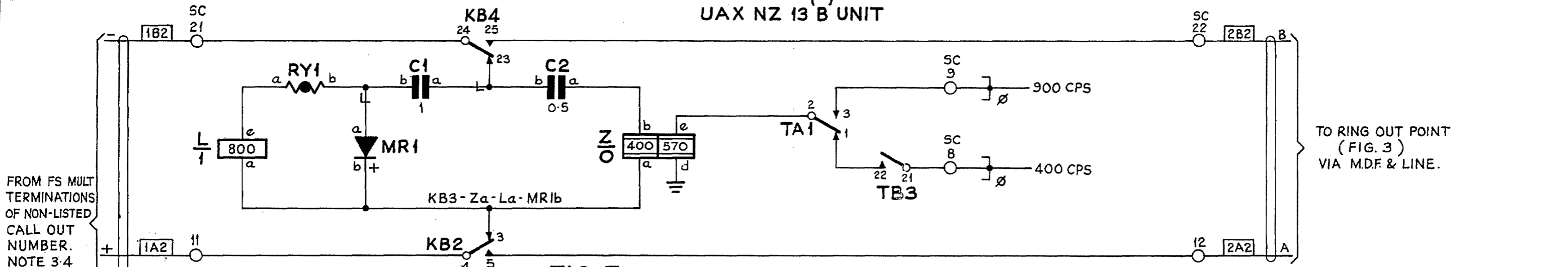


FIG. 5 AUTO EXCHANGE RELAY SET

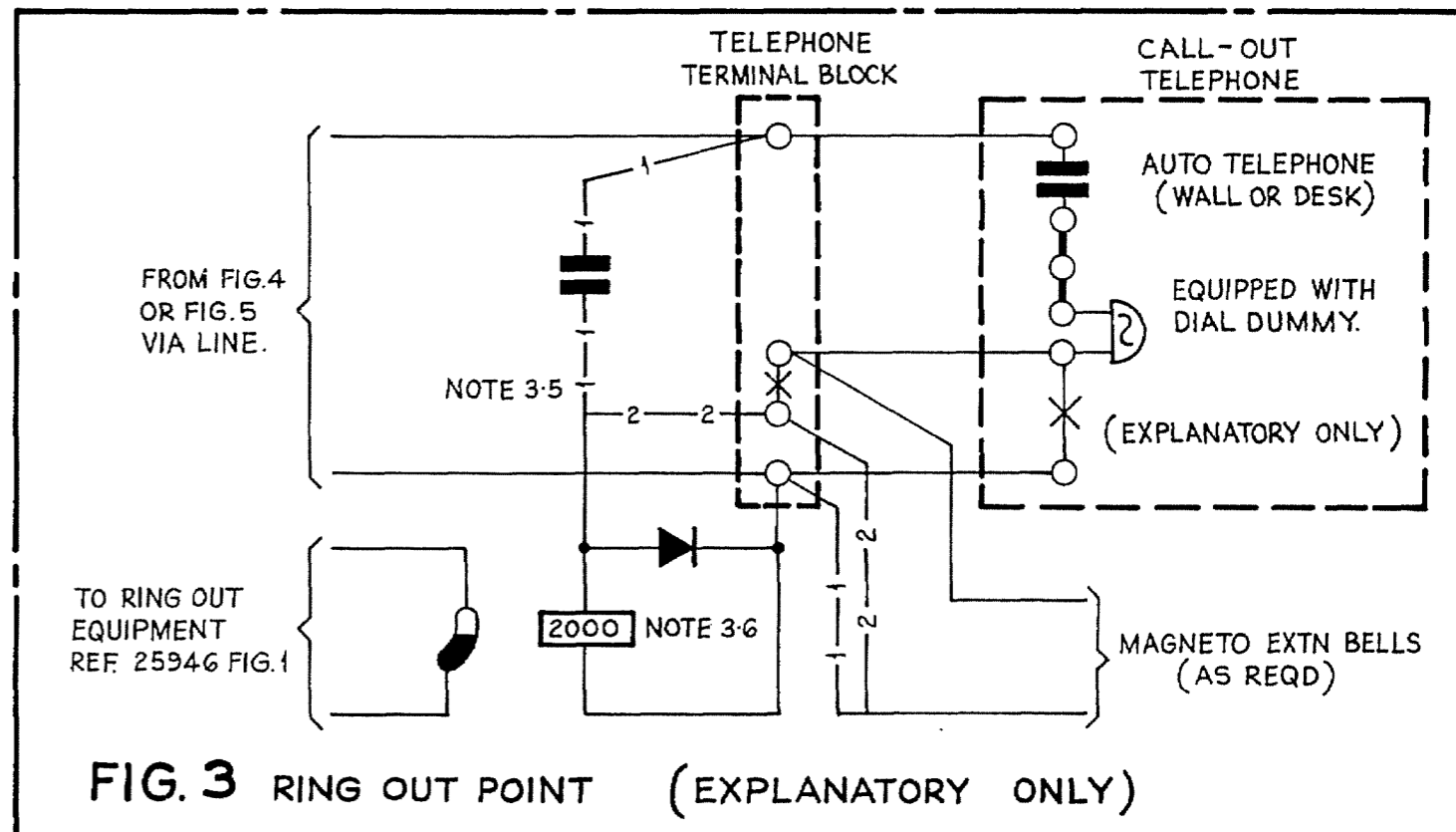
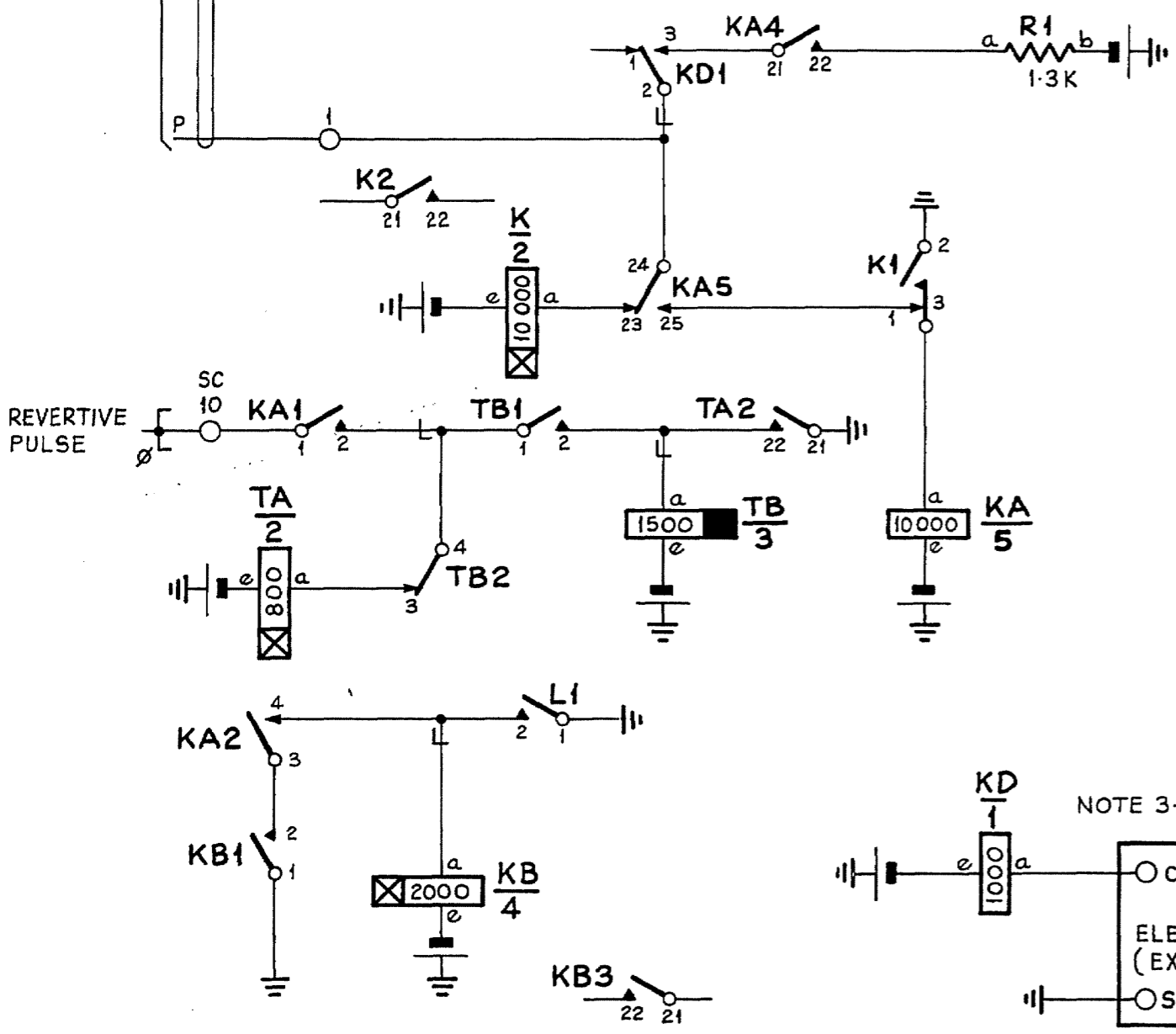
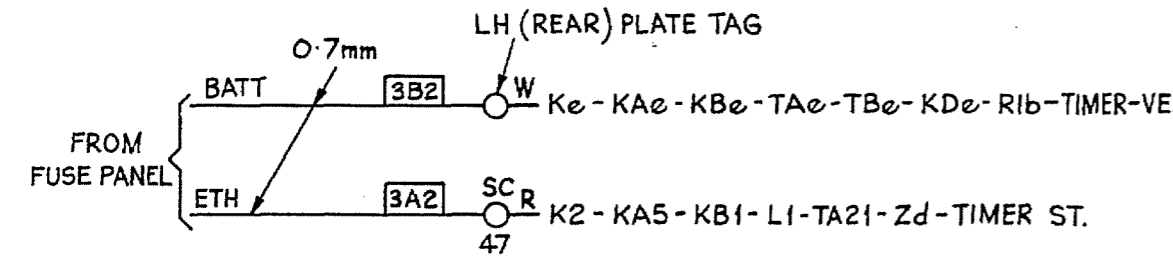
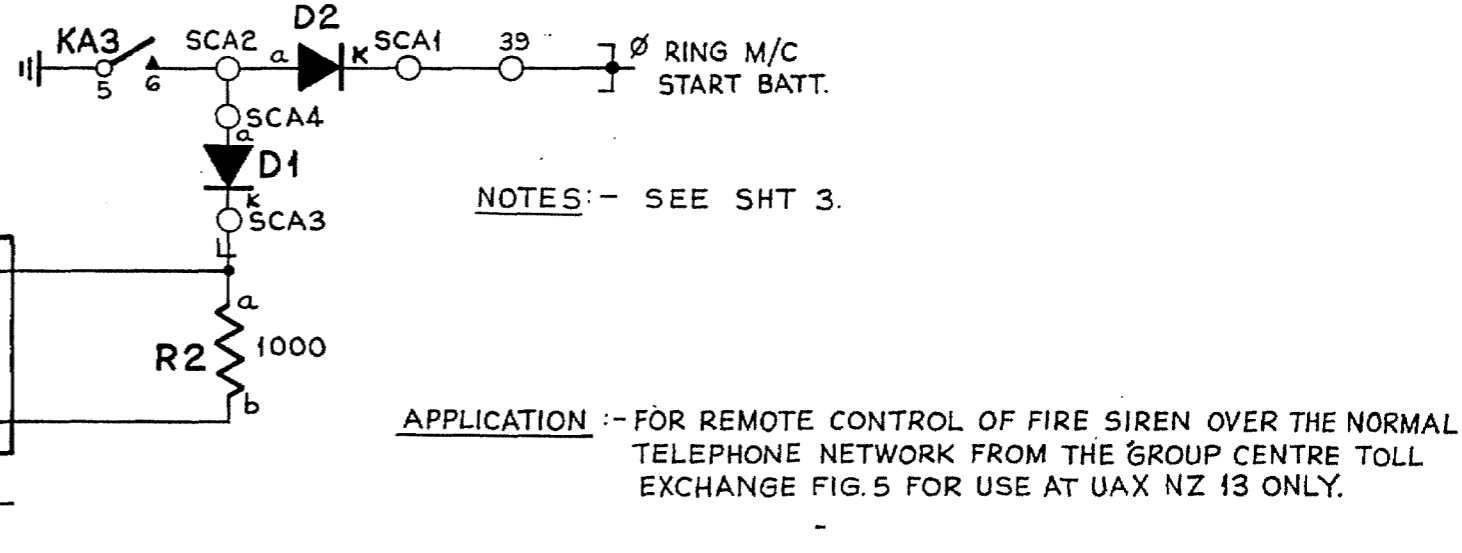


FIG. 3 RING OUT POINT (EXPLANATORY ONLY)



FIRE CALL-OUT SCHEME 'E' (WITH ELECTRONIC TIME DELAY CIRCUIT.)

DATE	ISS	CHANGE	NZPO	
19-11-74	A		ENGINEER-IN-CHIEF WELLINGTON	
			COY No	ORIGIN: T-EQPT
			SHT. 4	DRAWN: T-EQPT TRACED: AJB
			A3	25947

RELAY CODES AND COMPONENTS LIST (FIGS. 4 & 5)

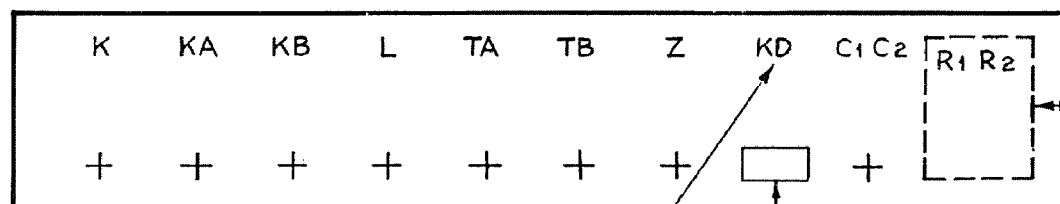
RELAY NAME	B.C.C. CODE	N.Z.P.O. CODE	B.P.O. CODE	COY. CODE	NOTES	STOCK LIST N ^o	COMPONENT DESIGNATION	B.P.O. CODE	COY. CODE	NOTES	STOCK LIST N ^o	MISC. COMPONENTS	NOTES	STOCK LIST N ^o
K		50245KD5				WS	R1	N ^o 12		1.3K	KB368	SC121	UAX ONLY	LH205
KA		50211BA				WS	R2	N ^o 9		1000	KB343	MTG.BKT.121A	UAX ONLY	LH138
KB		50134KA				WS	C1	101		1 μ F	KC250	CAP CLIP 42	(C1 - C2)	KC404
L	21173					WS	C2	100		0.5 μ F	KC185	RES. POST	2"	KB9
TA	1831		4957	P71BC/		WS								
TB	1424		4501	13001A/3		WS	MR1	1/12AZ		NOTE 6.1	K909B		1/2" COIL NUT RELAY L	LE795A
Z	1523		3440			WS	RY1	1A		NOTE 6.2	K972A	SCA	1/DST/844	LH814
KD	B2583					WS	D1			IN 4003 (FIG.5)	K905	SCREWS	(FIG.5 ONLY)	LH610
							D2			BY 103 (FIG.5)	K907	INS PLATE		LE811
							TIMER			NZPO 34391 NOTE 6.3	K973			

NOTES

A - SPECIAL FACTORS OF SAFETY B - SPECIAL ADJUST. C - CCT. POINTS OR MODS.

LAYOUT

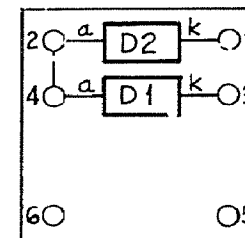
MOUNTING PLATE BPO N^o F151/20BH FOR 33" MAR LHGG1J
MOUNTING PLATE BPO N^o F151/20AH FOR UAX 'B' RACK LHGG1.



AT UAX (FIG.5)
TERM.
STRIP
N^o 121
MTD AT REAR

SCA MOUNTED
AT REAR. (FIG.5)

ELECTRONIC
TIMER N.Z.P.O. 34391
NOTE 6.3



S.C.A

NOTES:-

- 6.1 MR1 MOUNTED AT REAR OF L RELAY.
- 6.2 RY1 MOUNTED ACROSS MR1a - Le.
- 6.3 TIMER TO BE WIRED IN ACCORDANCE WITH TABLE A NZPO 34391 FOR 7 SECOND DELAY.

FIRE CALL OUT SCHEME 'E'

DEL	CKD	APD	ORDER	DATE	ISS	CHANGE	
				19-11-74	A	KD RELAY CODE CORRECTED	N.Z.P.O. ENGINEER-IN-CHIEF WELLINGTON
				3-10-75	B		COY.N ^o : ORIGIN: T-EQPT.
							SH ^t 6 DRAWN: T-EQPT. TRACED: A.J.B.
							25947
							A3