

FIG. 1.

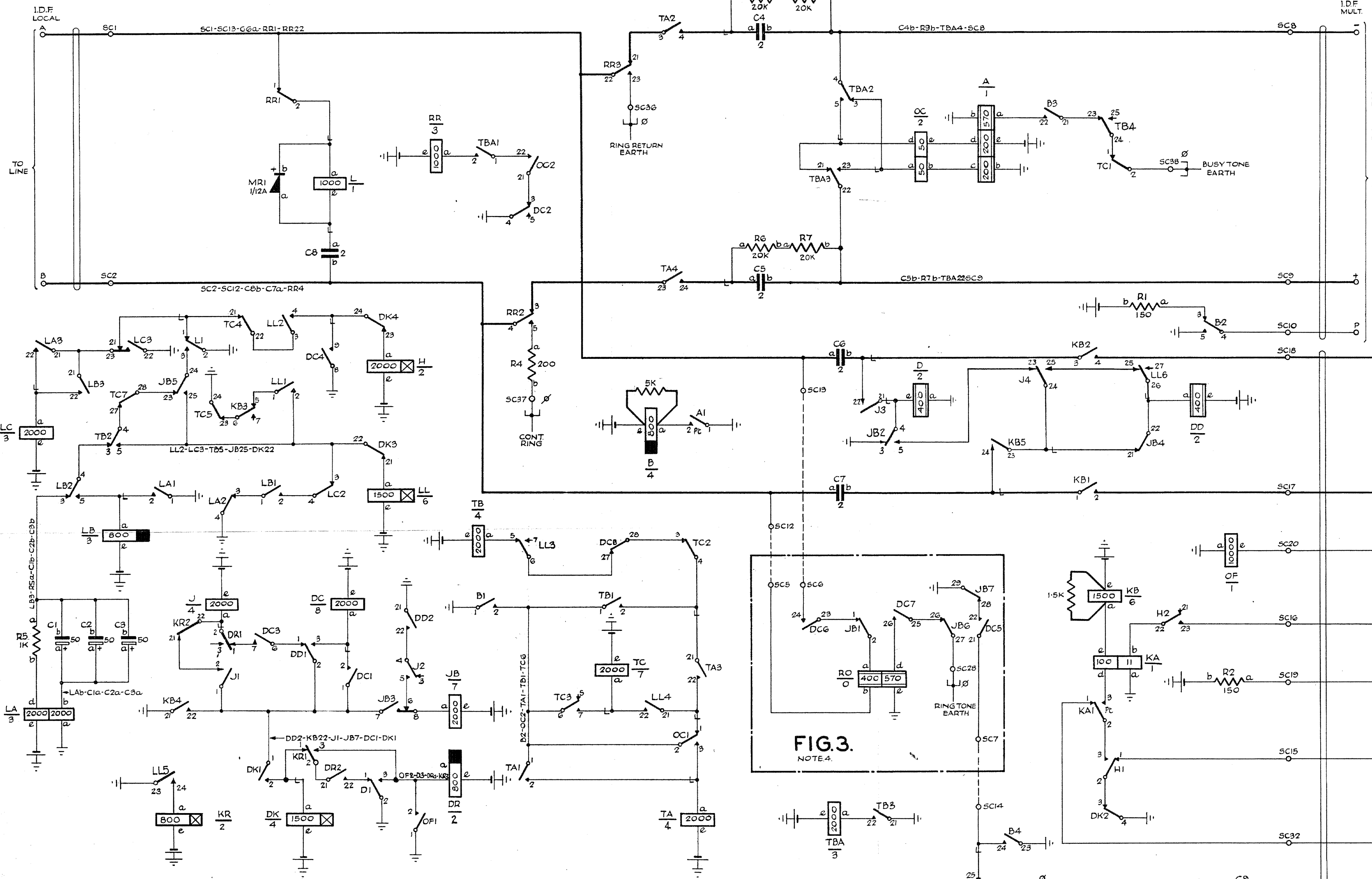
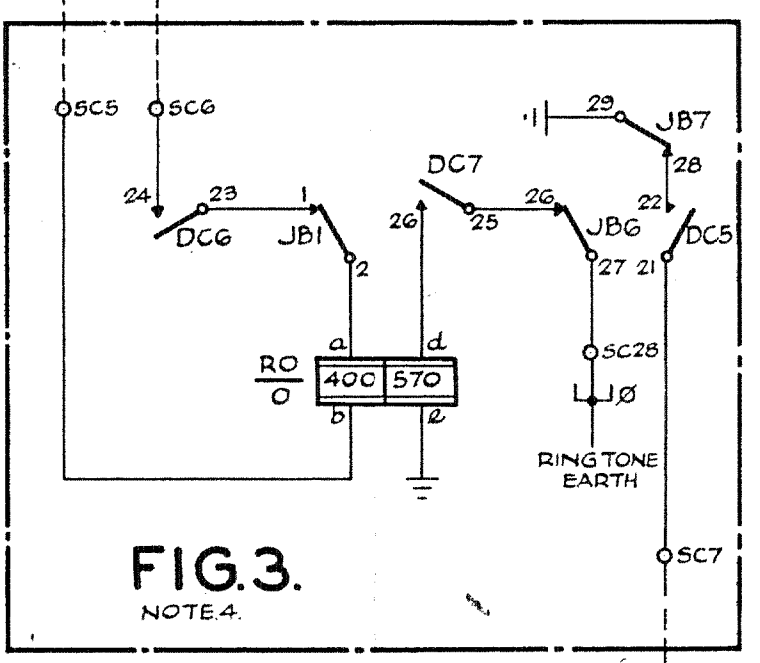
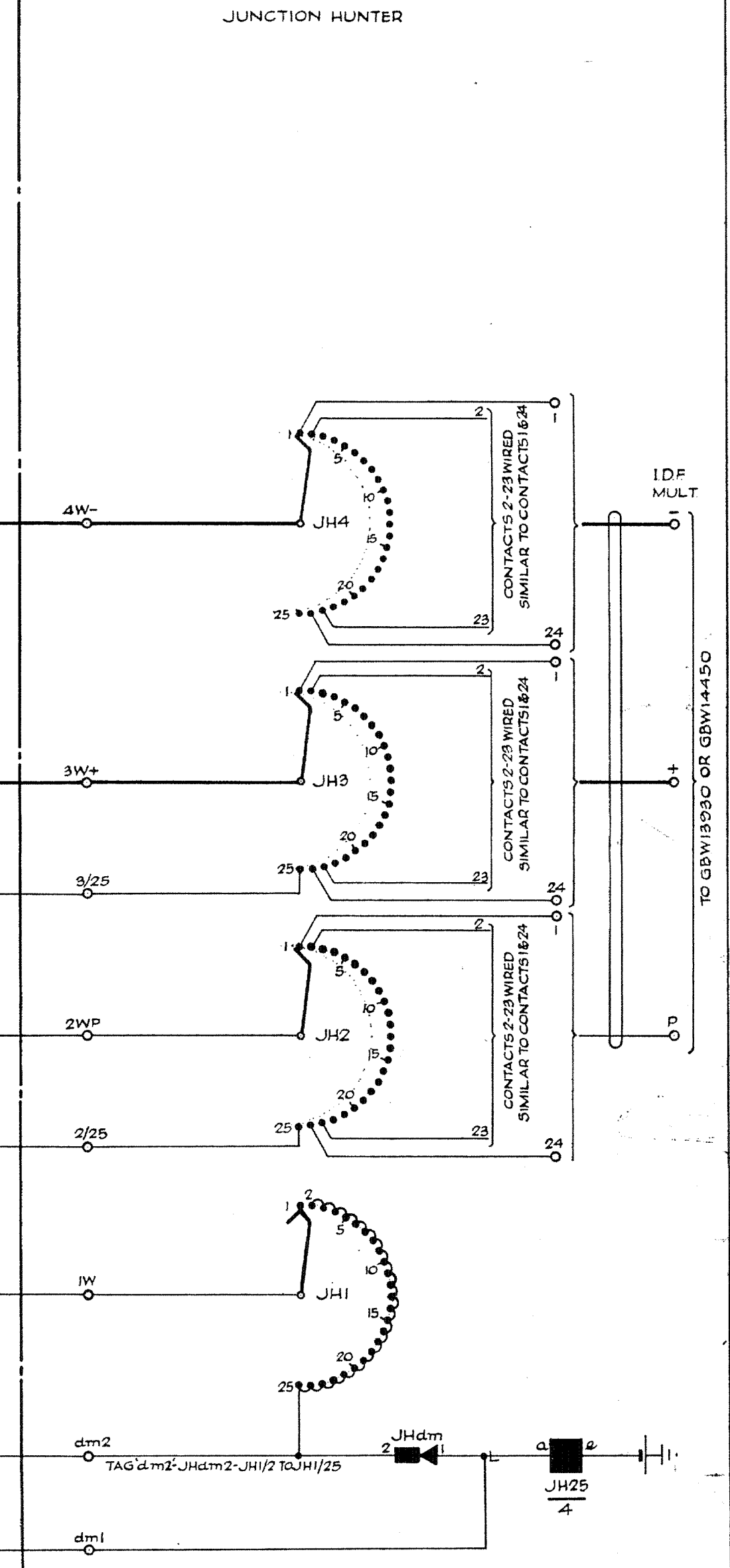
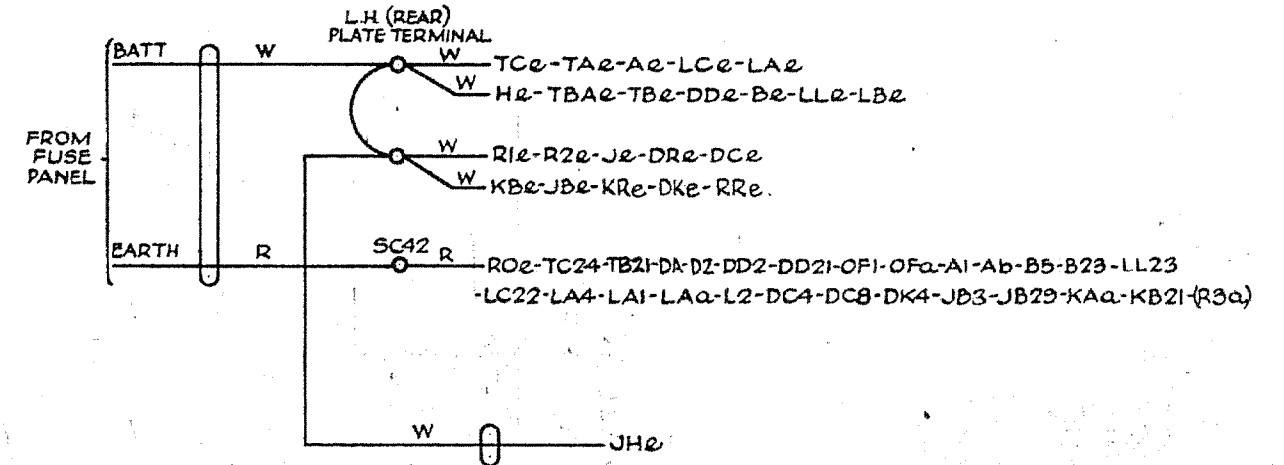


FIG. 2.  
JUNCTION HUNTER



- NOTES:-
- FUSE:-1.0A PER CIRCUIT.
  - Ø FOR WIRING SEE GBW13730 OR EQUIV.
  - FIG. 1 TERMINALS ARE ON STRIP CONNECTIONS AND ARE DESIGNATED SC
  - USE FIG. 3. WHEN THIS CIRCUIT HAS ACCESS TO GBW 13930
  - FOR CROSS CONNECTING SEE DIAGRAM 25764



ISS	DATE	CHK'D	APP'D	DEL. ORDER	CHANGE
A	13.11.56			LA 67856	RELAY SPG. NO. ETC. AMENDED
B	5.3.58			BHM 11402	

CRD No 26578  
NEW ZEALAND POST OFFICE ENGINEER IN CHIEF WELLINGTON.

## ADAPTER CIRCUIT RURAL LINE-U.A.X.NZ13

ORIGIN	TEL. EQPT. SECT	SIZE	SHEET
DRAWN	TEL. EQPT. SECT	M	1
		OF	25647
			A

