

FIG. 1

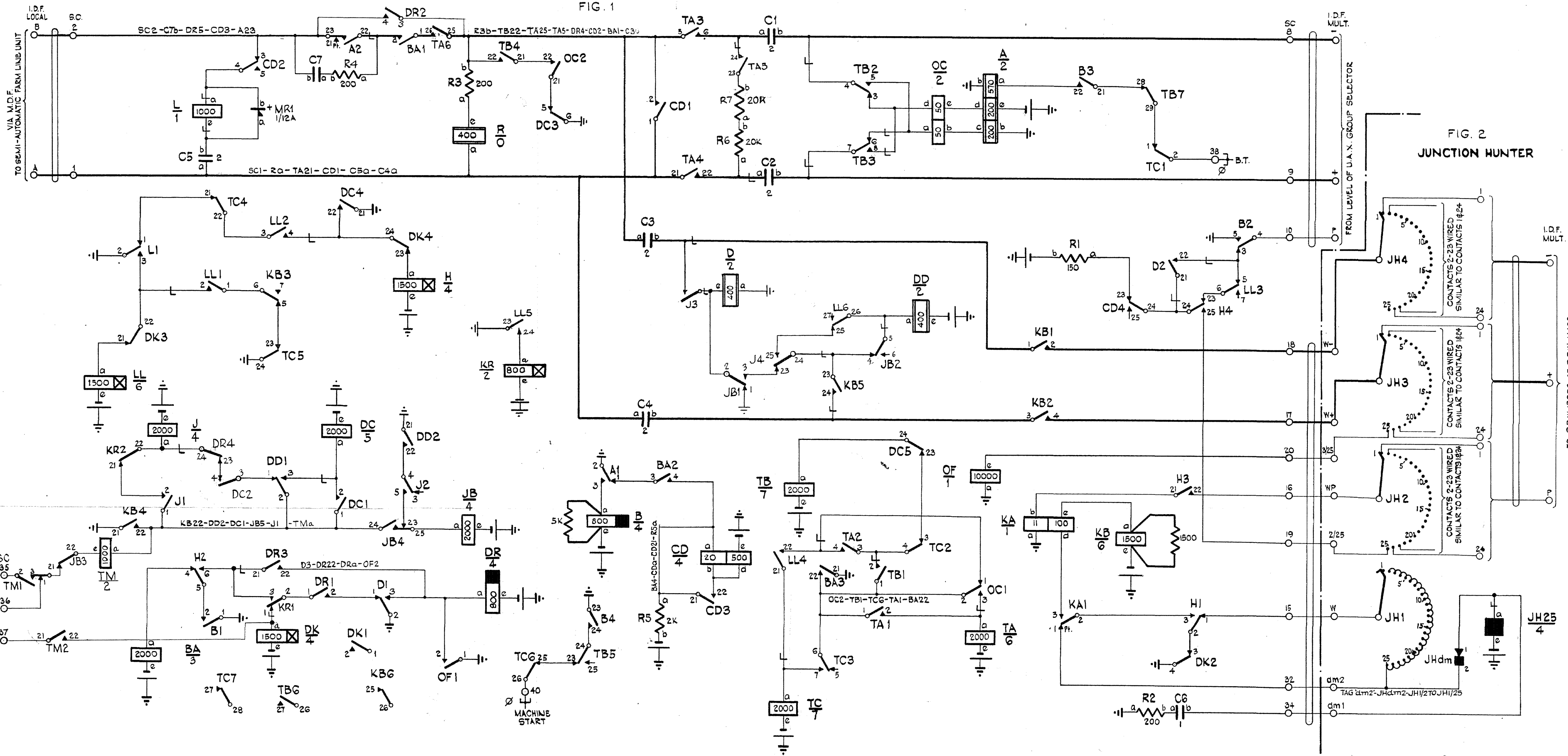
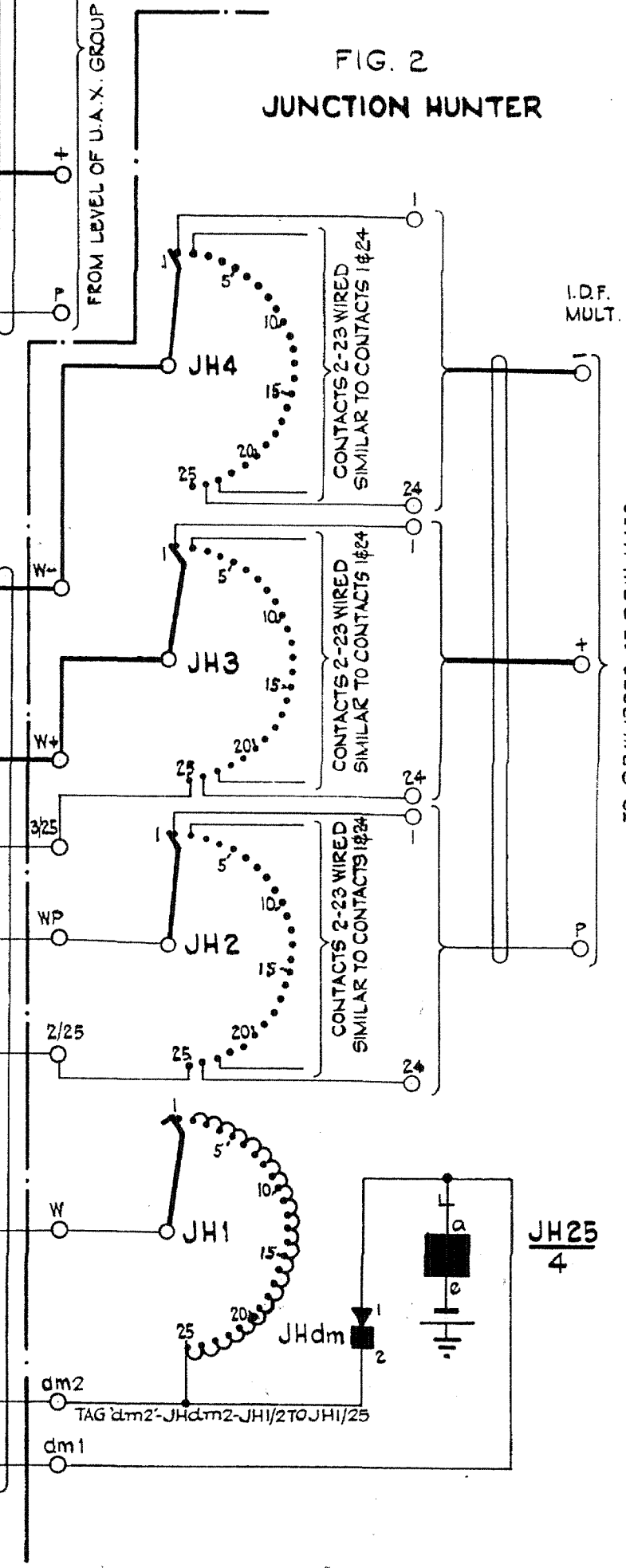
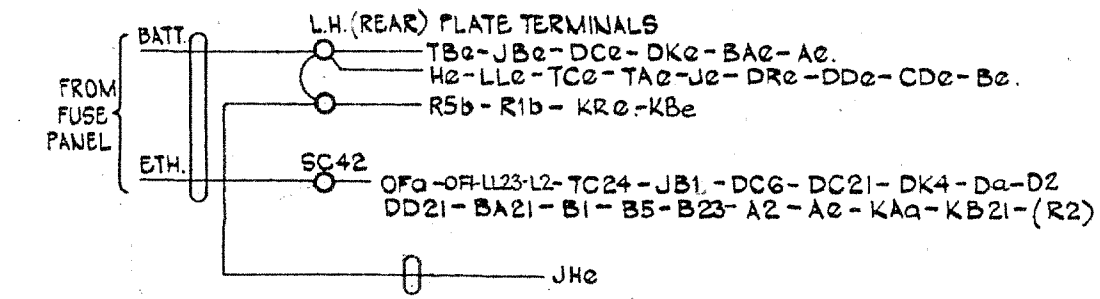


FIG. 2
JUNCTION HUNTER



TIME PULSE HOLD
TIME PULSE START
TIME PULSE RELEASE (NOTE 5)

- NOTES
1. FUSE - 1.0A PER CIRCUIT.
 2. ∅ - FOR WIRING SEE G.B.W. 13730 OR EQUIVALENT.
 3. FIG. 1 - TERMINALS ARE ON STRIP CONNECTIONS AND ARE DESIGNATED SC IN WIRING RUNS.
 4. FOR CROSS CONNECTING SEE DIAGRAM 25765
 5. TIME PULSE START, HOLD AND RELEASE, WIRED TO GBW 13720 OR EQUIVALENT. RELEASE TIME AS FOR REVERTIVE CALL SELECTORS



CRD No 26579

NEW ZEALAND POST OFFICE, ENGINEER-IN-CHIEF, WELLINGTON.

ADAPTER CIRCUIT
FARM LINE UNIT-U.A.X.NZ.13

ISS. DATE	CHKD	APPD	DEL	ORDER	CHANGE
18.11.50	RELAY SPS, NPS ETC AMENDED
10.3.58	TIME PULSE RELEASE FEATURE ADDED, RELAYS JB, TA CHANGED
25.6.62	

ORIGIN	TELE. EOPT. SECT.	SIZE	SHEET	25646	A
		M	1		
DRAWN	TEL. EQ. SEC. TRACED			B	C