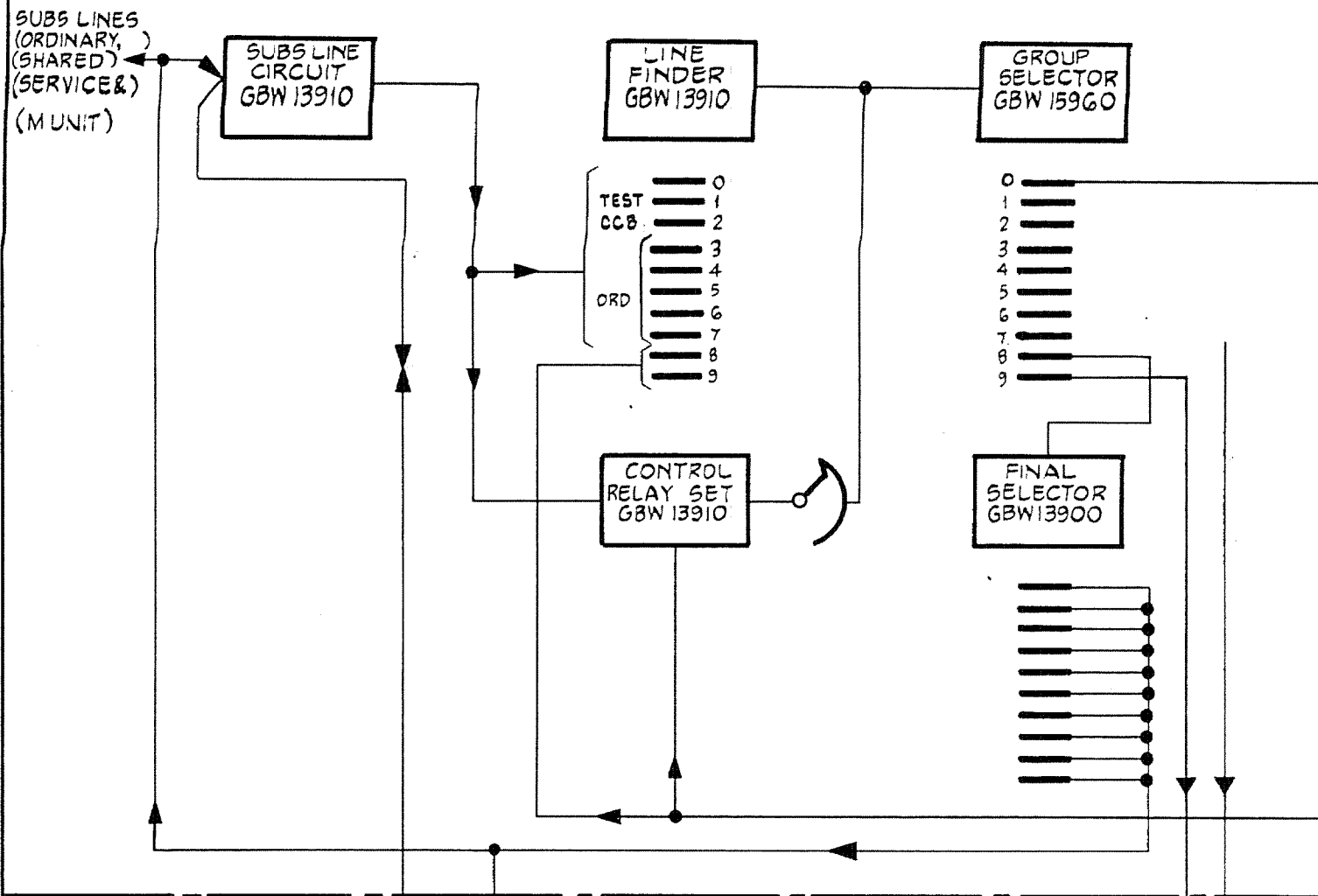


NOTES:-
1-1

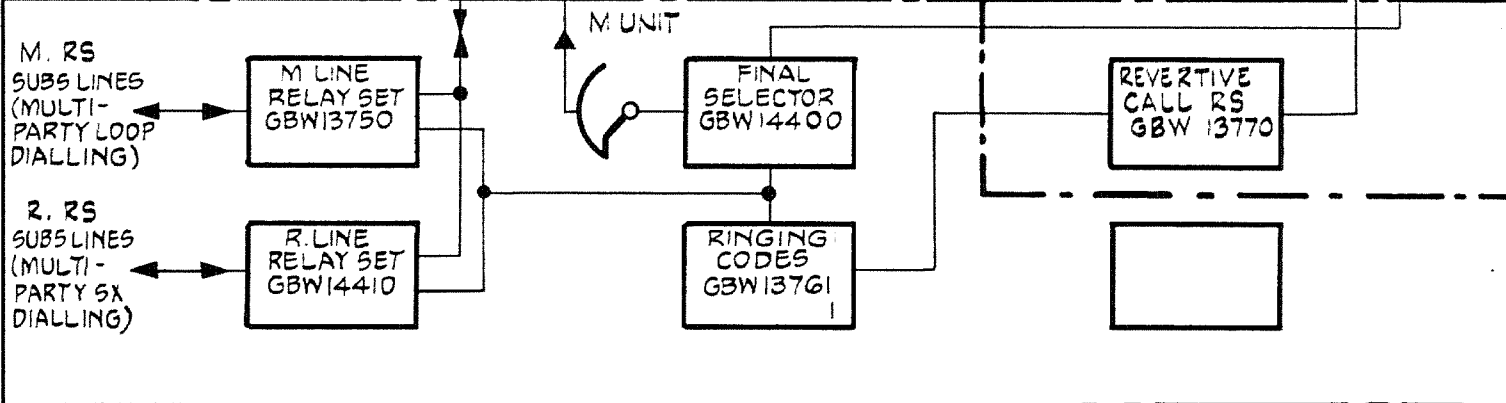
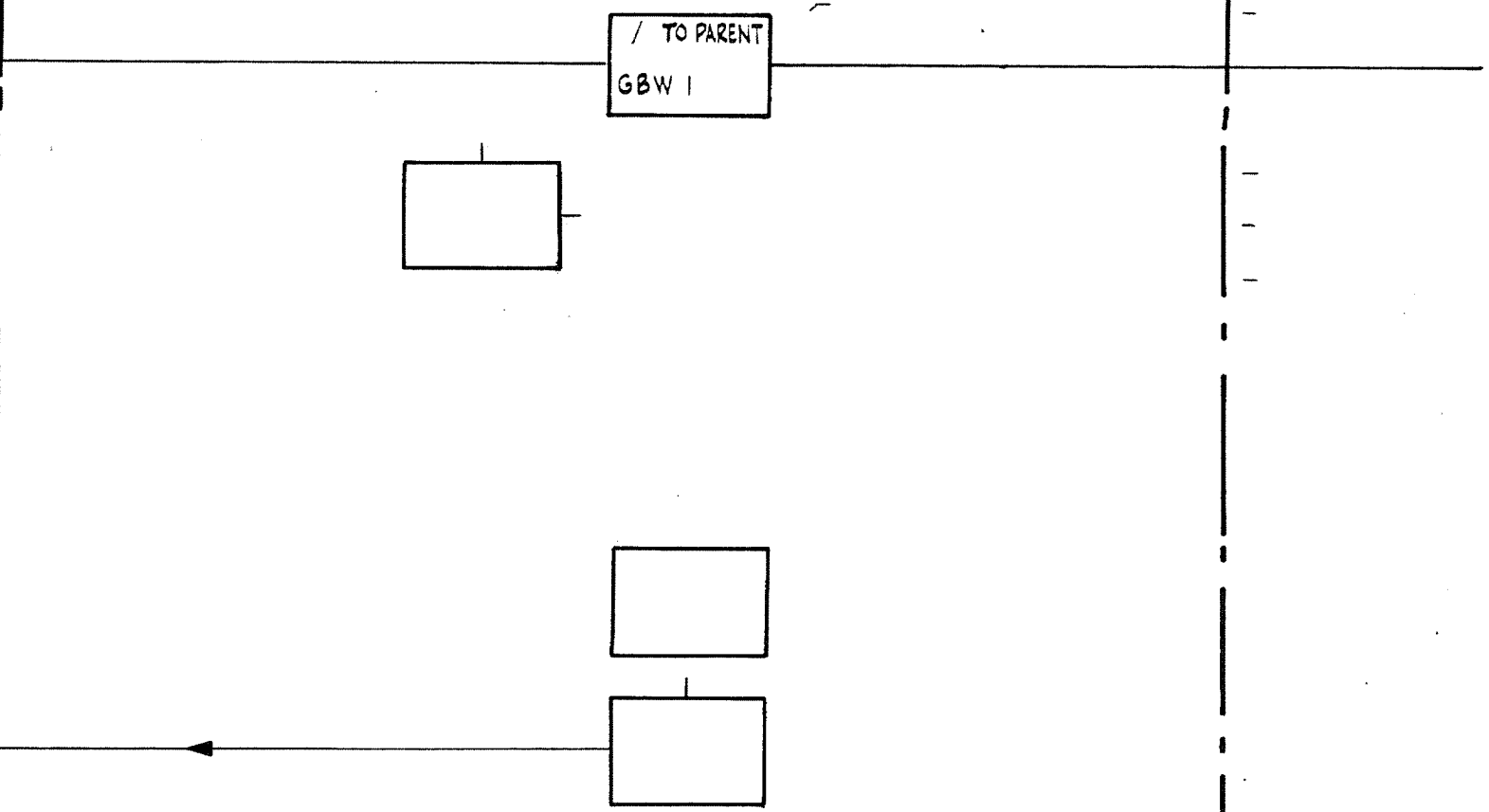
REFERENCES:-
FLOOR PLAN.
EQUIPMENT UNIT

ISS	DATE	CHKD	APPD	DEL	ORDER	CHANGE	NEW ZEALAND POST OFFICE ENGINEER-IN-CHIEF WELLINGTON			
							TRUNKING AND EQUIPMENT DIAGRAM U.A.X. MASTER TRACING			
ORIGIN		TEL. EQPT. SECT		SIZE	SHEET	25534		C		
DRAWN		TEL. EQPT. TRACED		J.P.	S	1 OF 5				

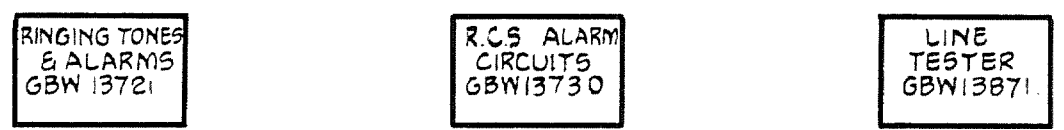
A. UNIT



B. UNIT



C. UNIT

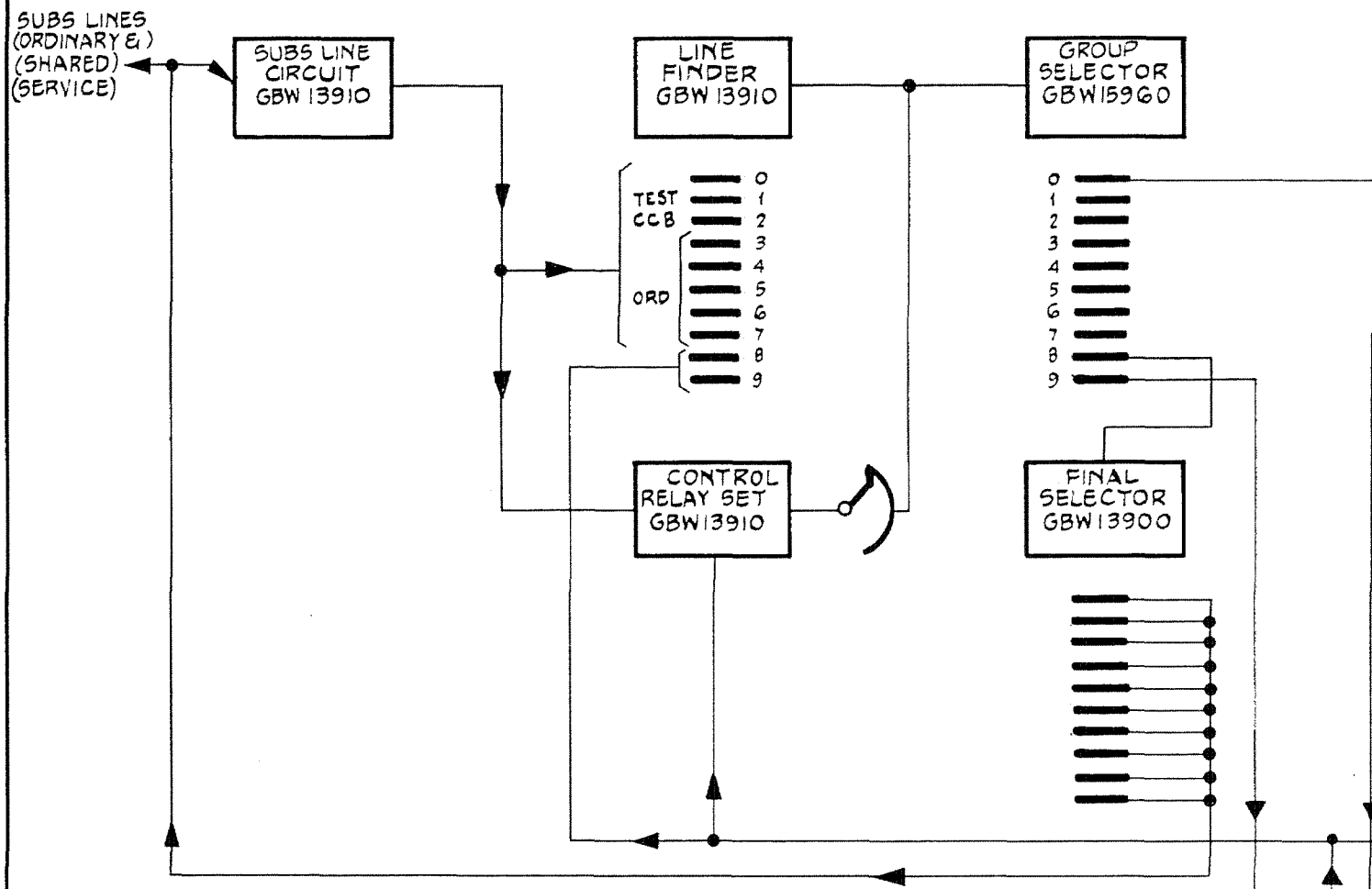


NOTES:-
1-1

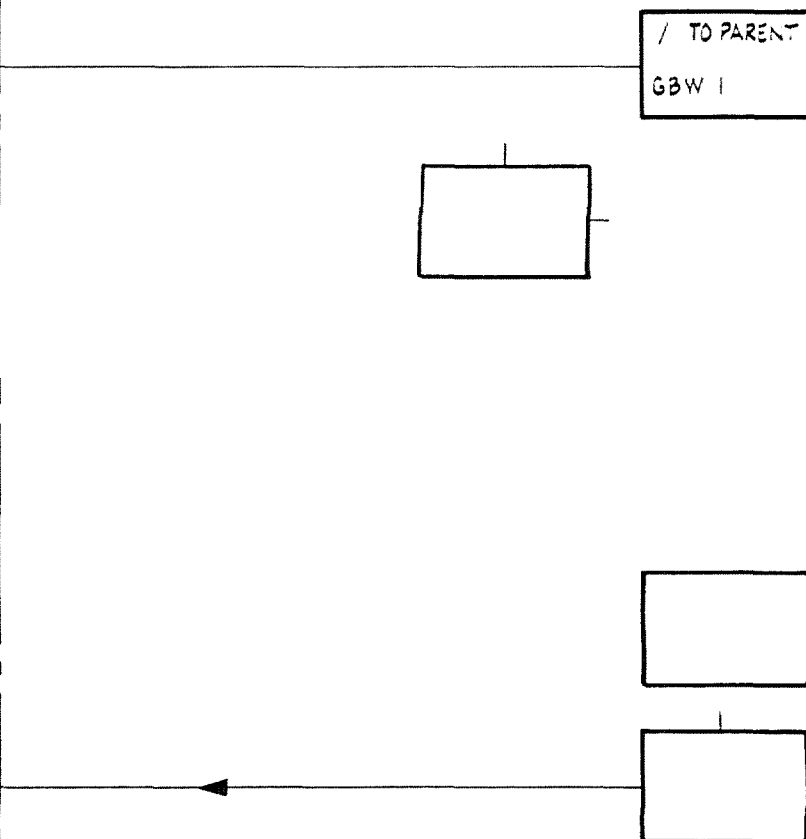
REFERENCES:-
FLOOR PLAN.
EQUIPMENT UNIT

SS	DATE	CHKD	APPD	DEL	ORDER	CHANGE	NEW ZEALAND POST OFFICE, ENGINEER-IN-CHIEF, WELLINGTON						
C							<p>TRUNKING AND EQUIPMENT DIAGRAM U.A.X. MASTER TRACING</p>						
ORIGIN							TEL EQPT SECT	SIZE	SHEET	25534			
DRAWN							TELEQPT	TRACED	PR.	S	2	OF	3

A. UNIT



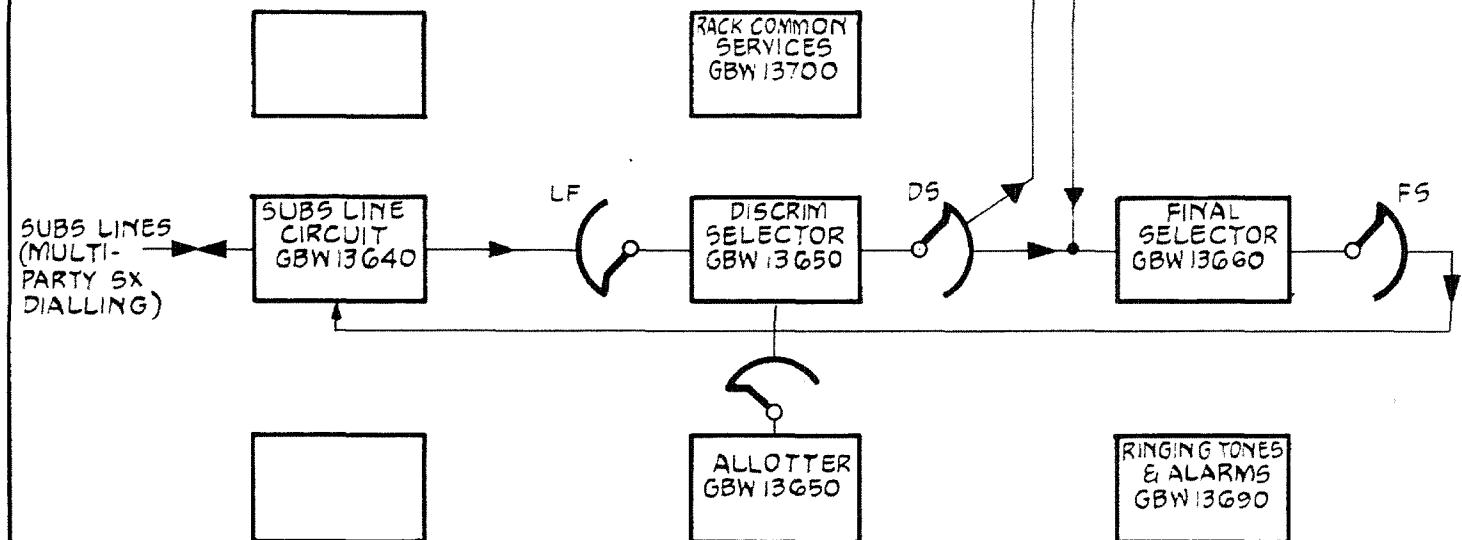
B. UNIT



REVERTIVE CALL RS
GBW 13770

1/C JUNCTION FROM R UNIT
GBW 13780

R. UNIT



C. UNIT

RINGING TONES & ALARMS
GBW 13721

RCS ALARM CIRCUITS
GBW 13730

LINE TESTER
GBW 13871

NOTES -
1-1

REFERENCES :-
FLOOR PLAN.
EQUIPMENT UNIT

ISS	DATE	CHKD	APPD	DEL	ORDER	CHANGE	NEW ZEALAND POST OFFICE, ENGINEER-IN-CHIEF, WELLINGTON

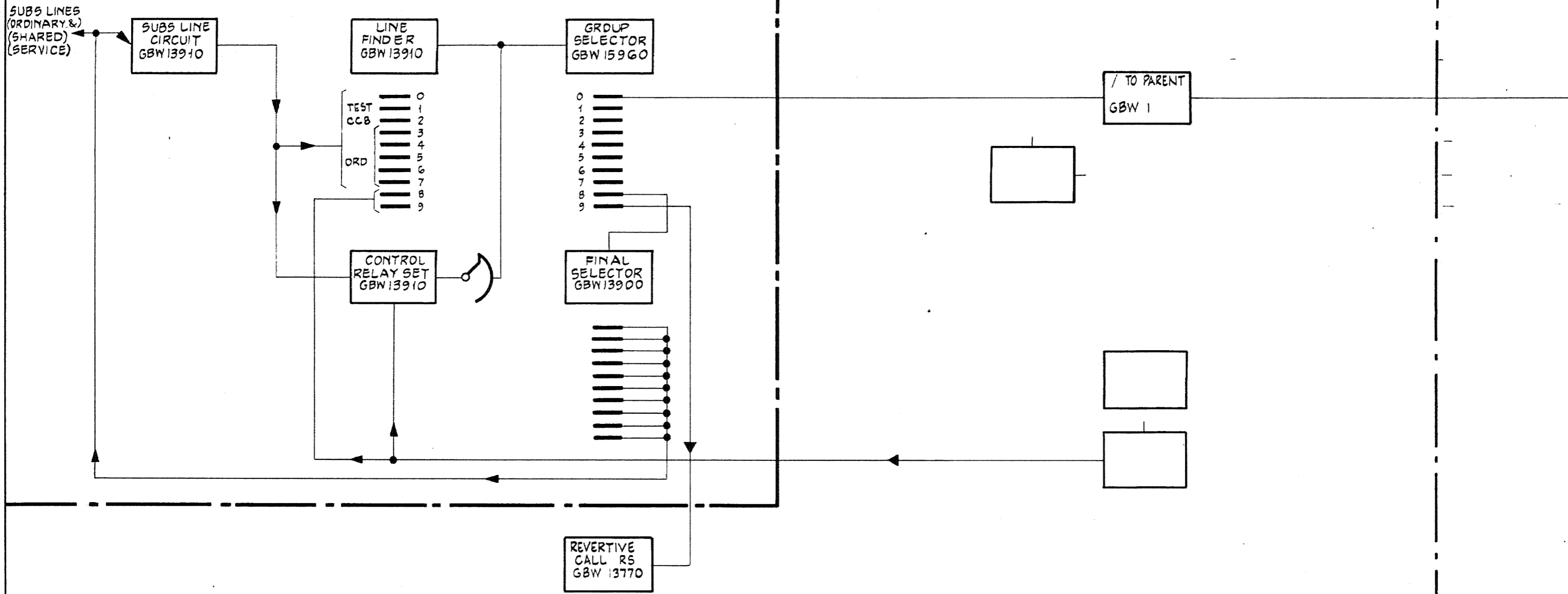
TRUNKING AND EQUIPMENT
DIAGRAM

U.A.X.

ORIGIN	TEL. EQPT. SECT	SIZE	SHEET	25534	6
DRAWN	TEL. EQPT. TRACED	S	OF	5	

A. UNIT

B UNIT



NOTES:-
1-1

REFERENCES:-
FLOOR PLAN
EQUIPMENT UNIT

C. UNIT

RINGING TONES & ALARMS GBW 13721

RCS ALARM CIRCUITS GBW 13730

LINE TESTER GBW 13871

ISS	DATE	CHKD	APPD	DEL	ORDER	CHANGE	NEW ZEALAND POST OFFICE ENGINEER-IN-CHIEF, WELLINGTON

TRUNKING AND EQUIPMENT
DIAGRAM
U.A.X.
MASTER TRACING

ORIGIN	TEL. EQPT. SECT	SIZE	SHEET	25534	
		S	4 OF 5		
DRAWN	TEL. EQPT.	TRACED	PK.		

