

FIG 1 = UNIT 13C

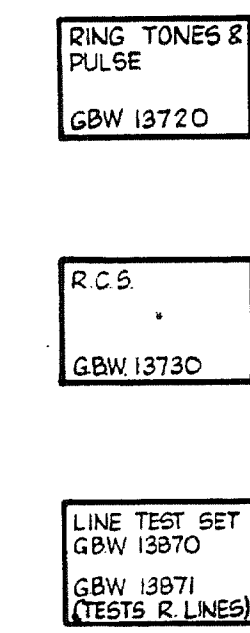


FIG 2 = UNIT 13B

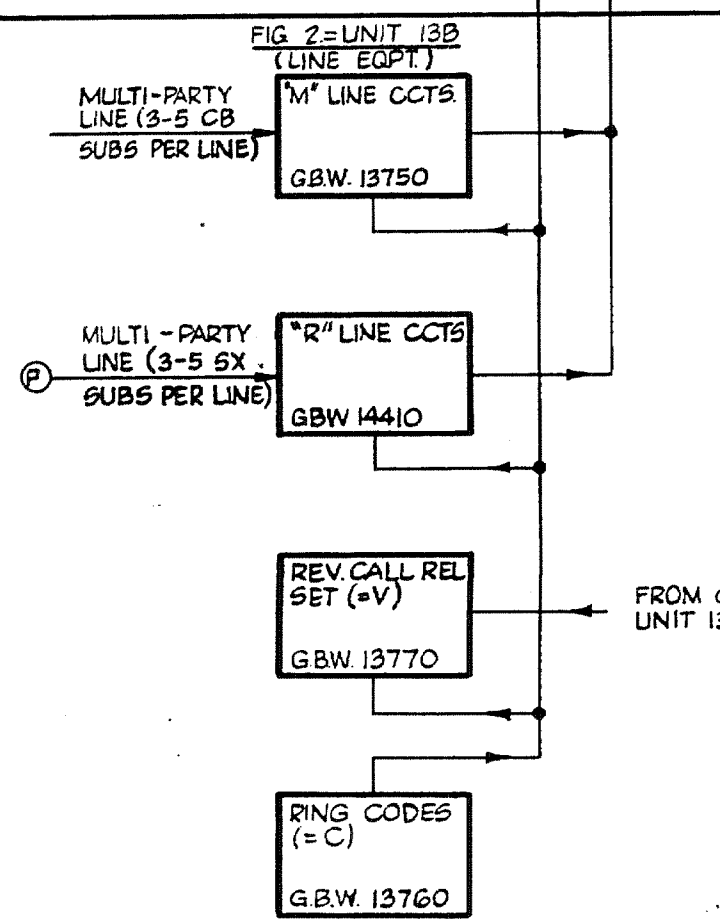


FIG 3 = UNIT 13A

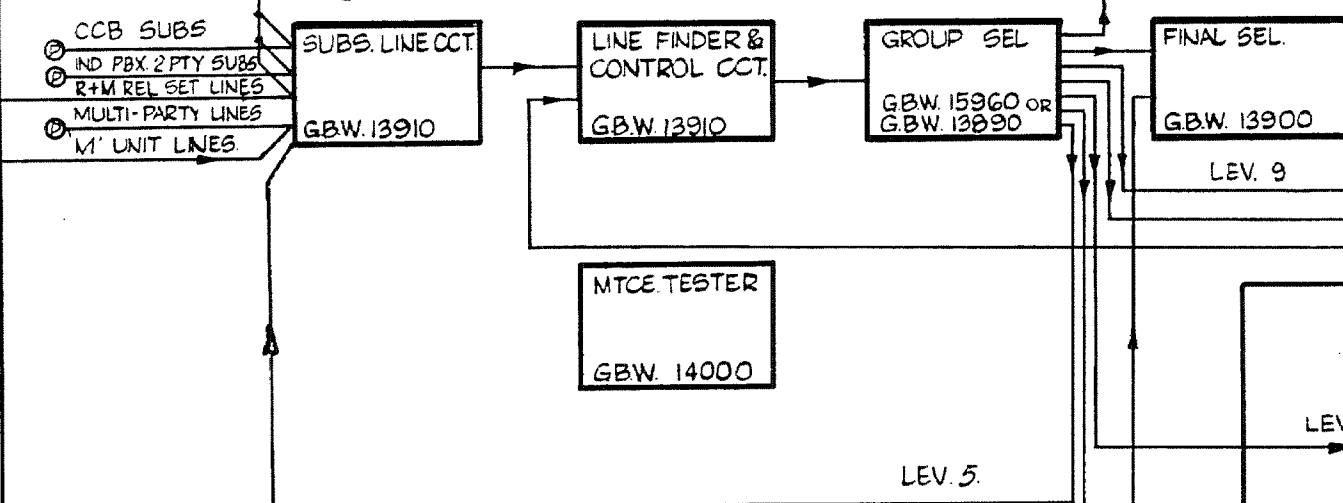


FIG 4 = UNIT 13R

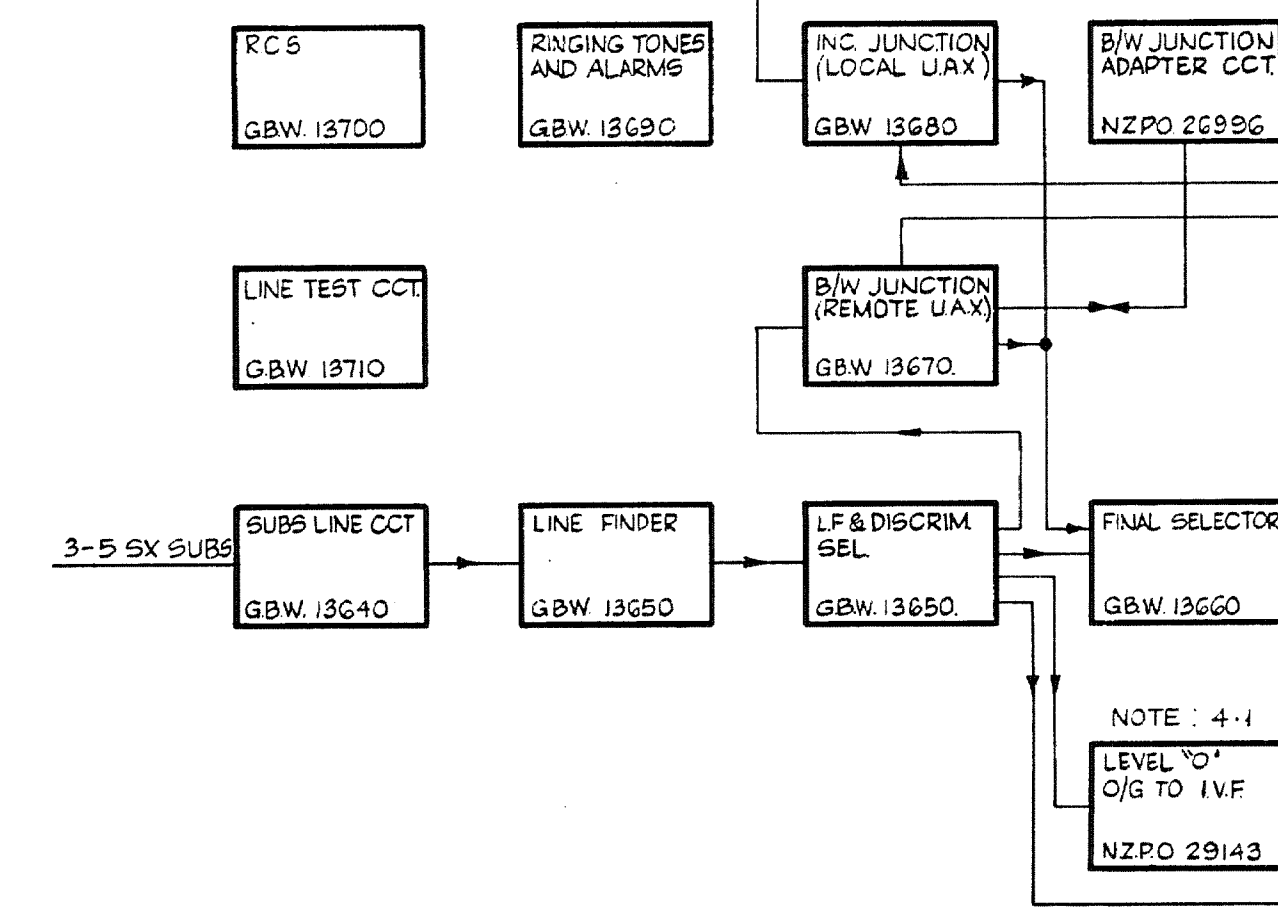


FIG 7 = TEST EQUIPMENT

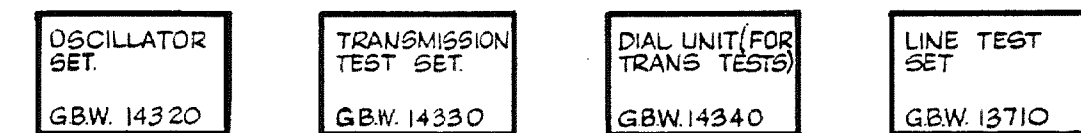


FIG 5 = UNIT 13B (JUNCTION EQPT)

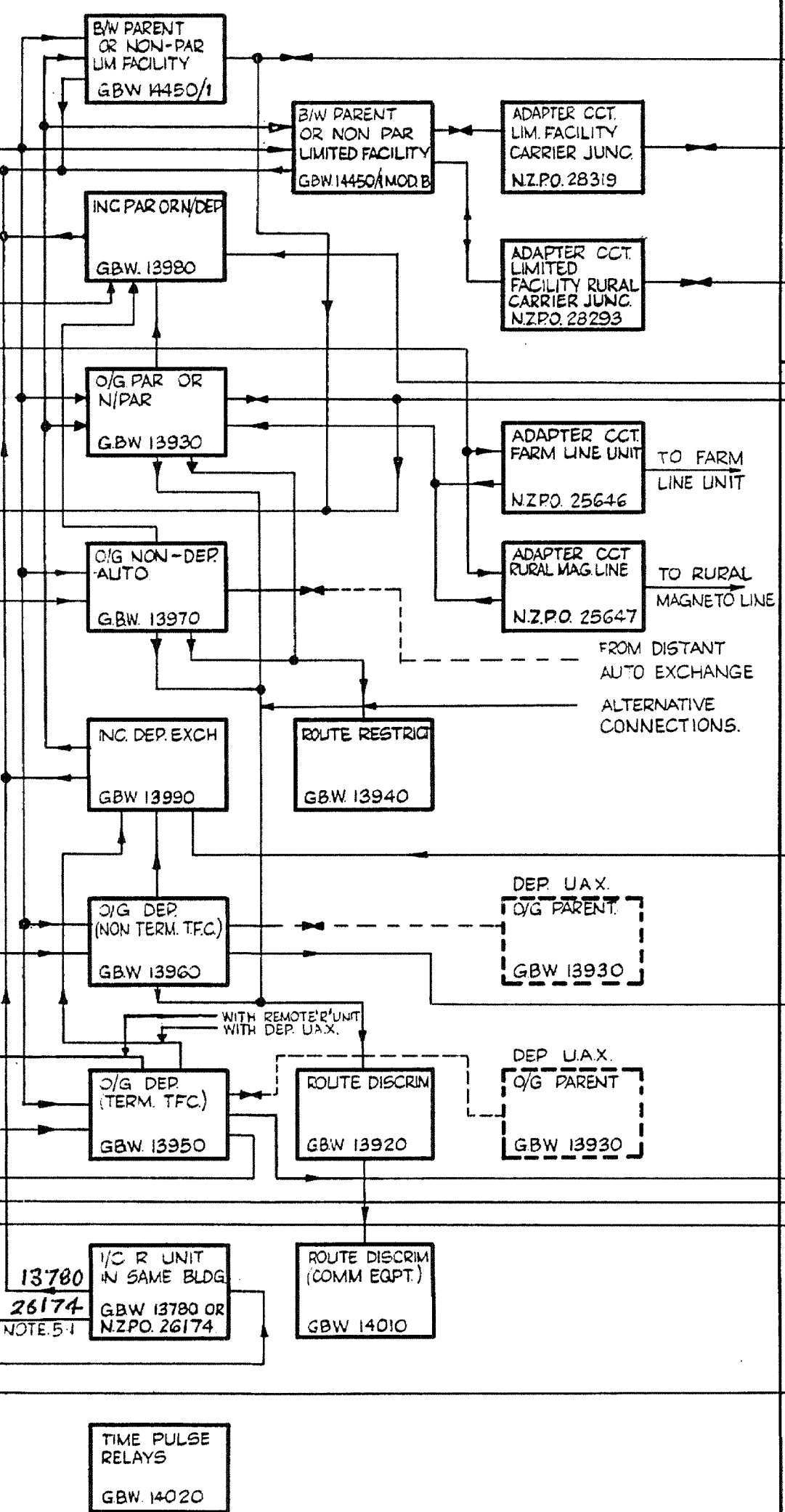


FIG 10 = UNIT 13E (I-VF EQPT)

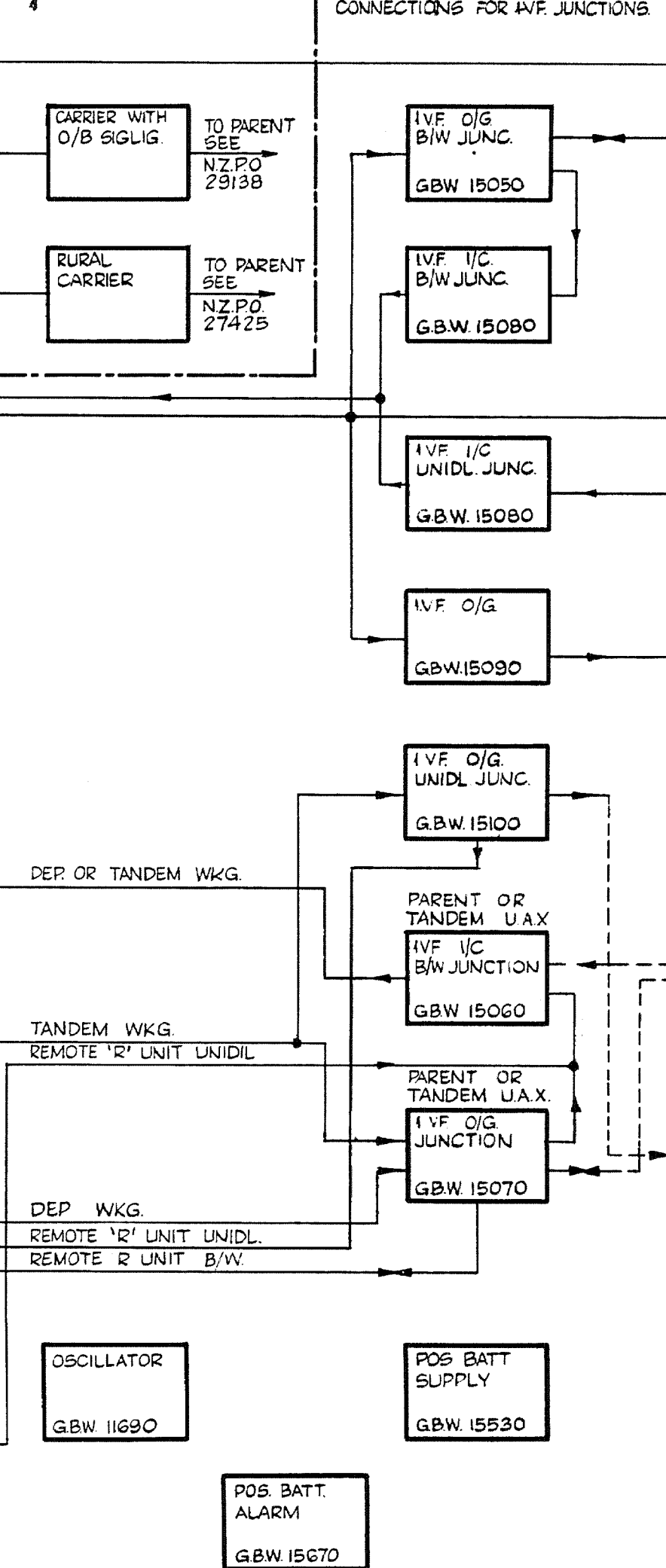
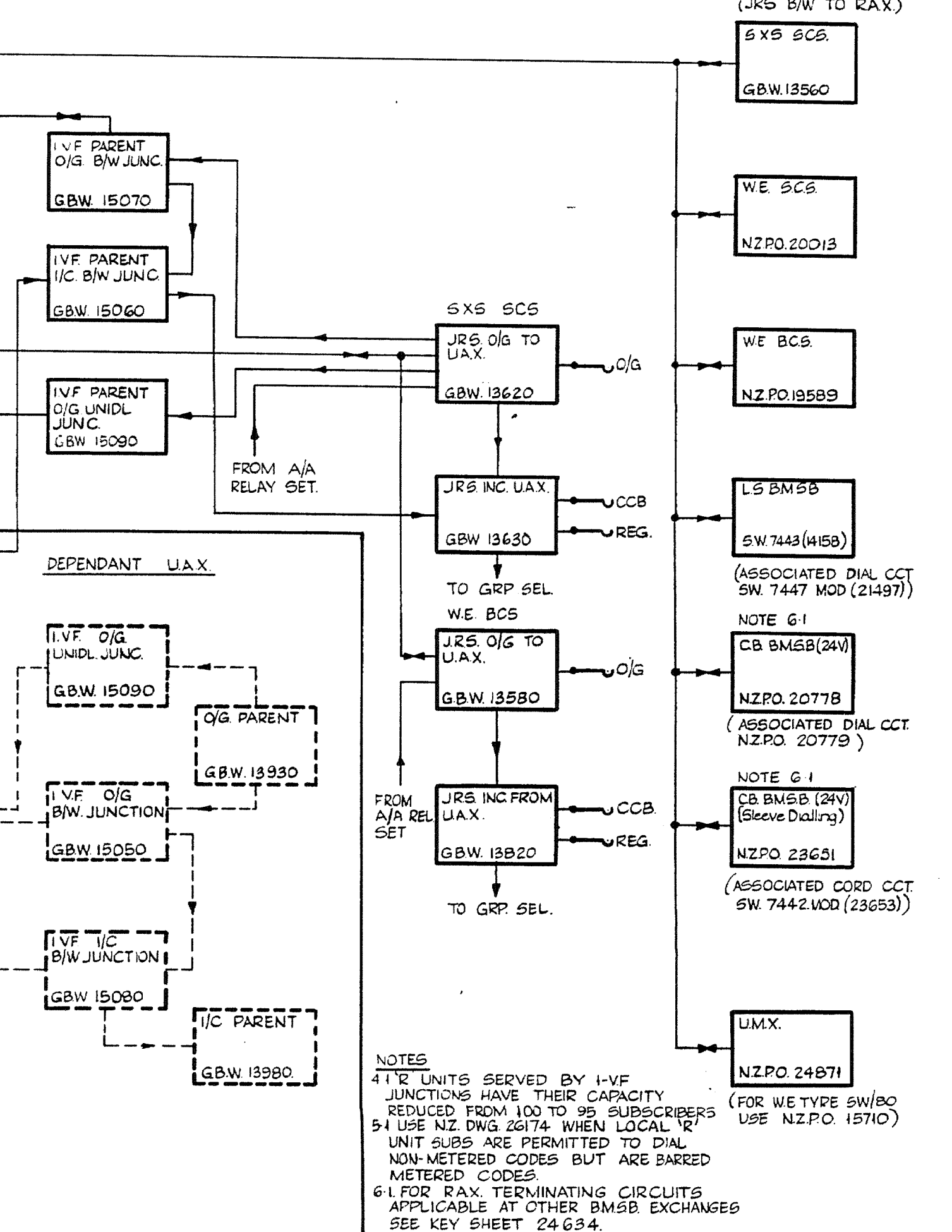


FIG 6 = CIRCUITS AT PARENT EXCHANGE



NOTES  
 41 'R' UNITS SERVED BY I-VF JUNCTIONS HAVE THEIR CAPACITY REDUCED FROM 100 TO 95 SUBSCRIBERS 54 USE NZ DWG 26174 WHEN LOCAL 'R' UNIT SUBS ARE PERMITTED TO DIAL NON-METERED CODES BUT ARE BARRED METERED CODES  
 61 FOR RAX TERMINATING CIRCUITS APPLICABLE AT OTHER BMSB EXCHANGES SEE KEY SHEET 24634.

ISS	DATE	CHKD	APPD	DEL	ORDER	CHANGE
A	12/6/58	N.W.	W.W.	W.W.	W.W.	RETRACTED FROM 165F 84 28
G	7/2/62	W.A.	W.A.	W.A.	W.A.	FIGS 4, 9 & 10 AMENDED; FIGS 9 & 10 ADDED; NOTES 4-1 & 5-1 ADDED.

NEW ZEALAND POST OFFICE, ENGINEER-IN-CHIEF, WELLINGTON.

COMMUNICATION CHART  
 U.A.X. N.Z. 13

ORIGIN	TEL-EQPT-SEC.	SIZE	SHT.	24198	G
DRAWN	TEL-E-SEC	L	OF		

(FOR REMOTE 'R' UNITS & UAX'S WITH 'R' UNITS & TEST SET GBW 13870)