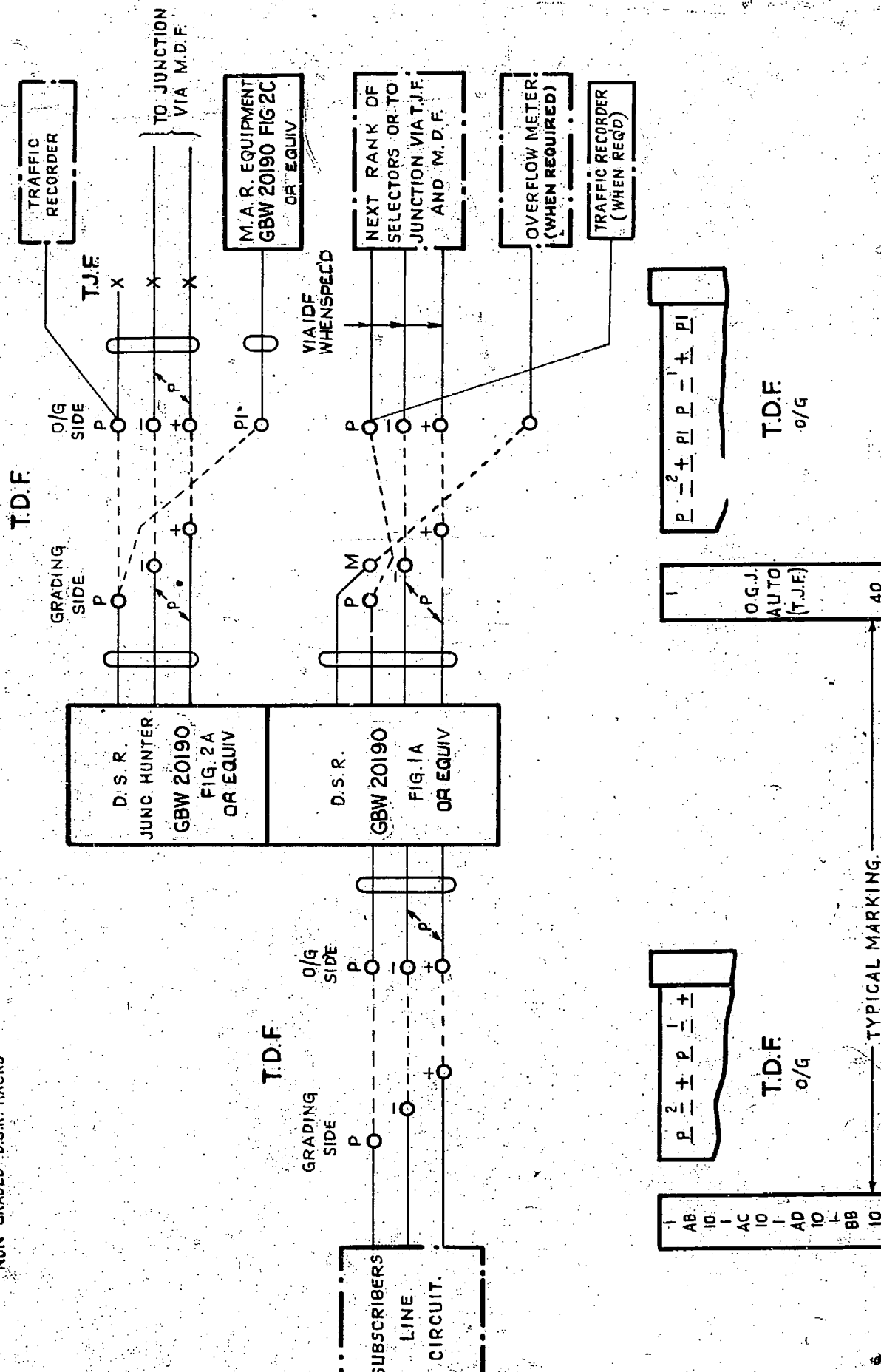


FIG. A

NON-GRADED D.S.R. RACKS



DISCRIMINATING SELECTOR REPEATER.
 COIN BOX.
 200 OUTLET 2000 TYPE
 WITH OVERFLOW ROUTEING FAC.

WAS GBX 10430/1/2/3/4 MOD B. (99907) 1 11-7-73 B.S-H

AMENDMENT PARTICULARS ISSUE DATE APPD

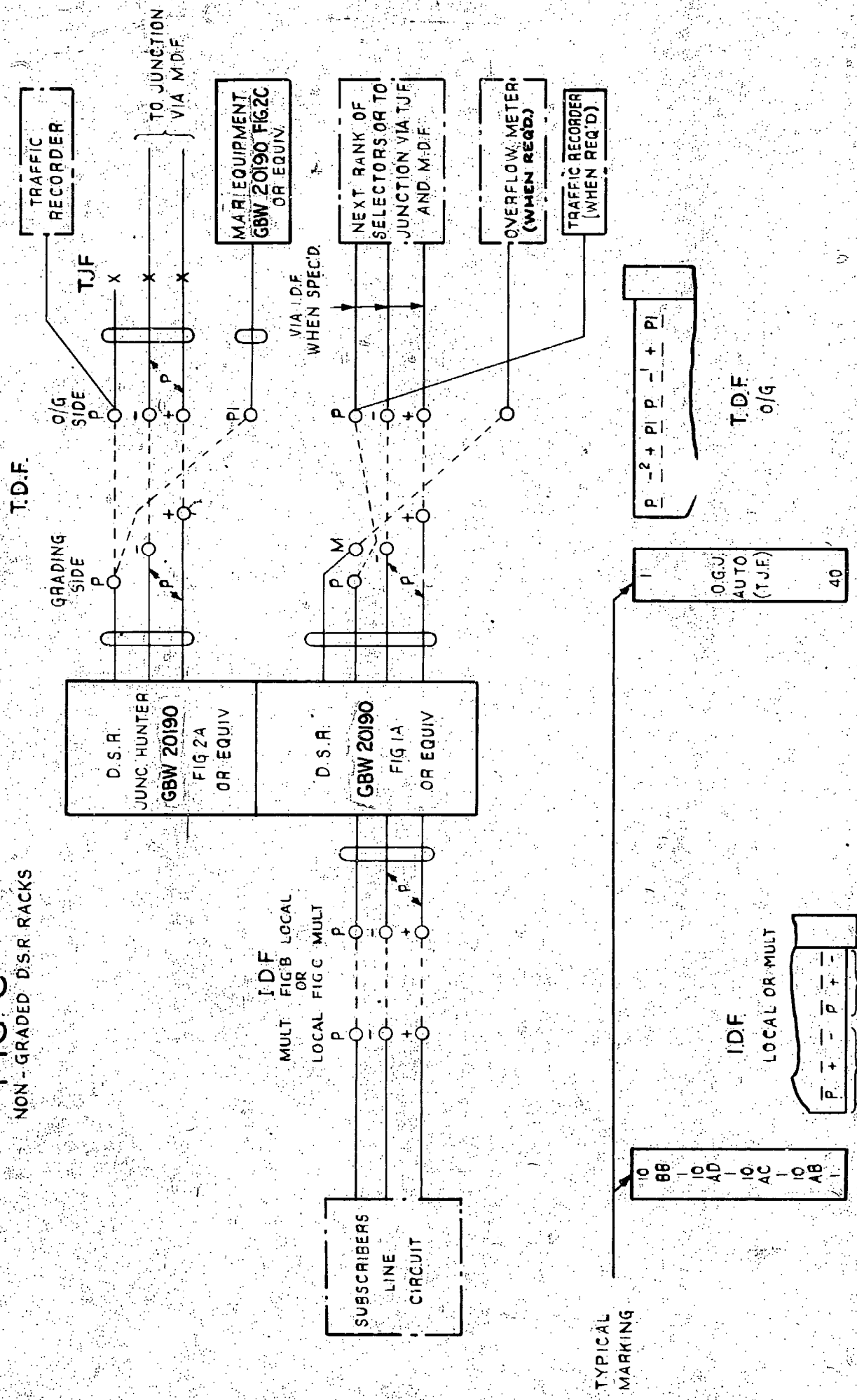
N.Z.P.O.

DRAWN CHECKED WIRING ENGIN

GBX 20190 20193
 20191 20194
 20192

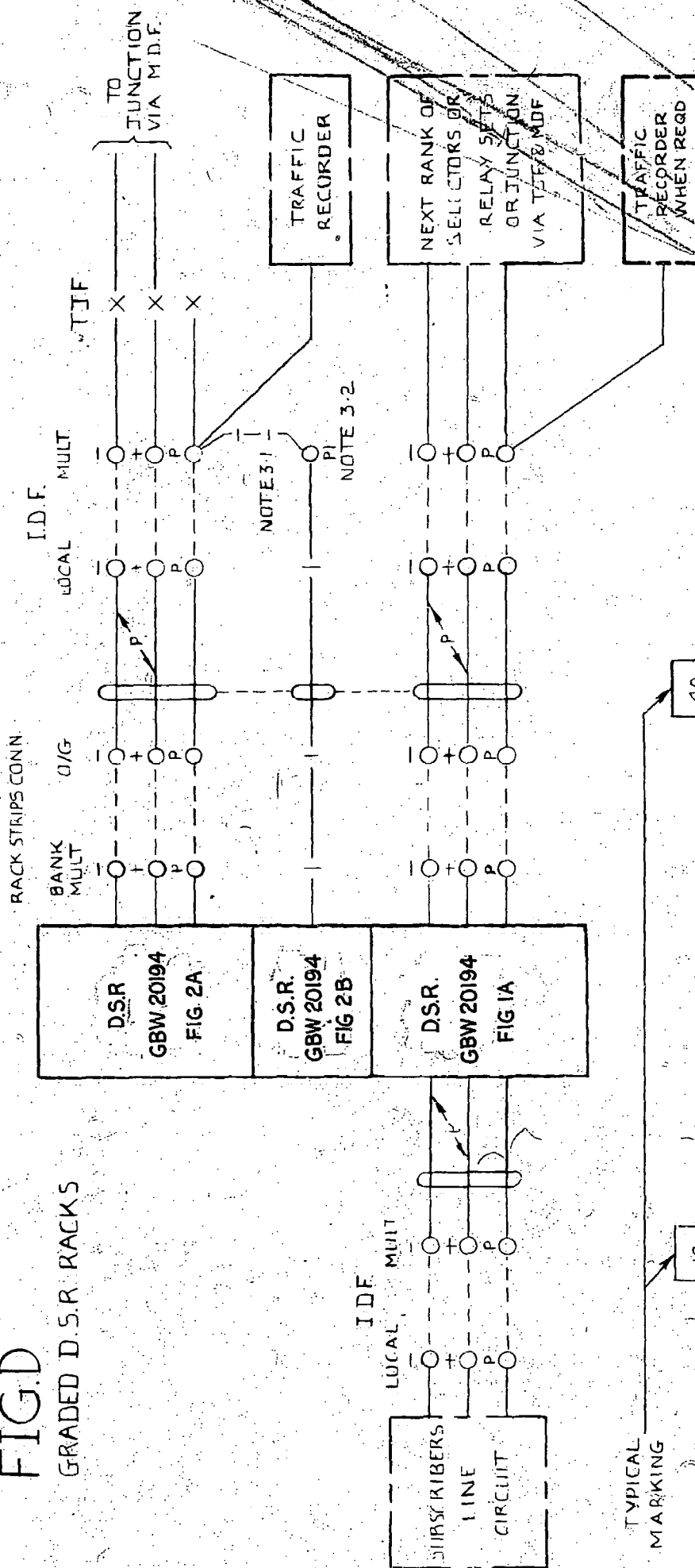
SHEET 1-4

FIG. B NOT TO BE USED FOR NEW EXCHANGES
FIG. C
 NON-GRADED D.S.R. RACKS



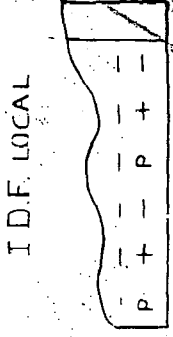
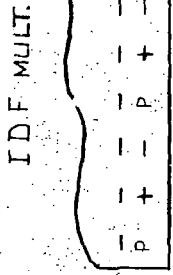
					DISCRIMINATING SELECTOR REPEATER				
					COIN BOX				
					200 OUTLET 2000TYPE				
					WITH OVERFLOW ROUTING FACILITY				
WAS GBW 10430/1/2/3/4/ MOD B (99907)			1	11-7-73	B.S-H				
AMENDMENT PARTICULARS			ISSUE	DATE	APP'D				
N.Z.P.O.			DRAWN	CHECKED	WIRING	CIRCUIT	20190 20193 GBX 20191 20194 20192		SHEET 2-4

FIG. D
GRADED D.S.R. RACKS



TYPICAL MARKING

10 BB — 10 AD — 10 AC — 10 AB —



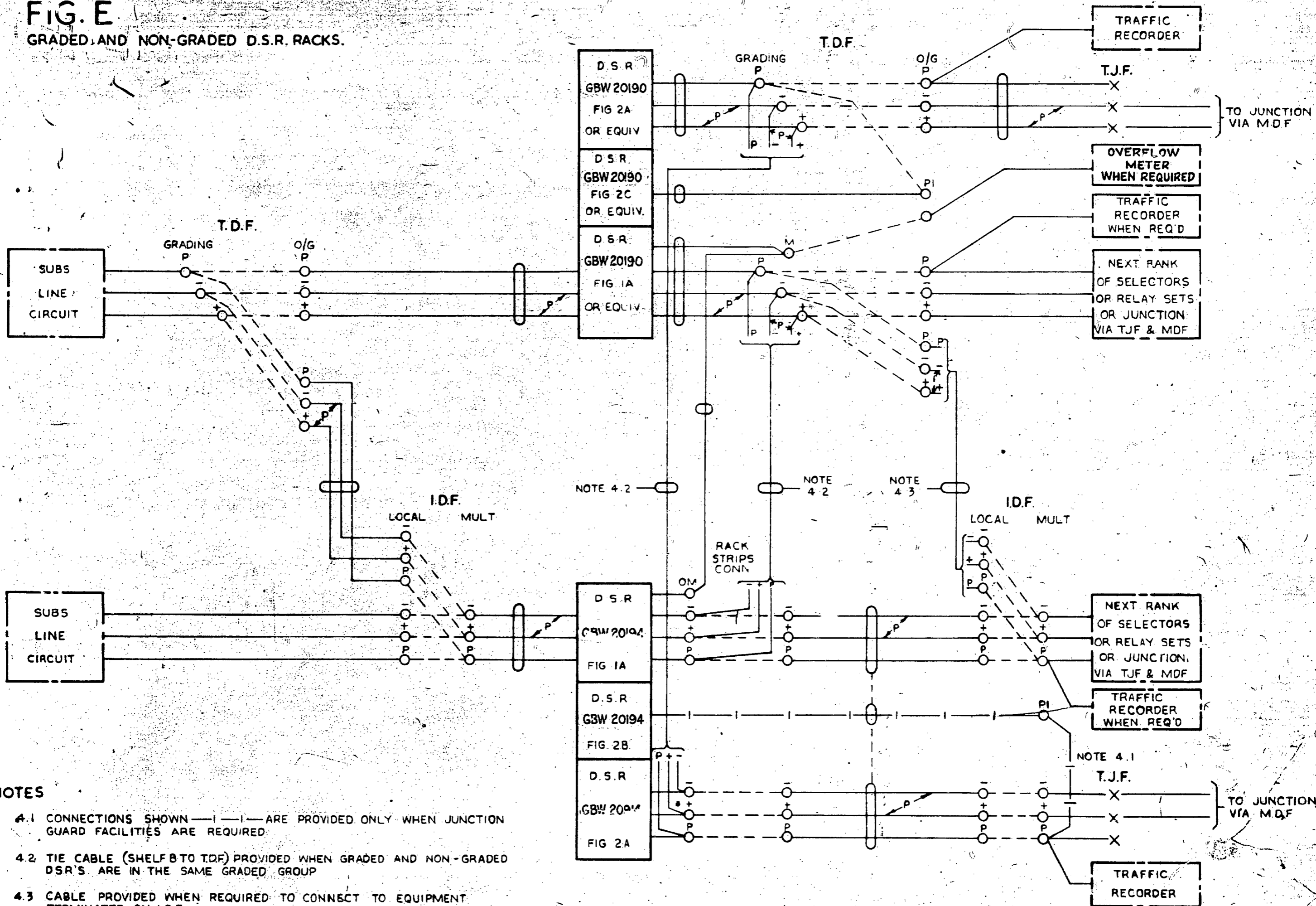
NOTES:

- 3:1 CONNECTIONS SHOWN — 1 — 1 — ARE PROVIDED ONLY WHEN JUNCTION GUARD FACILITIES ARE REQUIRED.
- 3:2 FOR MARKING OF THIS BLOCK SEE GBX 11070 FIG. 7 OR EQUIVALENT.

DISCRIMINATING SELECTOR REPEATER				
COIN BOX				
200 OUTLET 2000 TYPE				
WITH OVERFLOW ROUTING FACILITY				
WAS GBX 10430/1/2/3/4 (99907)		1	11-7-73	B.S.H.
AMENDMENT PARTICULARS		ISSUE	DATE	APP'D
N.Z.P.O.	DRAWN <i>My</i>	CHECKED	WIRING	CIRCUIT
GBX 20190		20193		SHEET 3-4
20191		20194		
20192				

FIG. E

GRADED AND NON-GRADED D.S.R. RACKS.



- NOTES**
- 4.1 CONNECTIONS SHOWN — | — | — ARE PROVIDED ONLY WHEN JUNCTION GUARD FACILITIES ARE REQUIRED.
 - 4.2 TIE CABLE (SHELF B TO T.D.F.) PROVIDED WHEN GRADED AND NON-GRADED D.S.R.'S ARE IN THE SAME GRADED GROUP
 - 4.3 CABLE PROVIDED WHEN REQUIRED TO CONNECT TO EQUIPMENT TERMINATED ON I.D.F.
 - 4.4 I.D.F. & T.D.F. BLOCK LAYOUTS & MARKING AS ON SHEETS 12 & 13 AS APPLICABLE

				DISCRIMINATING SELECTOR REPEATER COIN BOX 200 OUTLET 2000 TYPE WITH OVERFLOW ROUTING FAC.			
WAS. GBX 20190/1/2/3 MOD B (99907)				1	11-7-73	BS-H	E
AMENDMENT PARTICULARS				ISSUE	DATE	APPD	
N.Z.P.O.		CHECKED	DRAWN	WIRING	CIRCUIT	GBX 20190 20193 20191 20194 20192	
							SHEET 4-4