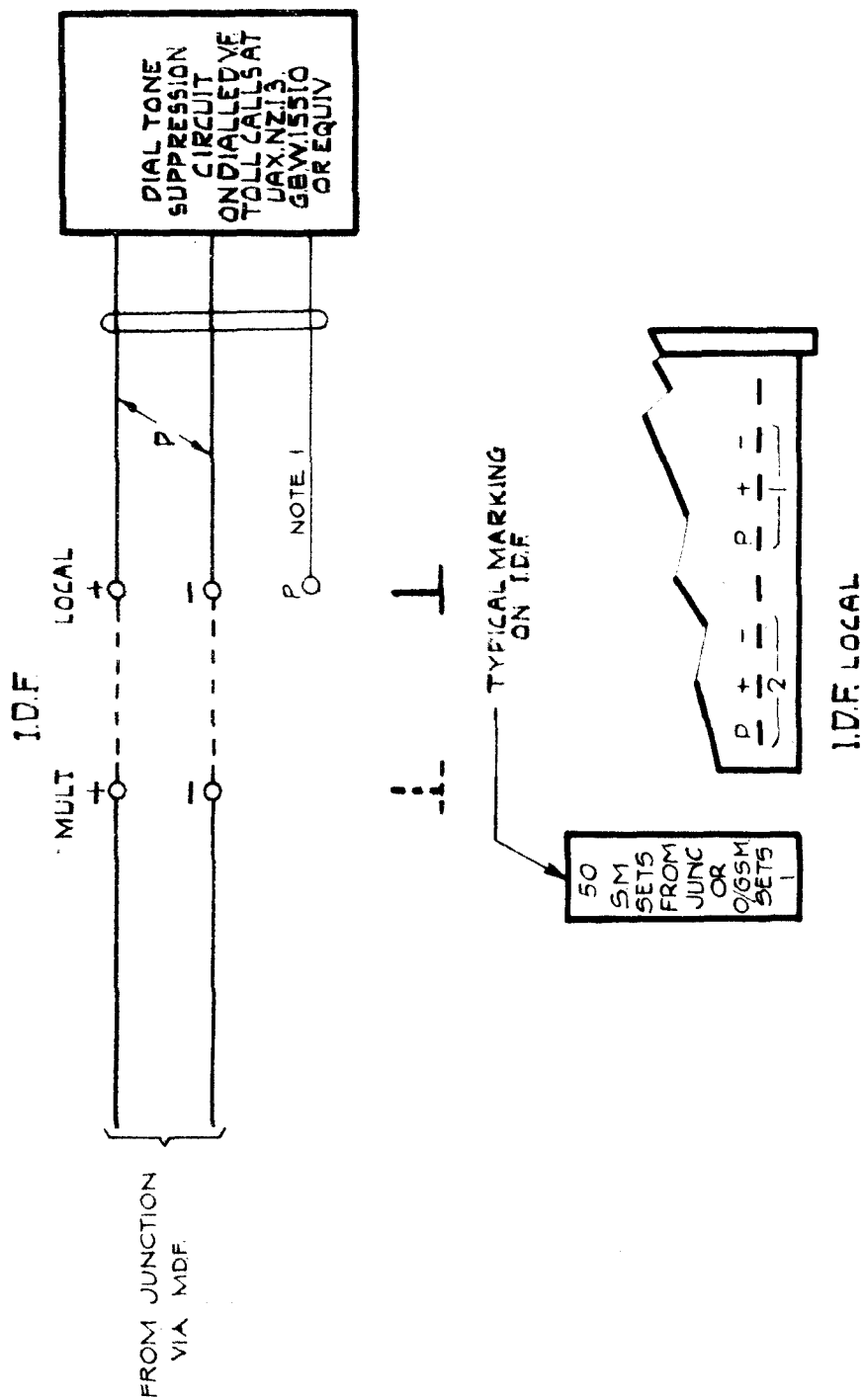


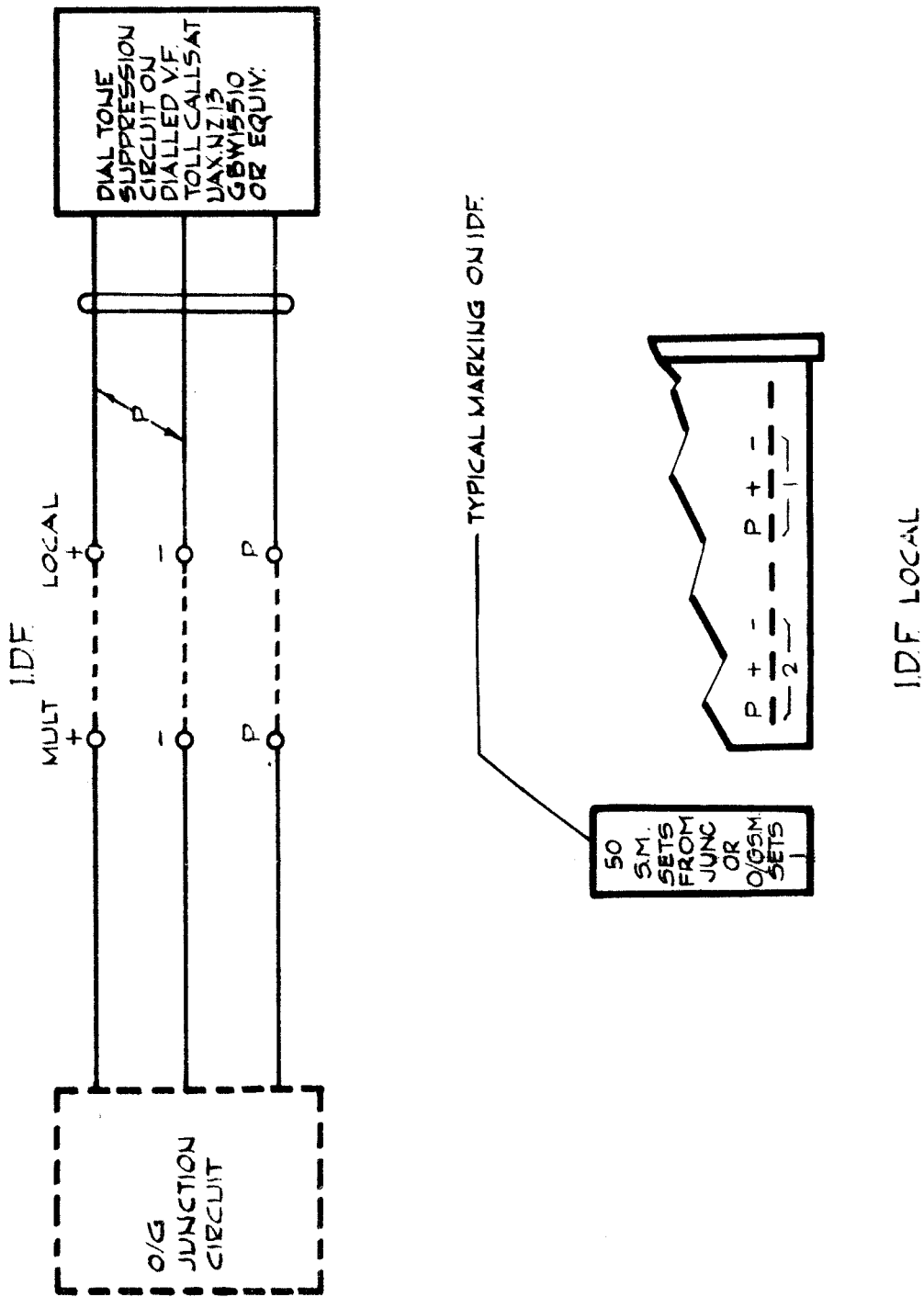
FIG. A UNIDIRECTIONAL JUNCTIONS



NOTES:-
1) PRIOR TO ISSUE 'P' LEAD WAS NOT CABLED

DT SUPN.	(66408)	4	22 2 63	DBX	DIAL TONE SUPPRESSION CIRCUIT ON DIALLED V.F. TOLL CALLS AT UAX.NZ.13 GBX15510
REDRAWN T BLOCK WAS 6x20. FACE MKG WAS					
'P' LEAD CABLING & NOTE 1 ADDED	(63408)	3	15 6 62	AK	
REF VIA M.D.F. WAS NOT SHOWN.	(35395)	2	30 11 60	AK	
	(35551)	1	16 11 60.	AK	
AMENDMENT PARTICULARS		ISSUE	DATE	APPD	REF:—
N.Z.P.O.		DRAWN REC	CHECKED NL/22-5-58	WIRING —	CIRCUIT
					SHEET 1-2

FIG.B. BOTHWAY JUNCTIONS



				DIAL TONE SUPPRESSION CCT.			
				ON DIALLED V.F. TOLL			
				CALLS AT UAX.N.Z.13			
		(66408)	4	22 2 63	DBK		
T/BLOCK WAS 6x20 FACE MKG WAS DT SUPN.		(63408)	3	15 6 62			
AMENDMENT PARTICULARS			ISSUE	DATE	APP		
				GBX 15510			
N.Z.P.O.		DRAWN	CHECKED	WIRING	CIRCUIT	SHEET 2-2	